



US00D708503S

(12) **United States Design Patent**  
**Tiberghien et al.**

(10) **Patent No.:** **US D708,503 S**

(45) **Date of Patent:** **\*\* Jul. 8, 2014**

(54) **LOCKING-CLOSING DEVICE**

(71) Applicant: **Staubli Faverges**, Faverges (FR)

(72) Inventors: **Alain Christophe Tiberghien**, Sevrier (FR); **Philippe Guin**, Annecy (FR)

(73) Assignee: **Staubli Faverges**, Faverges (FR)

(\*\*) Term: **14 Years**

(21) Appl. No.: **29/437,871**

(22) Filed: **Nov. 21, 2012**

(30) **Foreign Application Priority Data**

May 25, 2012 (EM) ..... 002047183-0001

(51) **LOC (10) Cl.** ..... **08-07**

(52) **U.S. Cl.**  
USPC ..... **D8/330; D8/343**

(58) **Field of Classification Search**  
USPC ..... D8/330, 331, 336, 338, 341, 343, 349,  
D8/499, 59; 70/57, 57.1, 262, 266, 416,  
70/465, 460, 202, 211, 333 R; 296/503;  
220/4.26, 4.27, 7

See application file for complete search history.

(56) **References Cited**

**U.S. PATENT DOCUMENTS**

3,955,842 A \* 5/1976 Edwards ..... 292/307 R  
4,491,289 A \* 1/1985 Rinn et al. .... 244/172.9  
5,516,187 A \* 5/1996 Zani et al. .... 296/223  
5,898,015 A \* 4/1999 Yokoi et al. .... 502/414

6,388,213 B1 \* 5/2002 Letient et al. .... 200/43.15  
6,727,441 B2 \* 4/2004 Benda ..... 200/43.15  
D523,732 S \* 6/2006 Farrar et al. .... D8/346  
7,331,203 B2 \* 2/2008 Lee ..... 70/14  
D564,337 S \* 3/2008 Brojanac et al. .... D8/330  
D564,859 S \* 3/2008 Brojanac et al. .... D8/330  
D620,340 S \* 7/2010 Liljeqvist et al. .... D8/330

**OTHER PUBLICATIONS**

Stäubli; RMI Multi-couplings Control; Centralised connections for greater implementation speed; dated Dec. 2011.

\* cited by examiner

*Primary Examiner* — Prabhakar Deshmukh

(74) *Attorney, Agent, or Firm* — Douglas E. Jackson; Stites & Harbison PLLC

(57) **CLAIM**

The ornamental design for a locking-closing device, as shown and described.

**DESCRIPTION**

FIG. 1 is a front, top and right side perspective view of a locking-closing device showing the new design with a coupling plate and receiving plate shown in broken lines.

FIG. 2 is a top view thereof.

FIG. 3 is a left side view thereof.

FIG. 4 is a right side view thereof.

FIG. 5 is a front view thereof.

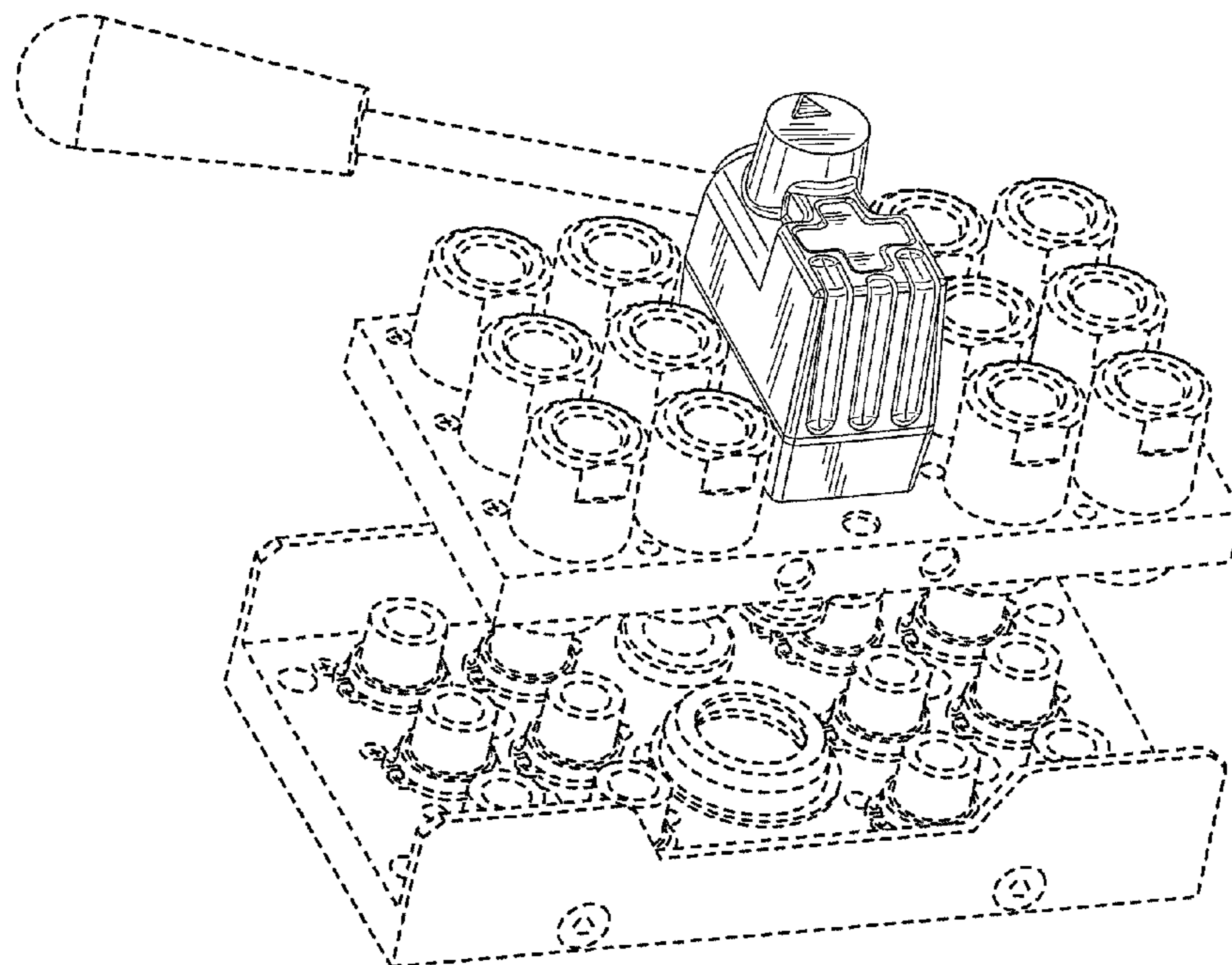
FIG. 6 is rear view thereof; and,

FIG. 7 is a bottom view thereof.

The broken lines in FIG. 1 depict plates that form no part of the claimed design.

The broken lines in FIGS. 2, 6 and 7 depict flow or control passages that form no part of the claimed design.

**1 Claim, 7 Drawing Sheets**



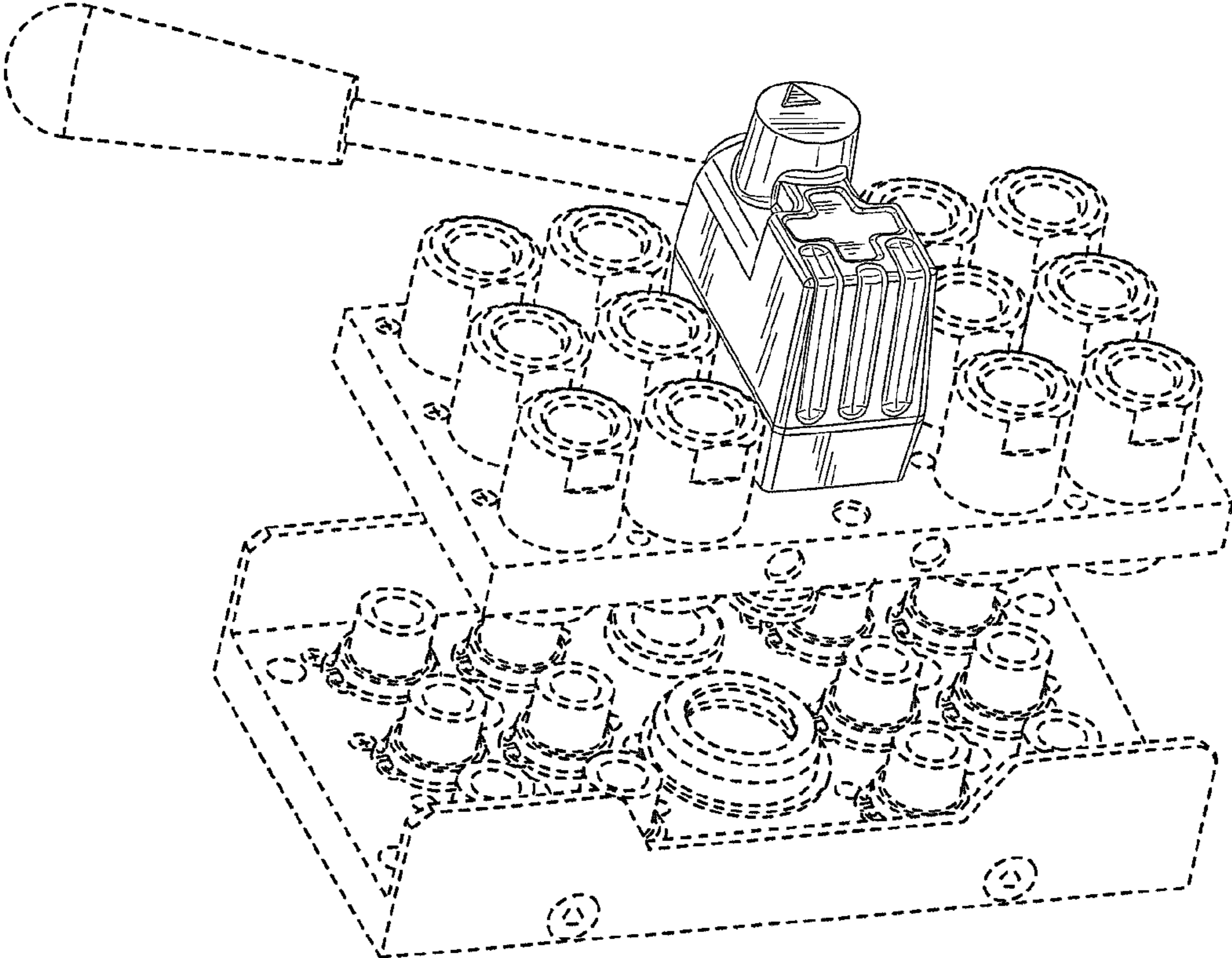


FIG. 1

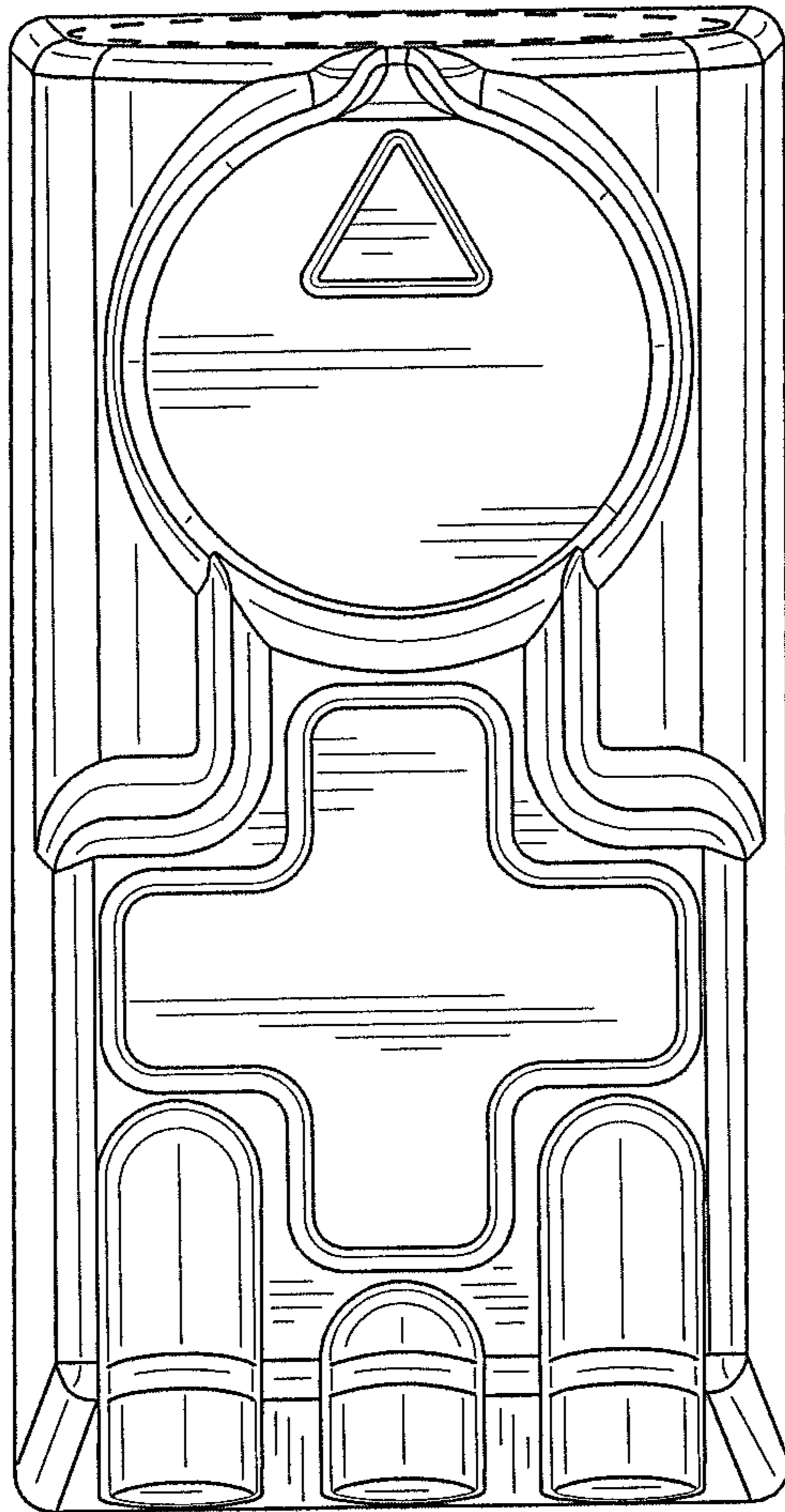


FIG. 2

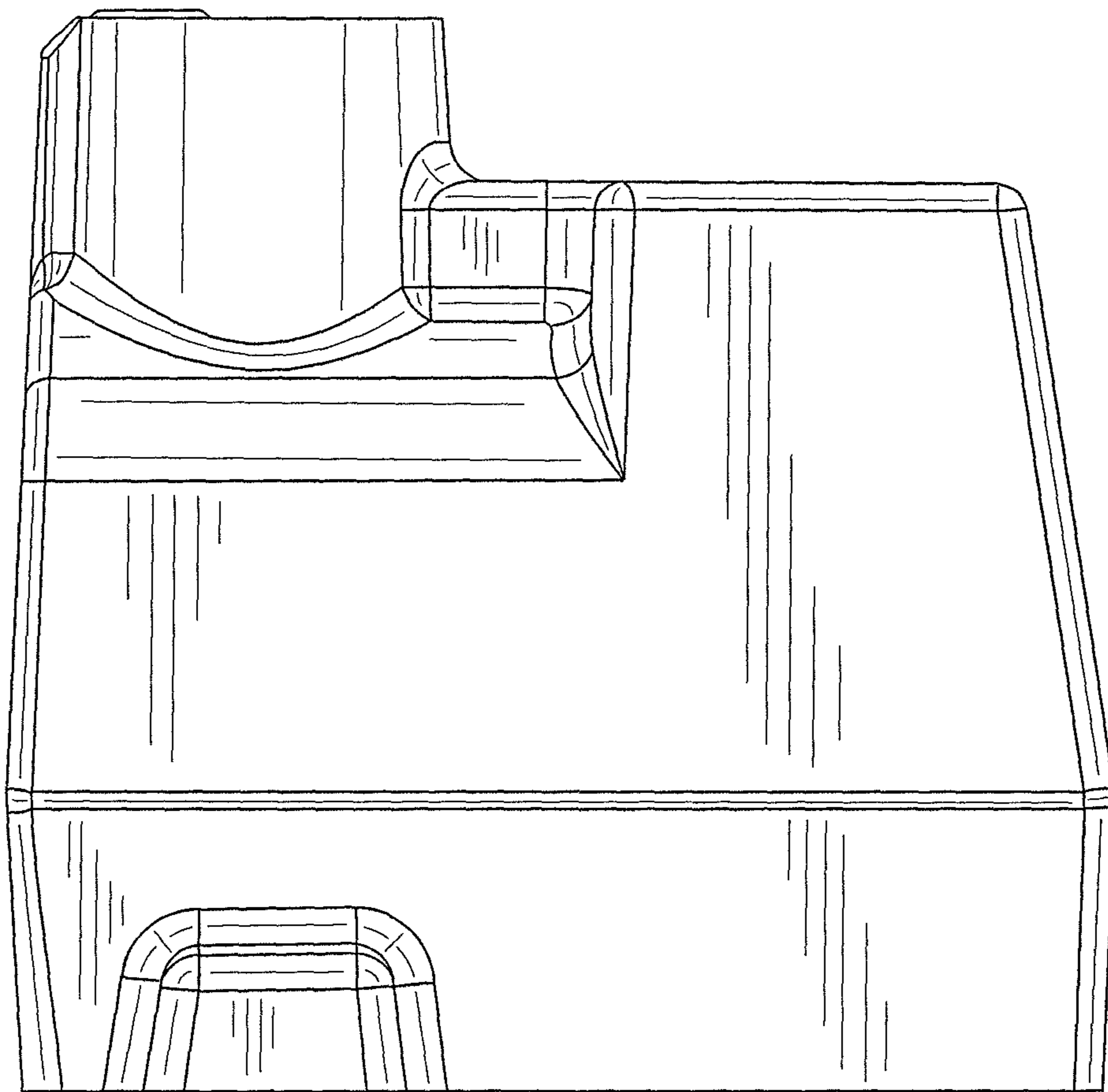


FIG. 3



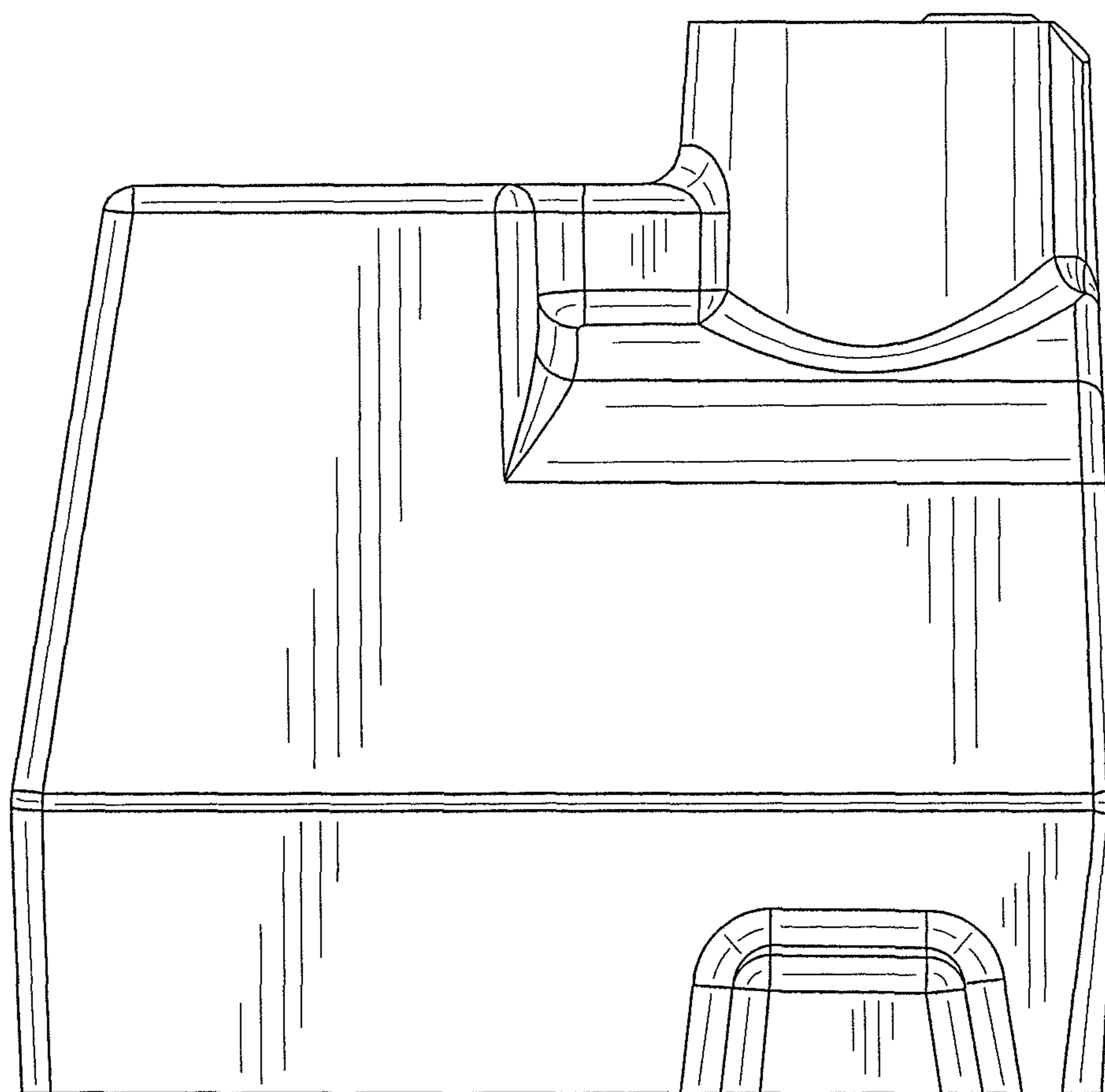


FIG. 4

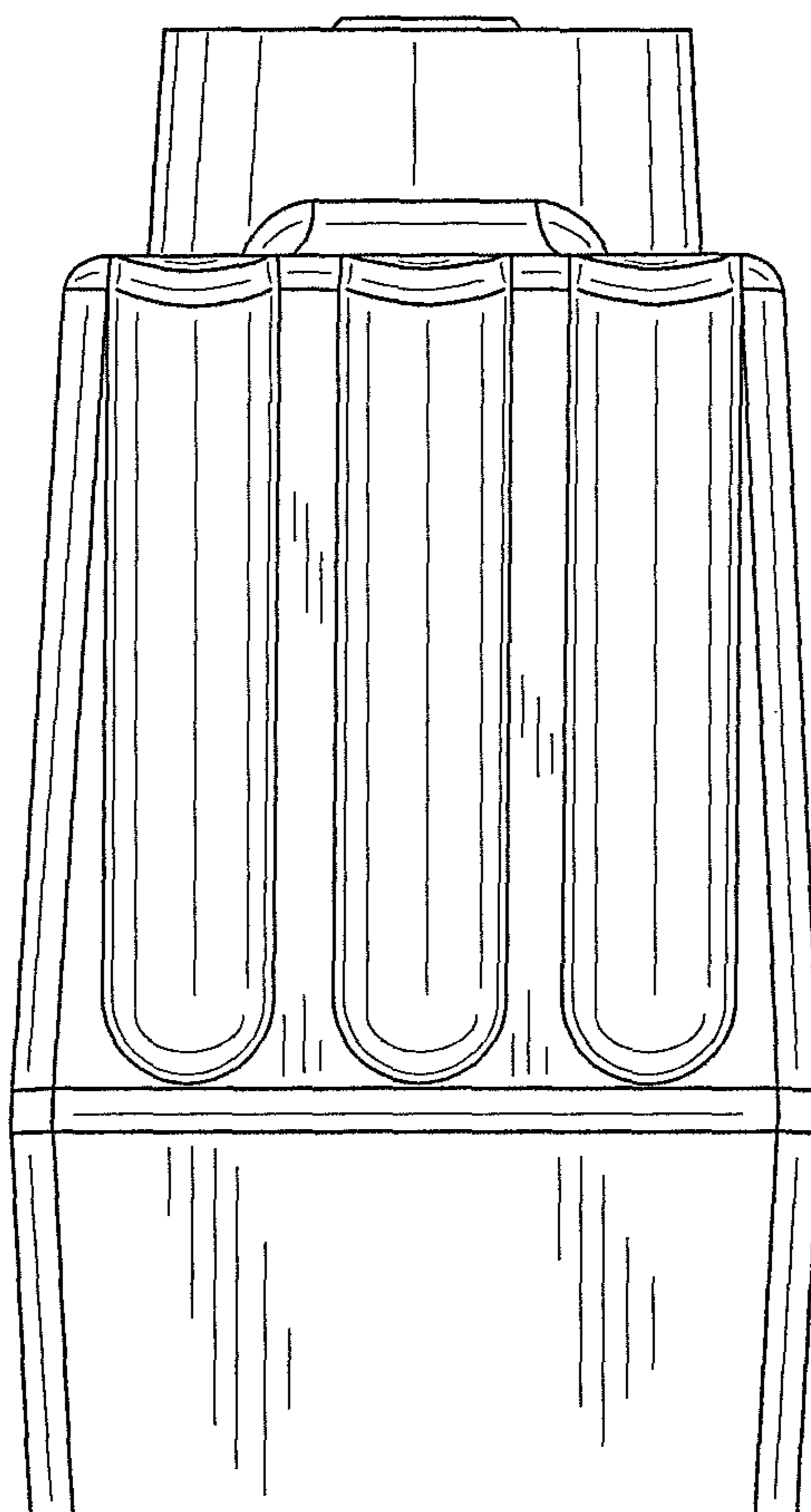


FIG. 5

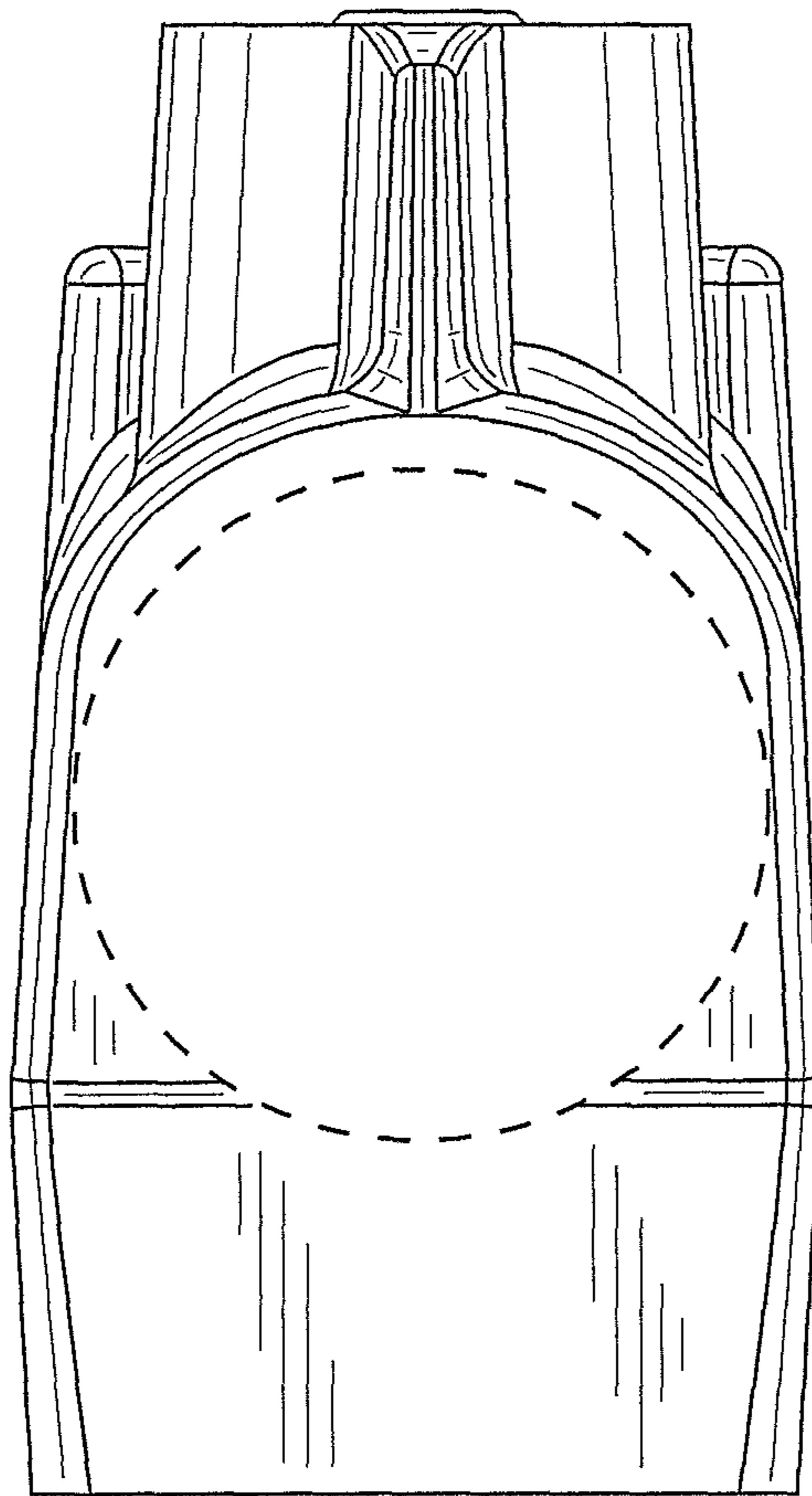


FIG. 6

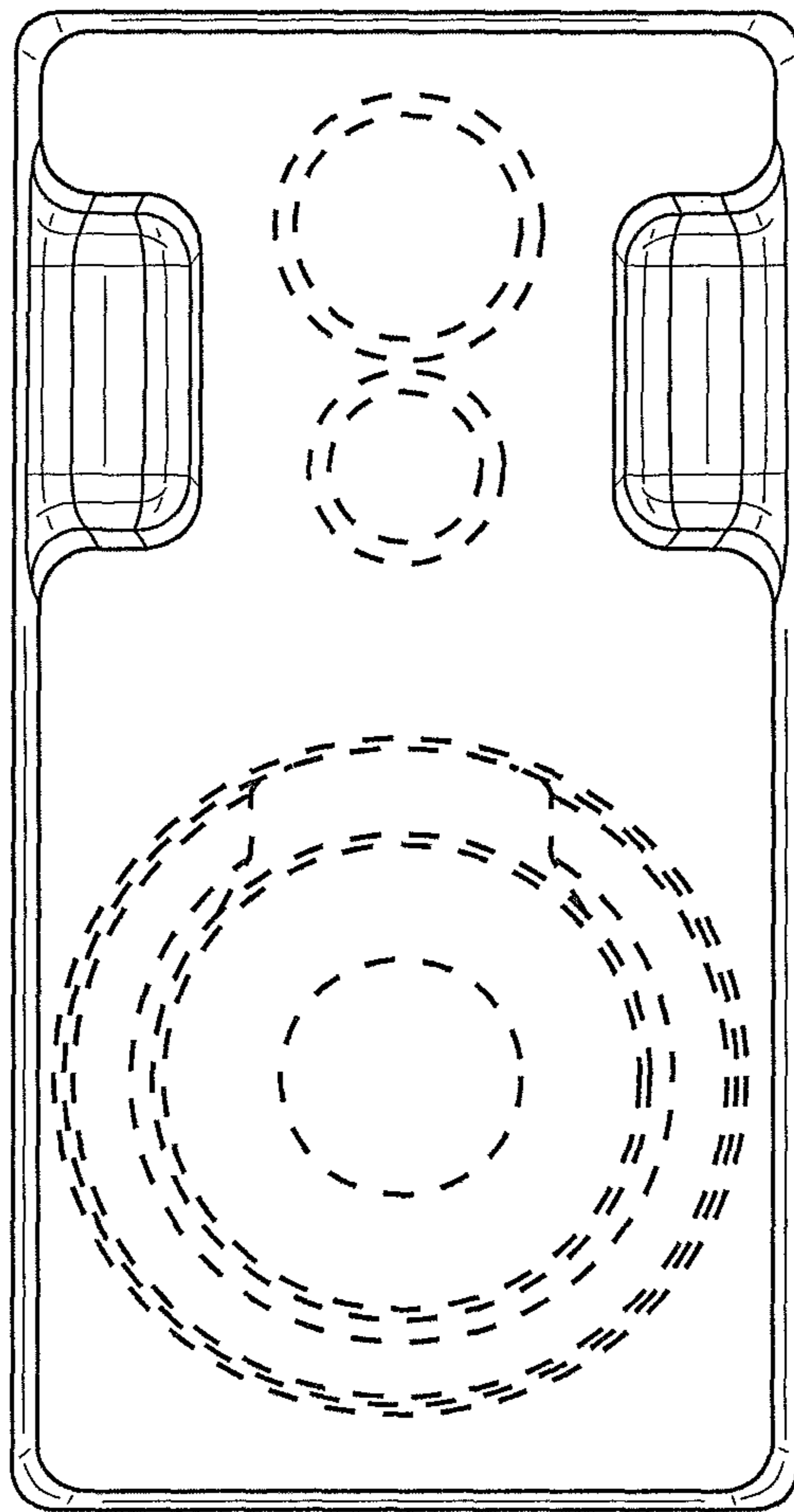


FIG. 7