



US00D708500S

(12) **United States Design Patent**
Sweeney

(10) **Patent No.:** **US D708,500 S**
(45) **Date of Patent:** **** Jul. 8, 2014**

(54) **PLANE**

OTHER PUBLICATIONS

(75) Inventor: **Stephen James Sweeney**, Grays (GB)
(73) Assignee: **Power AdhesivessLimited**, Essex (GB)
(**) Term: **14 Years**

Flush Blade Plane (Mouseplane). Downloaded from <http://news.thomasnet.com/fullstory/Flush-Blade-Plane-enables-trimming-of-glue-lines-w...> Dec. 28, 2012.*

* cited by examiner

(21) Appl. No.: **29/373,086**
(22) Filed: **Feb. 25, 2011**

Primary Examiner — Philip S Hyder
Assistant Examiner — Roselynn Cody
(74) *Attorney, Agent, or Firm* — Iandiorio Teska & Coleman LLP

(30) **Foreign Application Priority Data**
Aug. 27, 2010 (EP) 001232540-0001

(57) **CLAIM**
The ornamental design for a plane, as shown and described.

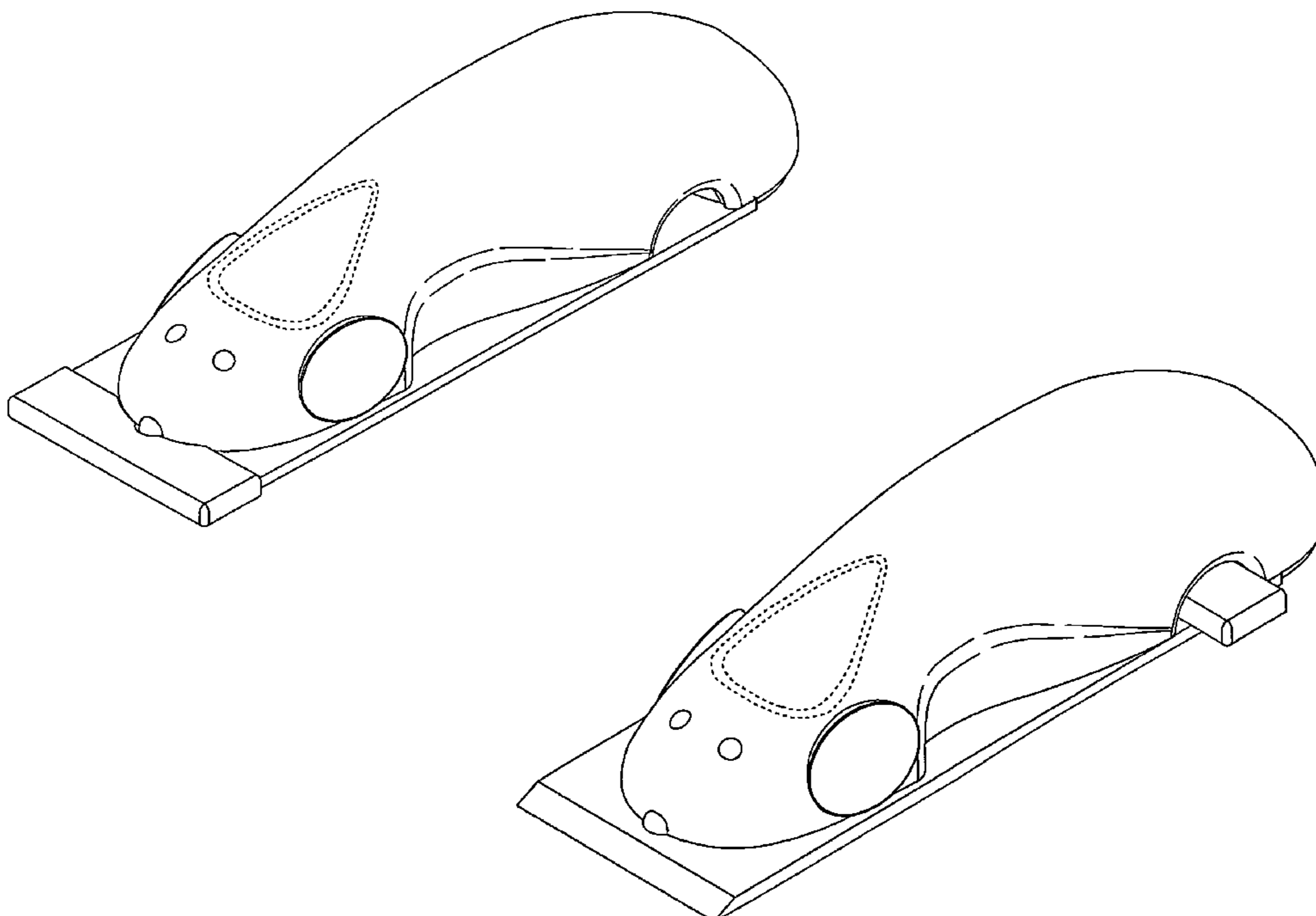
(51) **LOC (10) Cl.** **08-03**
(52) **U.S. Cl.**
USPC **D8/101**
(58) **Field of Classification Search**
USPC D8/47, 90, 98, 101, 106; D32/46,
D32/48-49; 30/478, 490
See application file for complete search history.

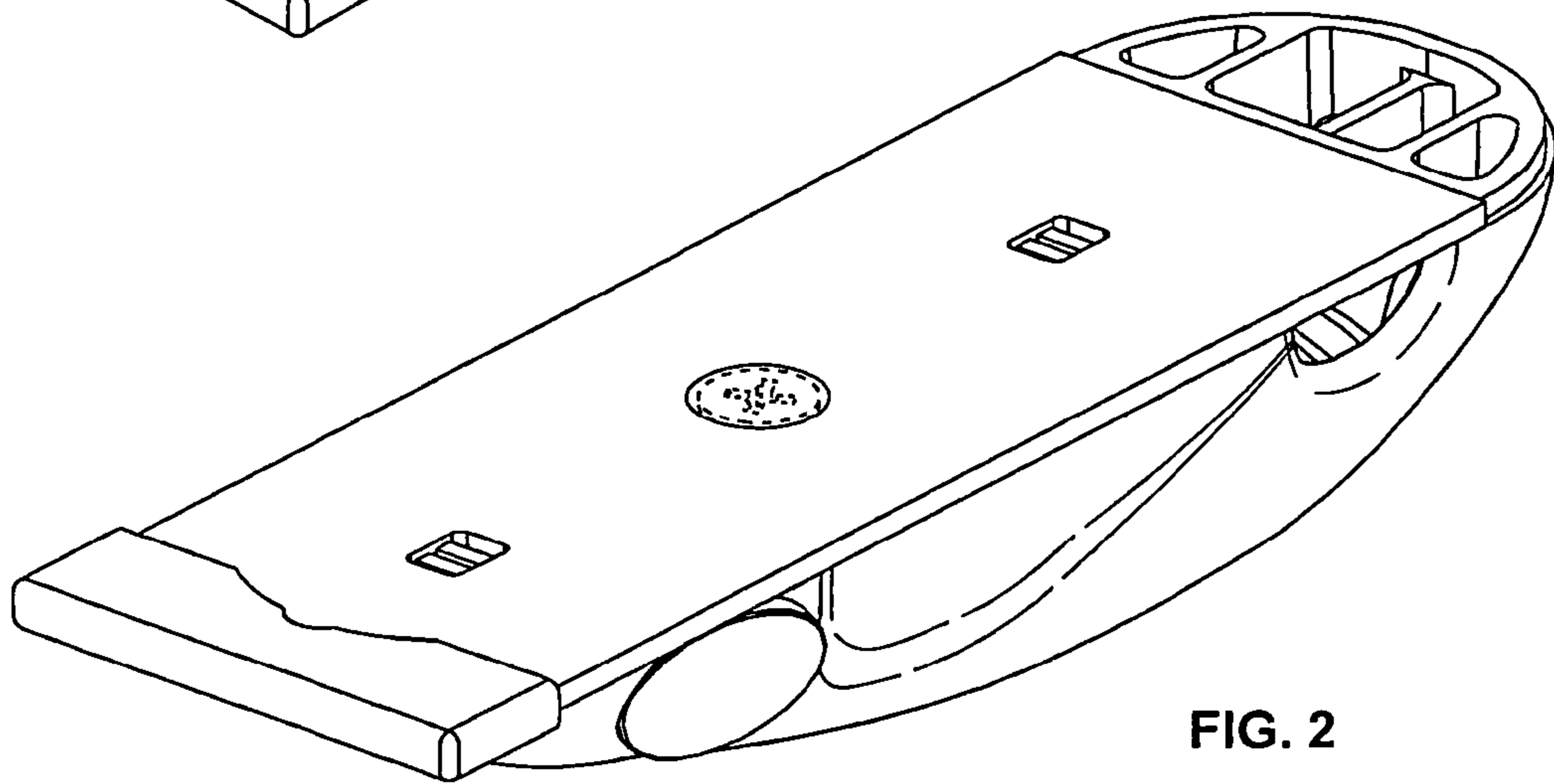
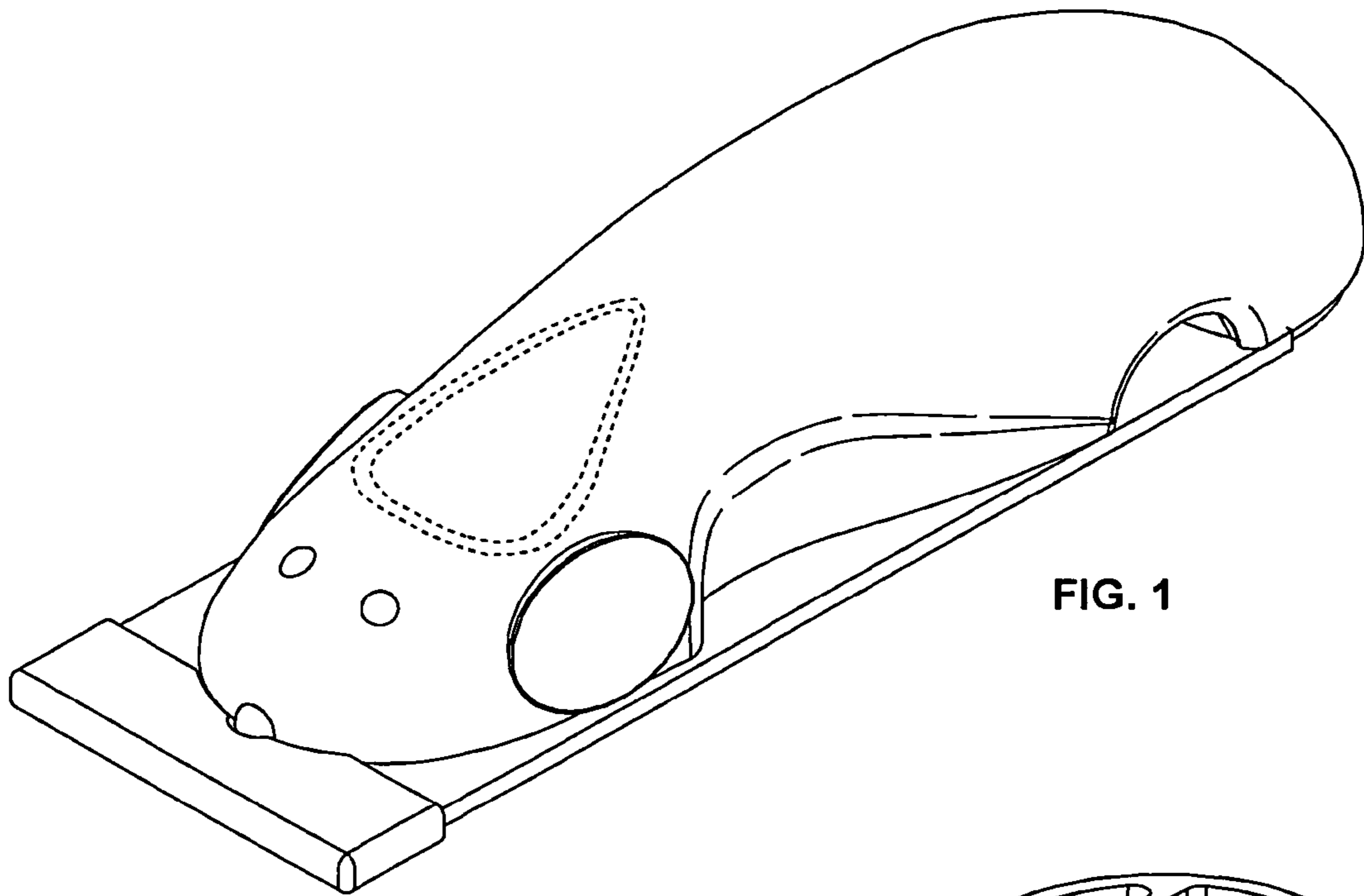
DESCRIPTION

FIG. 1 is a perspective view from above and one side showing the plane with a blade cover in place;
FIG. 2 is a perspective view thereof from below and the other side;
FIG. 3 is a top plan view thereof;
FIG. 4 is an end view thereof from left to right as viewed in FIG. 3;
FIG. 5 is an end view thereof from right to left as viewed in FIG. 3;
FIG. 6 is a side view thereof;
FIG. 7 is an exploded view thereof;
FIG. 8 is a view from above and one side showing the blade cover removed and stored; and,
FIG. 9 is a view from underneath one side with the blade cover removed showing a first stage in rotating the bottom plate from a use position to a storage position.
The dashed lines in the drawings are directed to features of the plane that form no part of the claim.

(56) **References Cited**
U.S. PATENT DOCUMENTS
180,867 A * 8/1876 Gorham 30/478
D141,110 S * 5/1945 Doniger D8/101
D371,948 S * 7/1996 Liu D8/90
D374,437 S * 10/1996 Pekelney et al. D14/408
D435,777 S * 1/2001 Jones et al. D8/101
D478,351 S * 8/2003 Belton et al. D19/53
D487,745 S * 3/2004 Morisawa D14/408
D581,415 S * 11/2008 Hengel et al. D14/402
D612,701 S * 3/2010 Jones D8/101

1 Claim, 5 Drawing Sheets





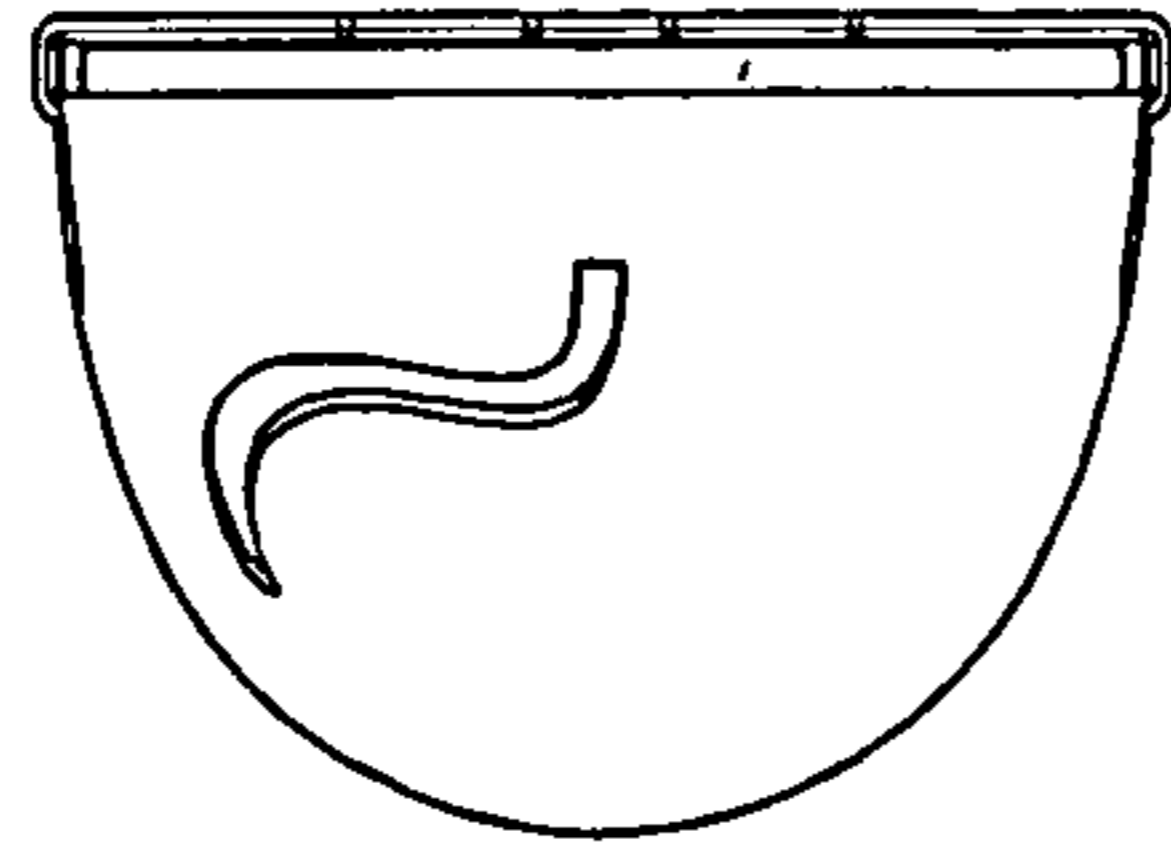


FIG. 5

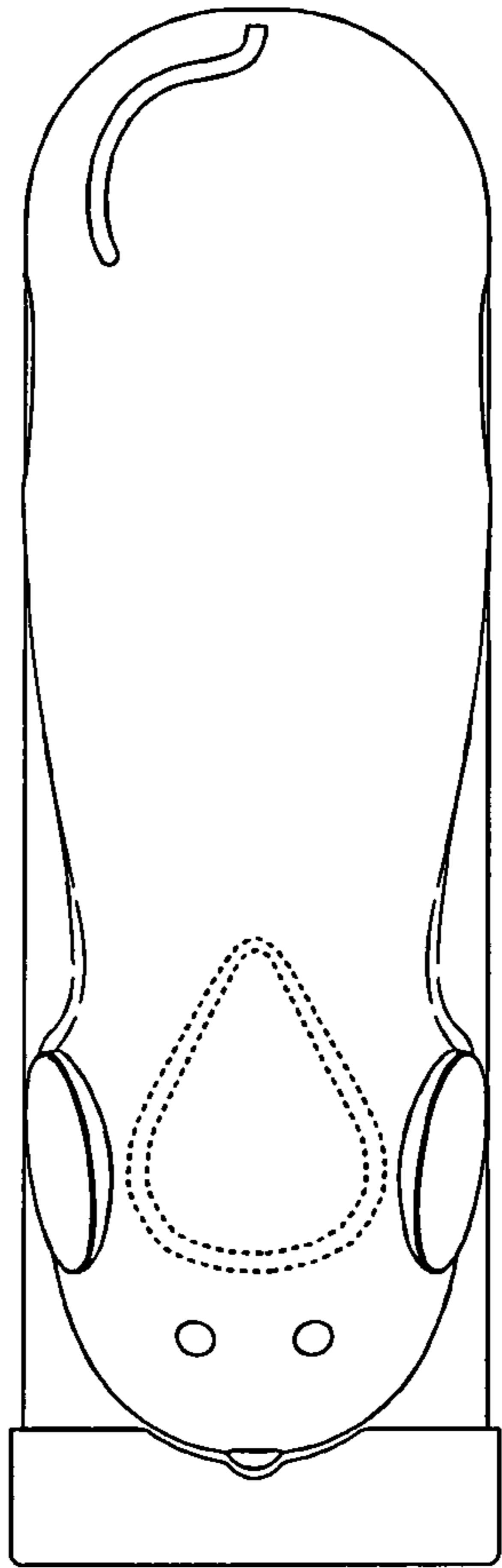


FIG. 3

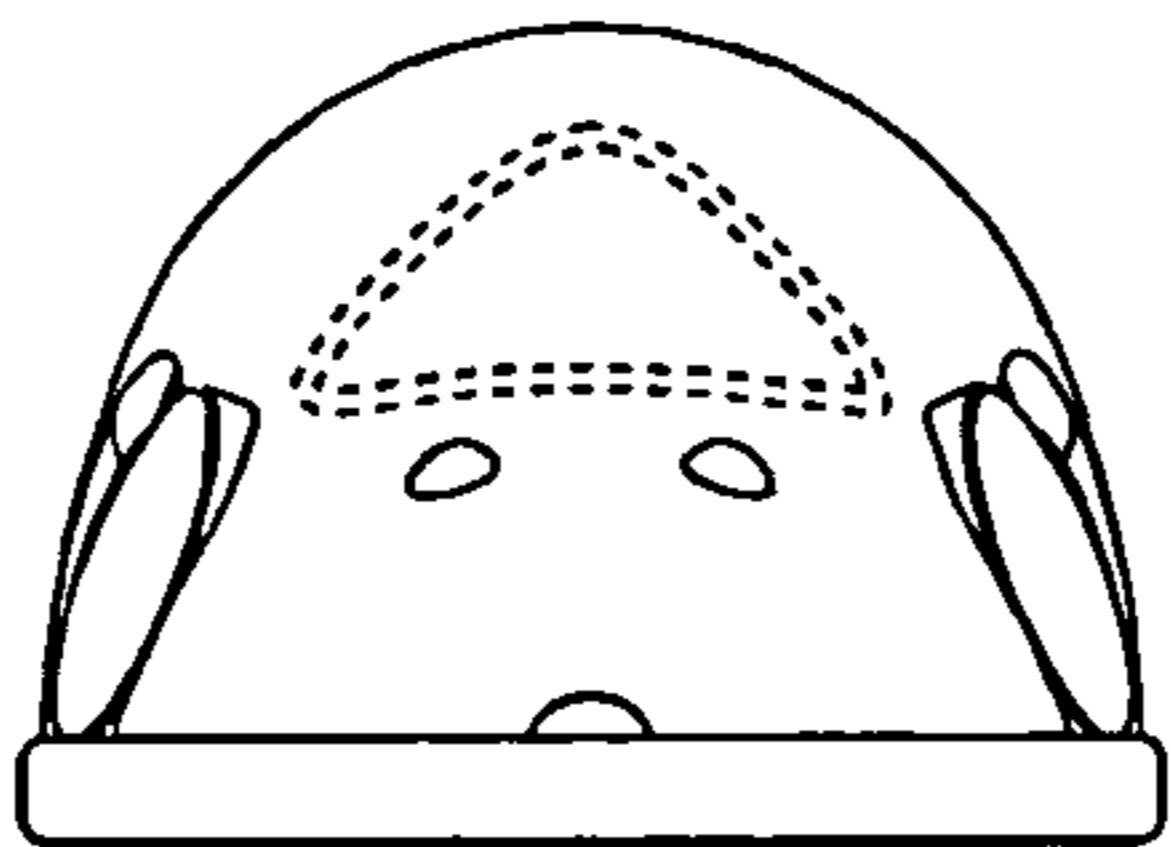


FIG. 4

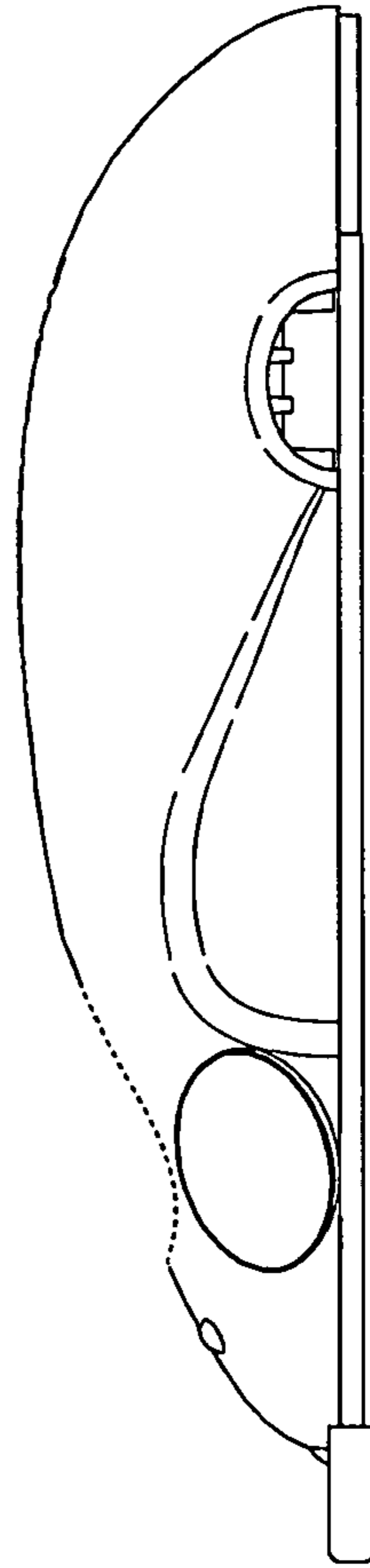


FIG. 6

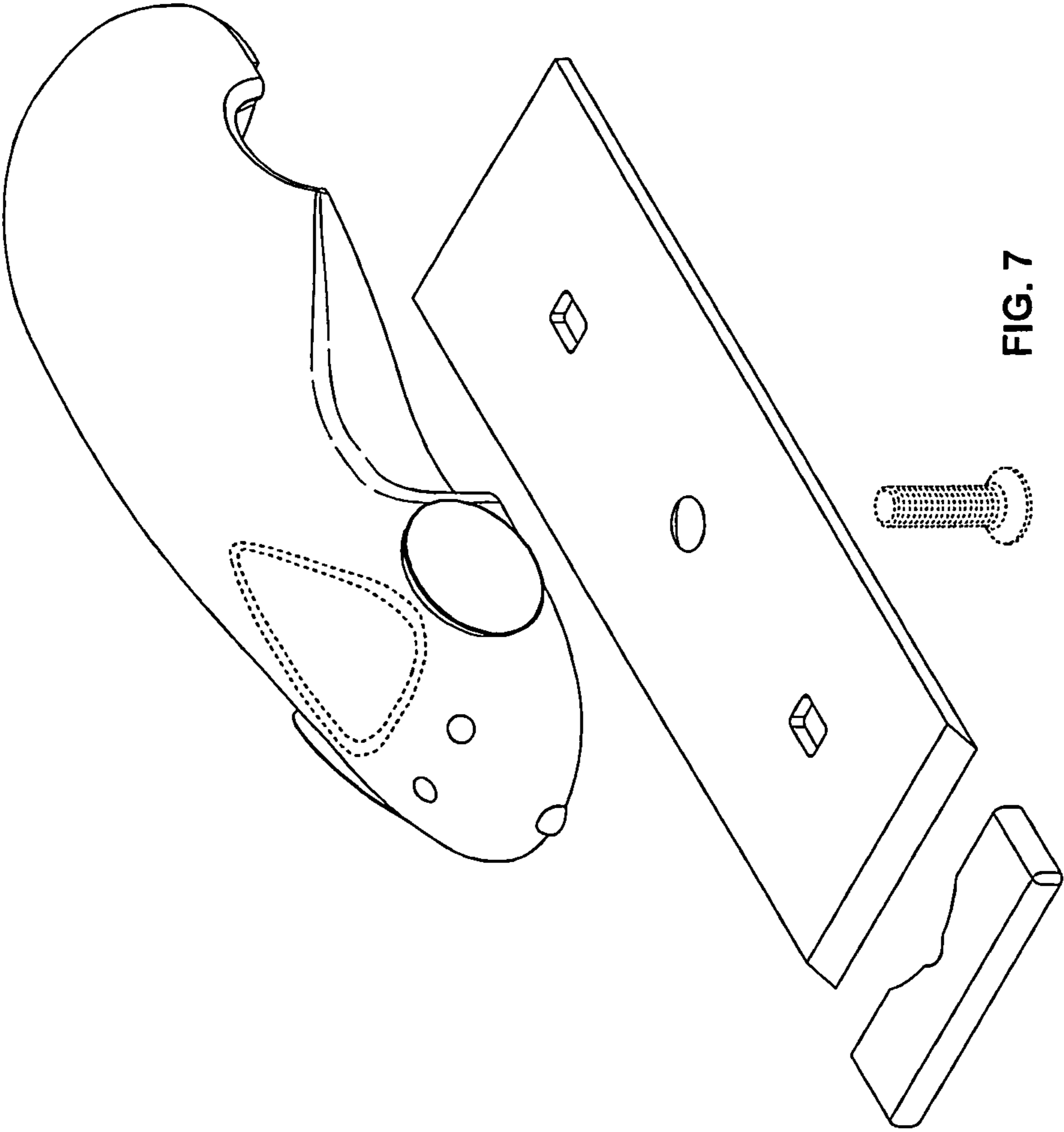


FIG. 7

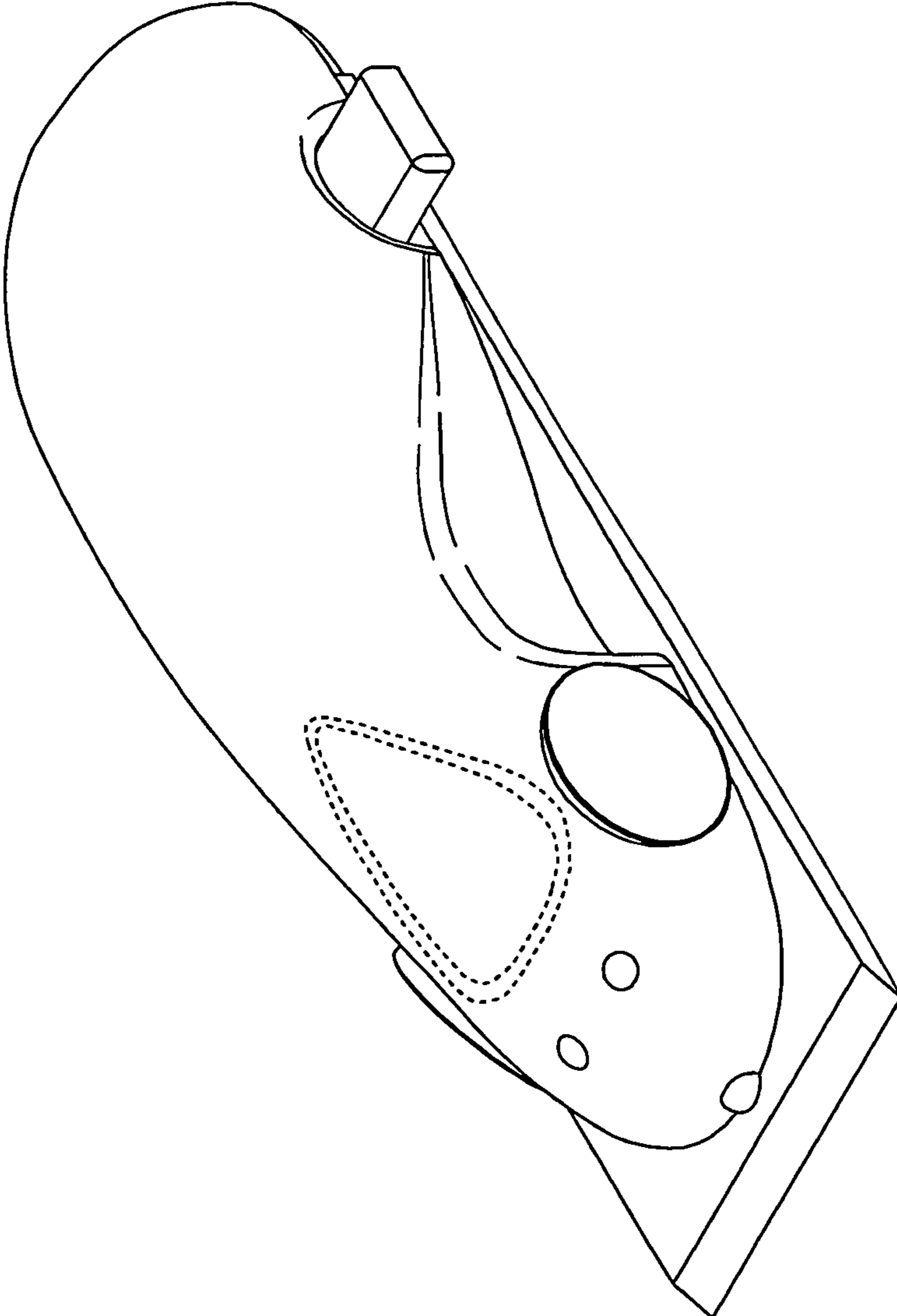


FIG. 8

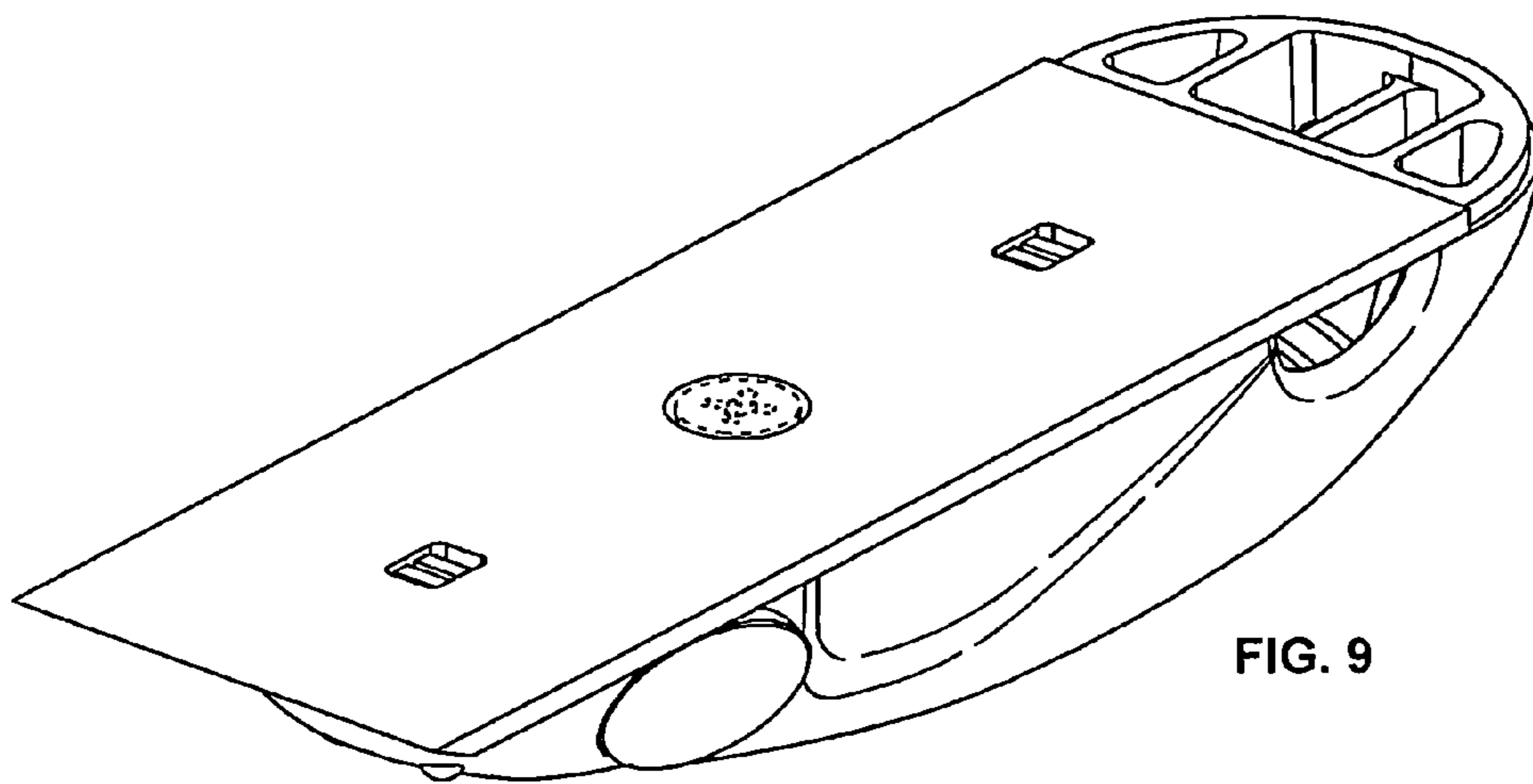


FIG. 9

UNITED STATES PATENT AND TRADEMARK OFFICE
CERTIFICATE OF CORRECTION

PATENT NO. : D708,500 S
APPLICATION NO. : 29/373086
DATED : July 8, 2014
INVENTOR(S) : Stephen James Sweeney

Page 1 of 1

It is certified that error appears in the above-identified patent and that said Letters Patent is hereby corrected as shown below:

On the title page item (73) "Assignee: Power AdhesivessLimited" should read
--Assignee: Power Adhesives Limited--.

Signed and Sealed this
Seventeenth Day of March, 2015



Michelle K. Lee
Director of the United States Patent and Trademark Office