



US00D708498S

(12) **United States Design Patent**
Moren

(10) **Patent No.:** **US D708,498 S**

(45) **Date of Patent:** **** Jul. 8, 2014**

(54) **HAMMER WITH NOTCHED PICK**

(76) Inventor: **Christopher R. Moren**, Austin, TX
(US)

(**) Term: **14 Years**

(21) Appl. No.: **29/373,948**

(22) Filed: **Jun. 14, 2011**

(51) **LOC (10) Cl.** **08-02**

(52) **U.S. Cl.**
USPC **D8/78; D8/81**

(58) **Field of Classification Search**
USPC D8/75, 76, 78, 81; 7/116, 145-146
See application file for complete search history.

(56) **References Cited**

U.S. PATENT DOCUMENTS

97,715	A *	12/1869	Smith	7/146
418,541	A *	12/1889	Stewart	7/146
2,938,412	A *	5/1960	Walker	72/479
D289,887	S *	5/1987	Thomas	D8/75

5,507,051	A *	4/1996	Mazon	7/116
5,865,425	A *	2/1999	Meadows	254/131
D620,776	S *	8/2010	Prachthausen	D8/81

* cited by examiner

Primary Examiner — Philip S Hyder

Assistant Examiner — Roselynn Cody

(74) *Attorney, Agent, or Firm* — Albert O. Cota

(57) **CLAIM**

The ornamental design for a hammer with notched pick, as shown and described.

DESCRIPTION

FIG. 1 is a left side elevational view of a hammer with notched pick showing my new design. The right side elevational view being a mirror image.

FIG. 2 is a rear orthographic view of the hammer and notched pick thereof;

FIG. 3 is a top plan view thereof;

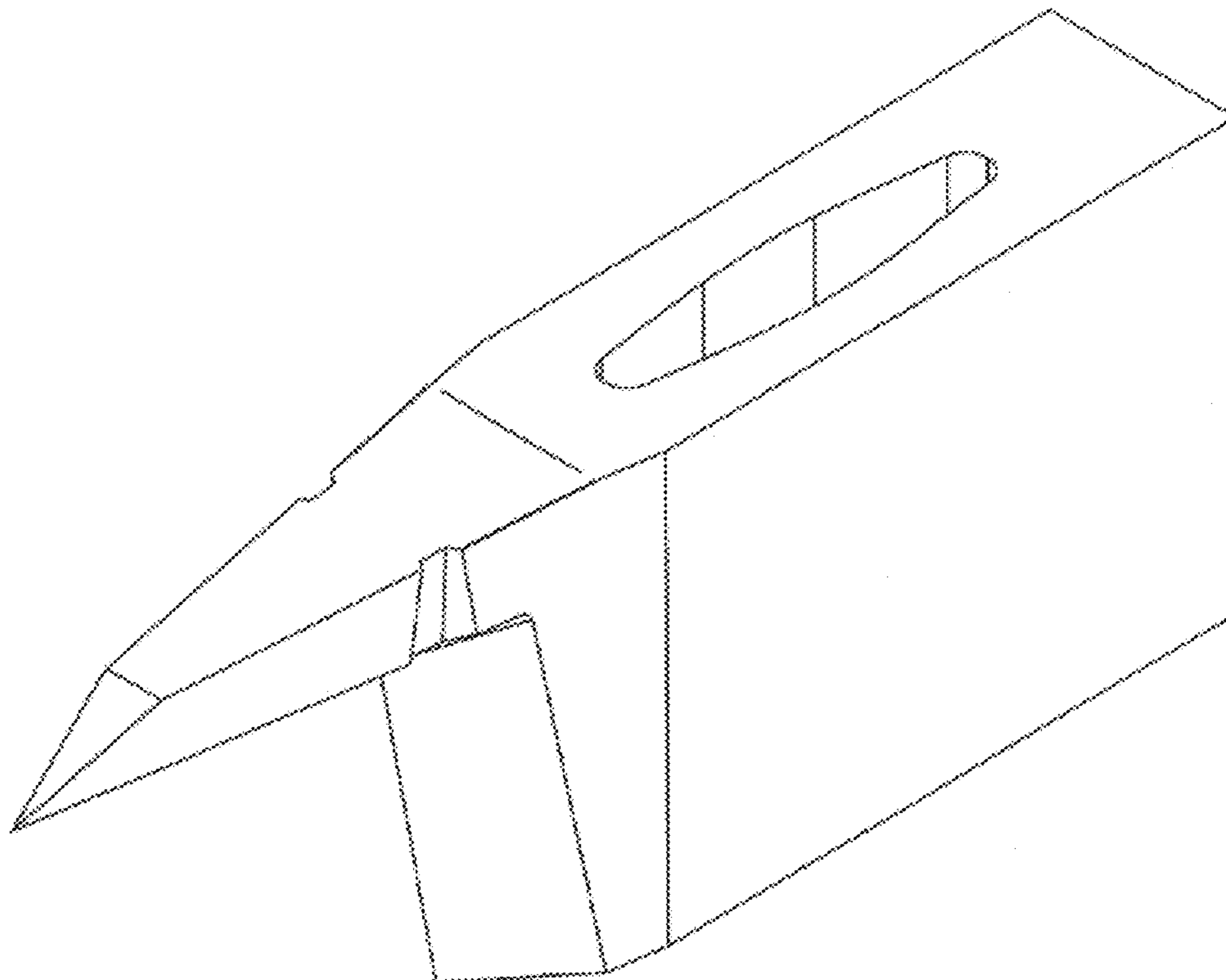
FIG. 4 is a bottom plan view thereof;

FIG. 5 is a front elevational view thereof; and,

FIG. 6 is a rear elevational view thereof.

The broken lines in FIG. 1 illustrate environment that forms no part of the claim.

1 Claim, 4 Drawing Sheets



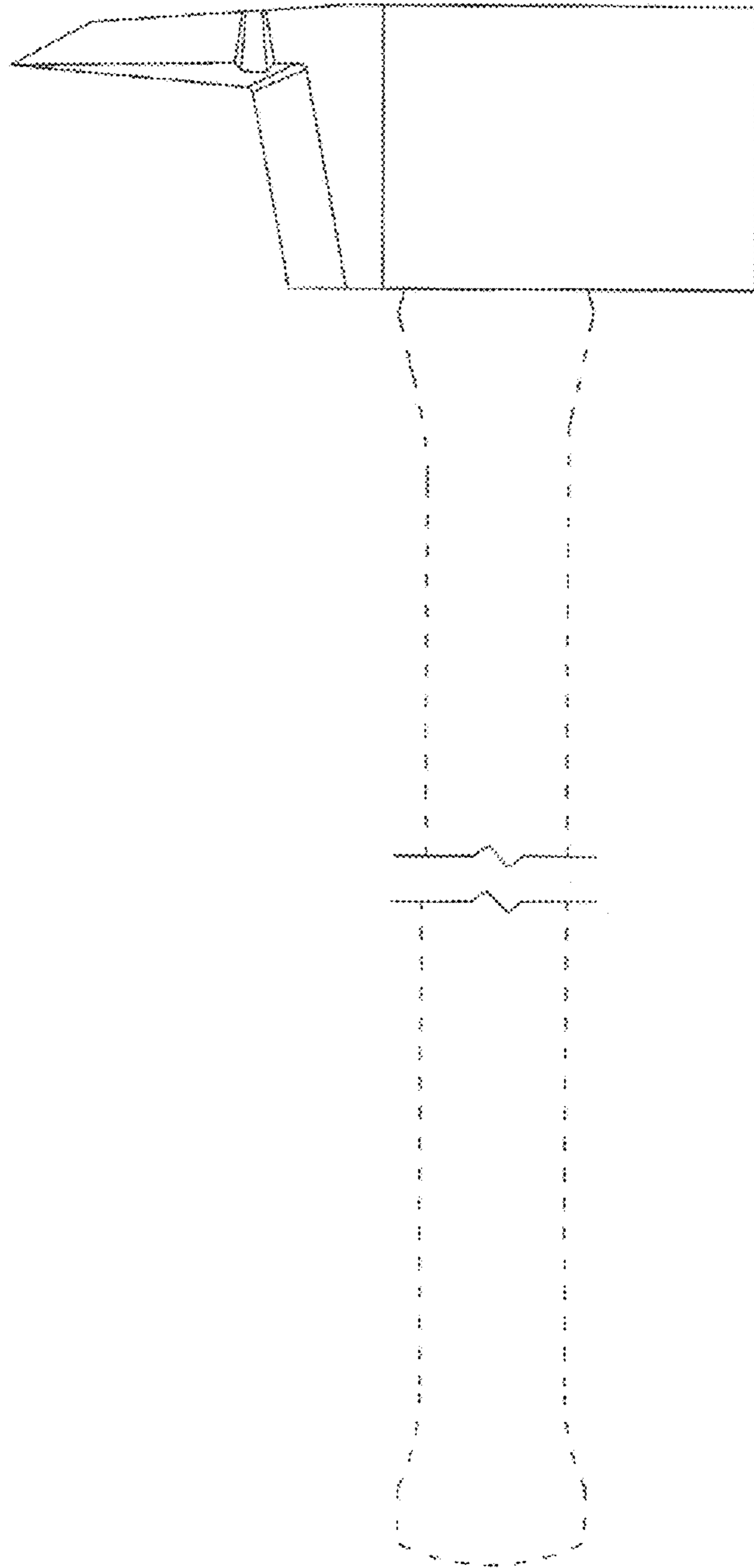


FIG. 1

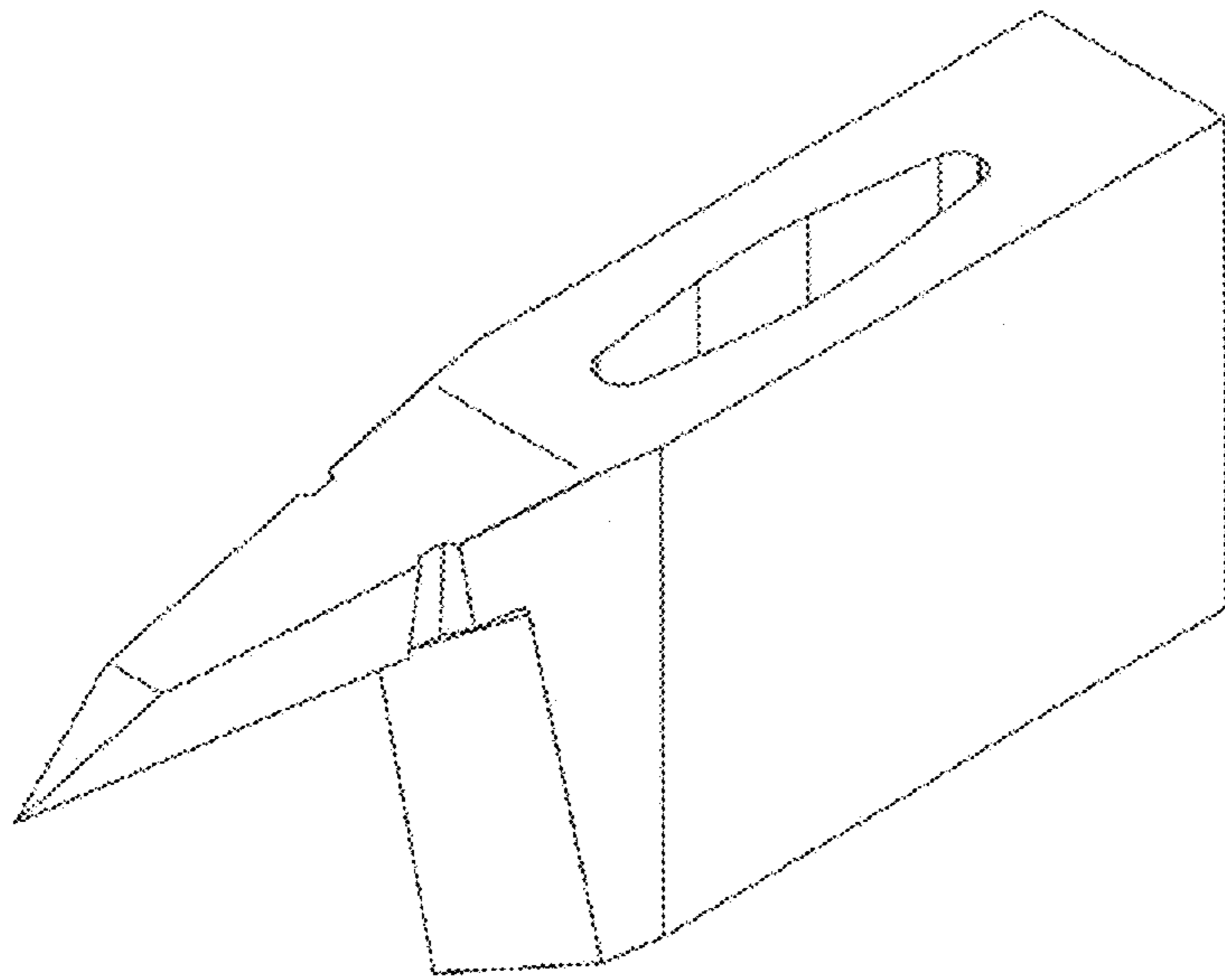


FIG.2

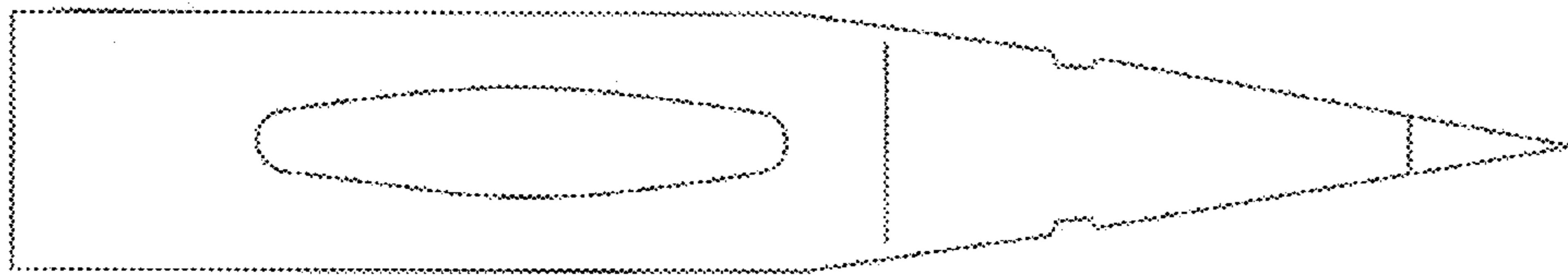


FIG.3

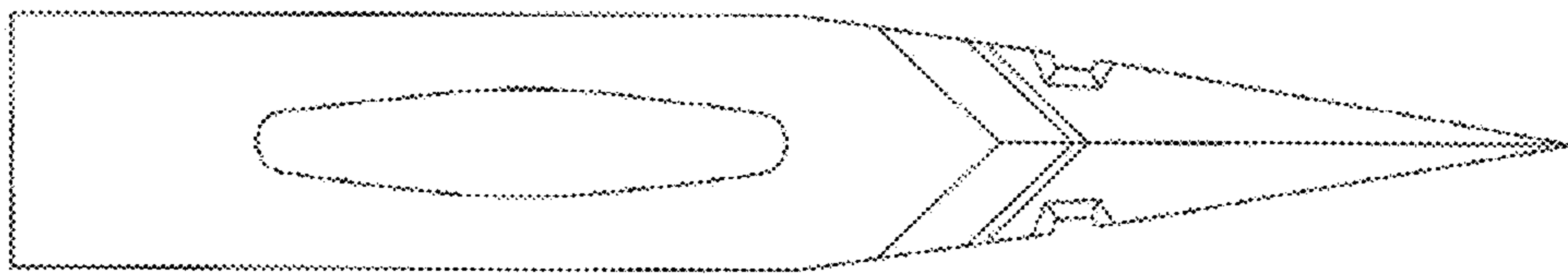


FIG.4

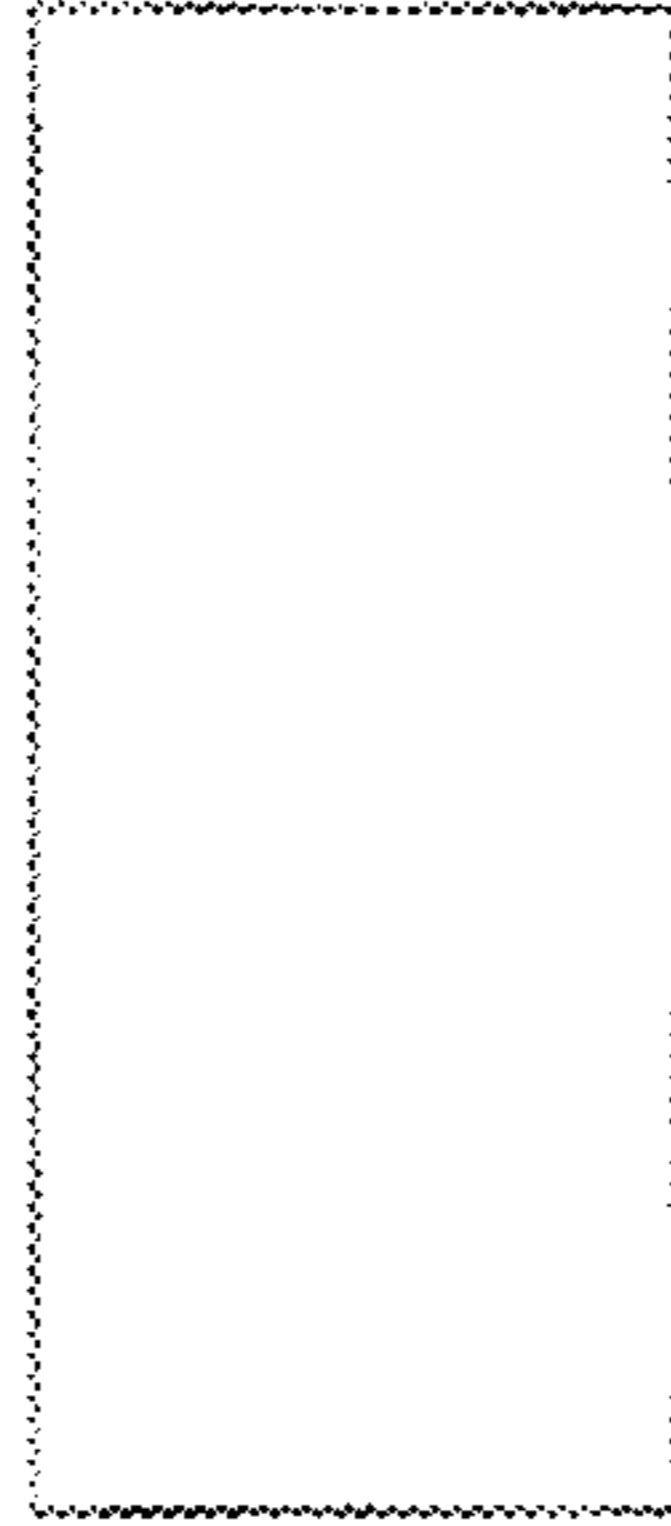


FIG. 5

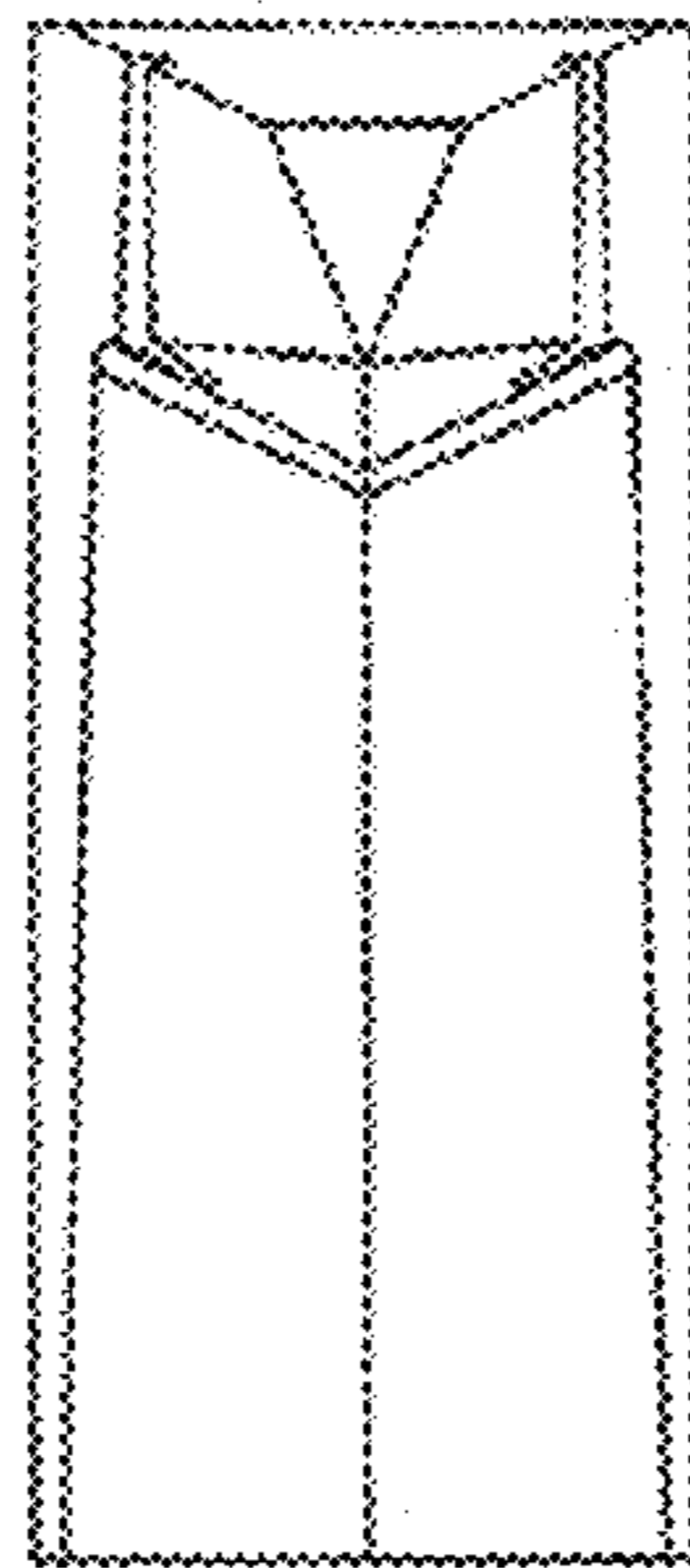


FIG. 6