



(12) **United States Design Patent**
Hoglund

(10) **Patent No.:** **US D708,497 S**
(45) **Date of Patent:** **** Jul. 8, 2014**

(54) **ABRASIVE HOLDER**

(71) Applicant: **KWH Mirka Ltd, Jeppo (FI)**
(72) Inventor: **Goran Hoglund, Nykarleby (FI)**
(73) Assignee: **KWH Mirka Ltd, Jeppo (FI)**

(**) Term: **14 Years**

(21) Appl. No.: **29/469,941**
(22) Filed: **Oct. 16, 2013**

(30) **Foreign Application Priority Data**

Jun. 20, 2013 (EP) 002258970-0001

(51) **LOC (10) Cl.** **08-05**

(52) **U.S. Cl.**
USPC **D8/70**

(58) **Field of Classification Search**

CPC A21C 11/106; A24C 5/28; A01D 45/263;
B23D 61/025; B24B 13/01; B24B 23/02;
B24B 33/086; B24B 49/16; B24D 3/32;
B24D 5/06; B24D 5/12; B24D 7/16; B24D
9/08; B24D 9/085; B26B 9/02; B26D 1/0006;
B26D 7/2614; B27B 5/14; B27B 9/00; B27G
19/04; B28D 1/045; B28D 1/12
USPC D8/20, 61, 62-69, 70, 90;
D15/124-126, 132, 138, 139, 140;
30/307, 347, 355, 388, 389, 390;
51/296; 83/663, 676, 835; 125/15, 18;
451/41, 47, 56, 259, 324, 359, 420,
451/443, 490, 510, 523, 533, 540, 541, 542,
451/544, 547, 548, 550, 551; D4/119, 120,
D4/137

See application file for complete search history.

(56) **References Cited**

U.S. PATENT DOCUMENTS

1,908,697 A * 5/1933 Dunn 451/526
2,729,037 A * 1/1956 Soccoli 451/514

3,736,614 A * 6/1973 Crostic et al. 15/97.1
6,206,771 B1 * 3/2001 Lehman 451/357
6,361,424 B1 * 3/2002 Manor et al. 451/490
D467,485 S * 12/2002 Daniels et al. D8/70
D503,602 S * 4/2005 Hede D8/70
D506,376 S * 6/2005 Hede D8/70
D509,121 S * 9/2005 Hede D8/70

(Continued)

FOREIGN PATENT DOCUMENTS

EP 706854 A1 * 4/1996 B24B 37/04
JP 2003225858 A * 8/2003 B24B 37/04
JP 2005028507 A * 2/2005 B24B 23/02

OTHER PUBLICATIONS

“Abrasives—Surface Conditioning Discs.” Imperial Supplies., Feb. 20, 2013 [online], [retrieved on Mar. 4, 2014]. Retrieved from the Internet <URL: https://www.imperialsupplies.com/pdf/vol21/category/J_Imperial_Abrasives.pdf>.*

Primary Examiner — Philip S Hyder

Assistant Examiner — Darlington Ly

(74) *Attorney, Agent, or Firm* — Jacobson Holman, PLLC.

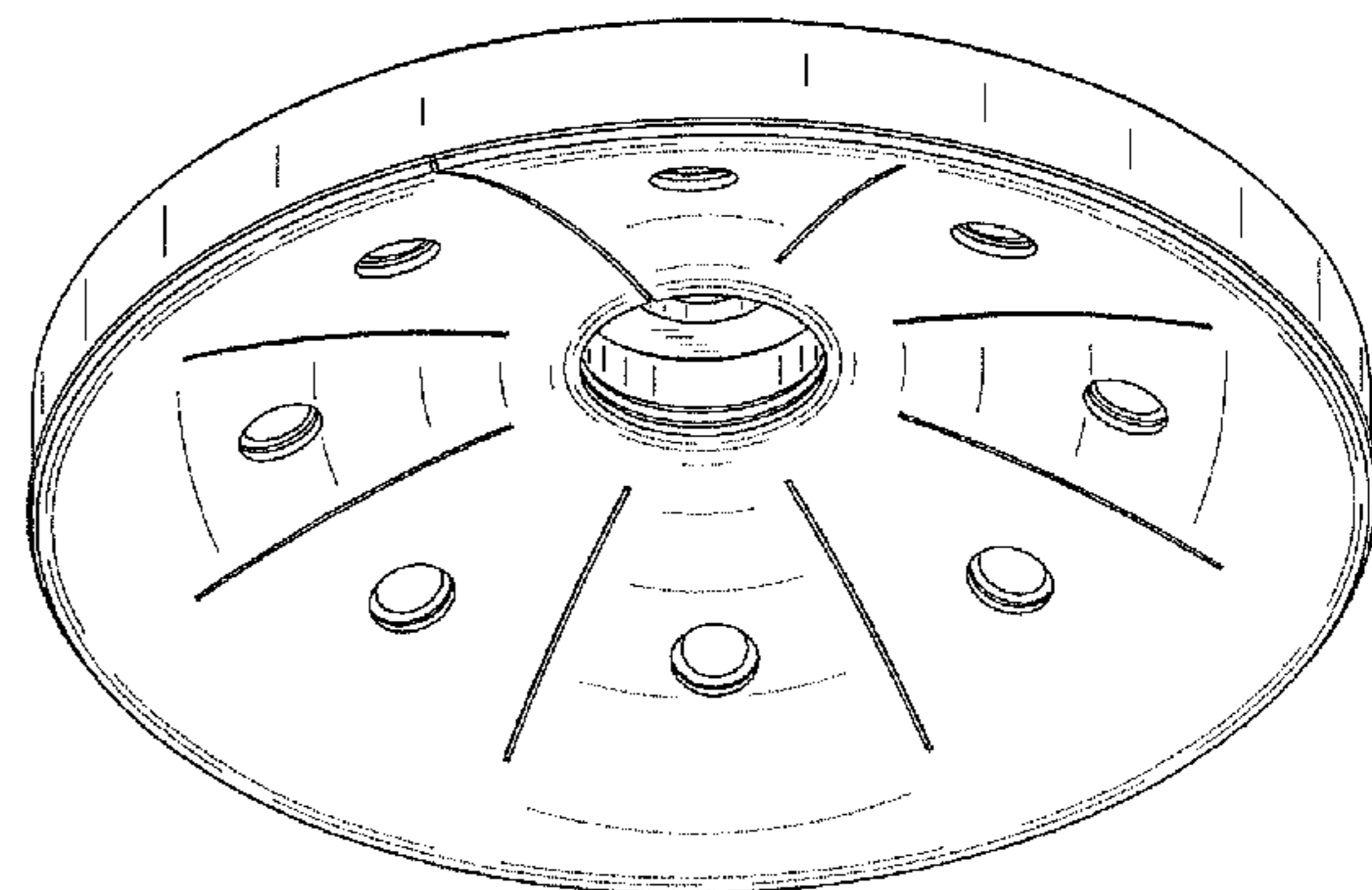
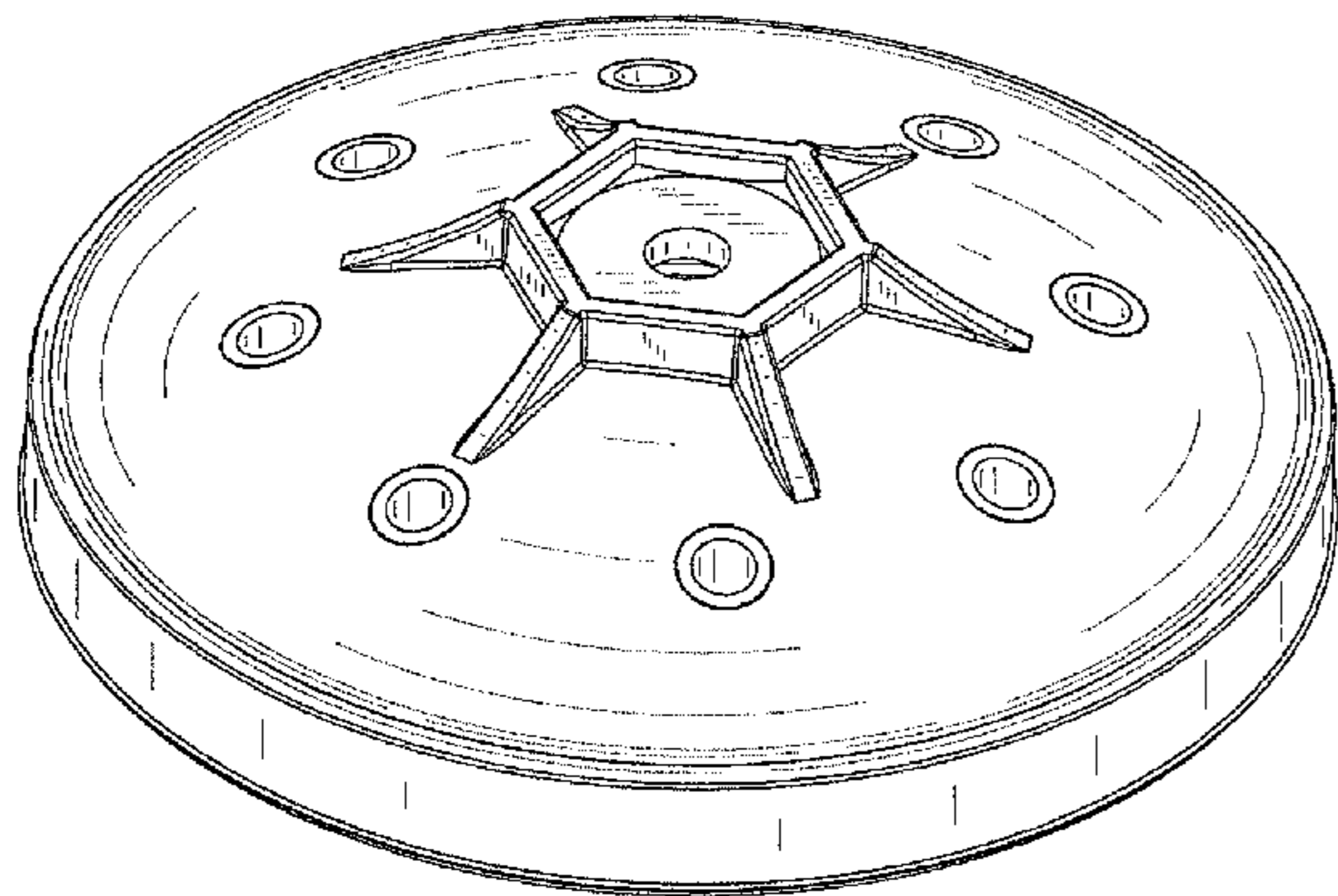
(57) **CLAIM**

I claim the ornamental design for an abrasive holder, as shown and described.

DESCRIPTION

FIG. 1 is a front perspective view of an abrasive holder embodying my design;
FIG. 2 is a bottom perspective view of FIG. 1;
FIG. 3 is a top plan view of FIG. 1;
FIG. 4 is a bottom view of FIG. 1;
FIG. 5 is a front elevation view of FIG. 1; and,
FIG. 6 is a side elevation view of FIG. 1.

1 Claim, 4 Drawing Sheets



US D708,497 S

Page 2

(56)

References Cited

U.S. PATENT DOCUMENTS

D591,133 S *	4/2009	Umbrell	D8/70
D657,404 S *	4/2012	Brandstetter	D15/126
2012/0302143 A1 *	11/2012	Nordstrom	451/344
D568,134 S *	5/2008	Umbrell	D8/70

* cited by examiner

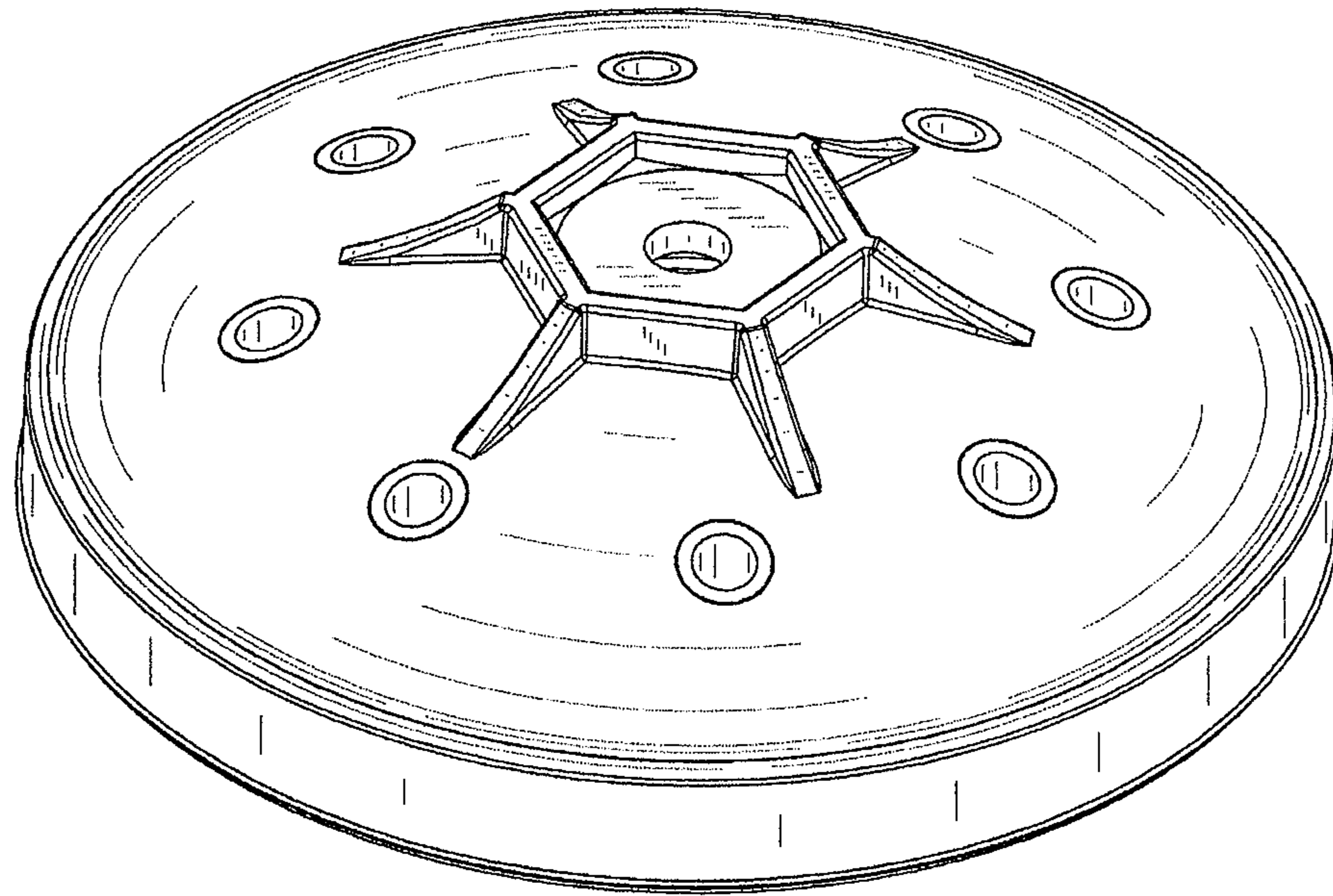


FIG. 1

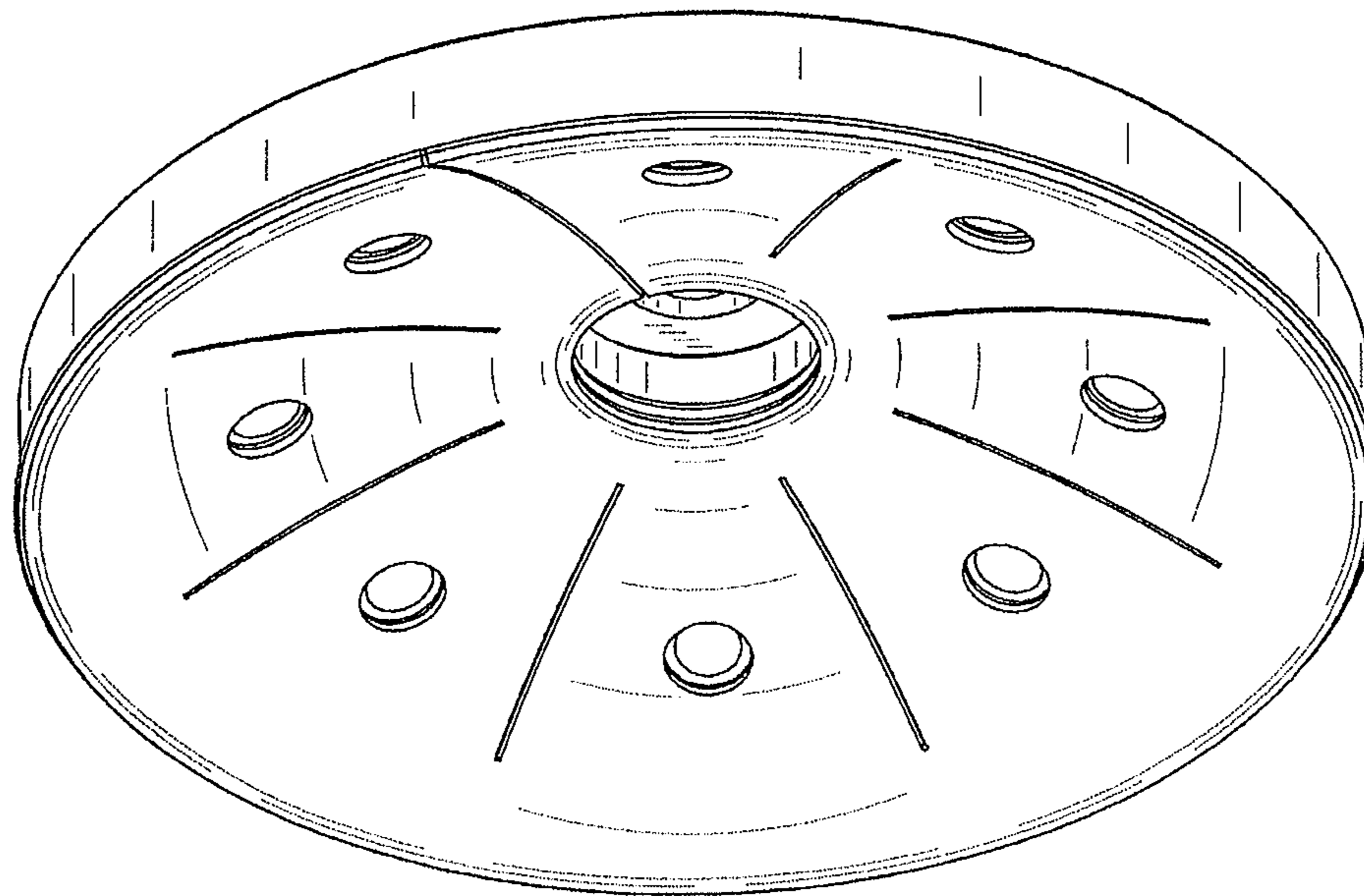


FIG. 2

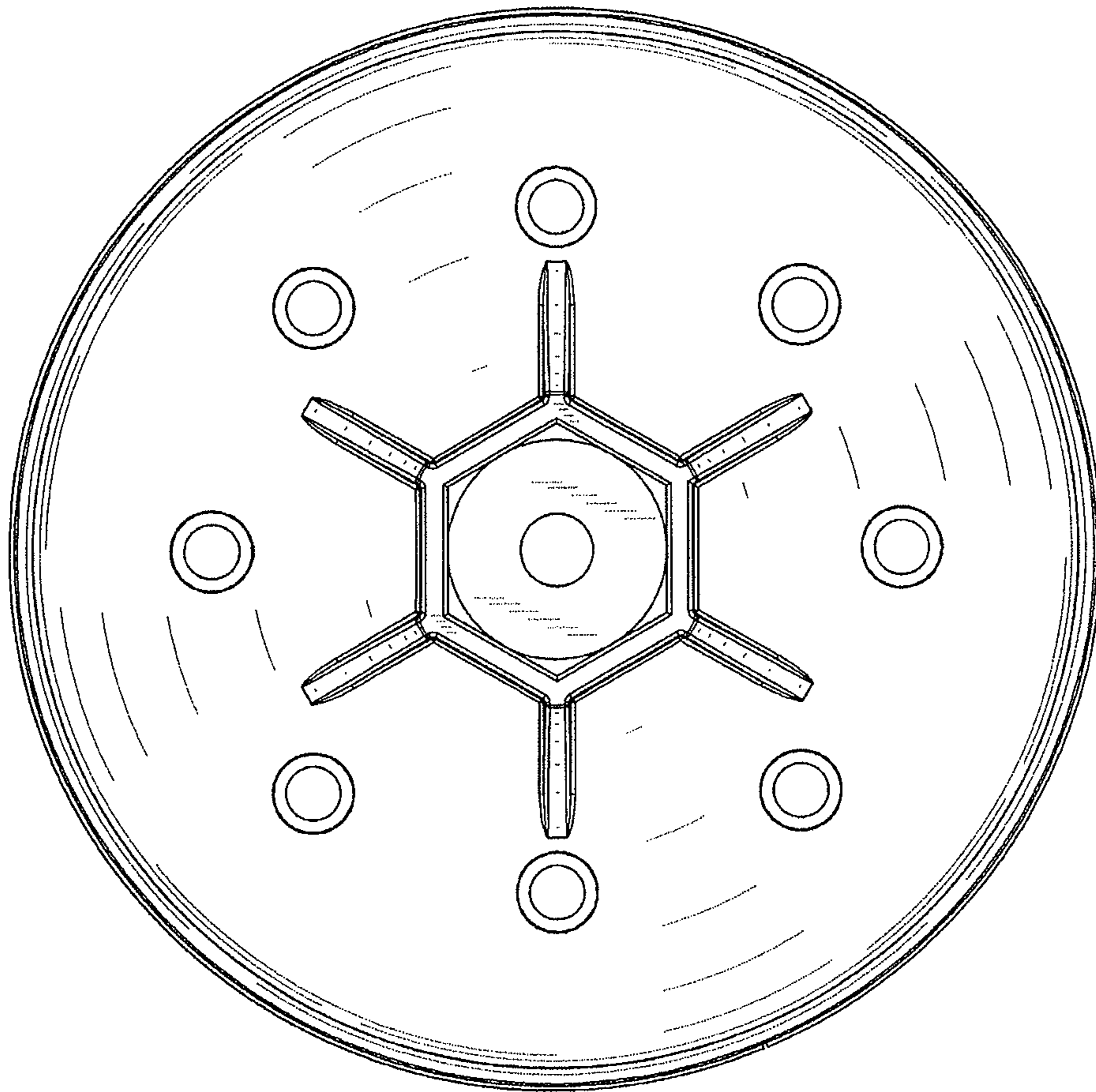


FIG. 3

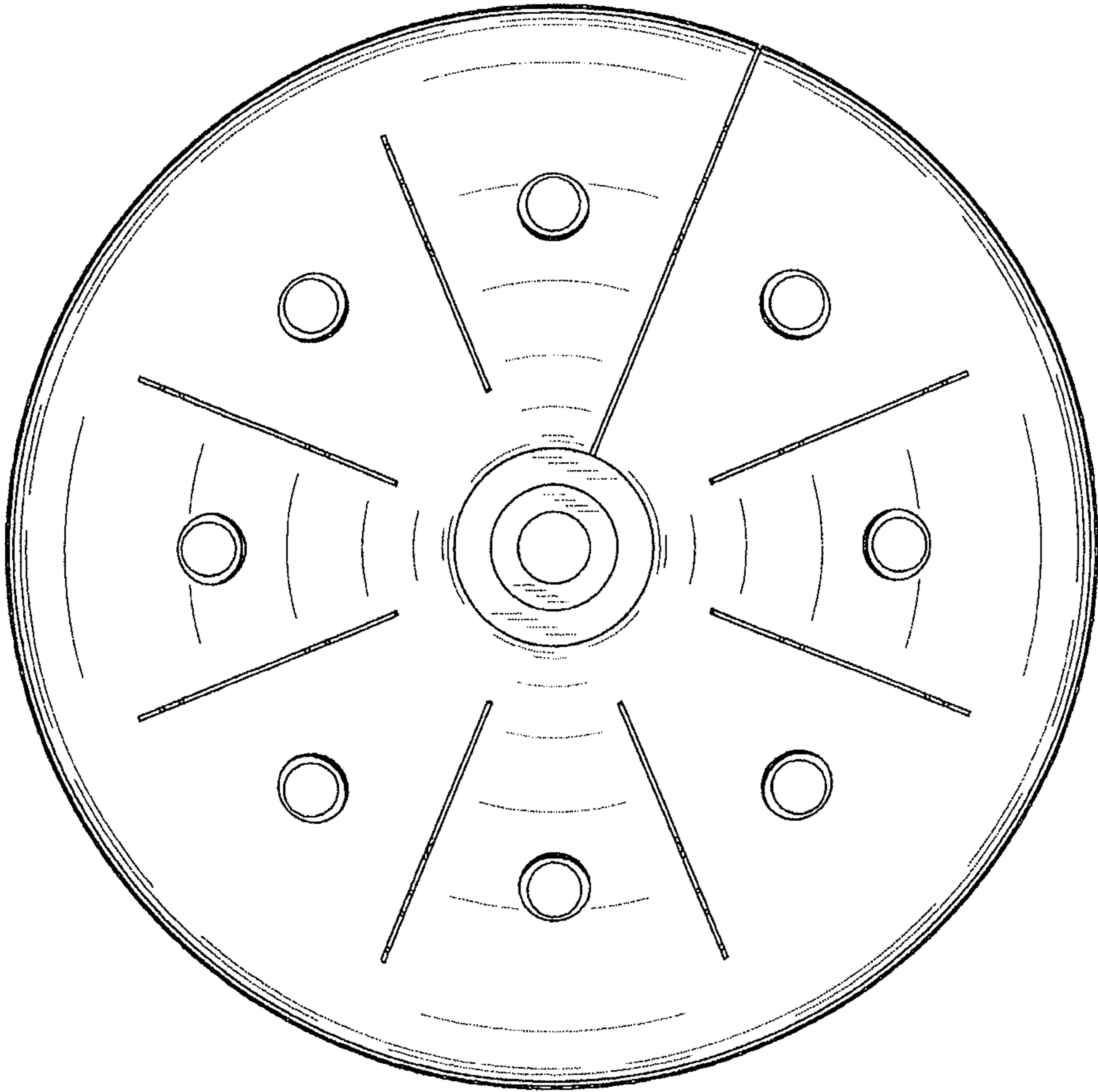


FIG. 4

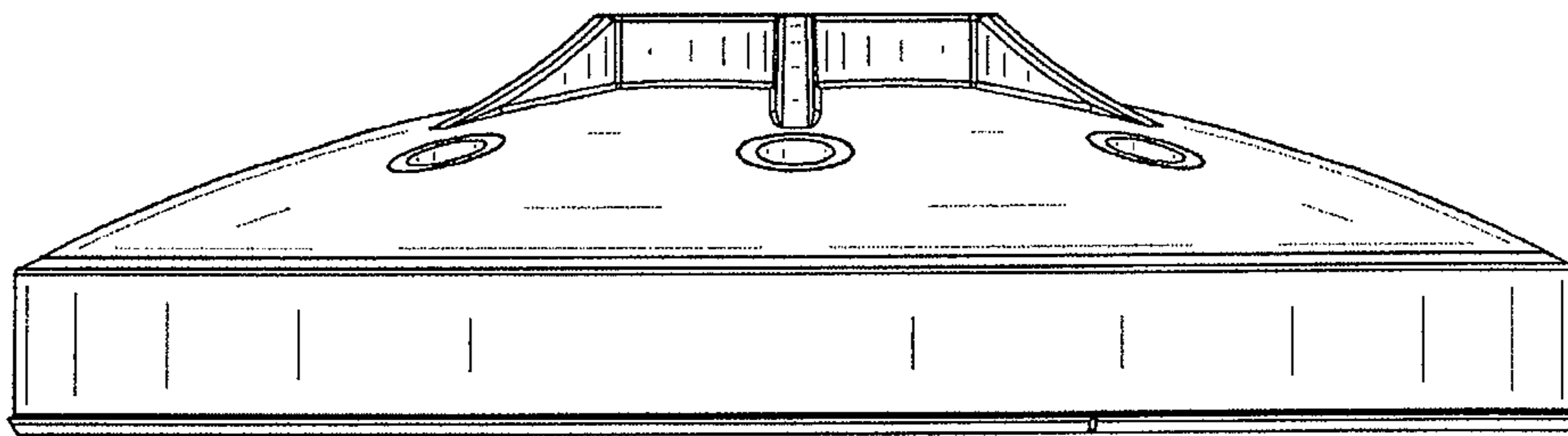


FIG. 5

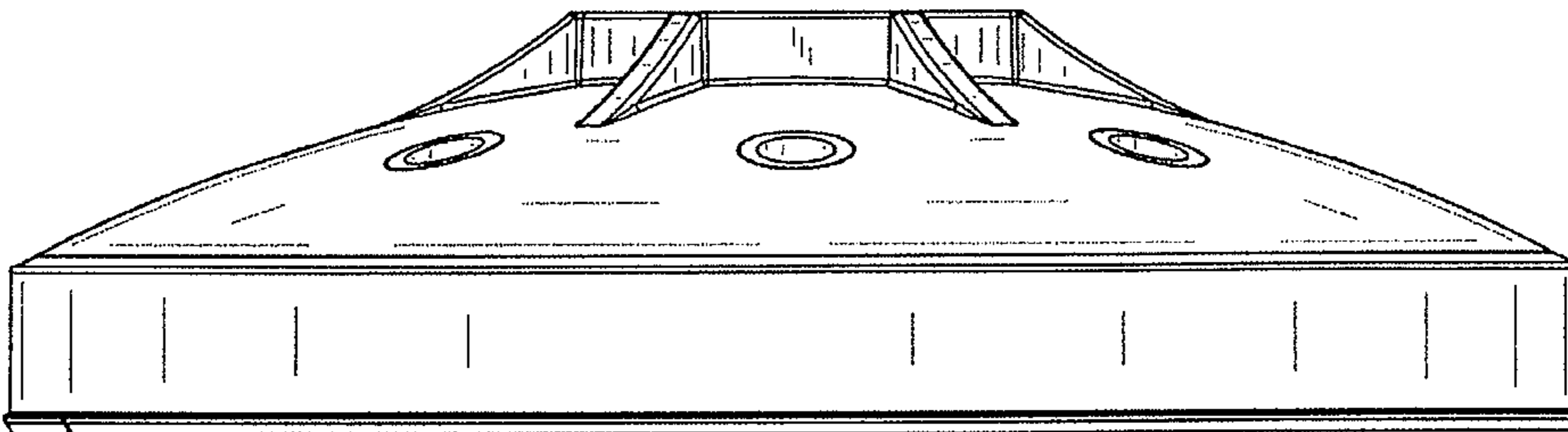


FIG. 6