



US00D708495S

(12) **United States Design Patent**
Stein

(10) **Patent No.:** **US D708,495 S**

(45) **Date of Patent:** **** Jul. 8, 2014**

(54) **SHOVEL BLADE**

(75) **Inventor:** **Robert James Stein**, Mechanicsburg, PA (US)

(73) **Assignee:** **Ames True Temper, Inc.**, Camp Hill, PA (US)

(**) **Term:** **14 Years**

(21) **Appl. No.:** **29/413,299**

(22) **Filed:** **Feb. 14, 2012**

(51) **LOC (10) Cl.** **08-01**

(52) **U.S. Cl.**
USPC **D8/10**

(58) **Field of Classification Search**
USPC D8/7, 10; 294/49, 53.5, 54.5, 57, 55.5,
294/51, 56, 58; 56/400.01, 400.14;
172/371-372
See application file for complete search history.

D395,212	S	*	6/1998	Vosbikian	D8/10
D397,005	S	*	8/1998	Whitehead et al.	D8/10
D398,201	S	*	9/1998	Yacobi et al.	D8/10
5,826,929	A	*	10/1998	Tisbo et al.	294/54.5
5,826,930	A	*	10/1998	Whitehead et al.	294/54.5
5,951,078	A	*	9/1999	Whitehead et al.	294/54.5
D417,826	S	*	12/1999	Yacobi et al.	D8/10
D434,287	S	*	11/2000	Spear	D8/10
D477,755	S	*	7/2003	Markley	D8/10
7,118,145	B1	*	10/2006	Rosine et al.	294/57
D546,644	S	*	7/2007	Rosine et al.	D8/10
D553,920	S	*	10/2007	Rosine et al.	D8/10

* cited by examiner

Primary Examiner — Sheryl Lane

(74) *Attorney, Agent, or Firm* — Eckert Seamans Cherin & Mellott, LLC; Brij K. Agarwal

(57) **CLAIM**

The ornamental design for a shovel blade, as shown and described.

DESCRIPTION

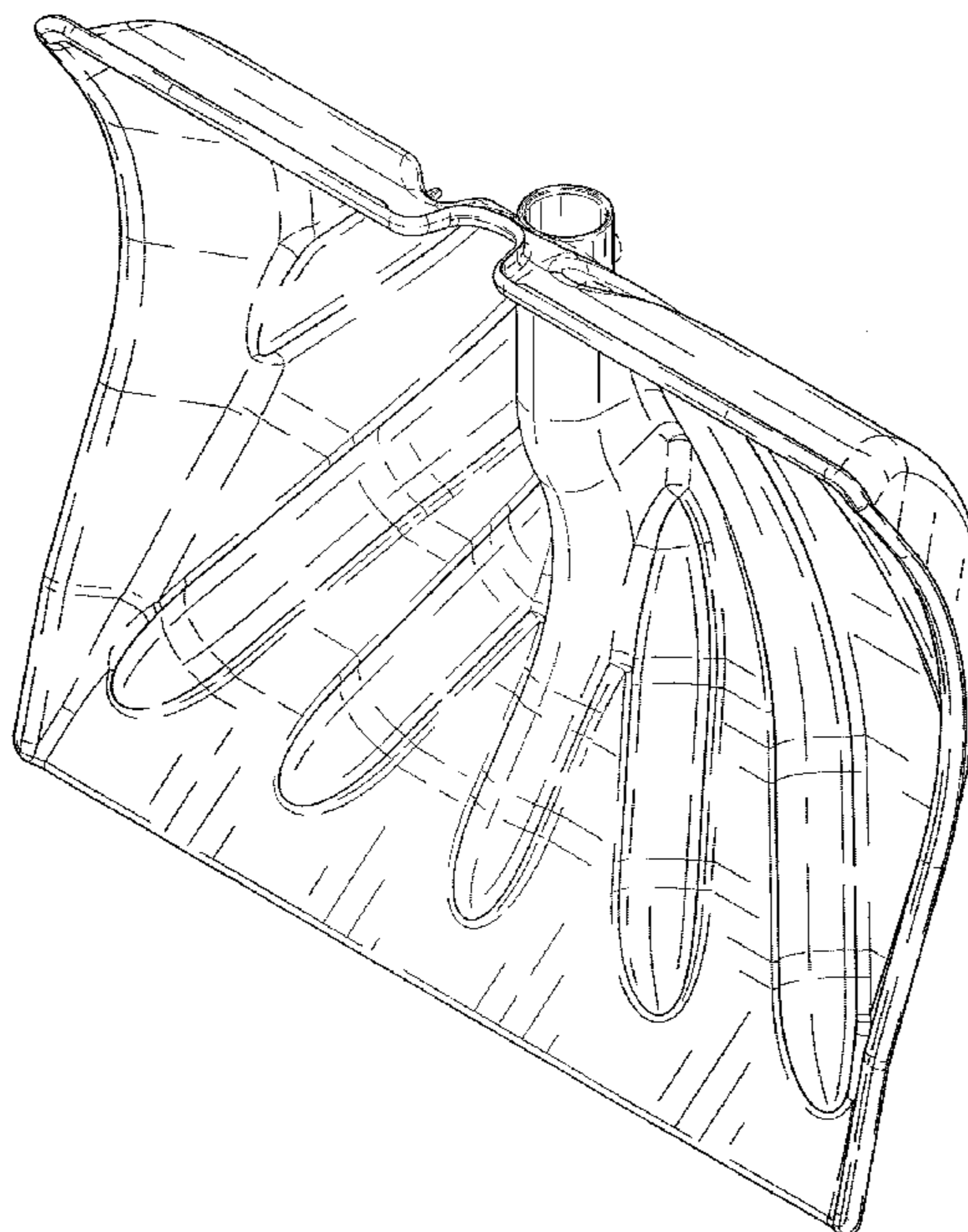
FIG. 1 is a perspective view of the shovel blade;
FIG. 2 is a front elevational view thereof;
FIG. 3 is top plan view thereof;
FIG. 4 is a bottom plan view thereof;
FIG. 5 is a rear elevational view thereof;
FIG. 6 is a left side elevational view thereof; and,
FIG. 7 is a right side elevational view thereof.
The broken lines represent portions of the shovel and form no part of the claimed design.

1 Claim, 5 Drawing Sheets

(56) **References Cited**

U.S. PATENT DOCUMENTS

D328,553	S	*	8/1992	Norton et al.	D8/10
5,419,600	A	*	5/1995	Tisbo et al.	294/54.5
D360,564	S	*	7/1995	Tisbo et al.	D8/10
D363,653	S	*	10/1995	Tisbo et al.	D8/10
D381,375	S	*	7/1997	Spear et al.	D21/532
D384,866	S	*	10/1997	Tisbo et al.	D8/10
D385,160	S	*	10/1997	Tisbo et al.	D8/10
D390,431	S	*	2/1998	Whitehead et al.	D8/10
D392,521	S	*	3/1998	Tisbo et al.	D8/10
D393,990	S	*	5/1998	Whitehead et al.	D8/10
D393,991	S	*	5/1998	Tisbo et al.	D8/10



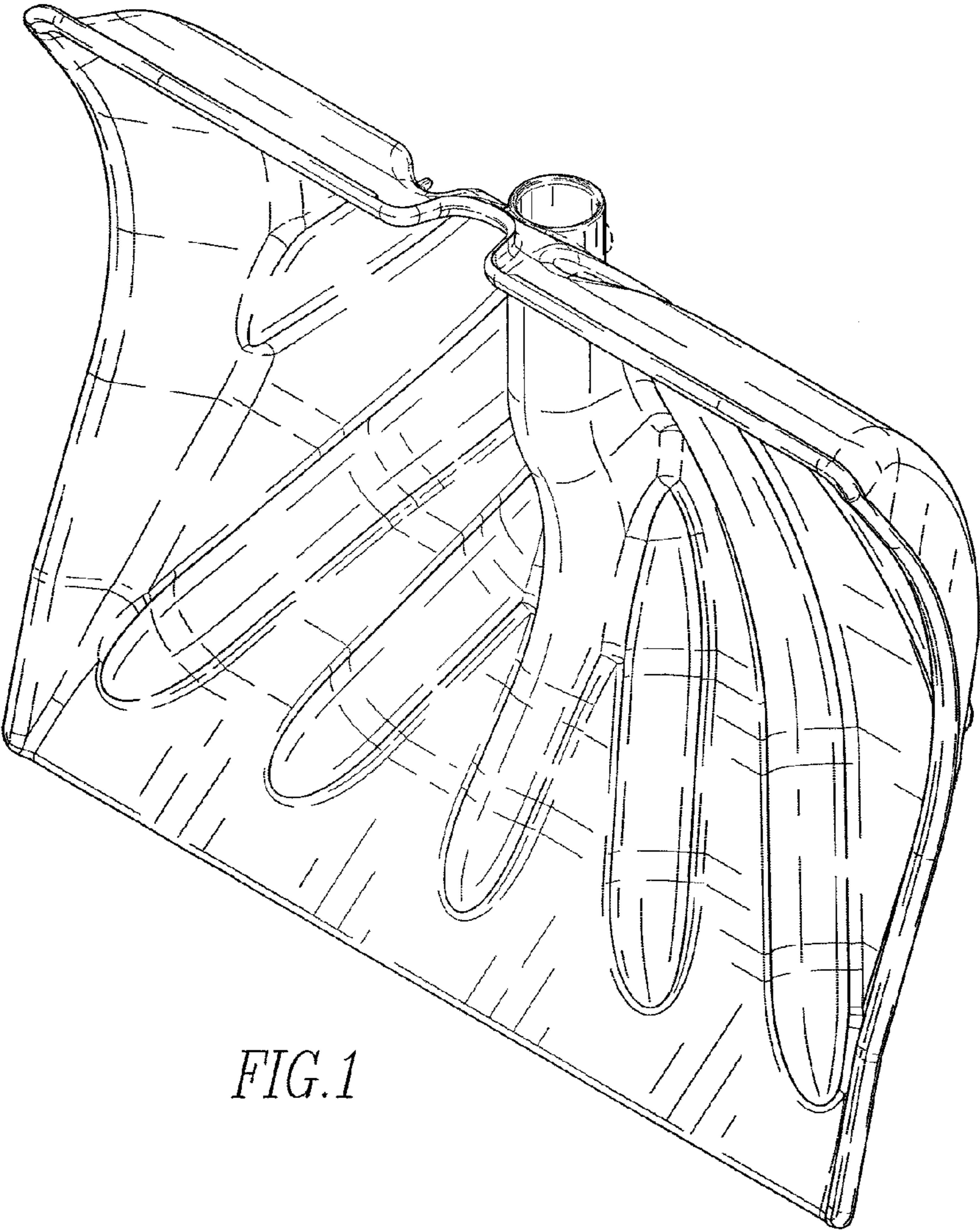


FIG. 1

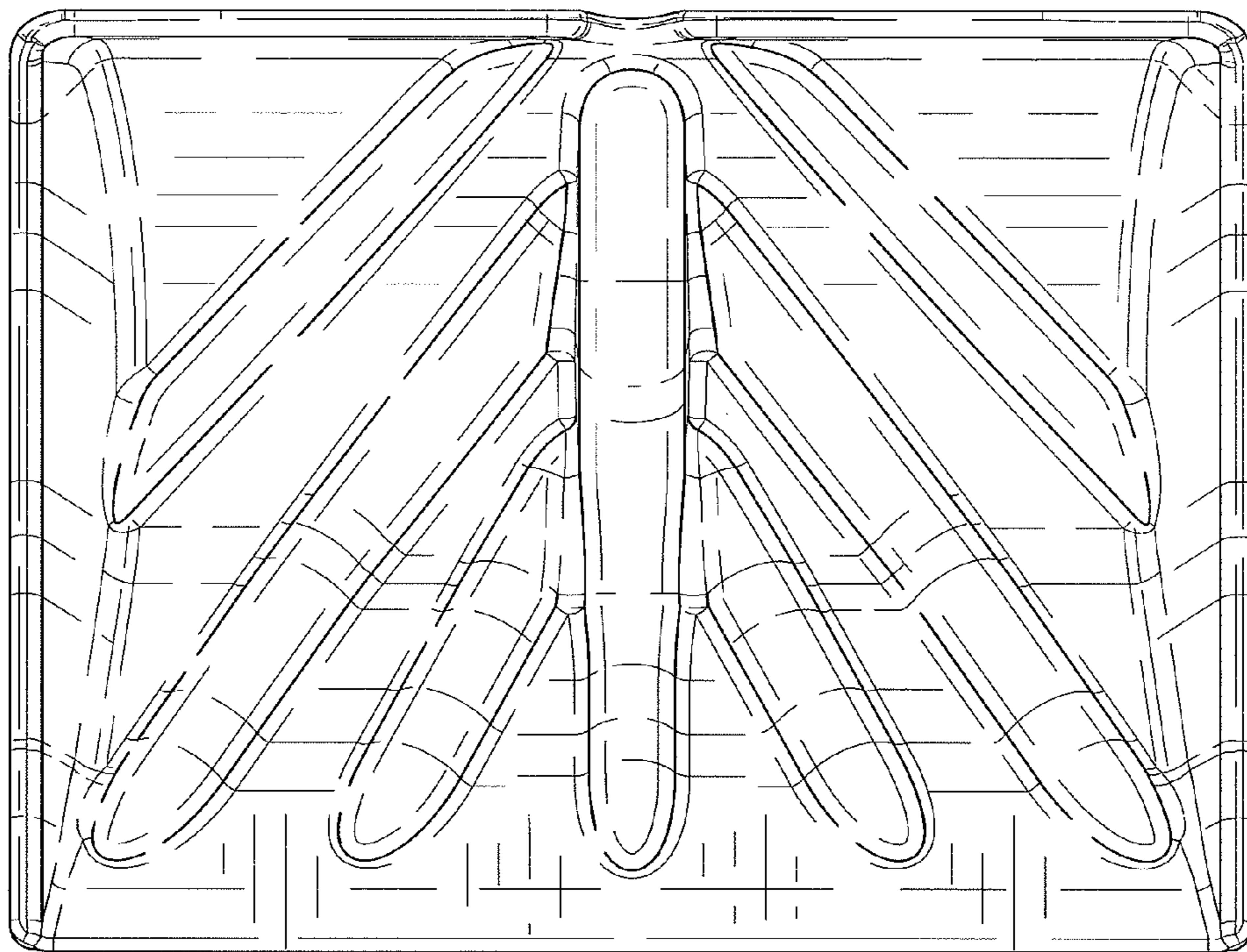


FIG. 2

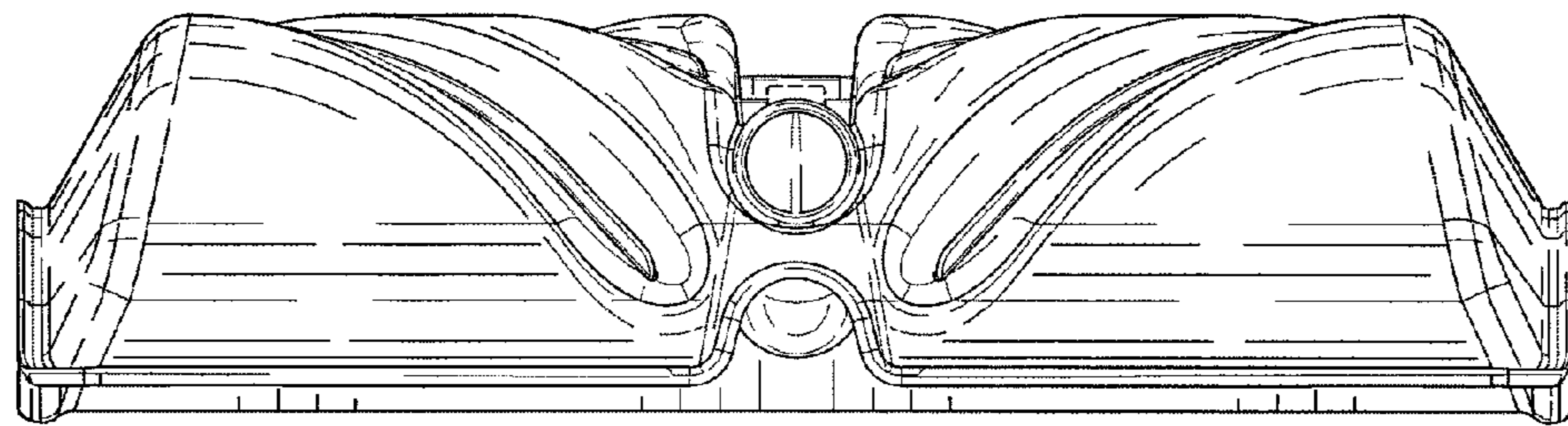


FIG. 3

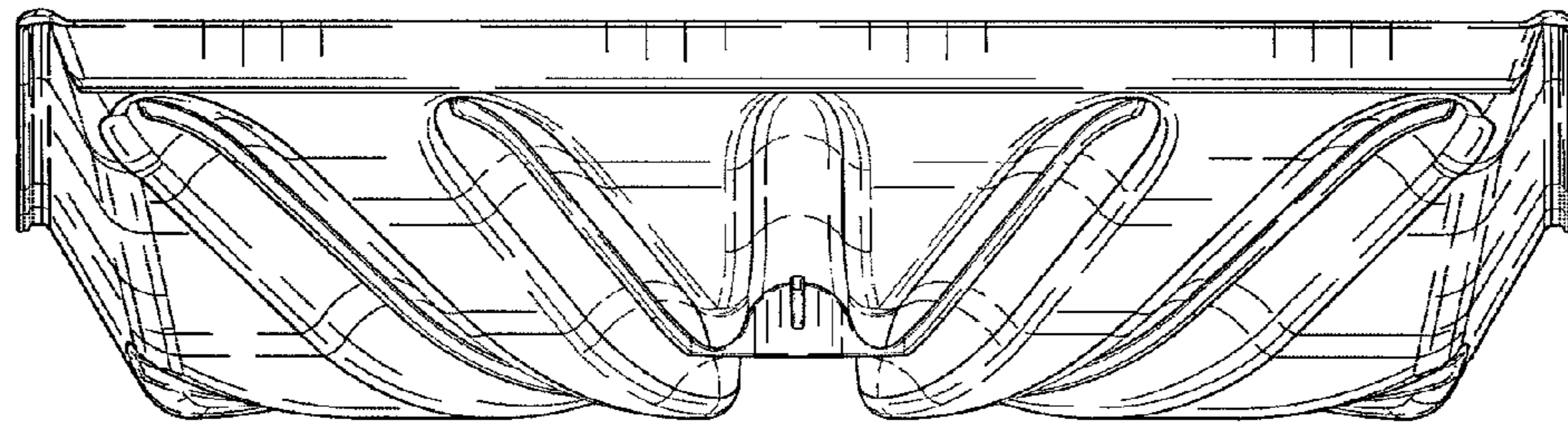


FIG. 4

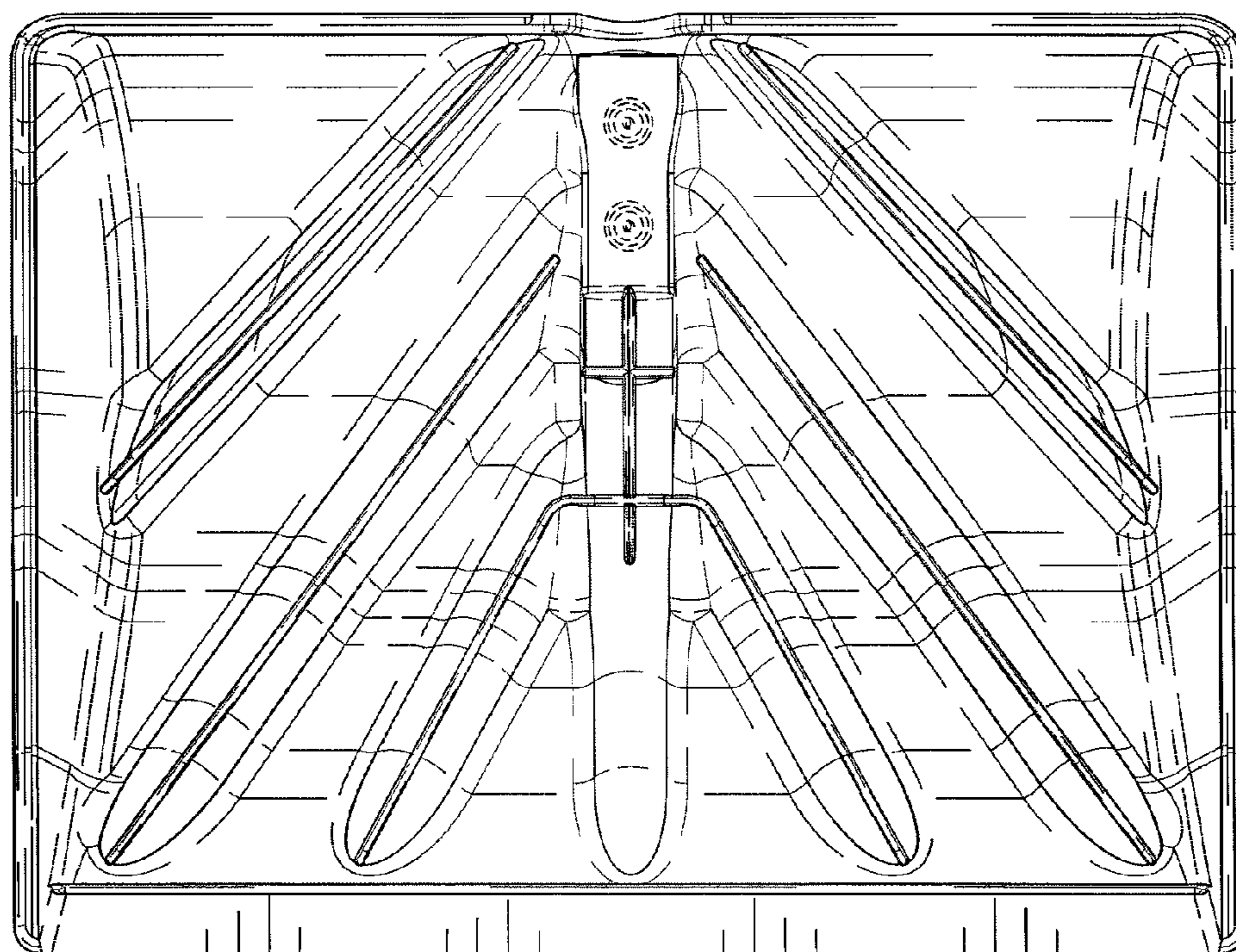


FIG. 5

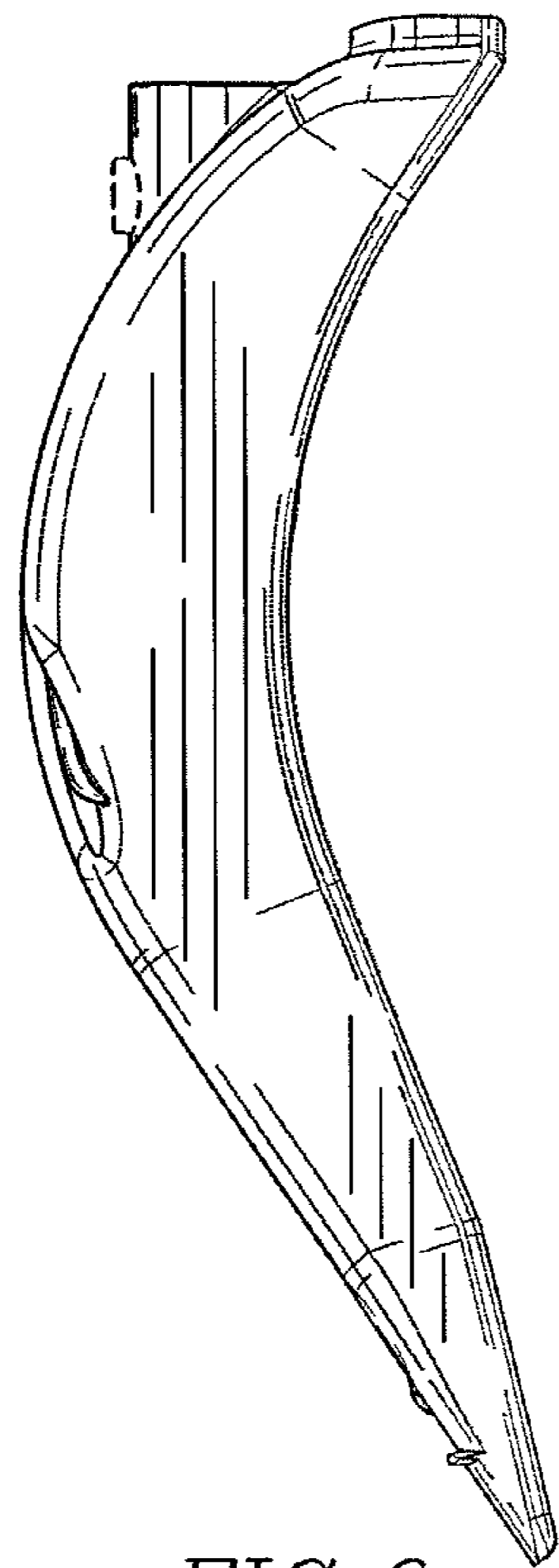


FIG. 6

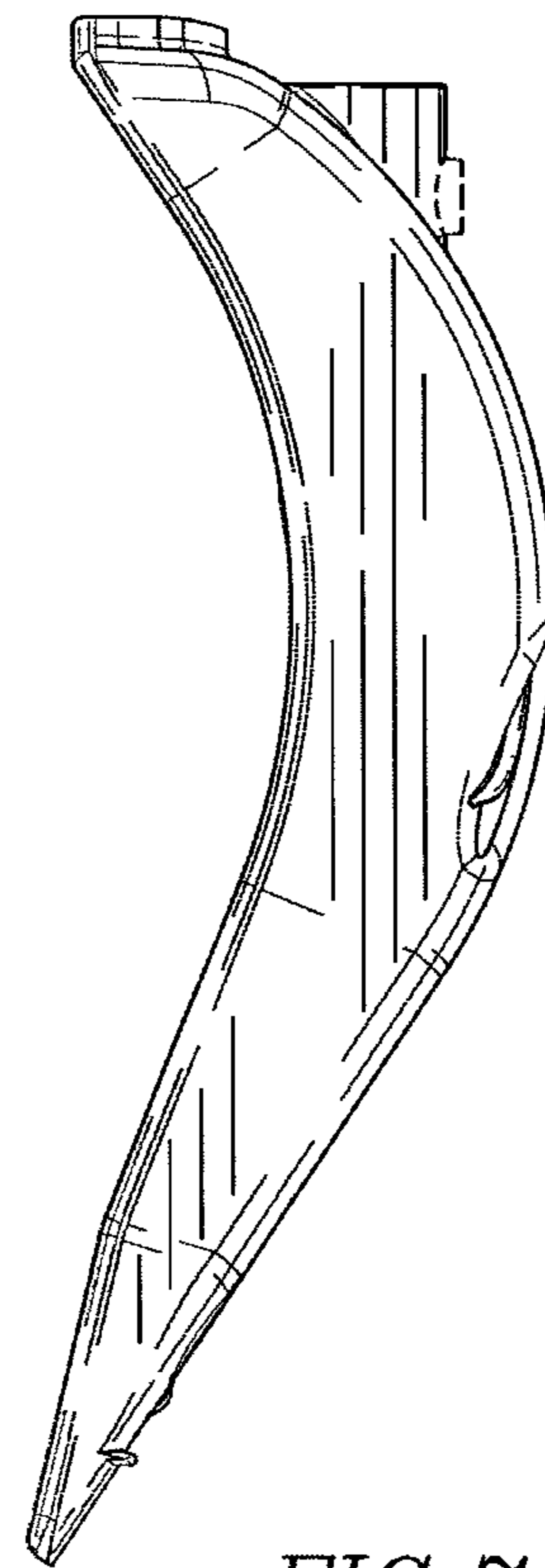


FIG. 7