



US00D708494S

(12) **United States Design Patent**  
**Carpenter**

(10) **Patent No.:** **US D708,494 S**

(45) **Date of Patent:** **\*\* Jul. 8, 2014**

(54) **WINE RACK**

(71) Applicant: **William B. Carpenter**, North Vancouver  
(CA)

(72) Inventor: **William B. Carpenter**, North Vancouver  
(CA)

(\*\*) Term: **14 Years**

(21) Appl. No.: **29/445,501**

(22) Filed: **Feb. 12, 2013**

(51) **LOC (10) Cl.** ..... **06-04**

(52) **U.S. Cl.**  
USPC ..... **D7/701**

(58) **Field of Classification Search**

CPC ..... A47F 5/0876  
USPC ..... D7/701-708, 600.1-600.4; 211/103,  
211/190, 42, 183, 70.6, 74, 87.01, 85.18;  
248/220.31; D6/682.6, 676.5, 677.5,  
D6/678.4, 680.3, 682.2, 682.5

See application file for complete search history.

(56) **References Cited**

U.S. PATENT DOCUMENTS

2,051,408	A *	8/1936	Karst	.....	211/87.01
2,527,796	A	11/1946	Clute		
D232,284	S	8/1974	Shuck		
D236,565	S *	9/1975	Fuller	.....	D7/708
D260,463	S	9/1981	Imus		
D284,720	S	7/1986	Watson		
D295,128	S *	4/1988	Gentile	.....	D7/704
4,944,415	A	7/1990	Orbach		

(Continued)

FOREIGN PATENT DOCUMENTS

CA	2 677 021	2/2010
CA	2 743 948	5/2010

(Continued)

OTHER PUBLICATIONS

Heather Cardamore, Authorized Office, Canadian Intellectual Property Office, "International Search Report" in connection with related

PCT Patent App. No. PCT/CA2013/000259, dated Dec. 23, 2013, 2 pgs.

(Continued)

*Primary Examiner* — Terry Wallace

(74) *Attorney, Agent, or Firm* — Kolisch Hartwell, P.C.

(57) **CLAIM**

I claim the ornamental design for a wine rack, as shown and described.

**DESCRIPTION**

FIG. 1 is a perspective view of a wine rack showing my new design.

FIG. 2 is a front elevational view of the wine rack of FIG. 1; FIG. 3 is a left side elevational view of the wine rack of FIG. 1;

FIG. 4 is a top plan view of the wine rack of FIG. 1; and, FIG. 5 is a perspective view of the wine rack of FIG. 1.

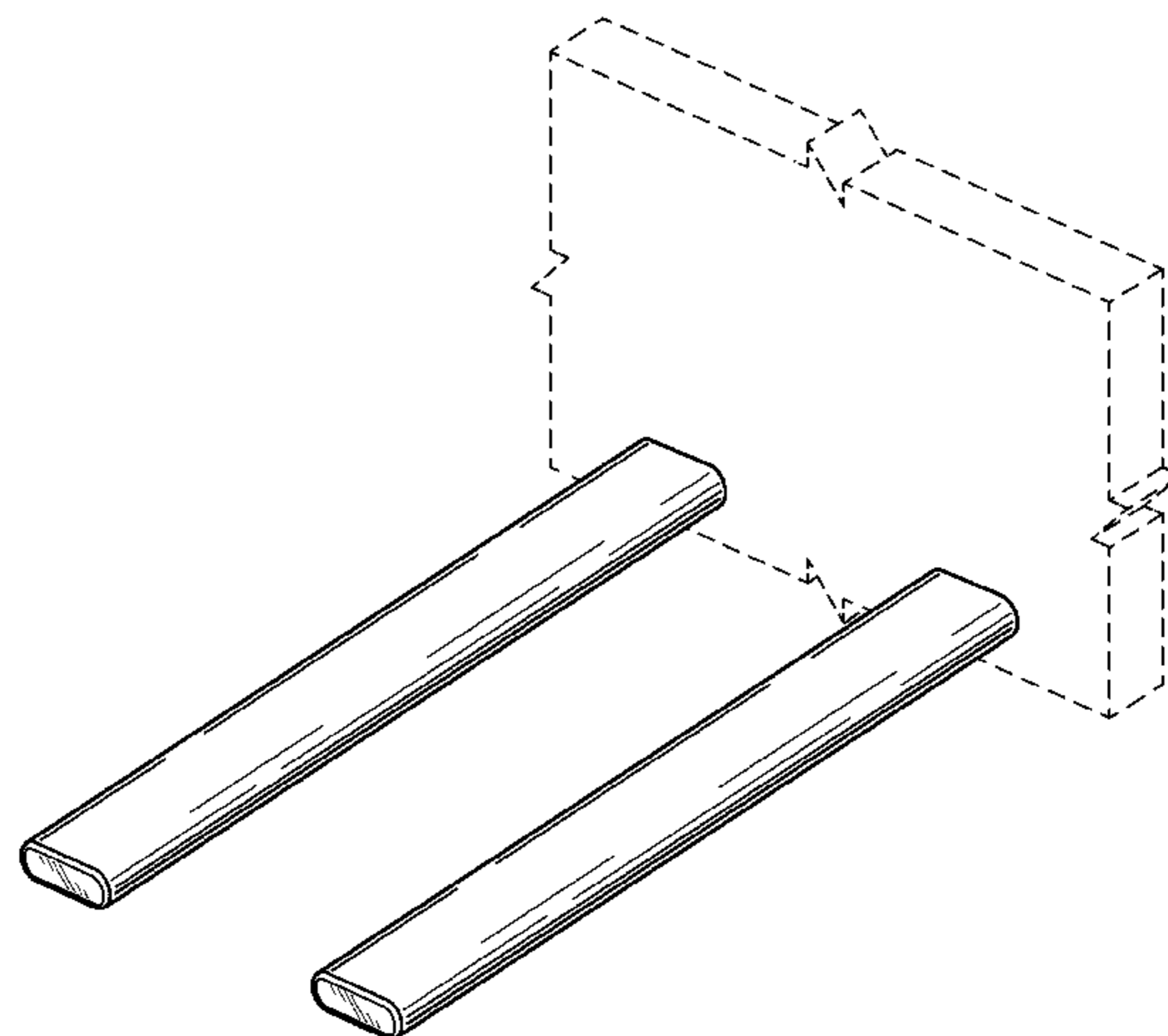
The stippling and shading lines shown in the drawings represent the approximate three-dimensional contour of the design, and are not intended to indicate surface decoration. The right side elevational view of the design is a mirror image of the left side elevational view, so the right side view has been omitted.

The bottom plan view of the design is identical to the top plan view, so the bottom plan view has been omitted.

Portions of the drawings depicted in broken lines are intended to illustrate the environment of the design for illustrative purposes only, and form no part of the claimed design.

Portions of the wine rack that are not shown in the drawings form no part of the claimed design.

**1 Claim, 3 Drawing Sheets**



(56)

References Cited

OTHER PUBLICATIONS

U.S. PATENT DOCUMENTS

5,025,936	A	6/1991	Lamoureux	
5,499,724	A	3/1996	Hickman	
5,503,276	A	4/1996	Pierce	
5,813,550	A *	9/1998	Sheehan et al.	211/87.01
D460,902	S	7/2002	Battle	
6,763,956	B2	7/2004	Woods	
D497,526	S	10/2004	Sander et al.	
6,991,117	B2	1/2006	McCain	
7,284,734	B2	10/2007	Hamerski	
7,377,397	B2	5/2008	Lee et al.	
7,673,761	B2	3/2010	Lee et al.	
7,850,017	B2	12/2010	McCain	
7,882,967	B2	2/2011	Hynes	
D634,992	S *	3/2011	McNamee	D7/704
D655,986	S	3/2012	Schneider	
8,231,015	B2	7/2012	McCain	
8,573,548	B2 *	11/2013	Kuhn et al.	248/220.31
2001/0013567	A1 *	8/2001	Valiulis	248/220.41
2011/0132853	A1	6/2011	Drobot et al.	
2011/0309220	A1	12/2011	Collini	
2012/0085721	A1	4/2012	Michael et al.	
2013/0334155	A1	12/2013	Kasza et al.	

FOREIGN PATENT DOCUMENTS

GB	1 202 519	8/1970
GB	2 189 387 A	10/1987
GB	2 242 352 A	3/1990

Vin de Garde Cellar Systems, Modern Wine Cellars Catalog 2011, 2011.

Genuwine Cellars, Label Link (retrieved from <http://www.genuwinecellars.com/metal-series/label-link/> on Jan. 25, 2013).

Genuwine Cellars, PEG System (retrieved from <http://www.genuwinecellars.com/metal-series/peg-system/> on Jan. 25, 2013).

Genuwine Cellars, Metal Series (retrieved from <http://www.genuwinecellars.com/metal-series/> on Feb. 21, 2013).

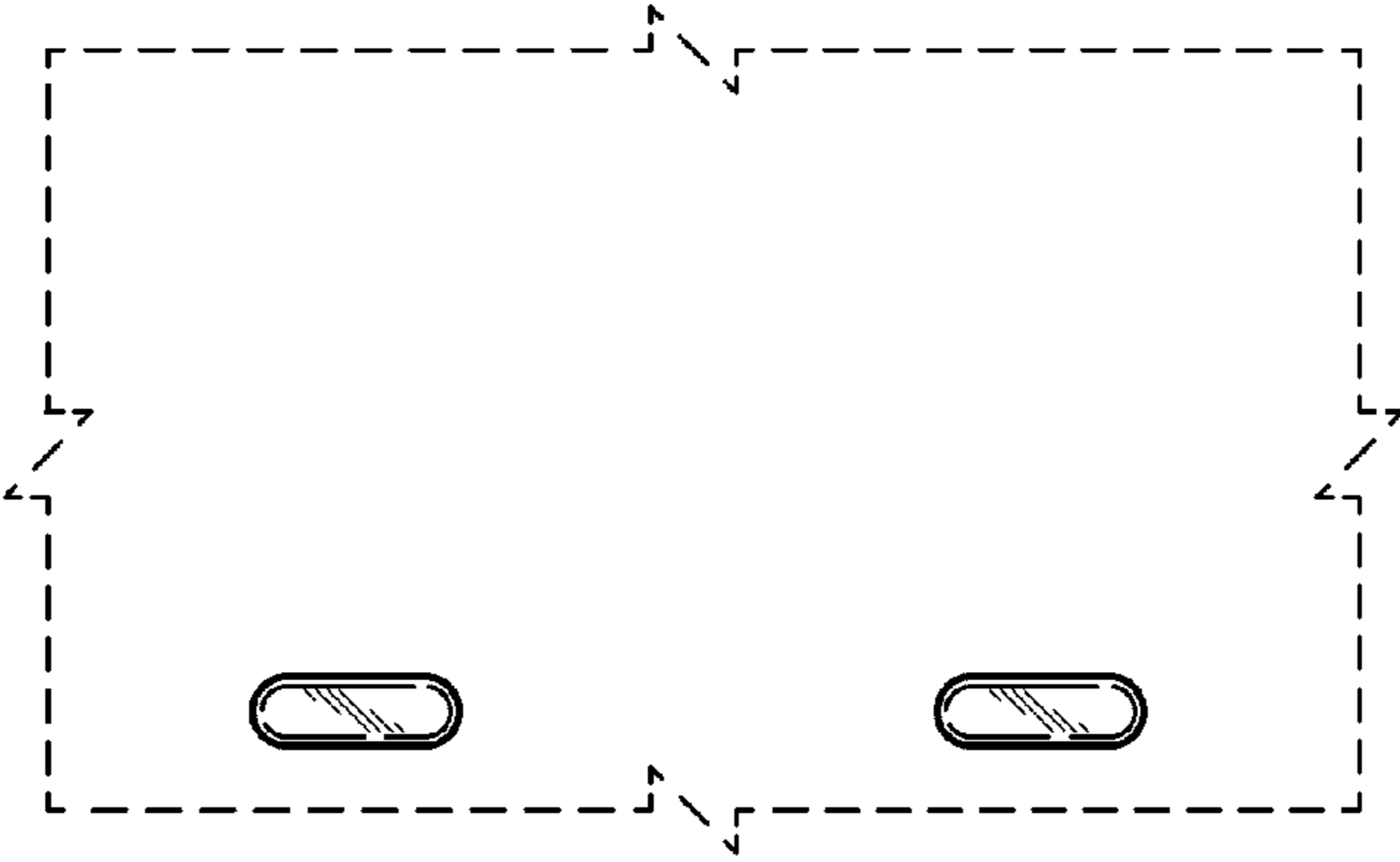
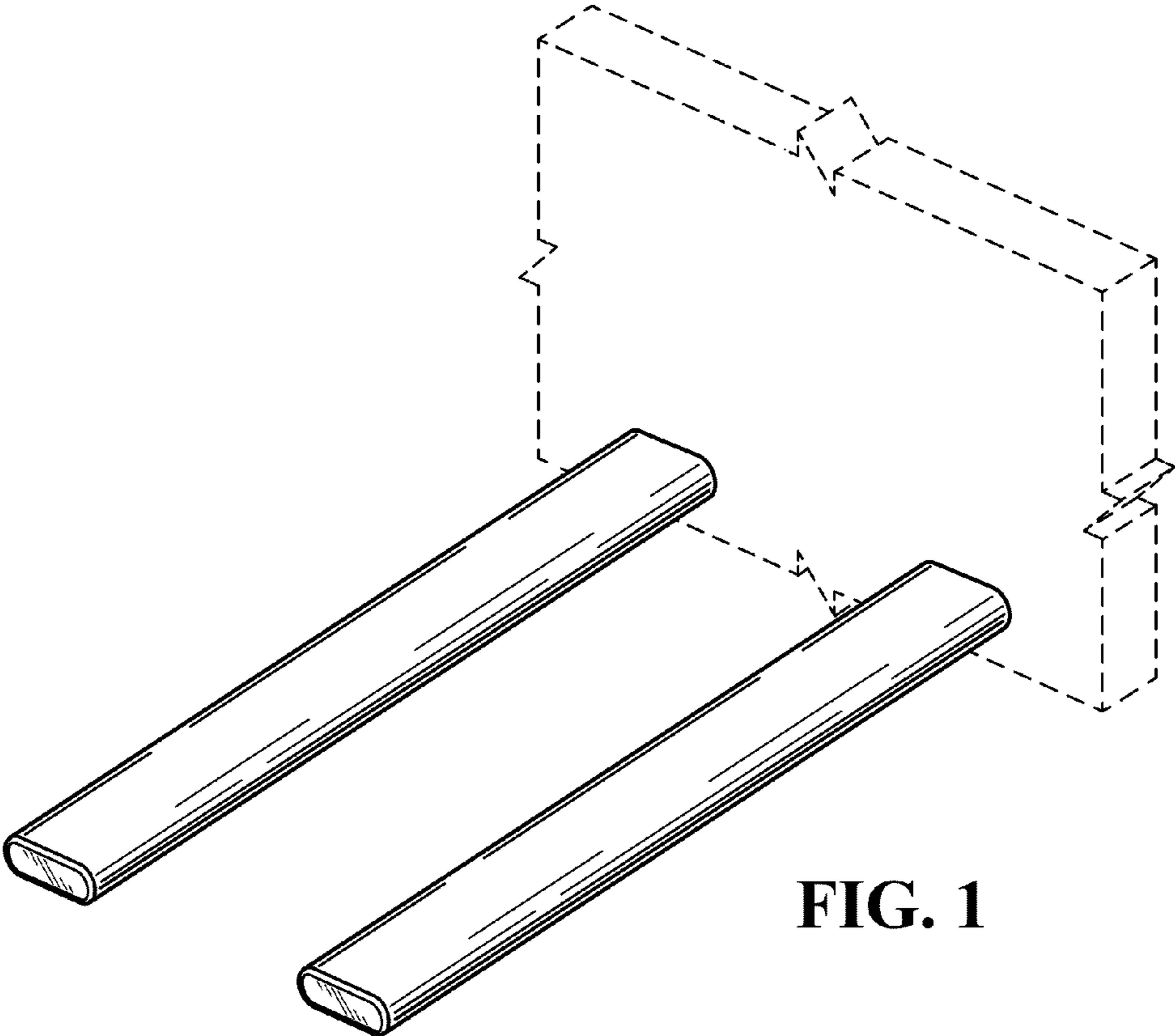
Houzz Inc., Bachus Bottle Rack—modern—wine racks—by Made in Design, 2013 (retrieved from <http://www.houzz.com/photos/151858/Bachus-Bottle-Rack-modern-wine-racks-> on Jul. 18, 2013).

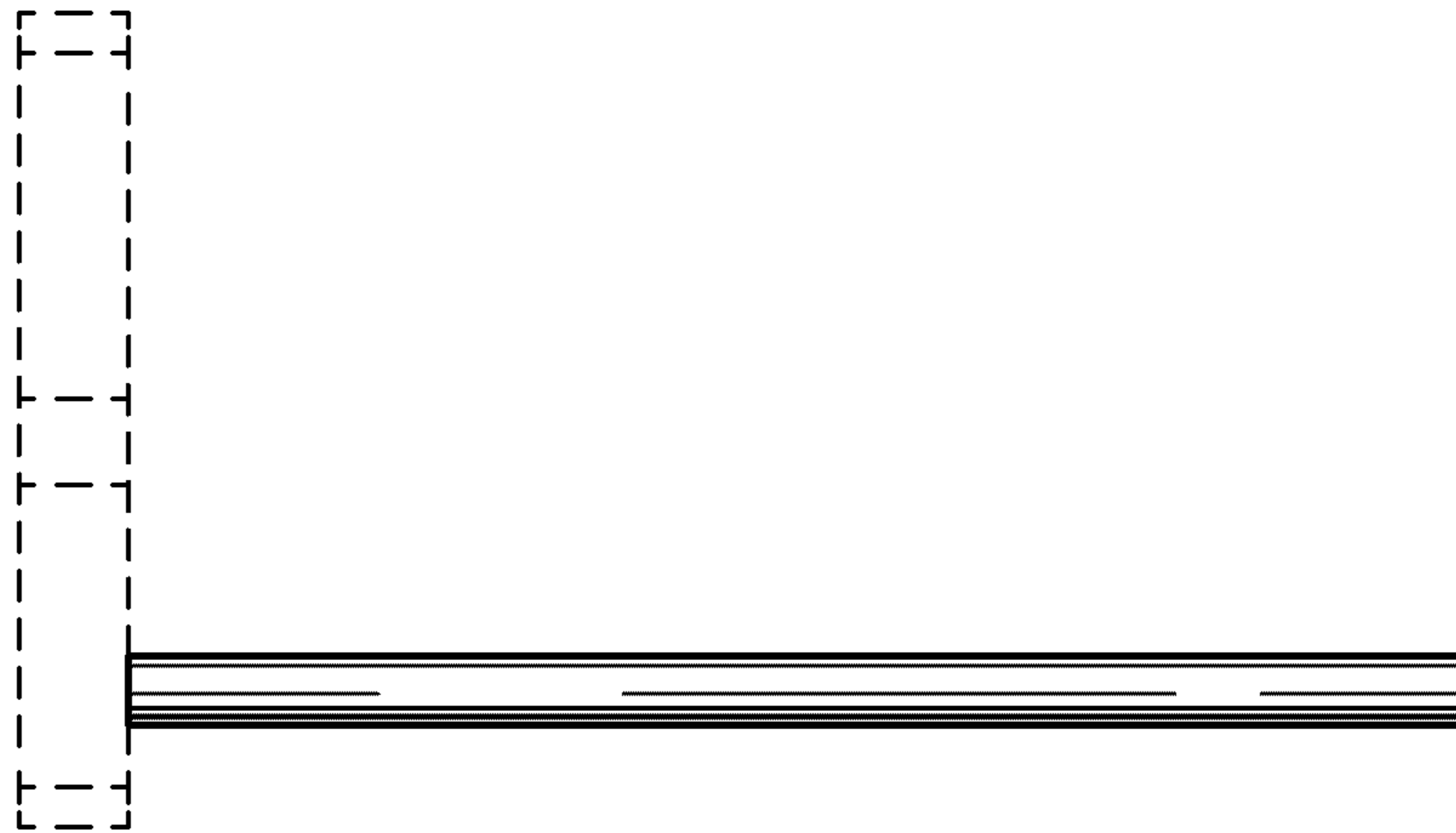
Houzz Inc., Live-Edge Solid Walnut 6-Bottle Wine Rack—eclectic—wine racks—by Etsy, 2013 (retrieved from <http://www.houzz.com/photos/2739502/Live-Edge-Solid-Walnut-6-Bottle-Wine-Rack-eclectic-wine-racks-> on Jul. 18, 2013).

Houzz Inc., Wood & Metal Industrial Wine Rack—contemporary—wine racks—by World Market, 2013 (retrieved from <http://www.houzz.com/photos/1548374/Wood---Metal-Industrial-Wine-Rack-contemporary-wine-racks-> on Jul. 18, 2013).

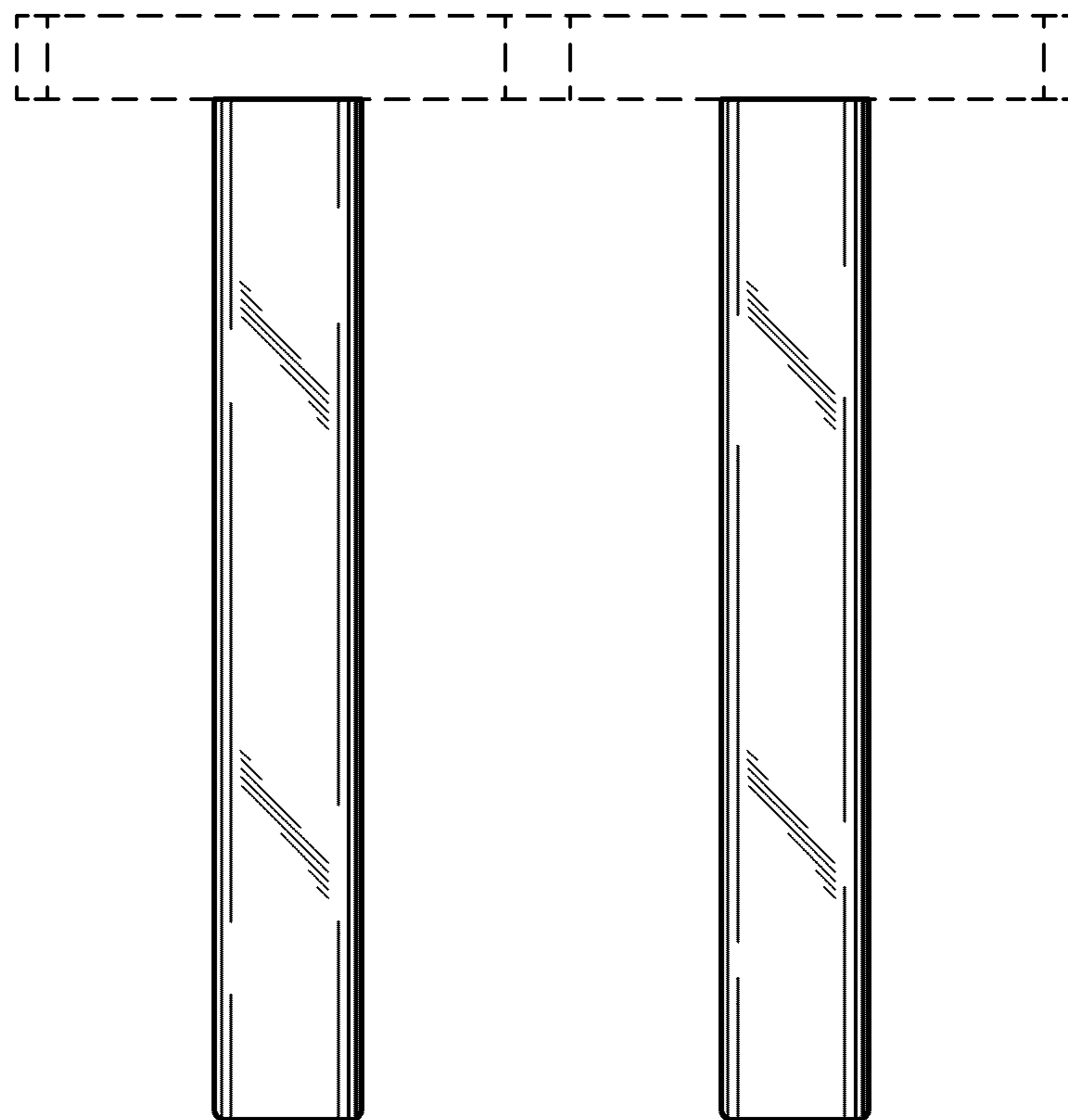
Stact Wine Displays Inc., Stact revolutionary wine rack, 2013 (retrieved from <http://www.getstact.com/collections/wine-rack-revolutionized> on Jul. 18, 2013).

\* cited by examiner





**FIG. 3**



**FIG. 4**

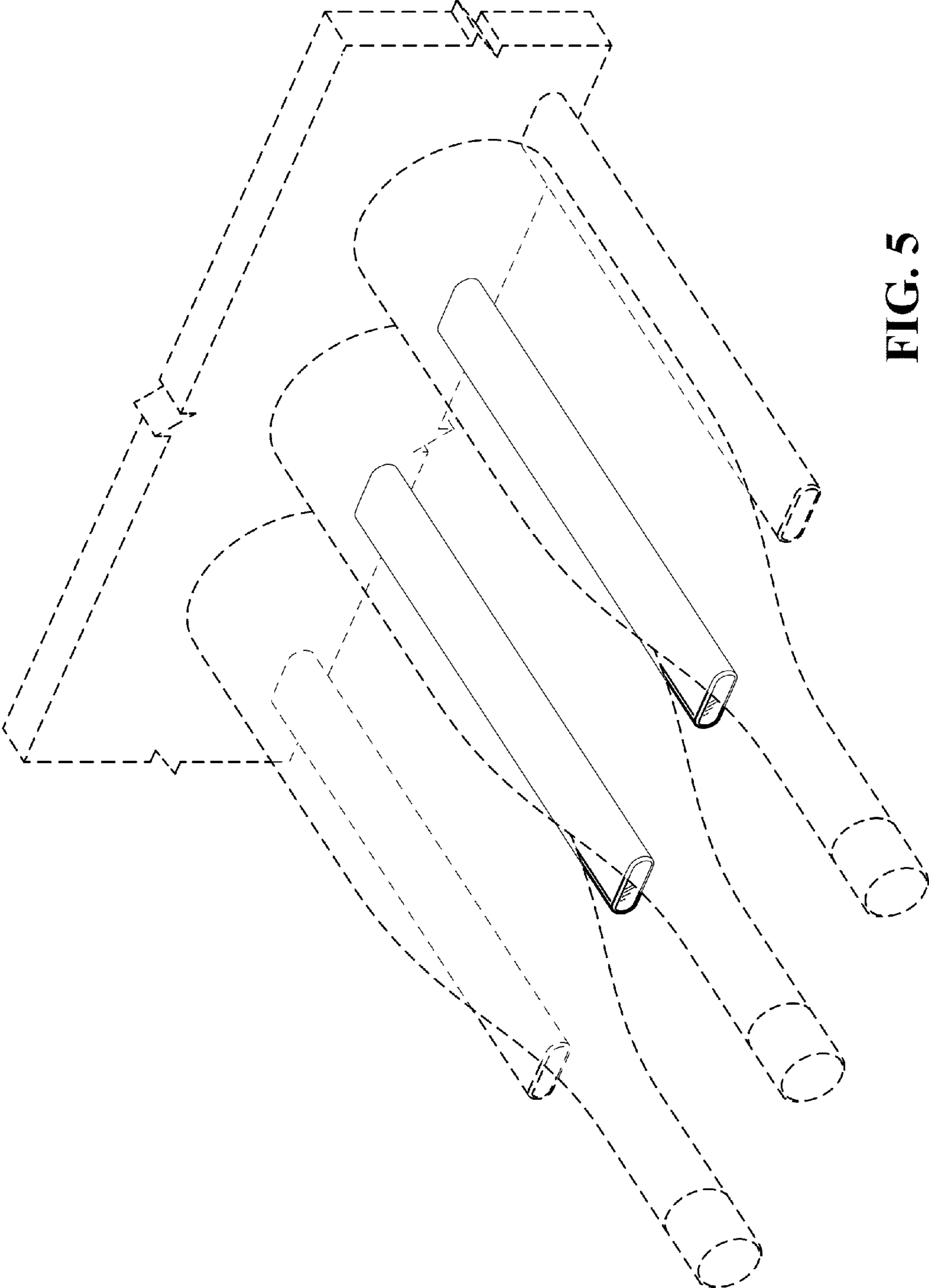


FIG. 5