

US00D708492S

(12) **United States Design Patent**  
**Myoung**

(10) **Patent No.:** **US D708,492 S**

(45) **Date of Patent:** **\*\* Jul. 8, 2014**

- (54) **PASTRY WHEEL**
- (71) Applicant: **Progressive International Corporation,**  
Kent, WA (US)
- (72) Inventor: **Sul Gi Myoung,** Federal Way, WA (US)
- (73) Assignee: **Progressive International Corporation,**  
Kent, WA (US)

6,438,850	B2 *	8/2002	Young et al. ....	30/162
D494,823	S *	8/2004	Overthun et al. ....	D8/20
D519,334	S *	4/2006	Molenaar .....	D7/694
7,134,209	B1 *	11/2006	Molenaar .....	30/319
7,185,436	B2 *	3/2007	Murphy et al. ....	30/279.6
D611,313	S *	3/2010	Eide et al. ....	D7/694
7,681,319	B2 *	3/2010	Gehlhausen .....	30/319
D652,271	S *	1/2012	Moore et al. ....	D7/694
2007/0186423	A1 *	8/2007	Chapman et al. ....	30/279.6
2008/0010838	A1 *	1/2008	Kortleven et al. ....	30/319

(\*\*) Term: **14 Years**

(21) Appl. No.: **29/443,153**

(22) Filed: **Jan. 14, 2013**

(51) **LOC (10) Cl.** ..... **07-04**

(52) **U.S. Cl.**  
USPC ..... **D7/694**

(58) **Field of Classification Search**  
CPC ..... B26B 25/005  
USPC ..... D7/694; D8/98; 99/538; 30/306, 292,  
30/299, 139, 143, 151, 154-162, 307, 314,  
30/315, 319, 329, 276, 320, 334  
See application file for complete search history.

(56) **References Cited**

**U.S. PATENT DOCUMENTS**

4,020,550	A *	5/1977	Okada .....	30/124
D375,662	S *	11/1996	Noga .....	D7/694

\* cited by examiner

*Primary Examiner* — Terry Wallace

(74) *Attorney, Agent, or Firm* — Lowe Graham Jones PLLC

(57) **CLAIM**

I claim the ornamental design for pastry wheel, as shown and described.

**DESCRIPTION**

FIG. 1 is a perspective view of a pastry wheel, showing my new design.

FIG. 2 is a front view of the pastry wheel, the back view being identical.

FIG. 3 is a left side view of the pastry wheel.

FIG. 4 is a right side view of the pastry wheel.

FIG. 5 is a top view of the pastry wheel; and,

FIG. 6 is a bottom view of the pastry wheel.

Portions shown in phantom, including the tread and shape of a cutting wheel and blades, form no part of the claimed invention.

**1 Claim, 4 Drawing Sheets**



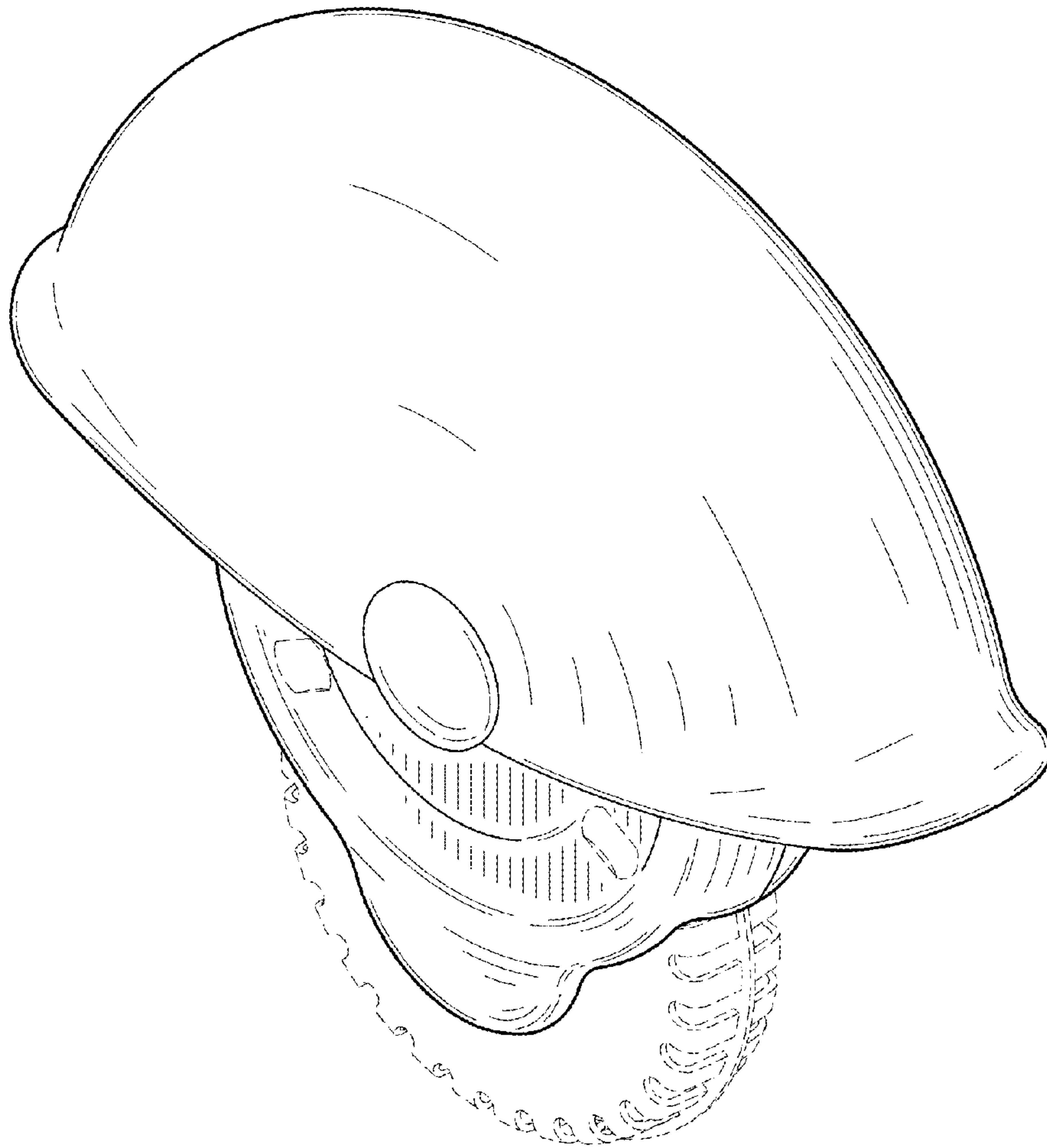


FIG.1

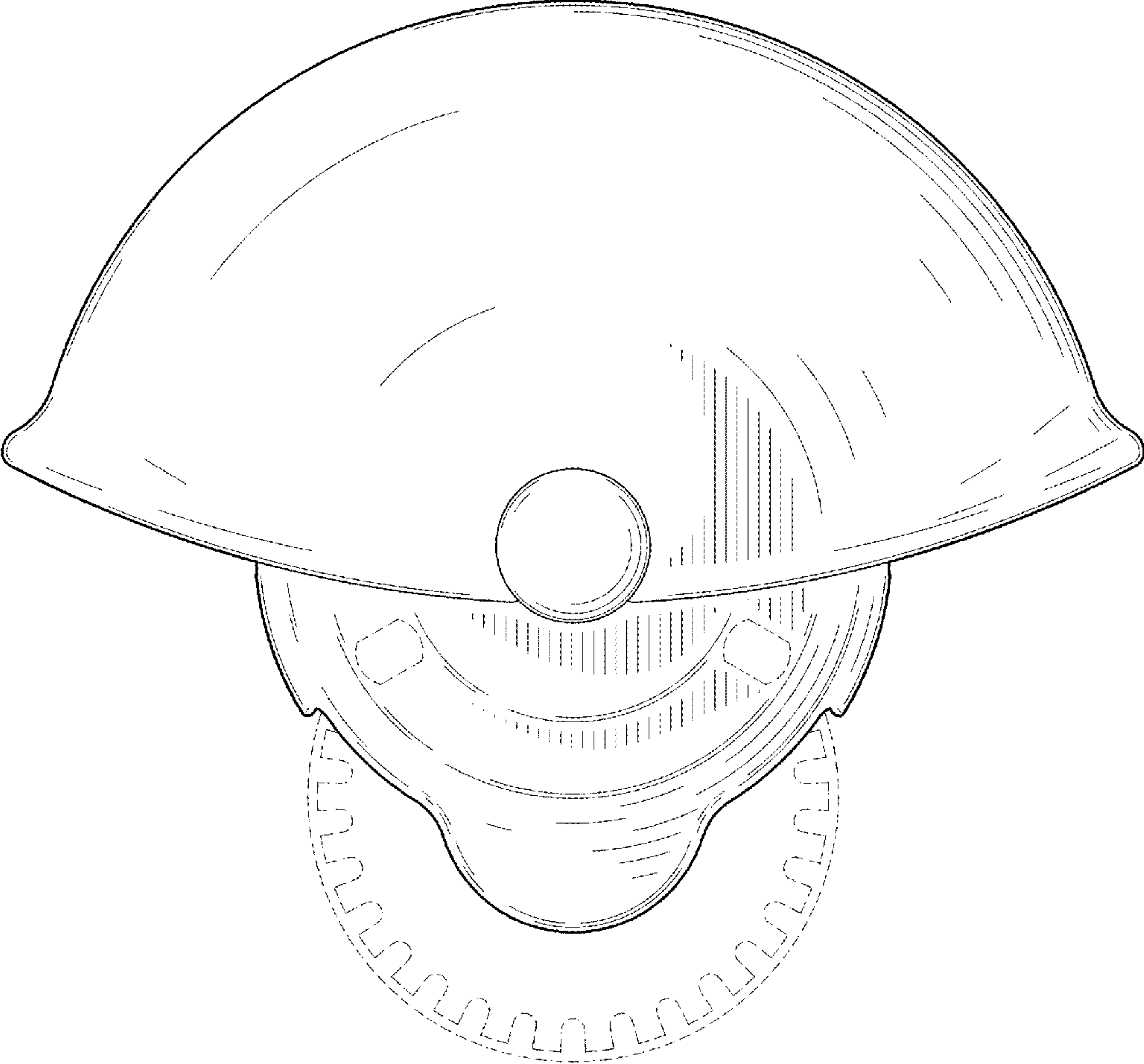


FIG.2

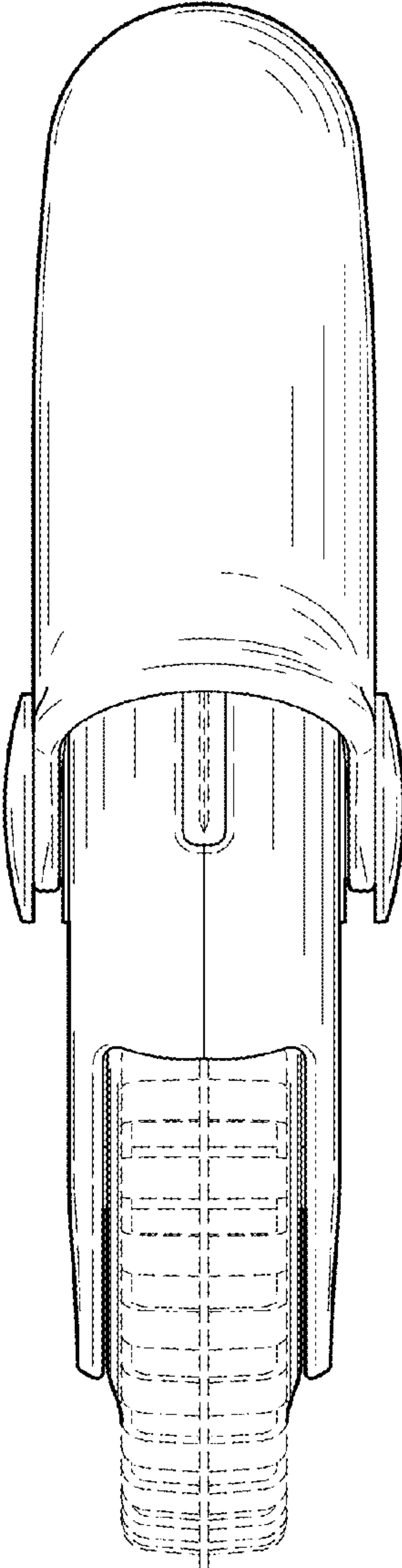


FIG. 3

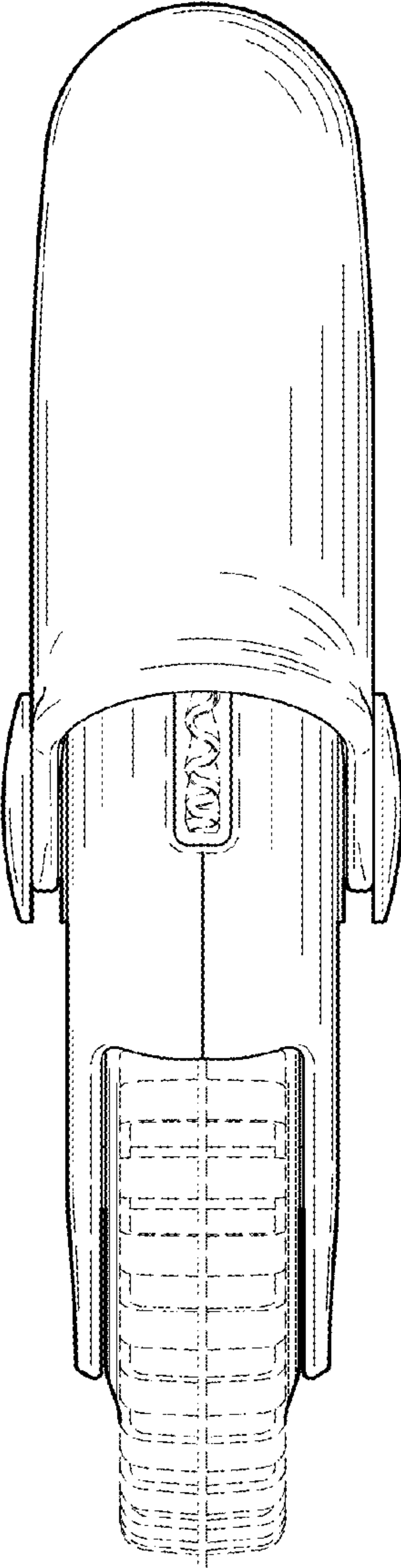


FIG. 4

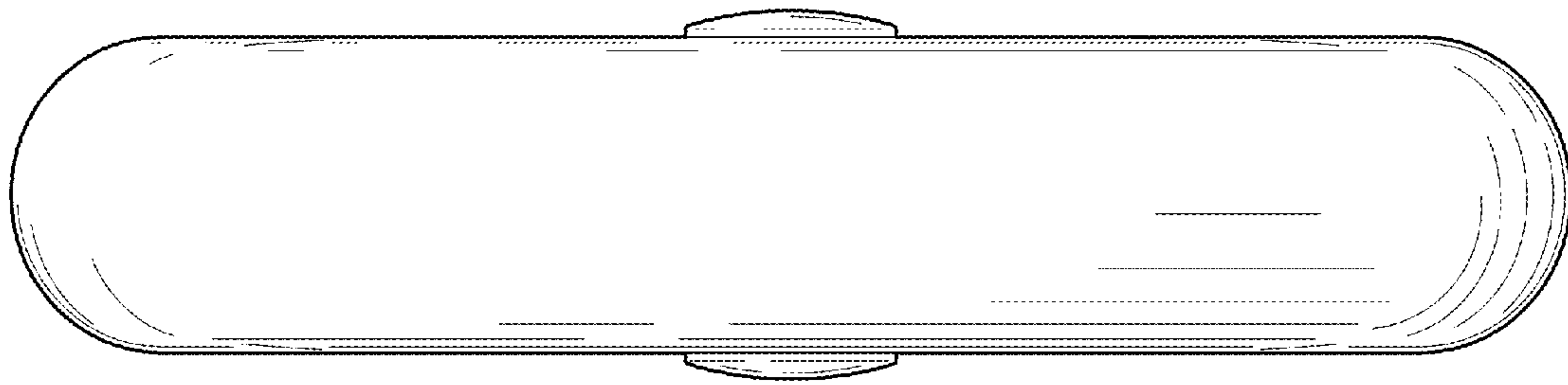


FIG. 5

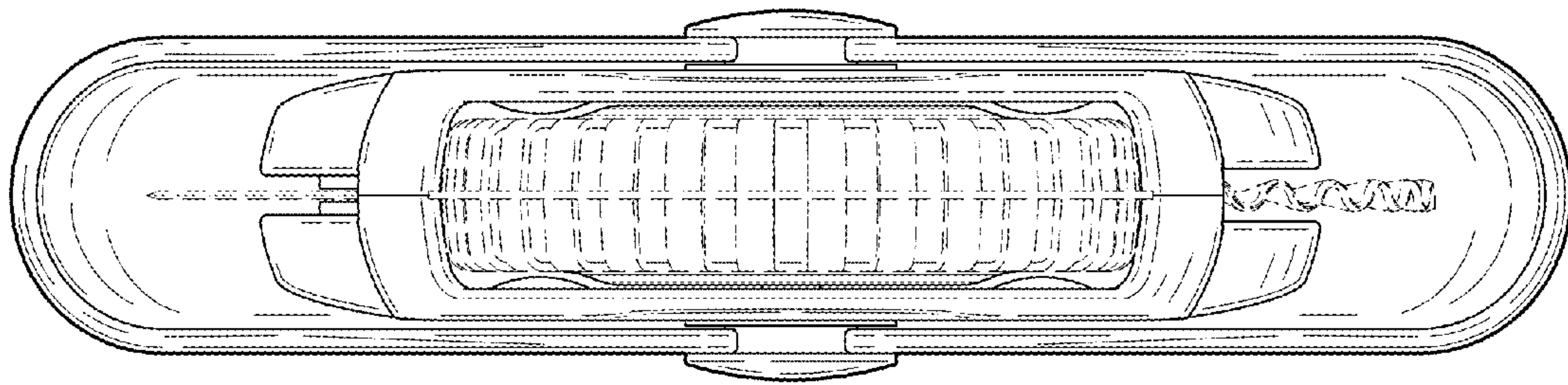


FIG. 6