



US00D708491S

(12) **United States Design Patent**
Ugalde

(10) **Patent No.:** **US D708,491 S**
(45) **Date of Patent:** **** Jul. 8, 2014**

(54) **CIRCULAR KNIFE**

(71) Applicant: **Hector Ugalde**, Miami, FL (US)

(72) Inventor: **Hector Ugalde**, Miami, FL (US)

(**) Term: **14 Years**

(21) Appl. No.: **29/451,348**

(22) Filed: **Apr. 1, 2013**

(51) **LOC (10) Cl.** **07-06**

(52) **U.S. Cl.**
USPC **D7/693**

(58) **Field of Classification Search**
USPC D7/693-696, 649-652; 99/542, 544;
30/113.1, 113.3, 316, 301, 302, 130,
30/299

See application file for complete search history.

(56) **References Cited**

U.S. PATENT DOCUMENTS

2,615,245 A * 10/1952 Schaumleffel 30/130
2,990,615 A * 7/1961 Ohler 30/316

4,596,073 A * 6/1986 Ewald 30/113.1
4,690,047 A * 9/1987 Balzano 99/542
5,481,803 A * 1/1996 Guthrie et al. 30/113.3

* cited by examiner

Primary Examiner — Terry Wallace

(74) *Attorney, Agent, or Firm* — Albert Bordas, P.A.

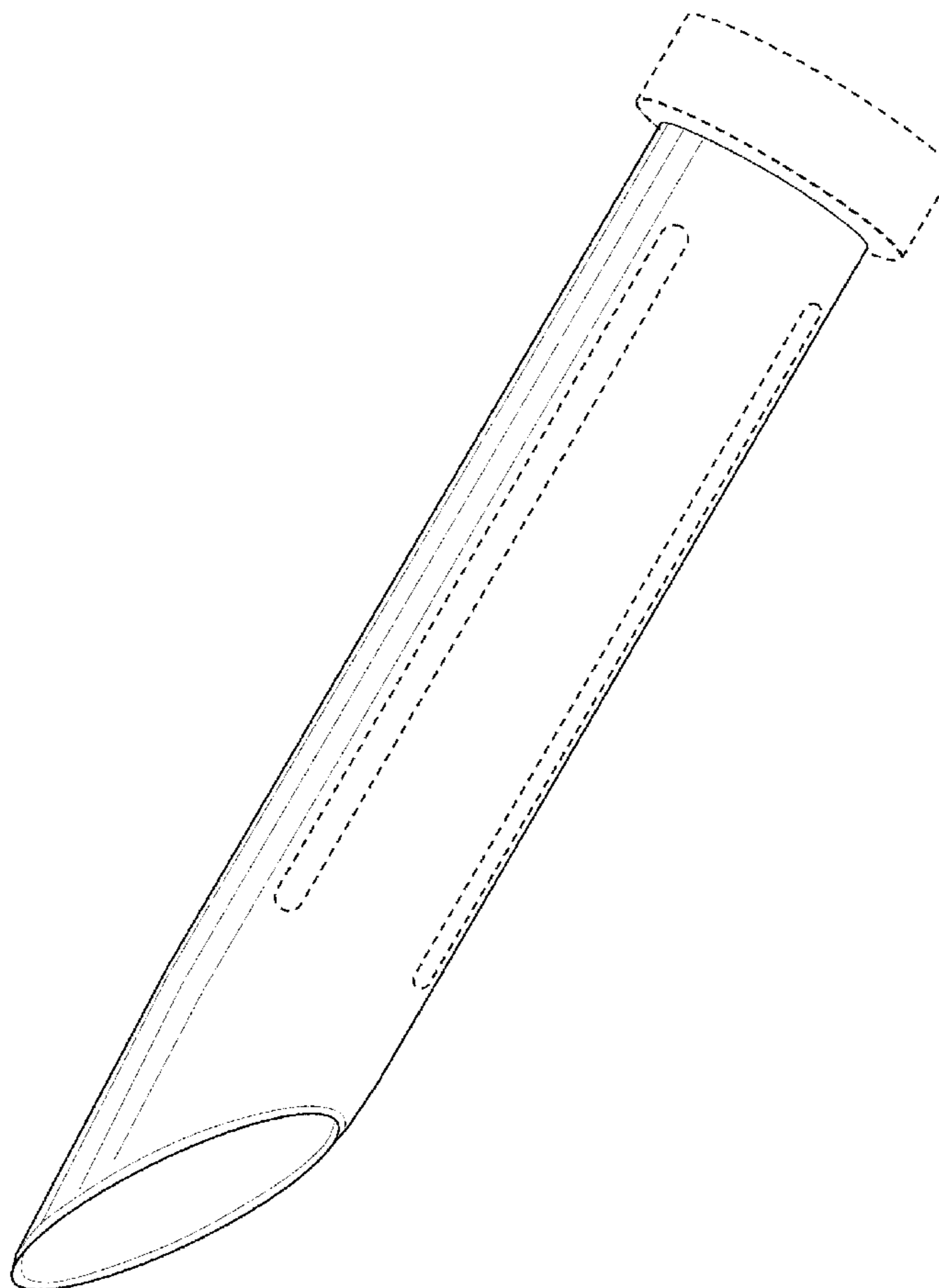
(57) **CLAIM**

The ornamental design for a circular knife, as shown and described.

DESCRIPTION

FIG. 1 is a top plan view of a circular knife;
FIG. 2 is a front elevational view thereof;
FIG. 3 is a bottom view thereof;
FIG. 4 is a right-side view thereof, the left-side view being a mirror image thereof;
FIG. 5 is a rear elevational view thereof; and,
FIG. 6 is an isometric view thereof.
The broken lines are for environmental purposes only and form no part of the claimed design.
The claimed circular knife is used to cut and/or peel food, especially fruits and vegetables; and can also remove food cores and central columns of oranges, lemons, apples, etc.

1 Claim, 3 Drawing Sheets



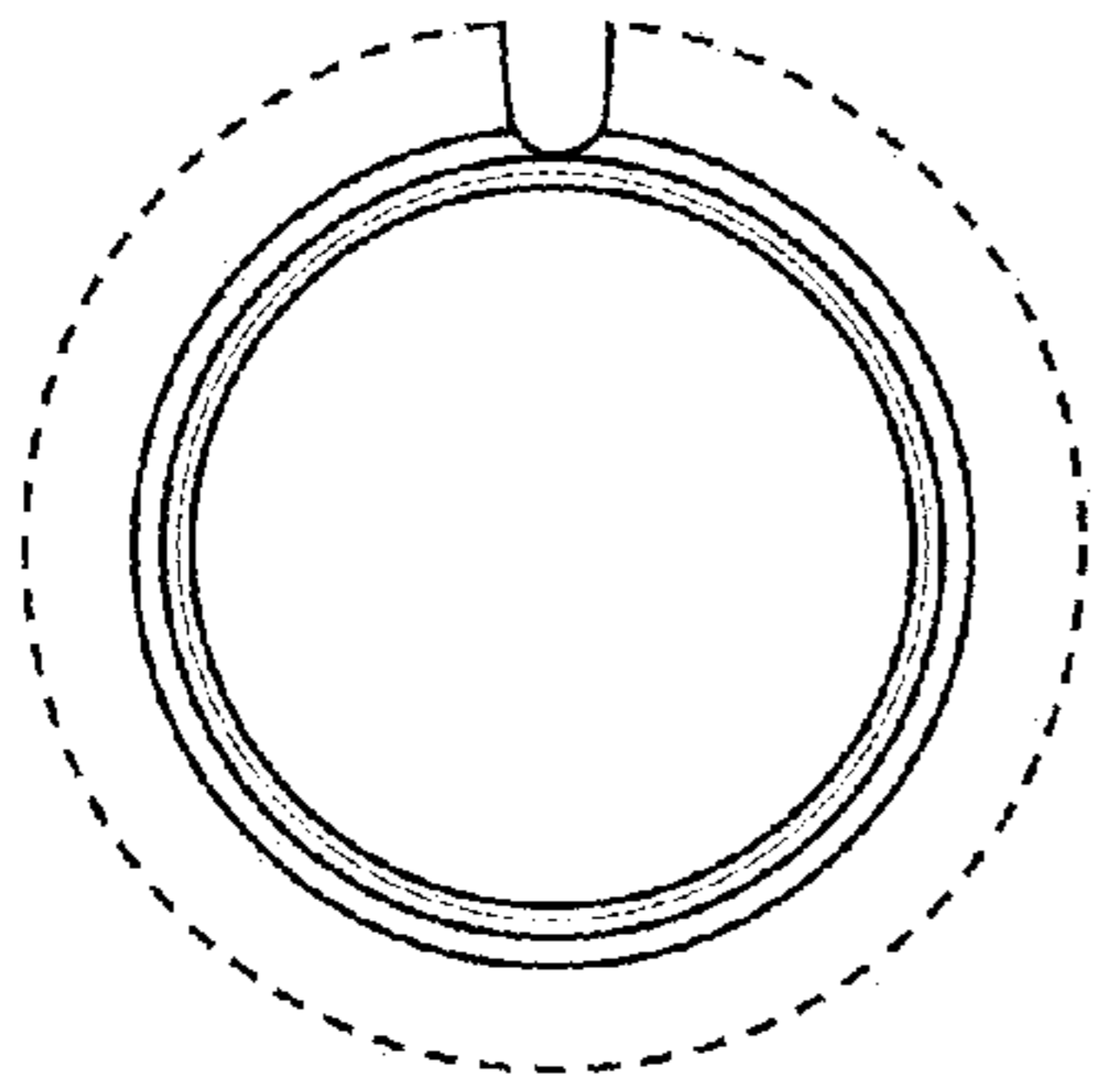


Fig. 1

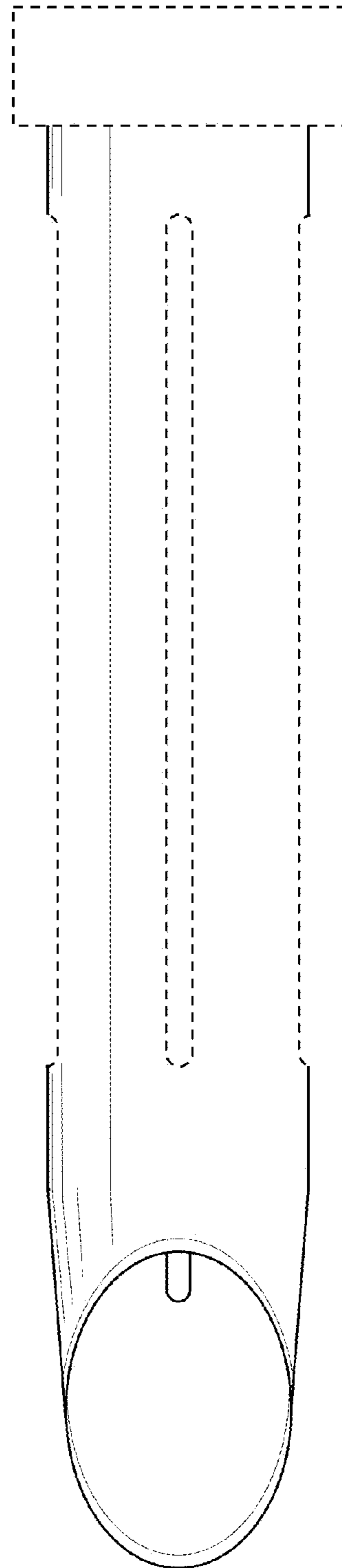


Fig. 2

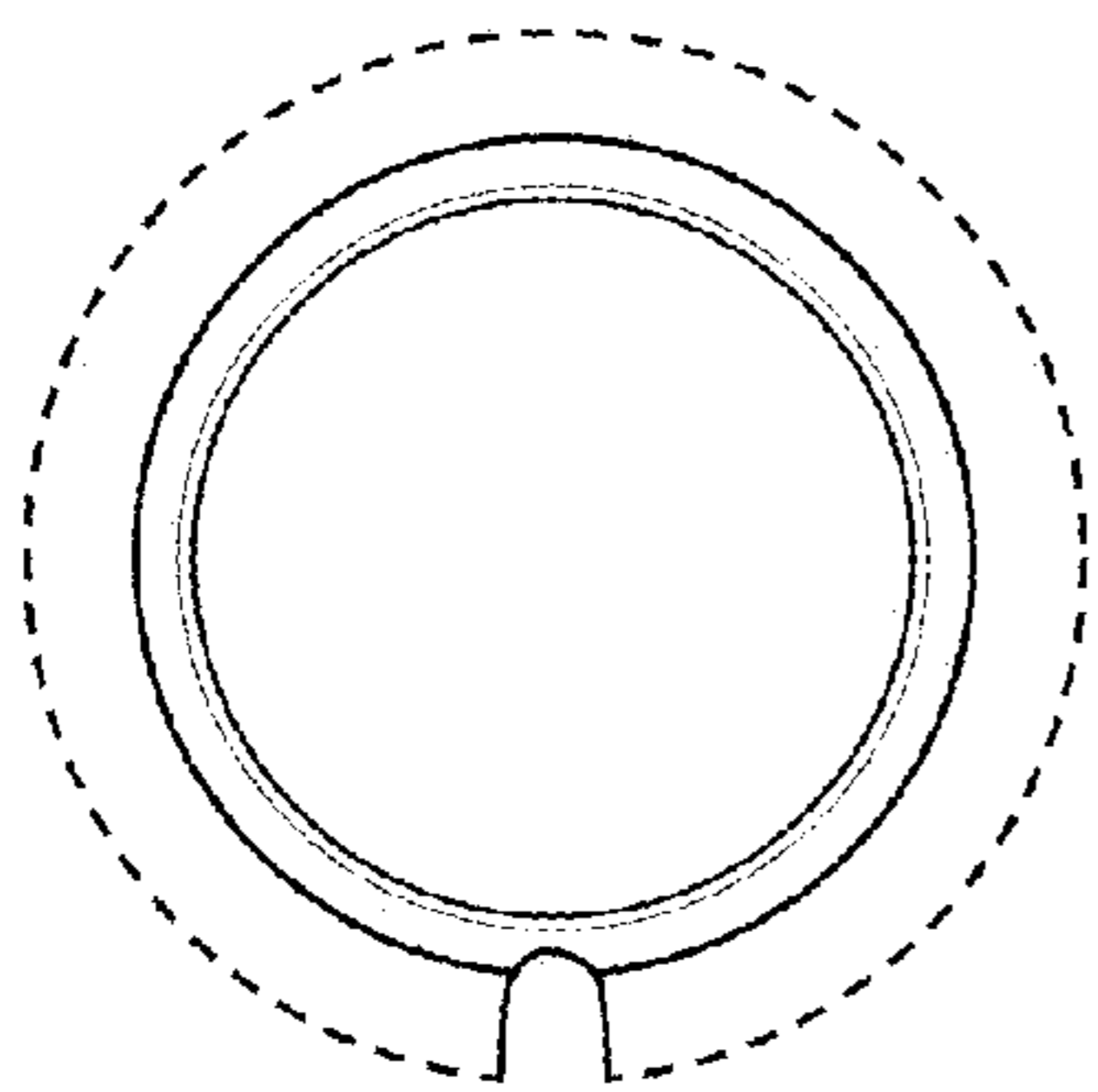


Fig. 3

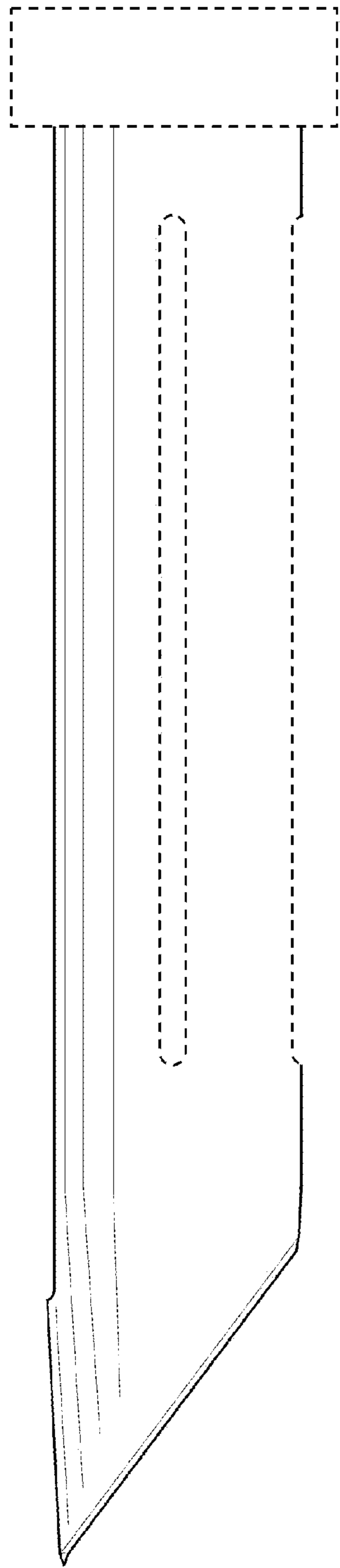


Fig. 4

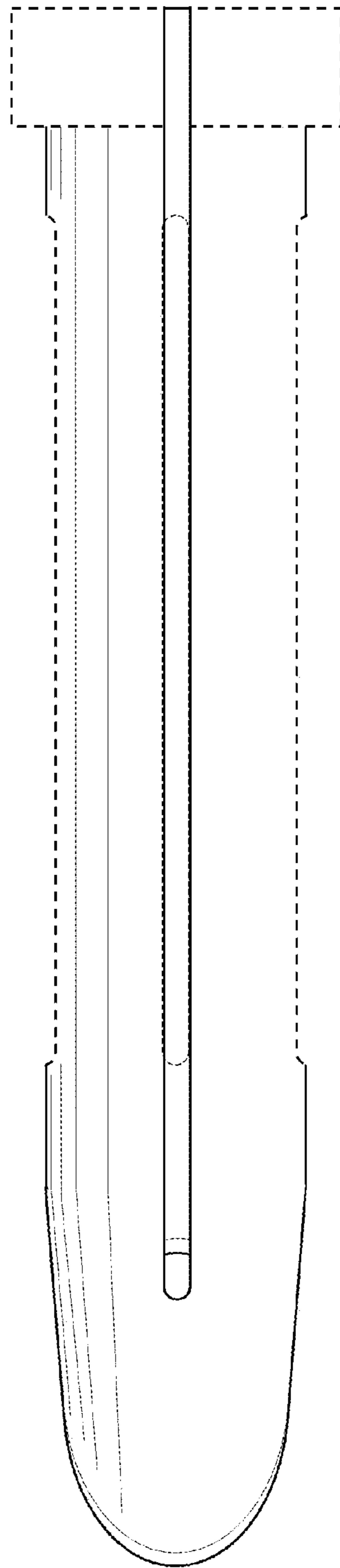


Fig. 5

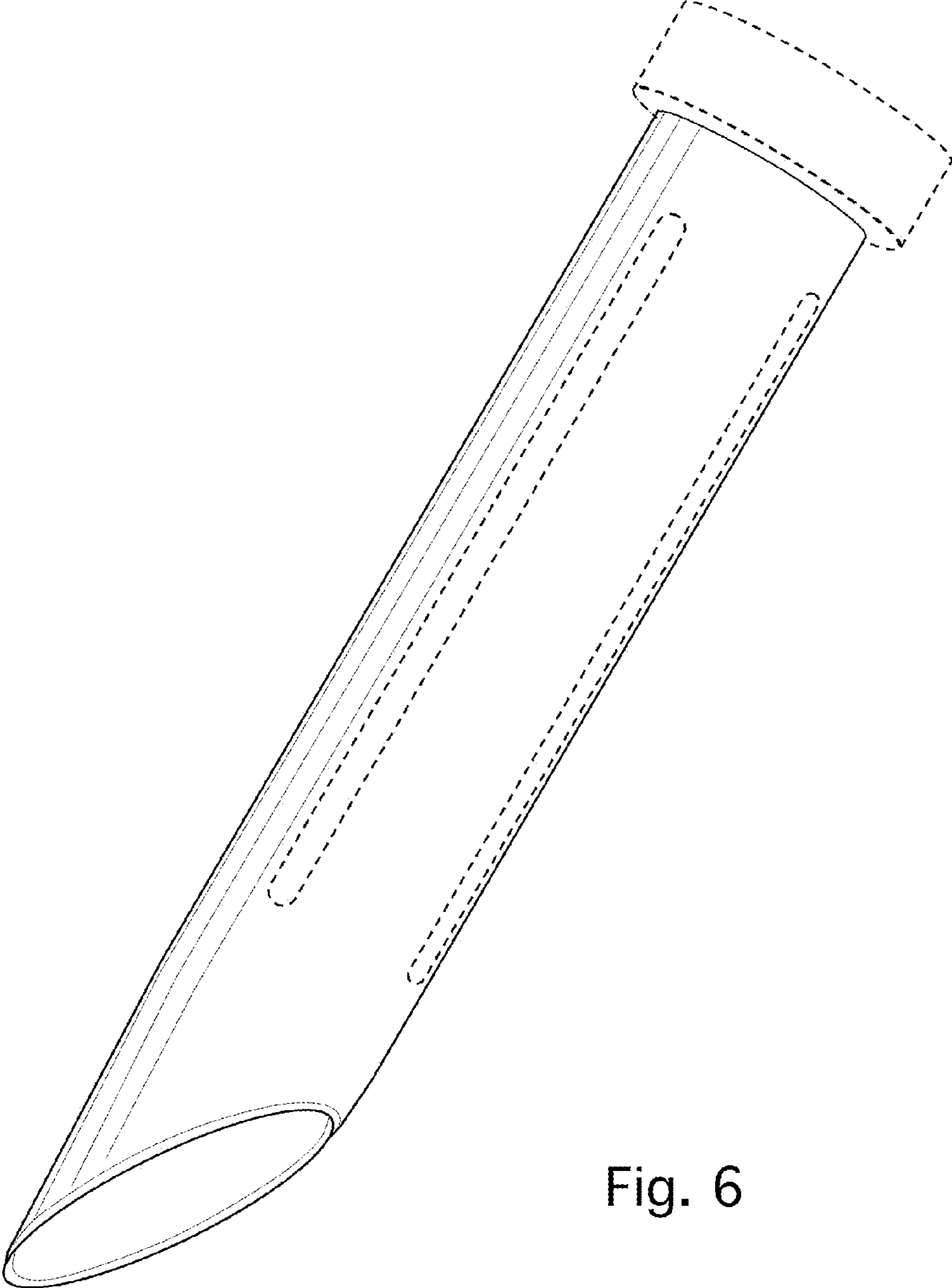


Fig. 6