



US00D708490S

(12) **United States Design Patent**
LeGreve et al.

(10) **Patent No.:** **US D708,490 S**
(45) **Date of Patent:** **** Jul. 8, 2014**

(54) **UTENSIL**

(71) Applicant: **The Vollrath Company, L.L.C.**,
Sheboygan, WI (US)

(72) Inventors: **Mark V. LeGreve**, Two Rivers, WI (US);
Dake Wang, Sheboygan, WI (US)

(73) Assignee: **The Vollrath Company, L.L.C.**,
Sheboygan, WI (US)

(**) Term: **14 Years**

(21) Appl. No.: **29/449,277**

(22) Filed: **Mar. 14, 2013**

(51) **LOC (10) Cl.** **07-99**

(52) **U.S. Cl.**
USPC **D7/681**

(58) **Field of Classification Search**
USPC D7/680-696, 393, 395, 401.1;
30/324-328; 425/187, 276-285, 169,
425/299, DIG. 13
See application file for complete search history.

(56) **References Cited**

U.S. PATENT DOCUMENTS

841,097	A	1/1907	Aiken et al.	
1,109,576	A	9/1914	Gilchrist	
1,194,685	A	8/1916	Walker	
2,547,651	A	4/1951	McCrum	
3,322,075	A	5/1967	Cronheim	
3,421,456	A	1/1969	Weinstein	
3,598,062	A	8/1971	Weinstein	
D312,193	S	11/1990	Cooper	
5,000,672	A *	3/1991	Halimi	425/279
5,044,914	A	9/1991	Schulling	
5,253,557	A	10/1993	Dolak	
D361,480	S	8/1995	Cooper	
D371,283	S	7/1996	Cooper	

D391,811	S *	3/1998	Molo	D7/681
D486,354	S	2/2004	Bratton et al.	
D487,863	S *	3/2004	Bitonto et al.	D7/681
D501,373	S *	2/2005	Allen et al.	D7/681
D513,946	S *	1/2006	Lion et al.	D7/681
D617,155	S *	6/2010	Frank	D7/681
D630,063	S *	1/2011	Funke et al.	D7/681

OTHER PUBLICATIONS

Zeroll, Ice Cream Scoop Brochure, dated 2007, 14 pages.

* cited by examiner

Primary Examiner — Terry Wallace

(74) *Attorney, Agent, or Firm* — Foley & Lardner LLP

(57) **CLAIM**

We claim the ornamental design for a utensil, as shown and described.

DESCRIPTION

FIG. 1 is a top perspective view from above of the claimed design;

FIG. 2 is a top view of the claimed design of FIG. 1;

FIG. 3 is a bottom view of the claimed design of FIG. 1;

FIG. 4 is a right side view of the claimed design of FIG. 1;

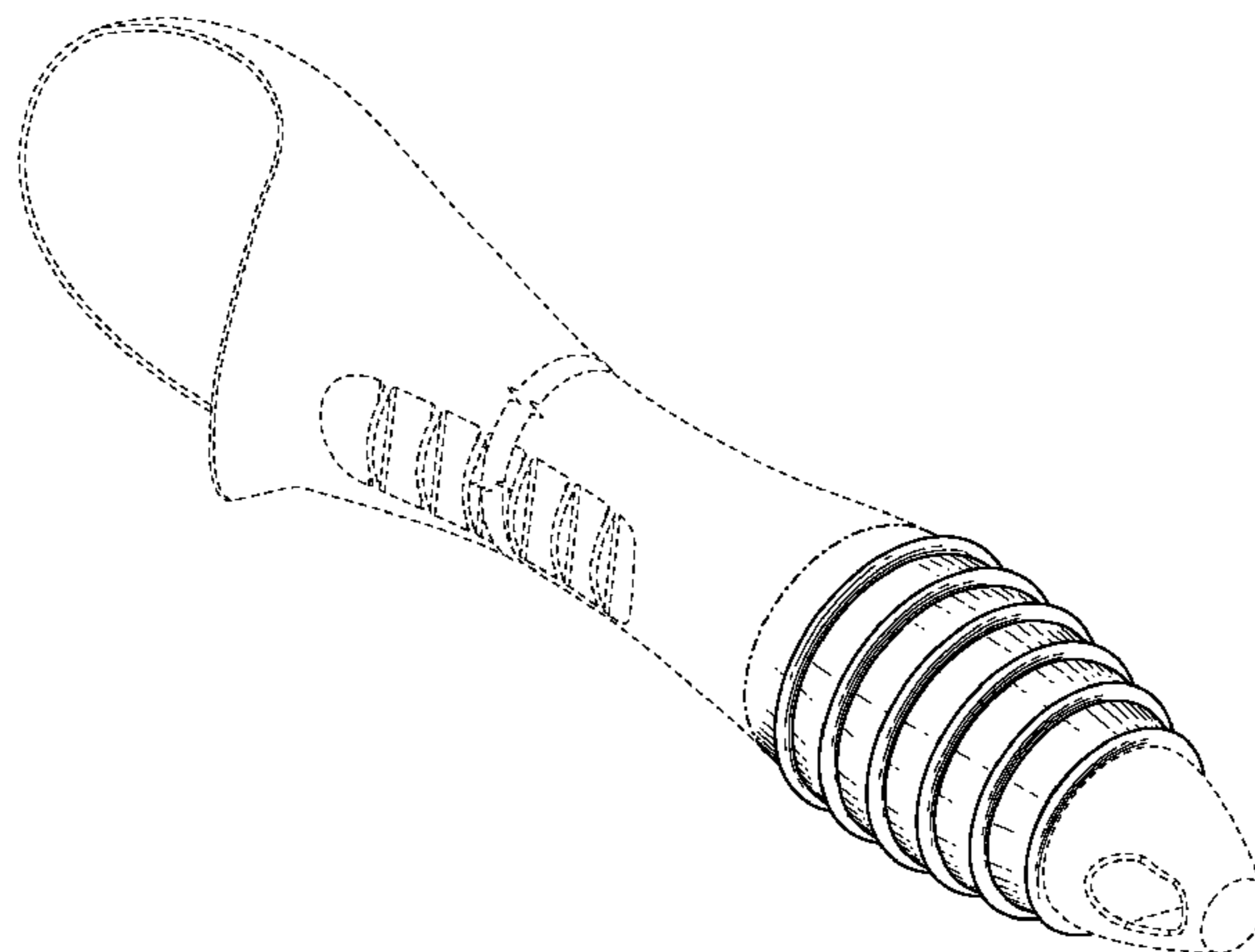
FIG. 5 is a left side view of the claimed design of FIG. 1;

FIG. 6 is a front view of the claimed design of FIG. 1; and,

FIG. 7 is a rear view of the claimed design of FIG. 1.

The broken lines in the drawings are for purposes of illustrating unclaimed portions of the design. Broken lines formed by equal length dashes show unclaimed portions of the design. Broken lines formed of unequal length dashes (i.e., dash-dot) show boundaries between claimed and unclaimed portions of the design. Symbolic break lines having a jagged element show that no particular length of the portion is claimed, such lines and any portion of the article between such lines form no part of the claimed design.

1 Claim, 4 Drawing Sheets



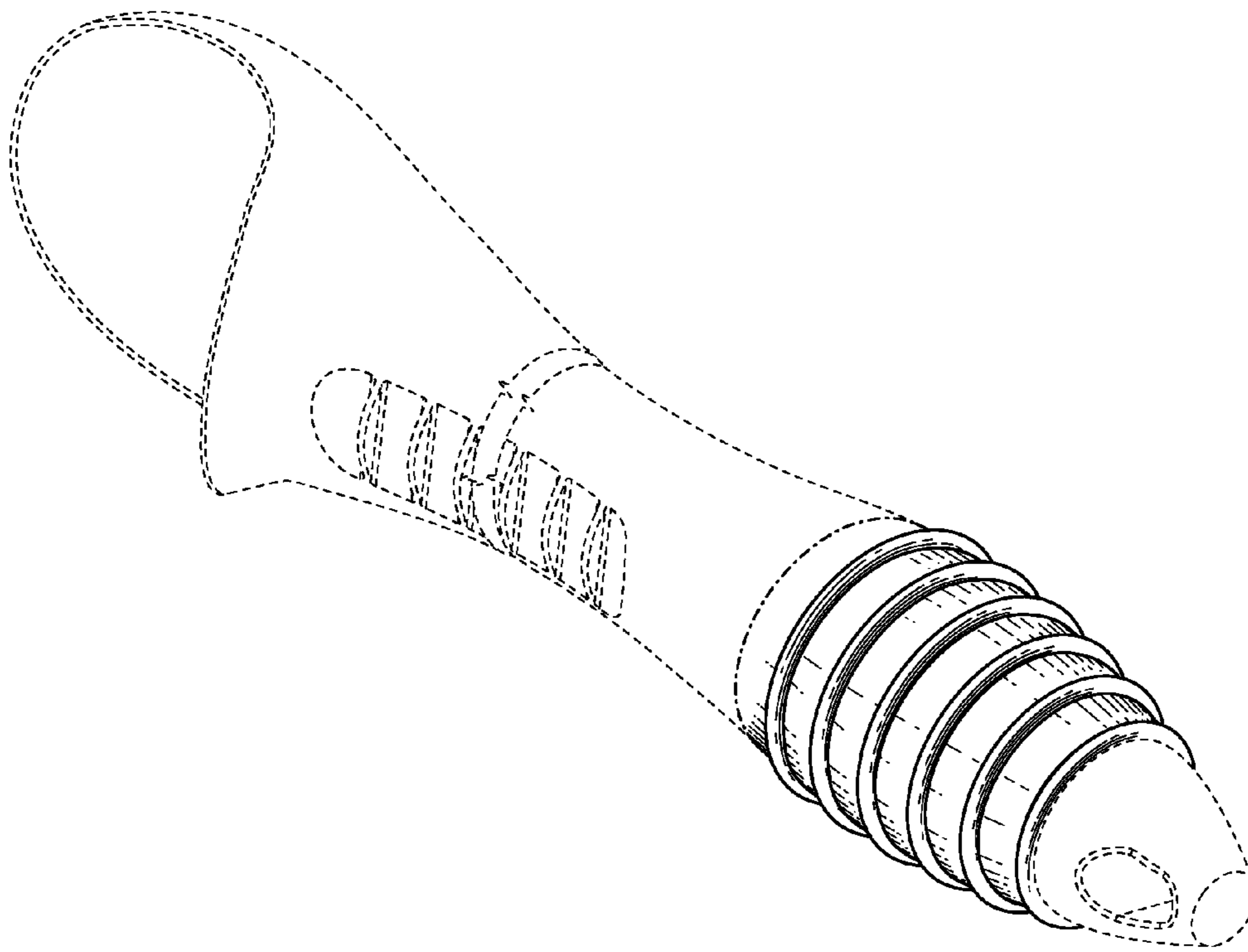


FIG. 1

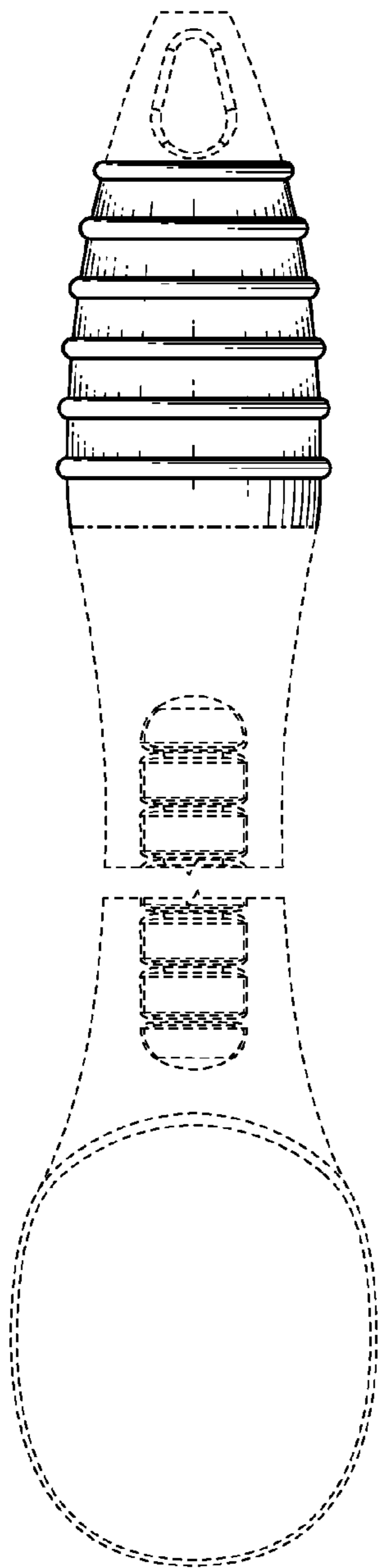


FIG. 2

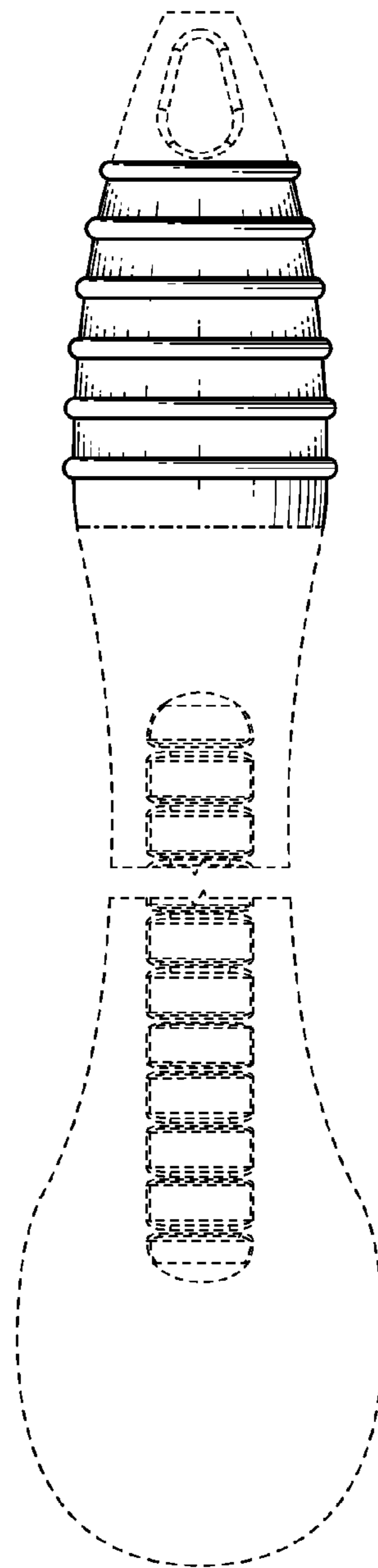


FIG. 3

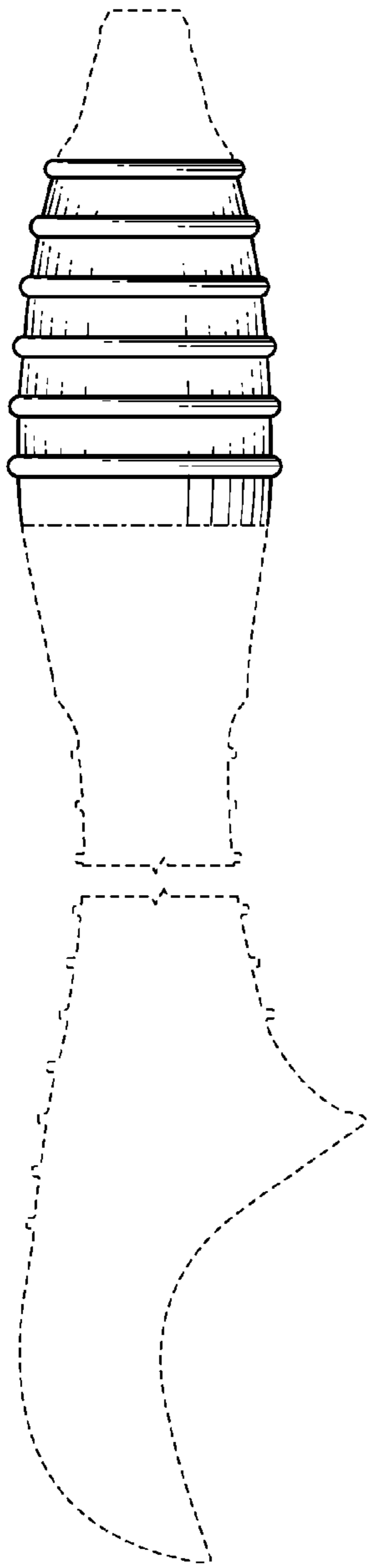


FIG. 4

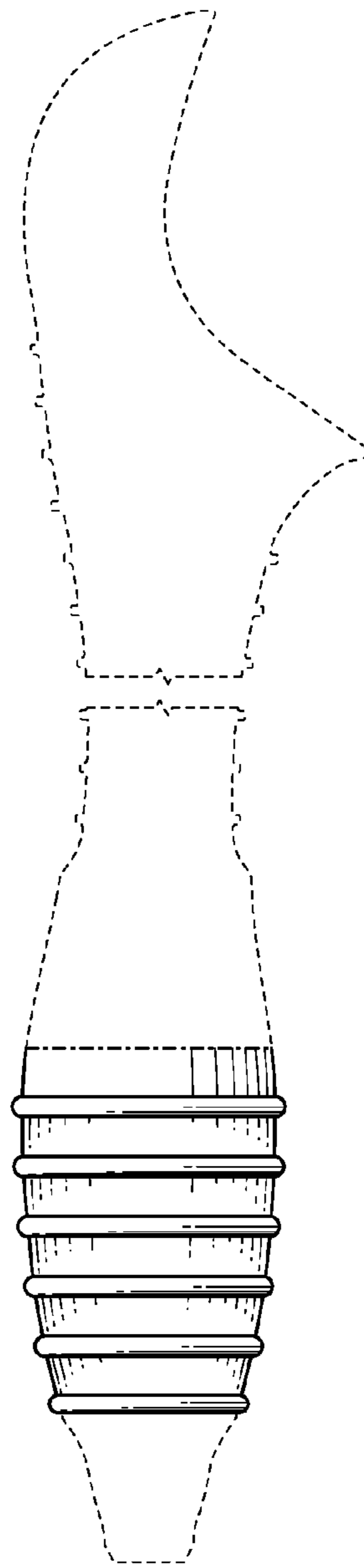


FIG. 5

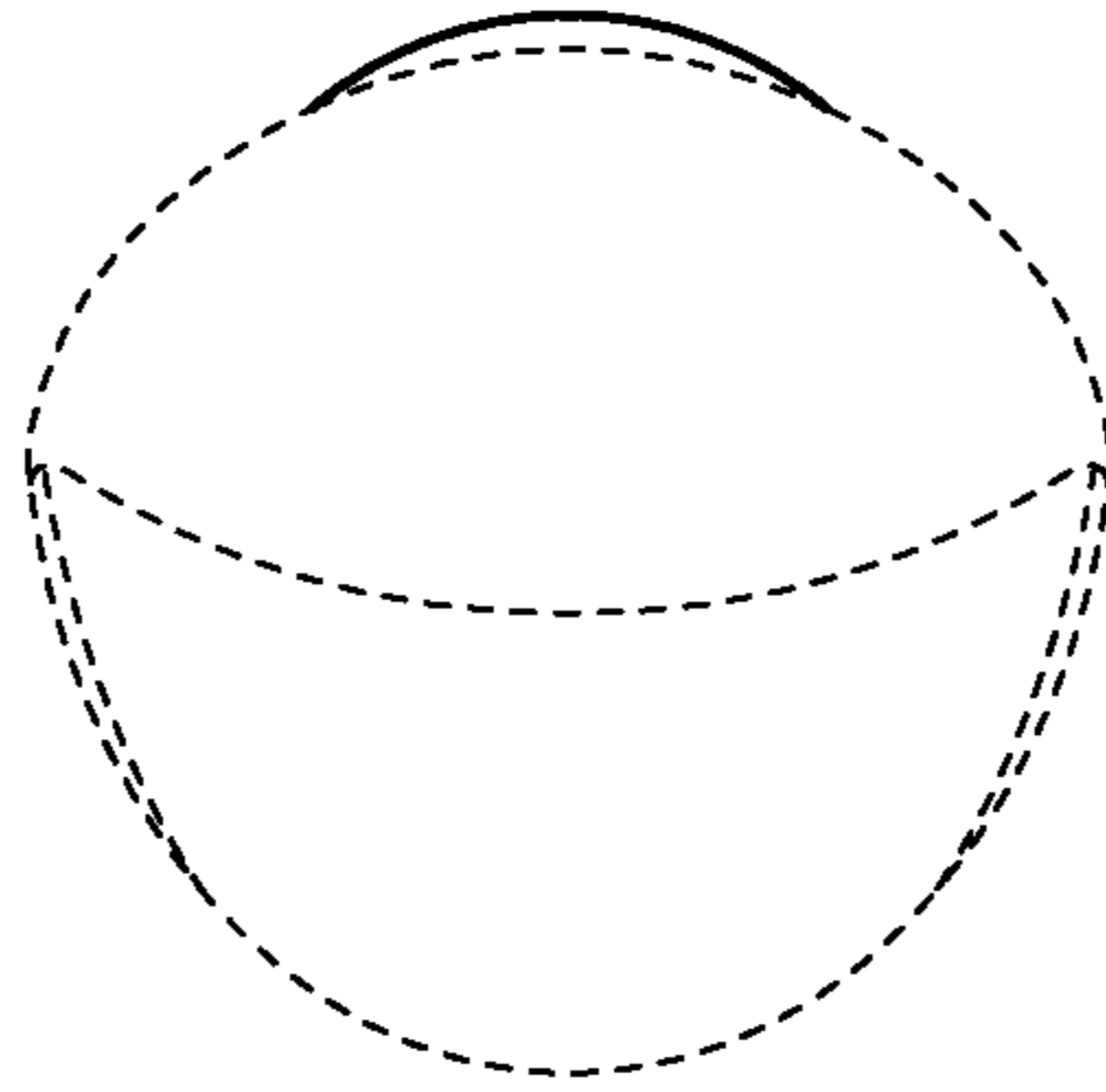


FIG. 6

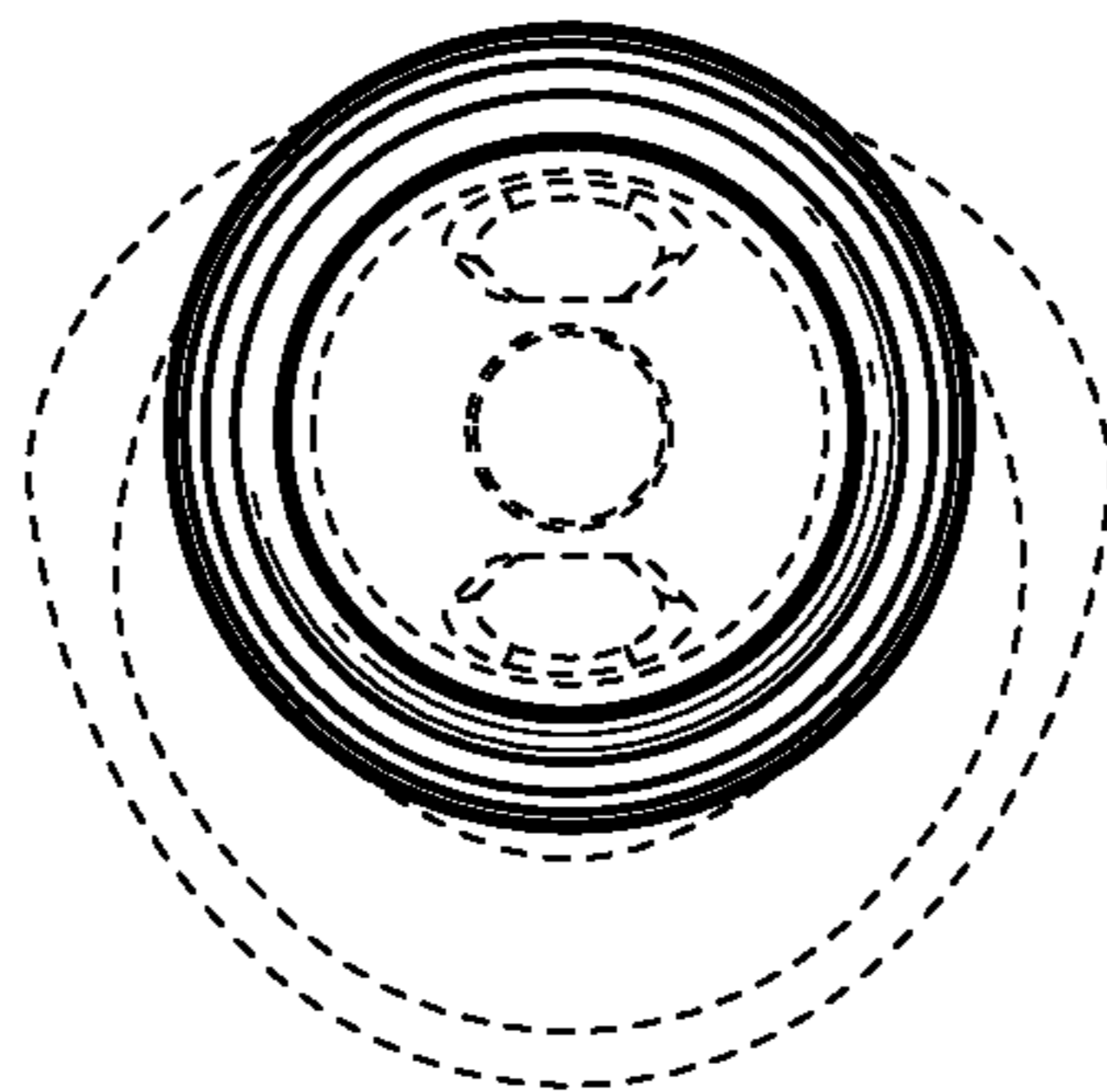


FIG. 7