



US00D708487S

(12) **United States Design Patent**
Filipski

(10) **Patent No.:** **US D708,487 S**

(45) **Date of Patent:** **** Jul. 8, 2014**

(54) **KNIFE HOLDER**

(71) Applicant: **Jonathan B. Filipski**, Coppell, TX (US)

(72) Inventor: **Jonathan B. Filipski**, Coppell, TX (US)

(73) Assignee: **BASE + Group, Inc.**, Carrollton, TX
(US)

(**) Term: **14 Years**

(21) Appl. No.: **29/441,421**

(22) Filed: **Jan. 4, 2013**

(51) **LOC (10) Cl.** **07-99**

(52) **U.S. Cl.**
USPC **D7/637**

(58) **Field of Classification Search**
USPC D7/637-641; 211/69.1-69.9, 70.6,
211/70.7, 71.01, 41.2, 41.3, 41.7, 60.1;
248/37.3, 176.1, 174; 30/298.4, 296.1

See application file for complete search history.

(56) **References Cited**

U.S. PATENT DOCUMENTS

D411,718	S	*	6/1999	Davis et al.	D7/637
6,659,406	B2	*	12/2003	Tsuchida	248/37.3
D512,279	S	*	12/2005	Berger et al.	D7/637
D527,957	S	*	9/2006	Ranieri	D7/637
D571,161	S	*	6/2008	Snider	D7/637
D614,454	S	*	4/2010	Shapiro	D7/637

* cited by examiner

Primary Examiner — Terry Wallace

(74) *Attorney, Agent, or Firm* — W. Thomas Timmons

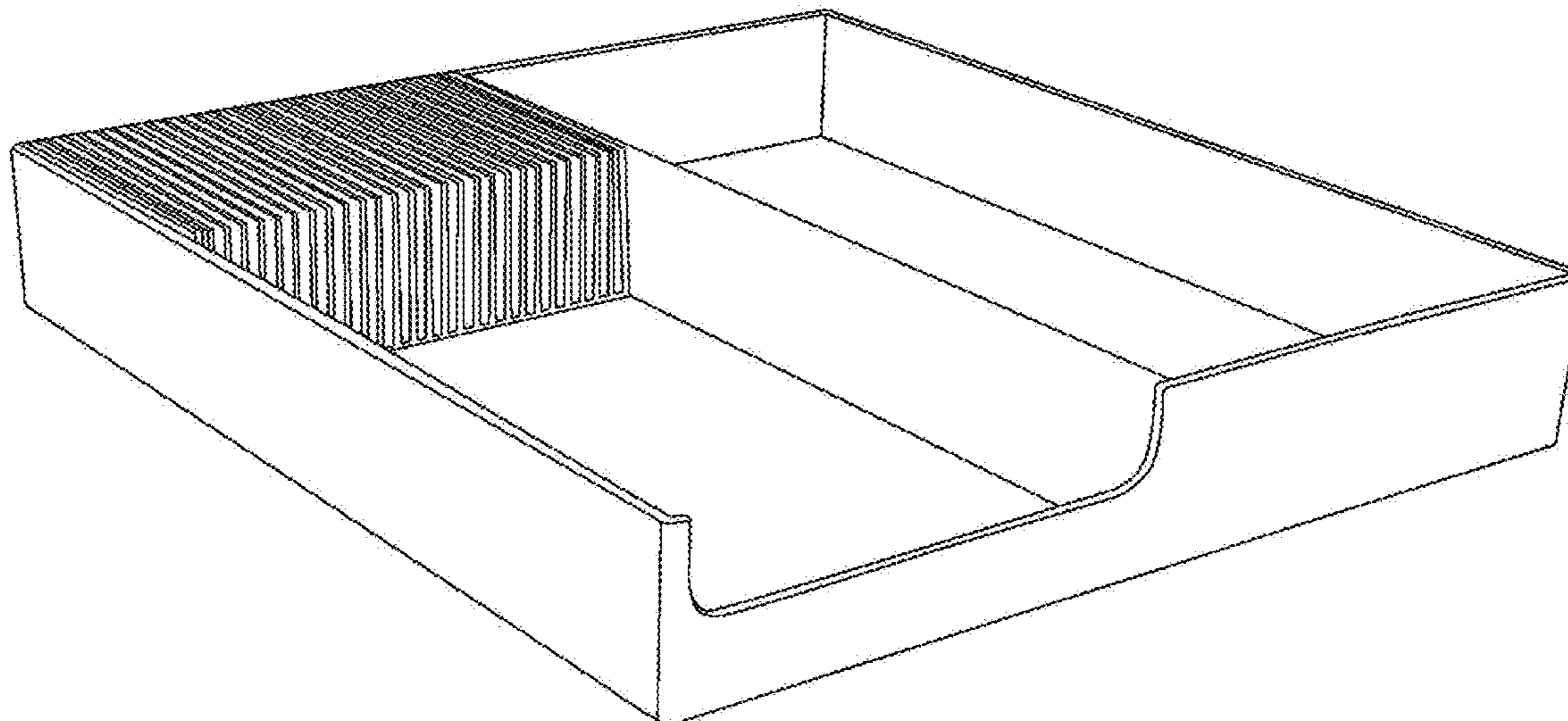
(57) **CLAIM**

The ornamental design for an knife holder, as shown and described.

DESCRIPTION

FIG. 1 is a top left front perspective view of an knife holder showing my new design;
FIG. 2 is a top front perspective view thereof;
FIG. 3 is a rear view thereof;
FIG. 4 is a top left perspective view thereof;
FIG. 5 is a left side elevation view thereof, the right side elevation view is identical;
FIG. 6 is a top view thereof; and,
FIG. 7 is a bottom view thereof.

1 Claim, 4 Drawing Sheets



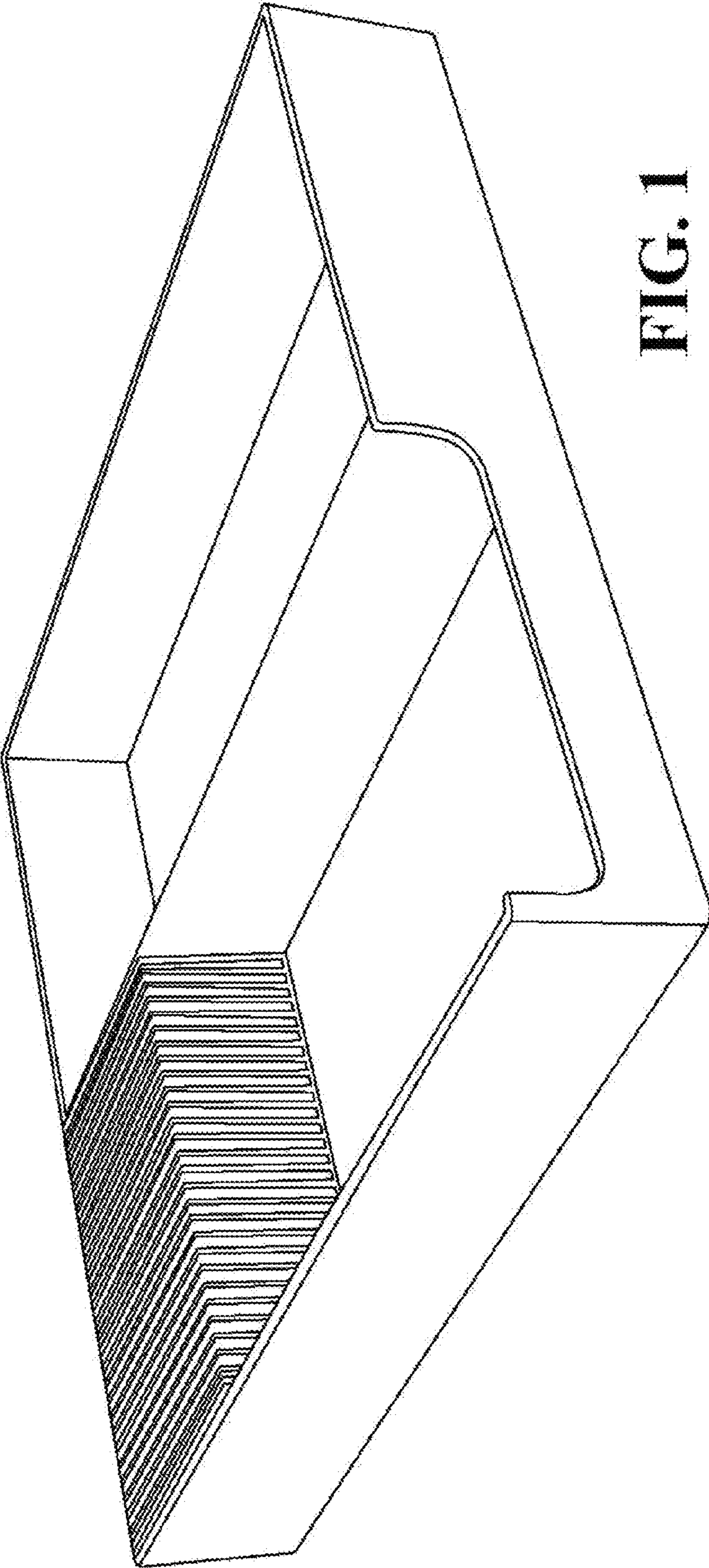


FIG. 1

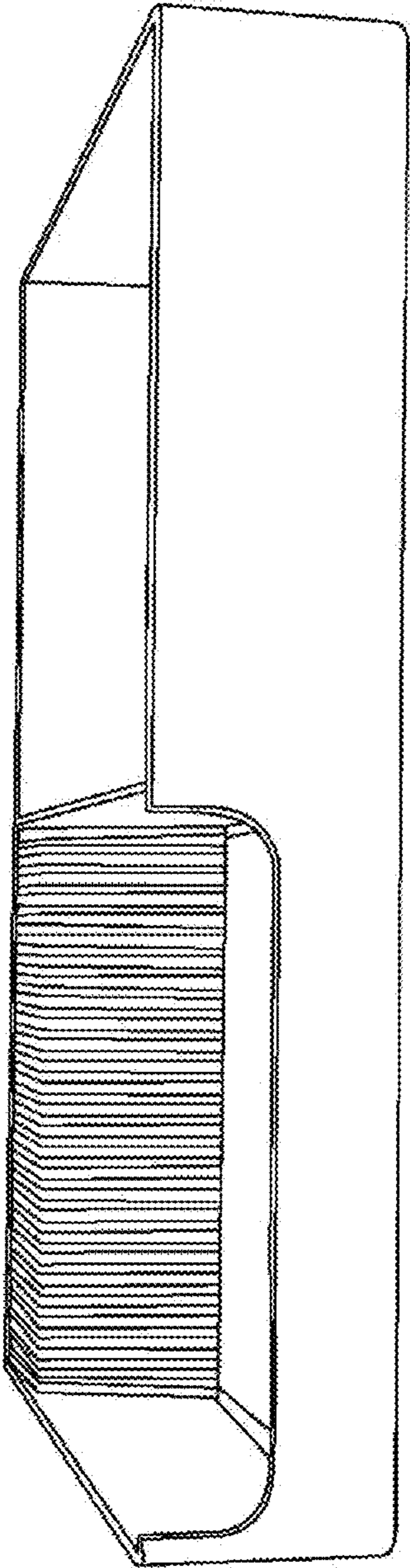


FIG. 2

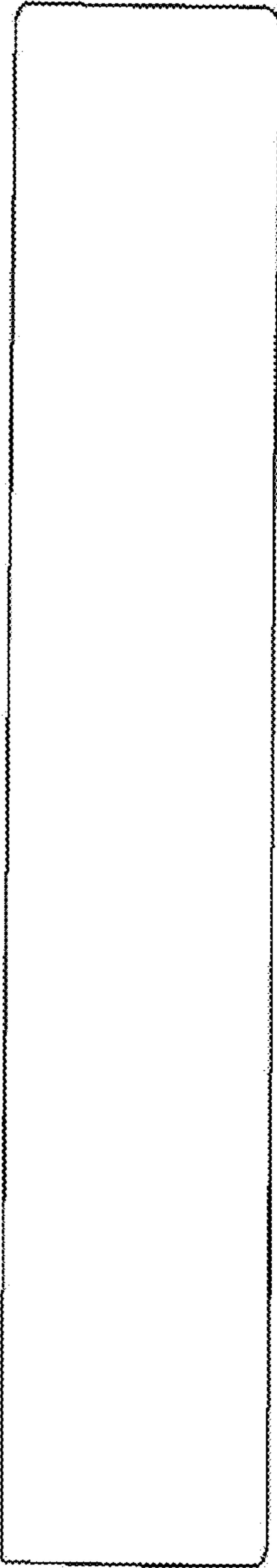


FIG. 3

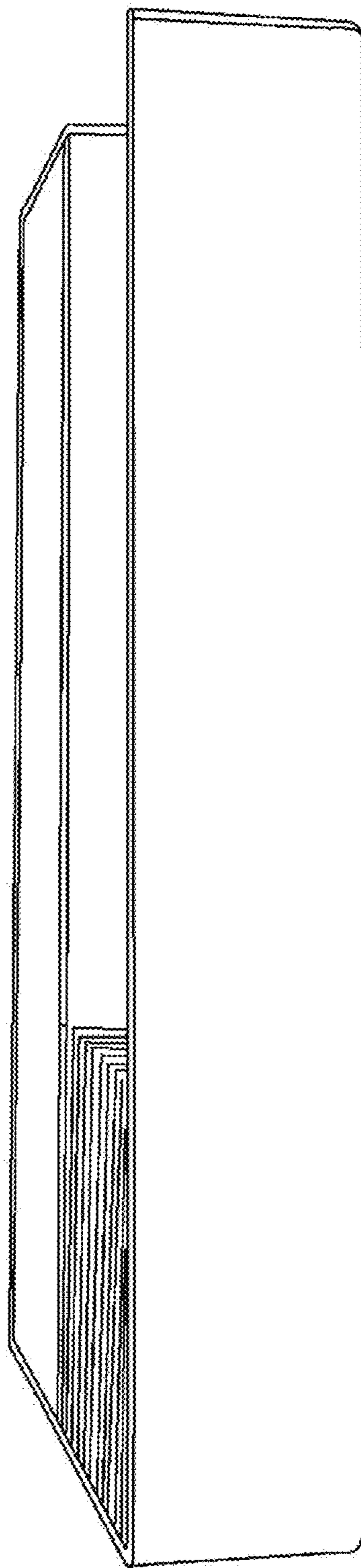


FIG. 4

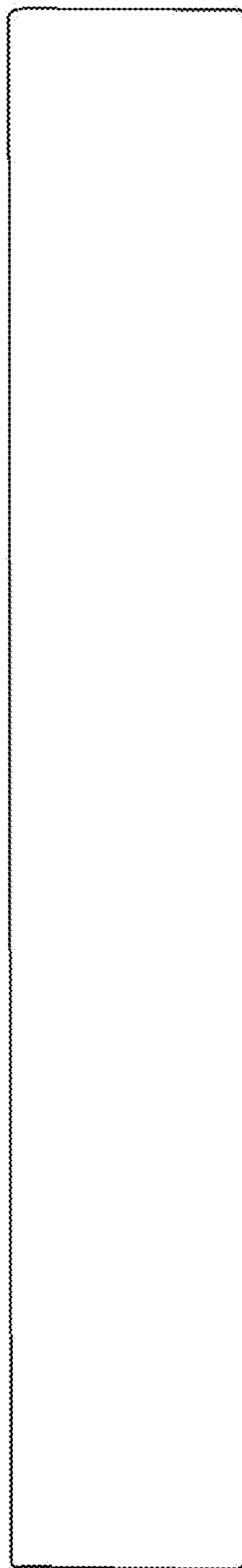


FIG. 5

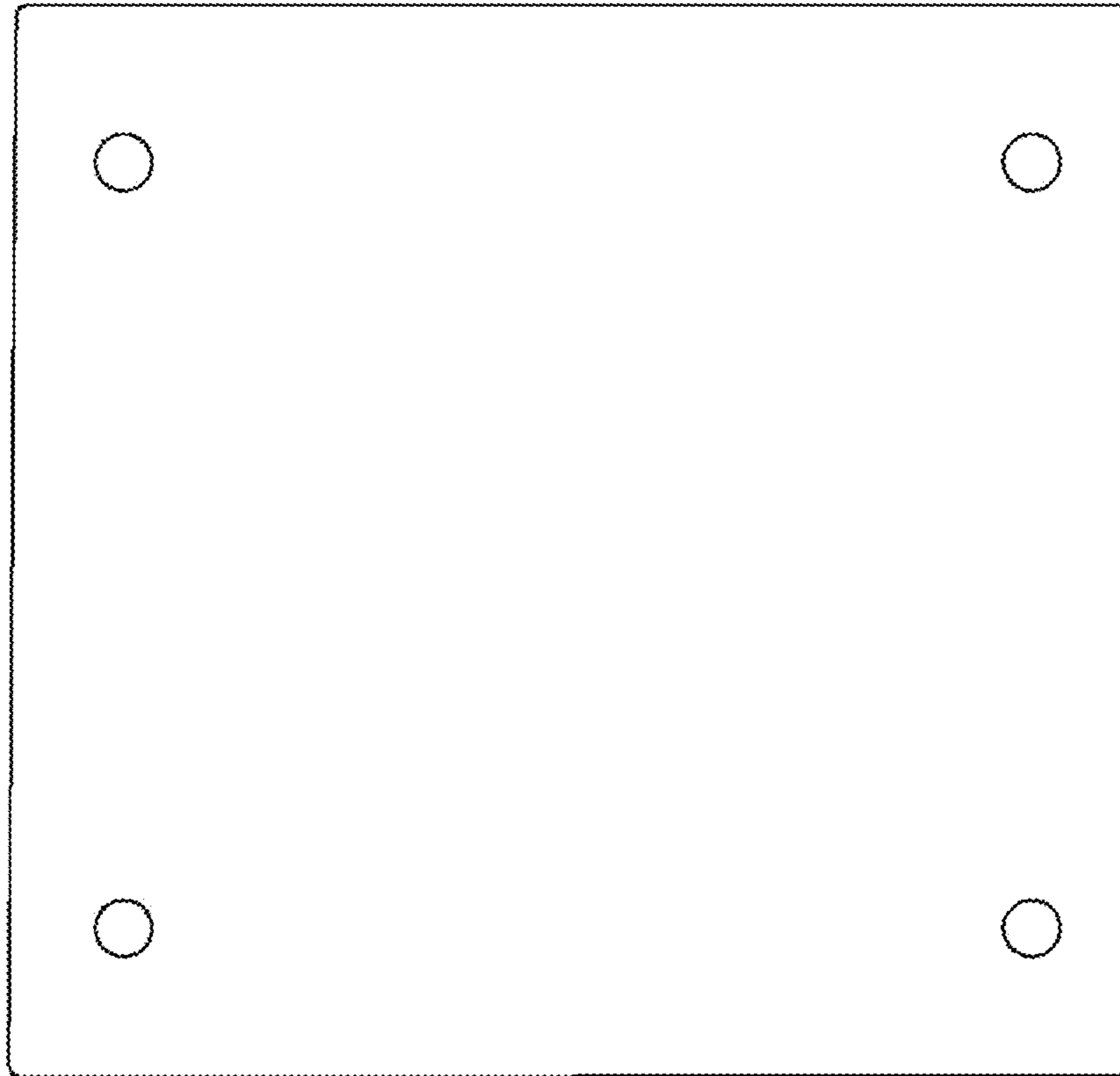


FIG. 6

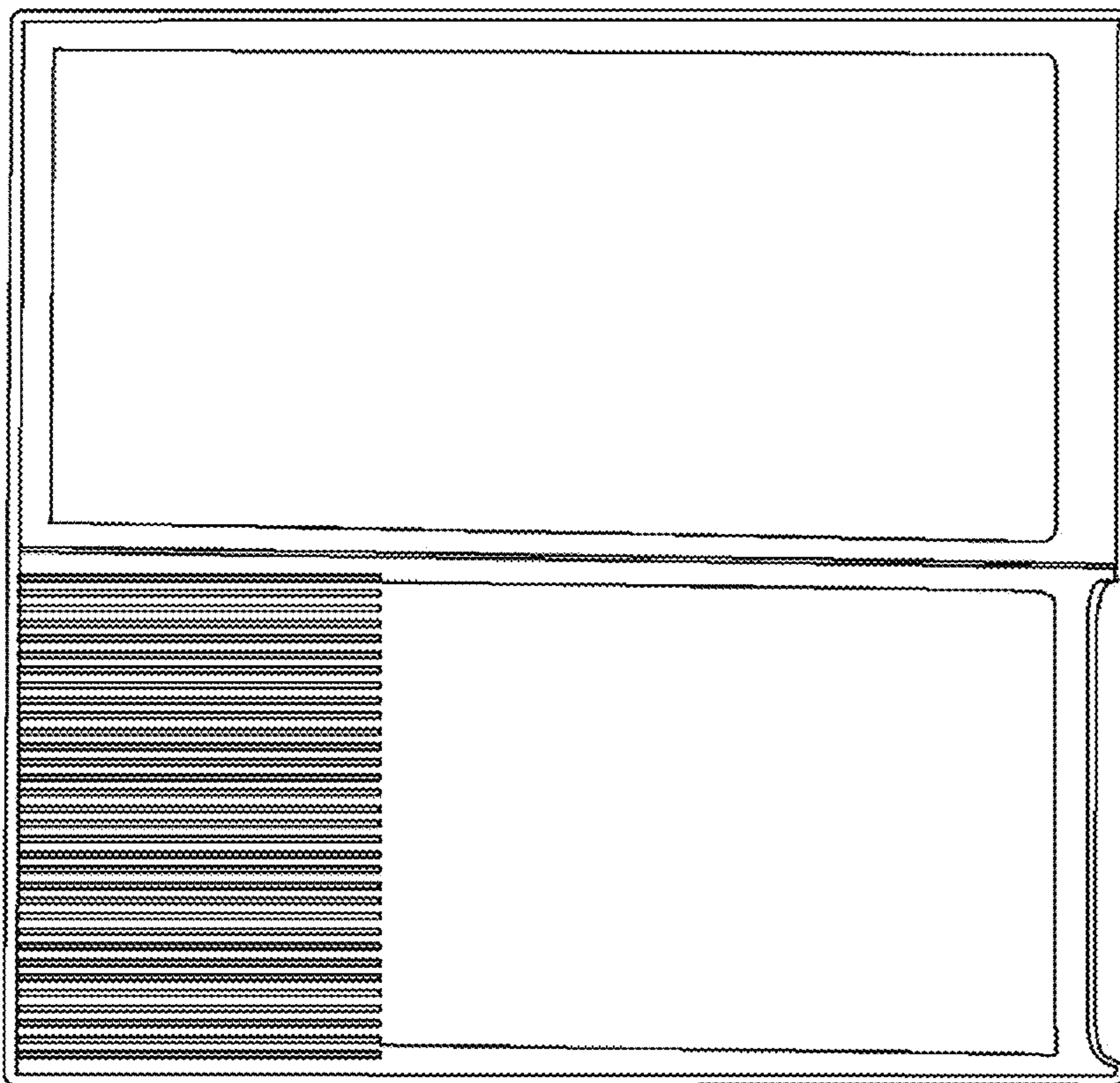


FIG. 7