



US00D708486S

(12) **United States Design Patent**
Terracciano

(10) **Patent No.:** **US D708,486 S**

(45) **Date of Patent:** **** Jul. 8, 2014**

(54) **FOOD CONTAINER**

(71) Applicant: **Ater Srl**, Lainate (IT)

(72) Inventor: **Simone Terracciano**, Buccinasco (IT)

(73) Assignee: **Ater Srl**, Lainate (MI) (IT)

(**) Term: **14 Years**

(21) Appl. No.: **29/441,998**

(22) Filed: **Jan. 11, 2013**

(51) **LOC (10) Cl.** **07-07**

(52) **U.S. Cl.**
USPC **D7/629**

(58) **Field of Classification Search**
USPC D7/629, 630, 612-615, 602, 538-542,
D7/391-392, 584, 586, 587; 220/780-802,
220/669-673, 675, 573.1, 574-575, 260,
220/326, 660; D9/424-432; D3/273, 274
See application file for complete search history.

(56) **References Cited**

U.S. PATENT DOCUMENTS

| | | | | | |
|-----------|------|---------|---------------|-------|---------|
| 4,412,630 | A * | 11/1983 | Daenen | | 220/792 |
| 5,671,846 | A * | 9/1997 | Frank | | 206/541 |
| 6,793,096 | B1 * | 9/2004 | Seok | | 220/788 |
| D505,839 | S * | 6/2005 | Stanos et al. | | D7/629 |
| D521,812 | S * | 5/2006 | Kim | | D7/629 |
| D583,200 | S * | 12/2008 | Moran | | D7/709 |

| | | | | | |
|--------------|------|---------|----------------|-------|---------|
| D603,226 | S * | 11/2009 | Hood et al. | | D7/665 |
| D623,472 | S * | 9/2010 | Bodum | | D7/502 |
| D630,905 | S * | 1/2011 | Cornu et al. | | D7/629 |
| D651,477 | S * | 1/2012 | Nie | | D7/629 |
| D652,686 | S * | 1/2012 | Lindsay et al. | | D7/629 |
| D660,092 | S * | 5/2012 | Kyung | | D7/629 |
| D660,094 | S * | 5/2012 | Kyung | | D7/629 |
| D660,657 | S * | 5/2012 | Picozza et al. | | D7/629 |
| D660,659 | S * | 5/2012 | Cohen | | D7/629 |
| D669,742 | S * | 10/2012 | Cohen | | D7/629 |
| D682,052 | S * | 5/2013 | Thomas | | D7/709 |
| 2004/0084464 | A1 * | 5/2004 | Koo | | 220/784 |

* cited by examiner

Primary Examiner — Terry Wallace

(74) *Attorney, Agent, or Firm* — Nixon & Vanderhye, P.C.

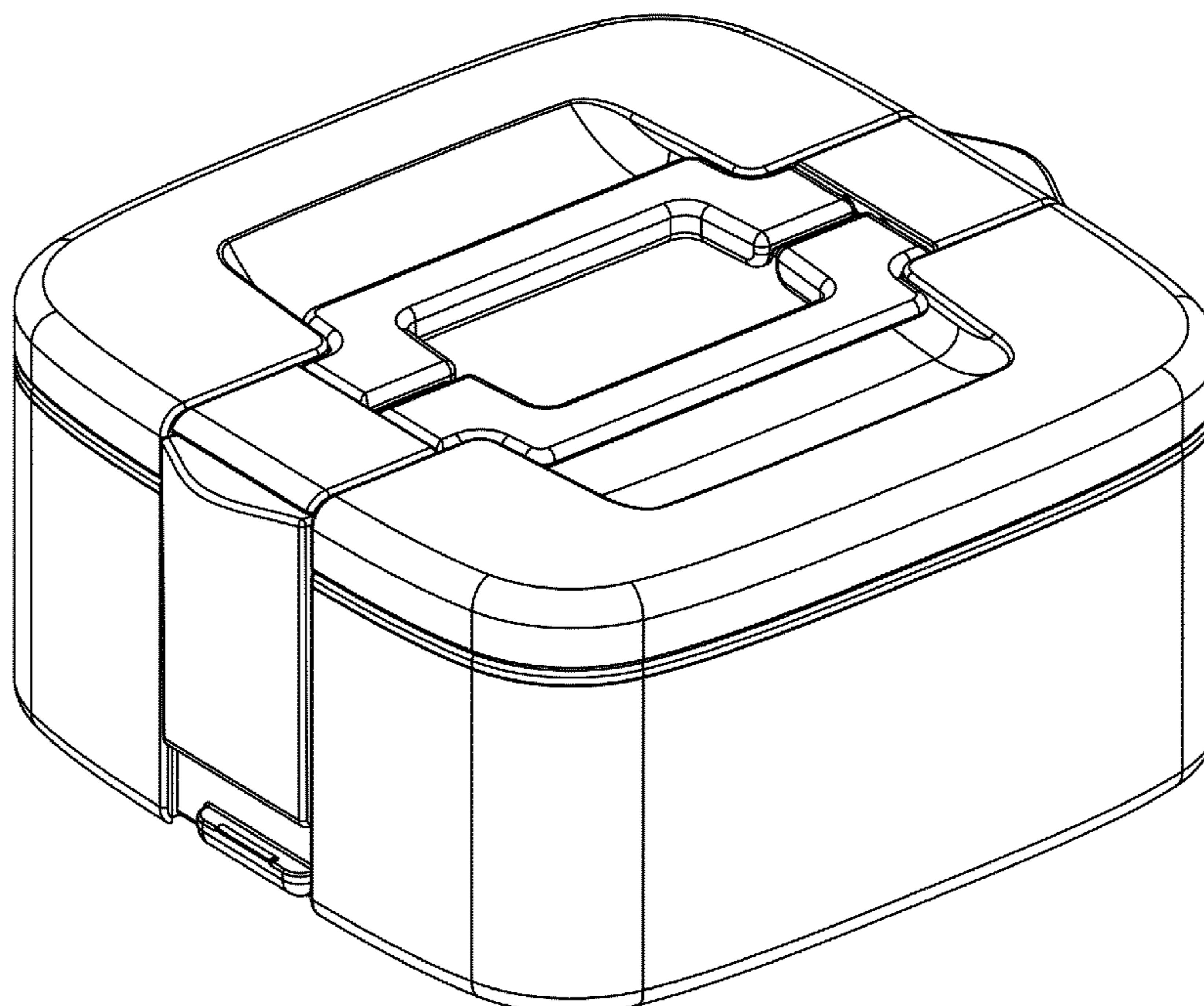
(57) **CLAIM**

The ornamental design for a food container, as shown.

DESCRIPTION

FIG. 1 is a perspective view of a food container showing my new ornamental design;
FIG. 2 is a left side view thereof;
FIG. 3 is a right side view thereof;
FIG. 4 is a front view thereof;
FIG. 5 is a rear view thereof;
FIG. 6 is a top view thereof; and,
FIG. 7 is a bottom view thereof.

1 Claim, 5 Drawing Sheets



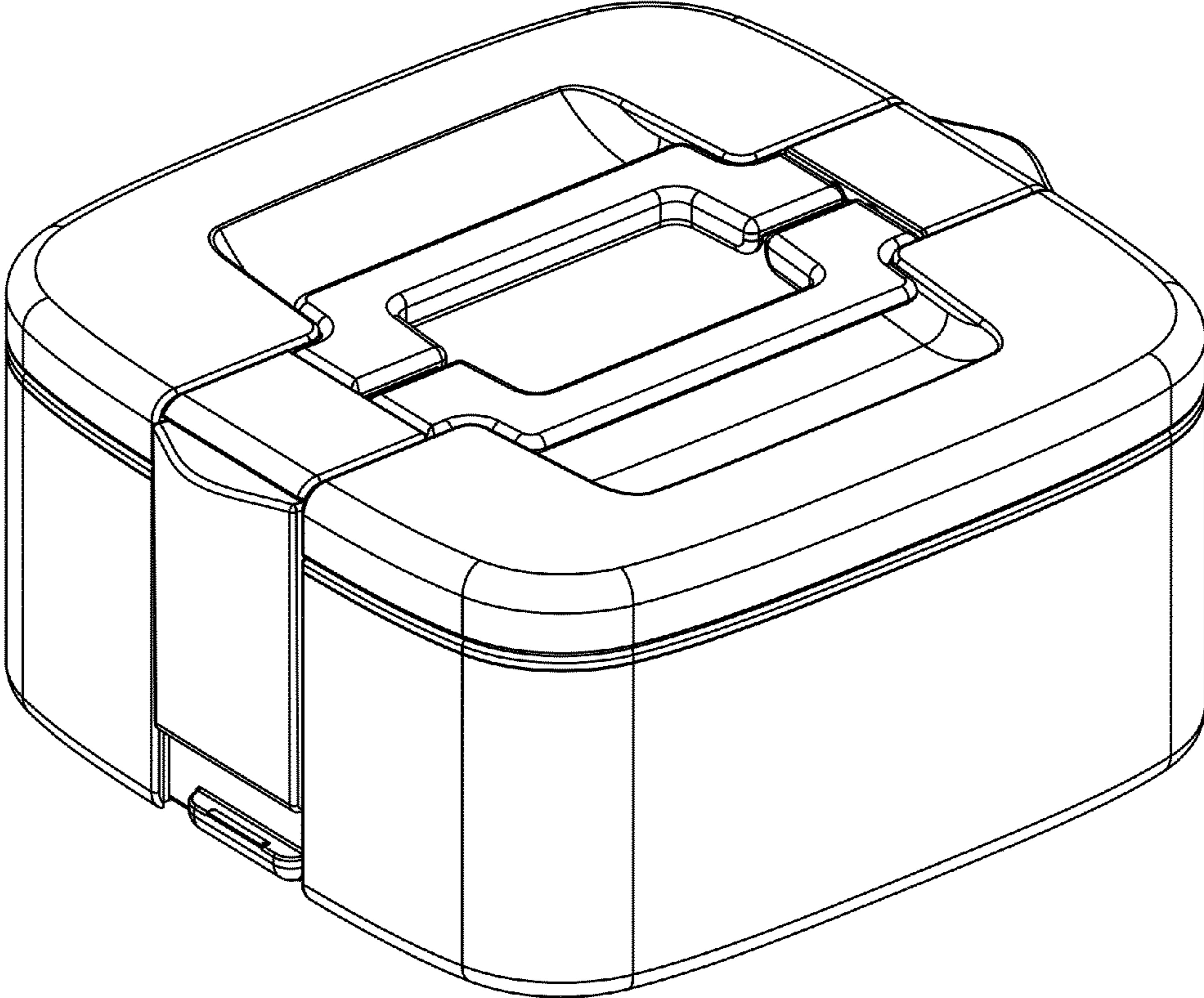


FIG. 1

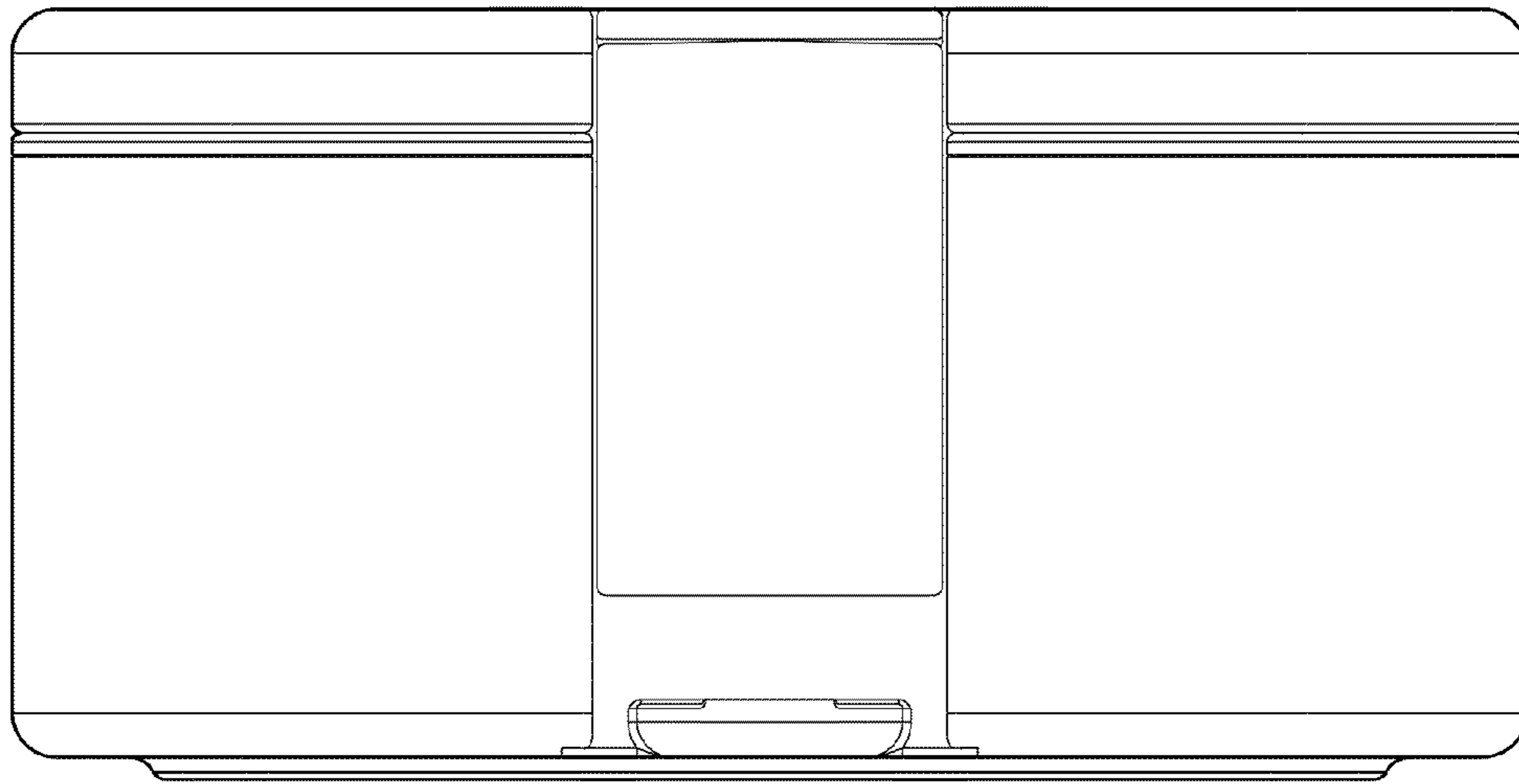


FIG. 2

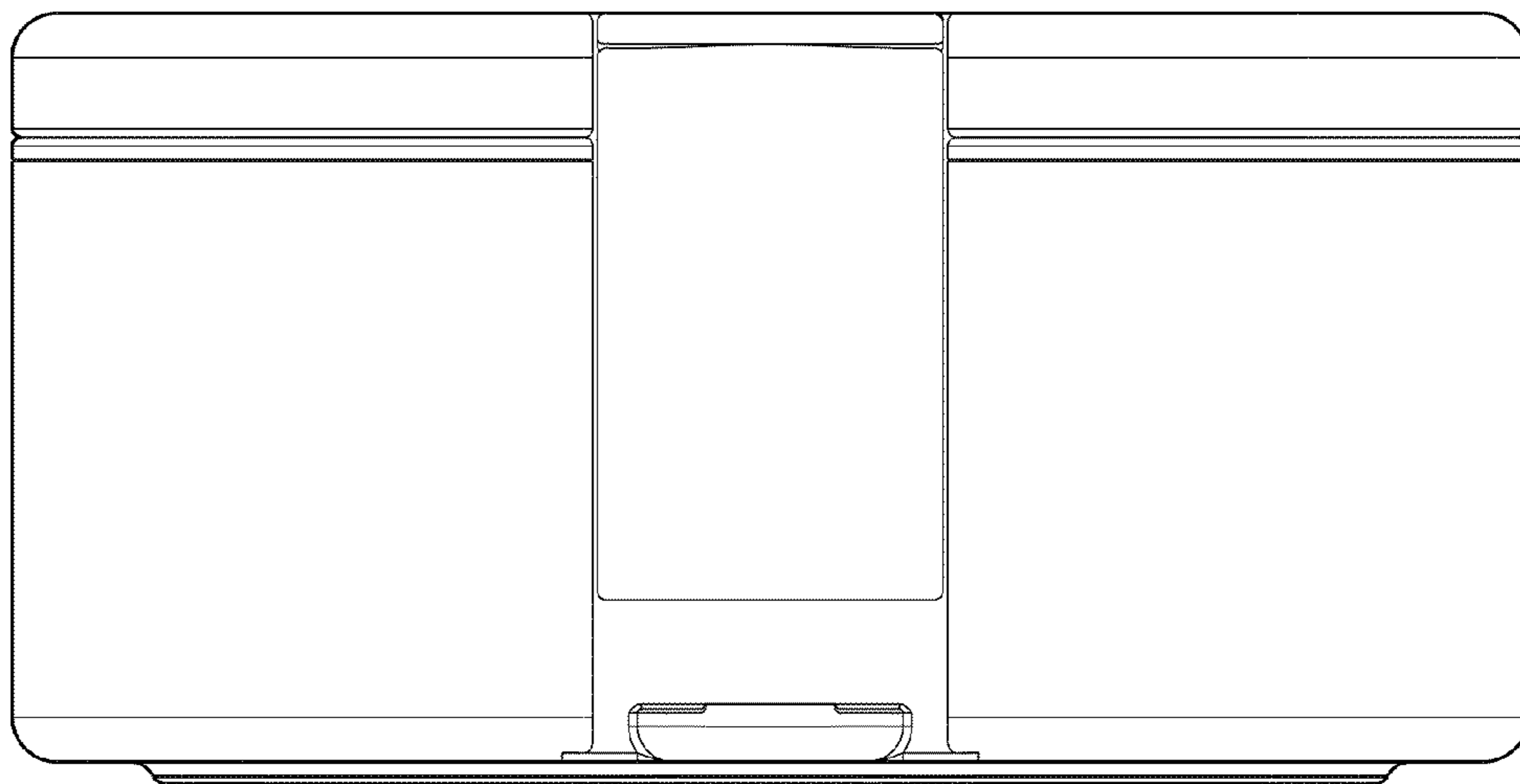


FIG. 3

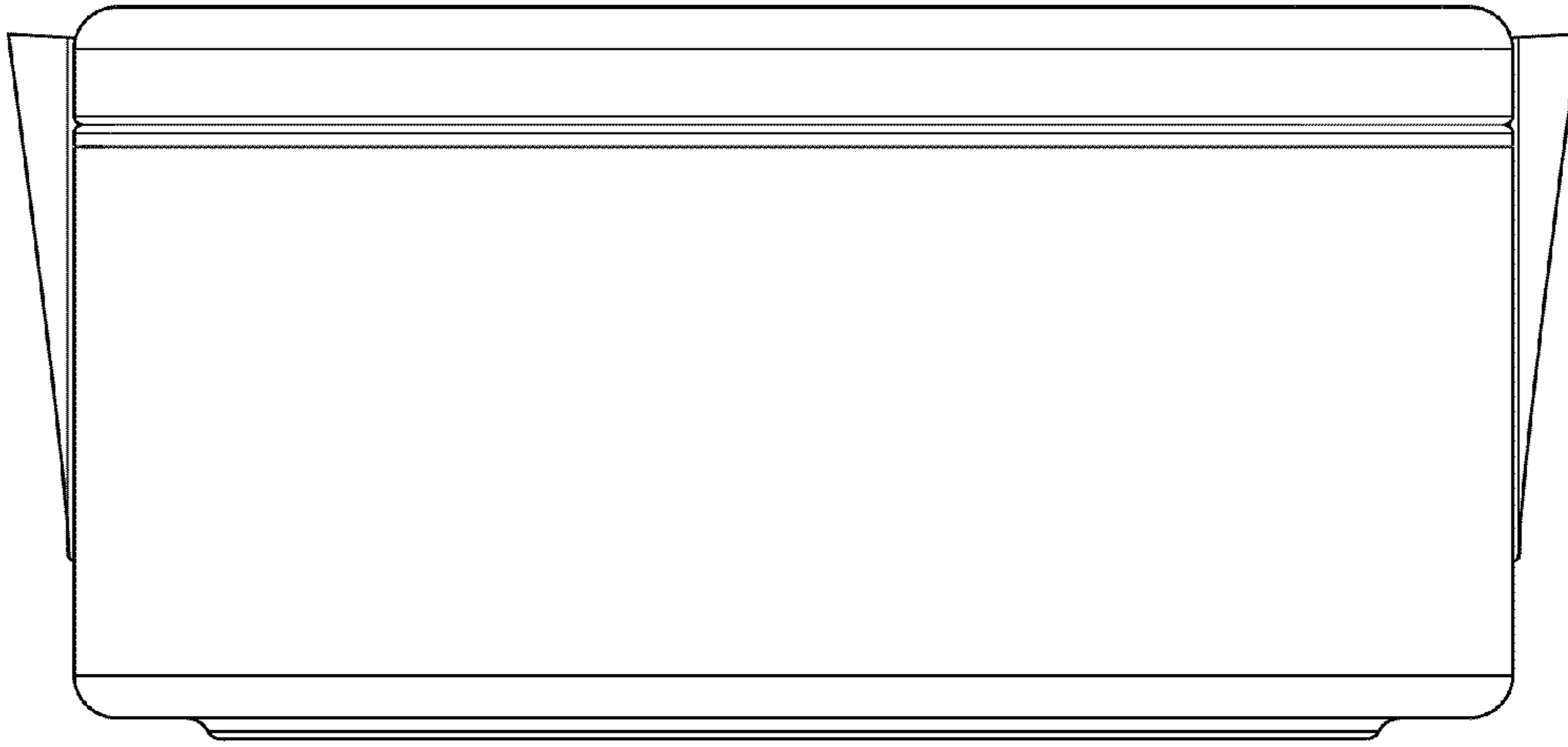


FIG. 4

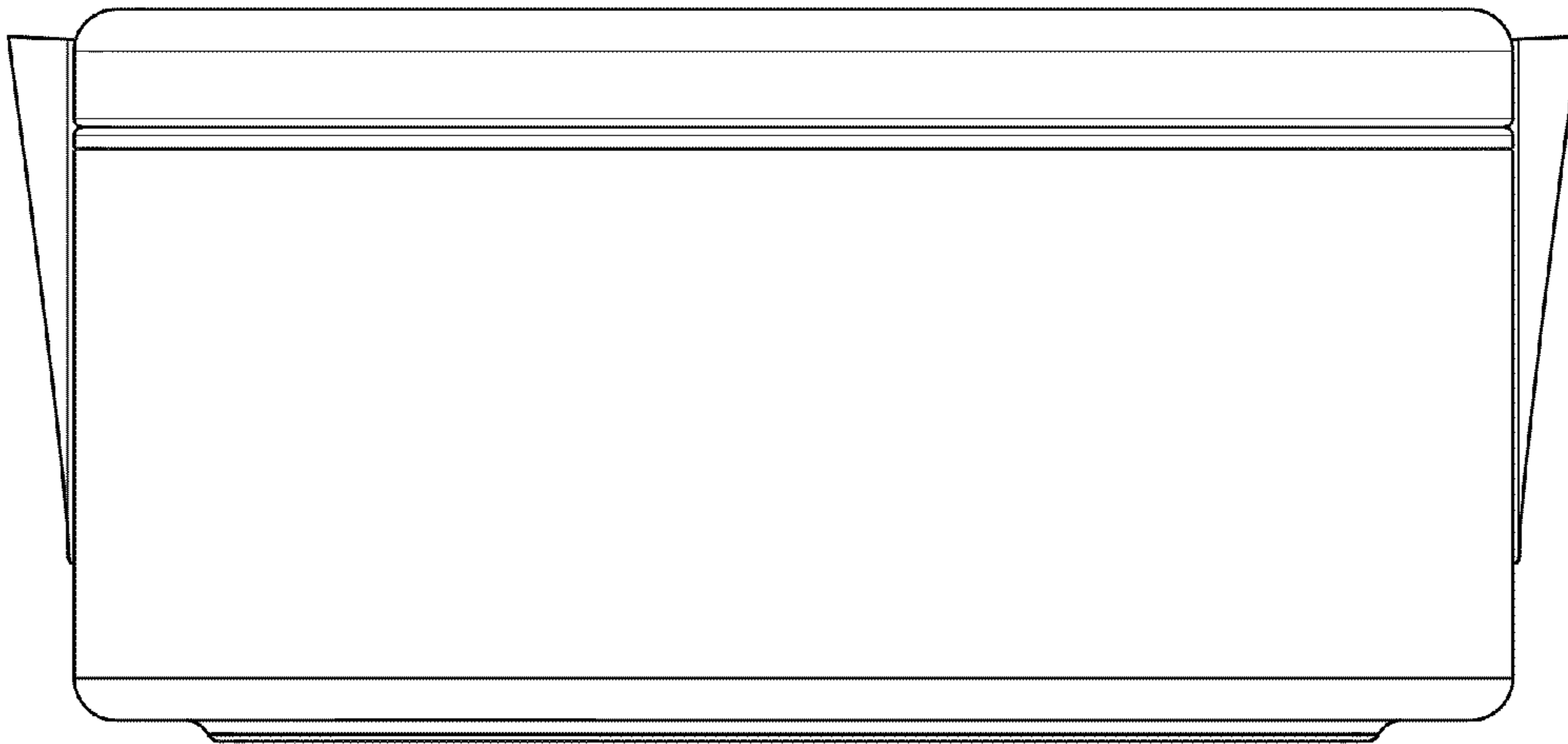


FIG. 5

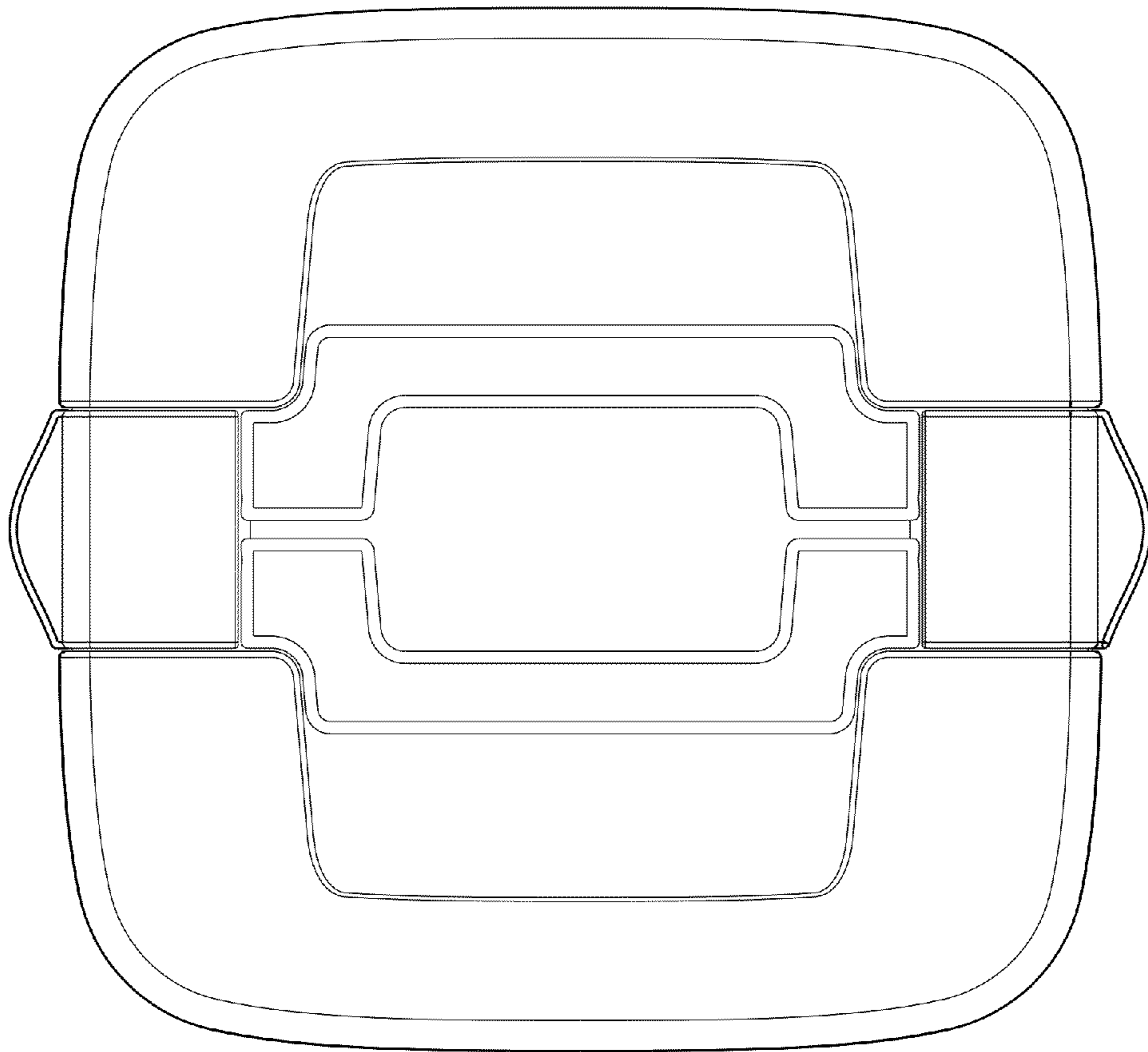


FIG. 6

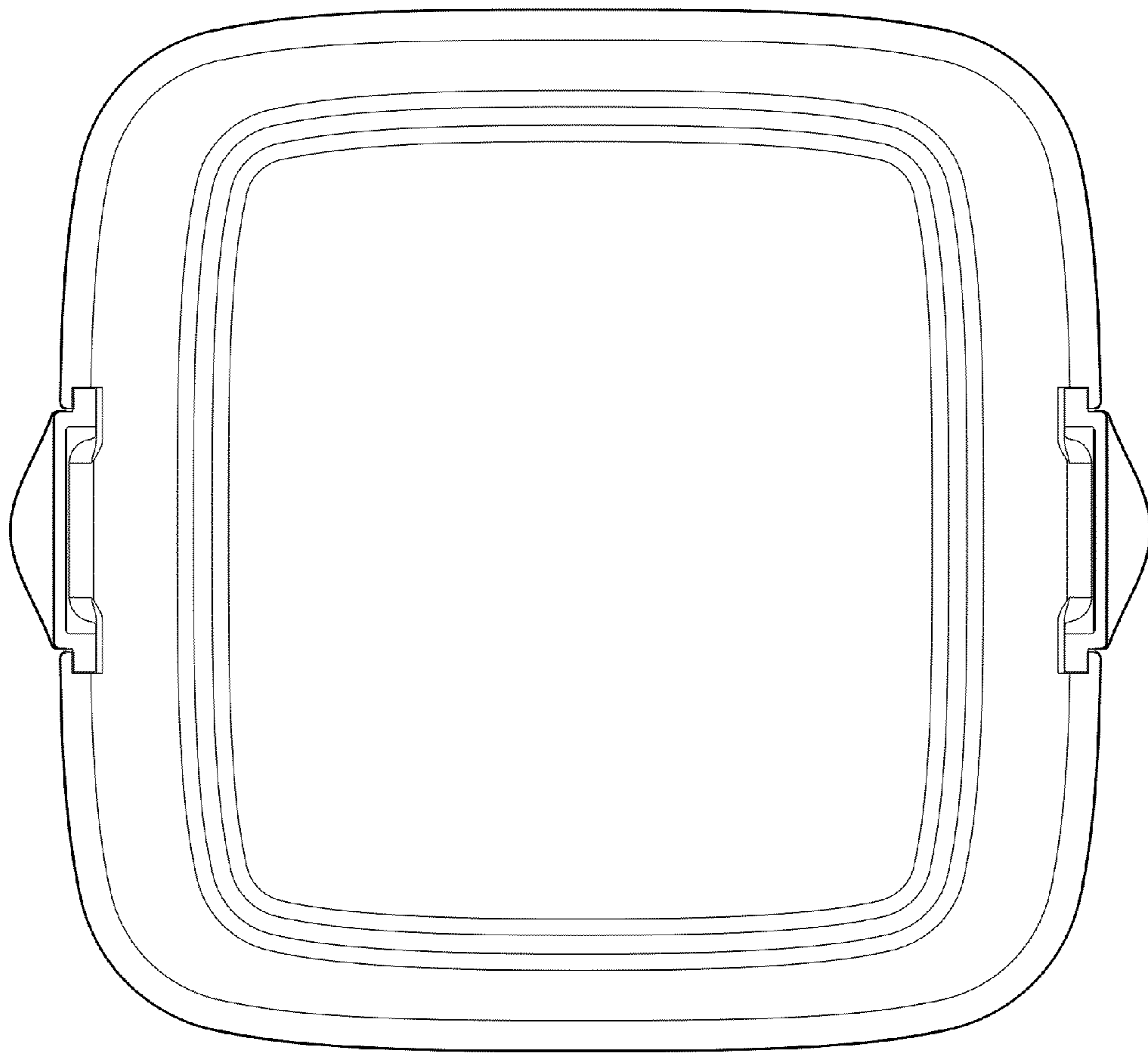


FIG. 7