



US00D708485S

(12) **United States Design Patent**  
**VanDyke**

(10) **Patent No.:** **US D708,485 S**  
(45) **Date of Patent:** **\*\* Jul. 8, 2014**

(54) **BEVERAGE HOLDER**

(71) Applicant: **Scott VanDyke**, Manhattan, MT (US)

(72) Inventor: **Scott VanDyke**, Manhattan, MT (US)

(\*\*) Term: **14 Years**

(21) Appl. No.: **29/444,900**

(22) Filed: **Feb. 5, 2013**

(51) **LOC (10) Cl.** ..... **07-06**

(52) **U.S. Cl.**  
USPC ..... **D7/625**

(58) **Field of Classification Search**

CPC ..... A47G 23/02; A47G 23/0208; A47G 23/0241; A47G 23/0266; A47G 19/2272; A63B 2225/682; A63B 21/0726; A62B 2202/023; A61J 9/08; A61J 9/06; A61J 1/16; A45C 13/02; A45C 2200/20; B65D 81/38; B65D 23/08; B65D 23/0842; B65D 23/0885; A47J 36/06  
USPC ..... D7/619.1-625, 605-608, 529, 511, D7/514-517; D9/444, 711, 702, 713, 452, D9/499, 455, 434, 688, 538, 600; 215/11.6, 392-396, 12.1, 12.2, 13.1; 206/459.5; 220/737-739, 903, 904, 220/758-759, 673, 592.17; 229/403, 87.01, 229/400, 405; D21/662, 681, 682, 680, D21/684; 482/105, 106, 107, 108; 211/74; 248/311.2, 309.1; 62/457.1-457.7  
See application file for complete search history.

(56) **References Cited**

**U.S. PATENT DOCUMENTS**

D279,495 S \* 7/1985 Barbeau ..... D21/681  
5,421,797 A \* 6/1995 Fletcher ..... 482/106  
5,509,877 A \* 4/1996 Adams ..... 482/108  
5,620,112 A 4/1997 Brown

5,997,494 A \* 12/1999 Watkins et al. .... 602/36  
D456,705 S \* 5/2002 Vijn ..... D9/668  
D465,151 S 11/2002 Mixon  
D489,001 S 4/2004 Martin  
D490,653 S \* 6/2004 Kleckauskas et al. .... D7/510  
D513,688 S \* 1/2006 Moran ..... D7/605  
D522,814 S 6/2006 McMichael  
D575,107 S \* 8/2008 Martin ..... D7/515  
D584,161 S 1/2009 Barker

(Continued)

**OTHER PUBLICATIONS**

Fits 12oz cans & 16oz bottle (pinterest), [online], photo uploaded 25 weeks ago Oct. 21, 2013, retrieved on Apr. 14, 2014. Retrieved from, <URL: <https://www.pinterest.com/pin/91620173643082847/>>, 1 page.\*

(Continued)

*Primary Examiner* — Ian Simmons  
*Assistant Examiner* — Shannon Morgan  
(74) *Attorney, Agent, or Firm* — Antoinette M. Tease

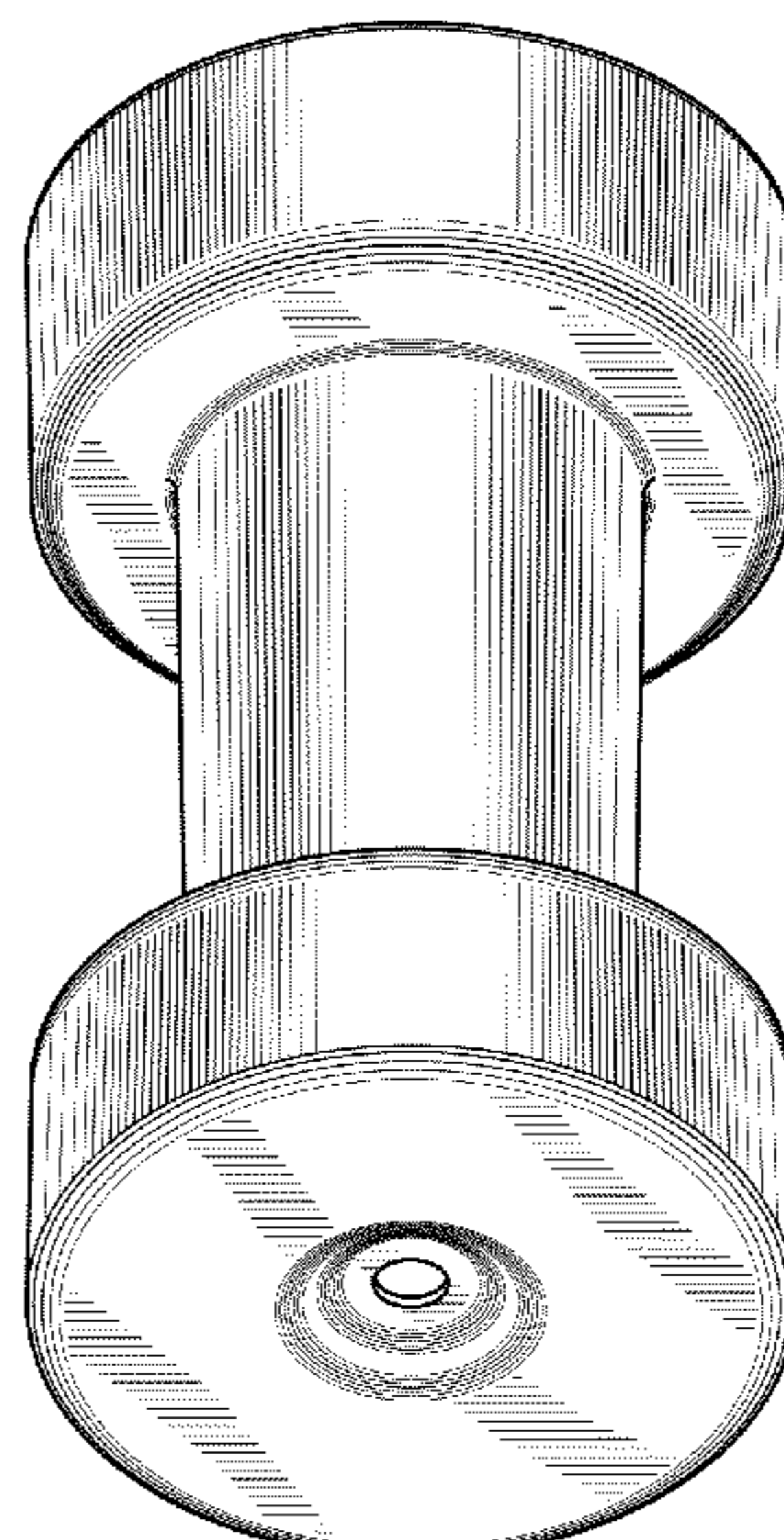
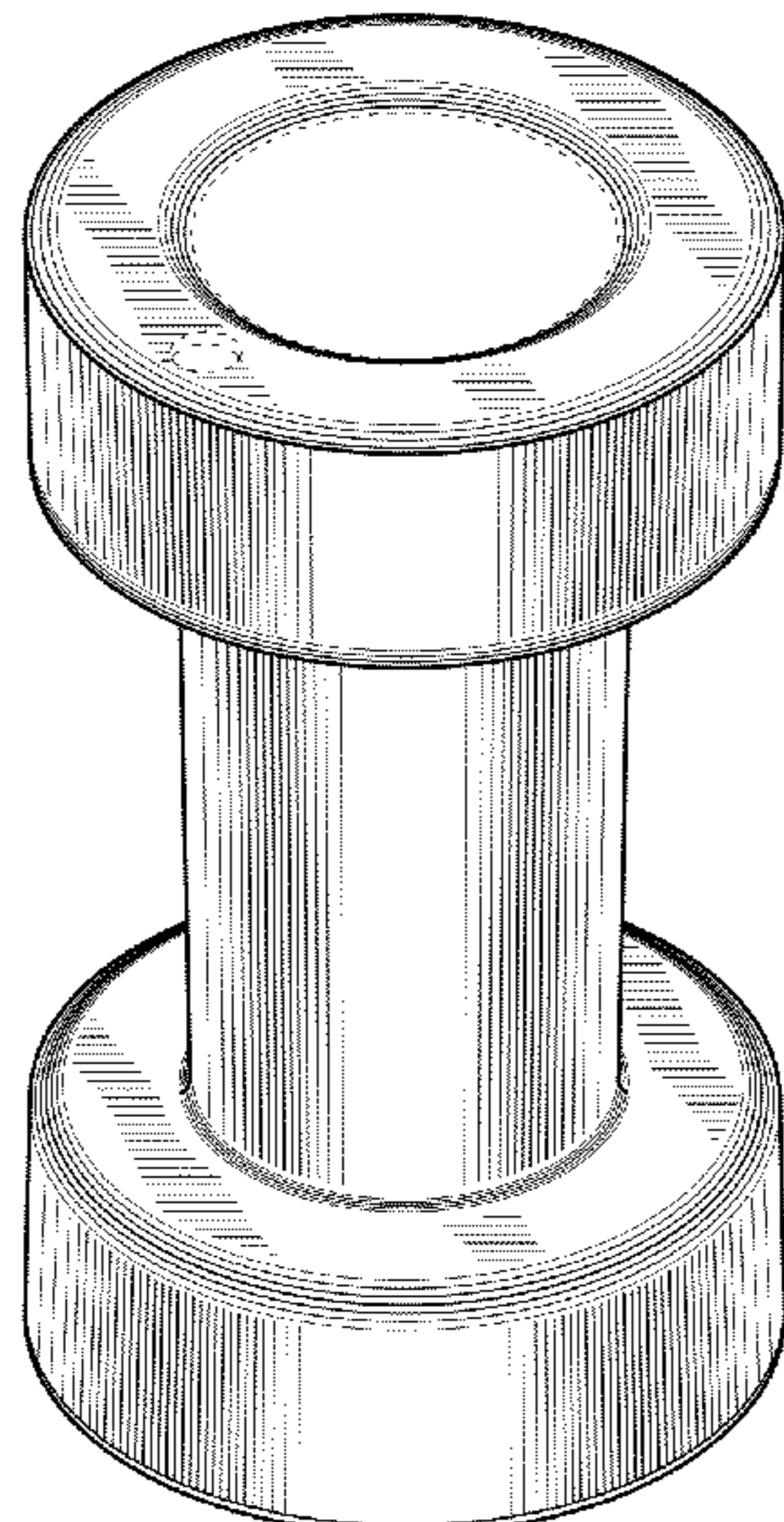
(57) **CLAIM**

The ornamental design for a beverage holder, as shown and described.

**DESCRIPTION**

FIG. 1 is a top perspective view showing my new design; FIG. 2 is a bottom perspective view thereof; FIG. 3 is a top plan view thereof; FIG. 4 is a bottom plan view thereof; FIG. 5 is a front elevational view thereof; FIG. 6 is a rear elevational view thereof; FIG. 7 is a right side elevational view thereof; and, FIG. 8 is a left side elevational view thereof. The broken lines in FIGS. 1 and 3 of the beverage holder are for the purpose of illustrating environment, and form no part of the claimed design.

**1 Claim, 2 Drawing Sheets**



(56)

**References Cited**

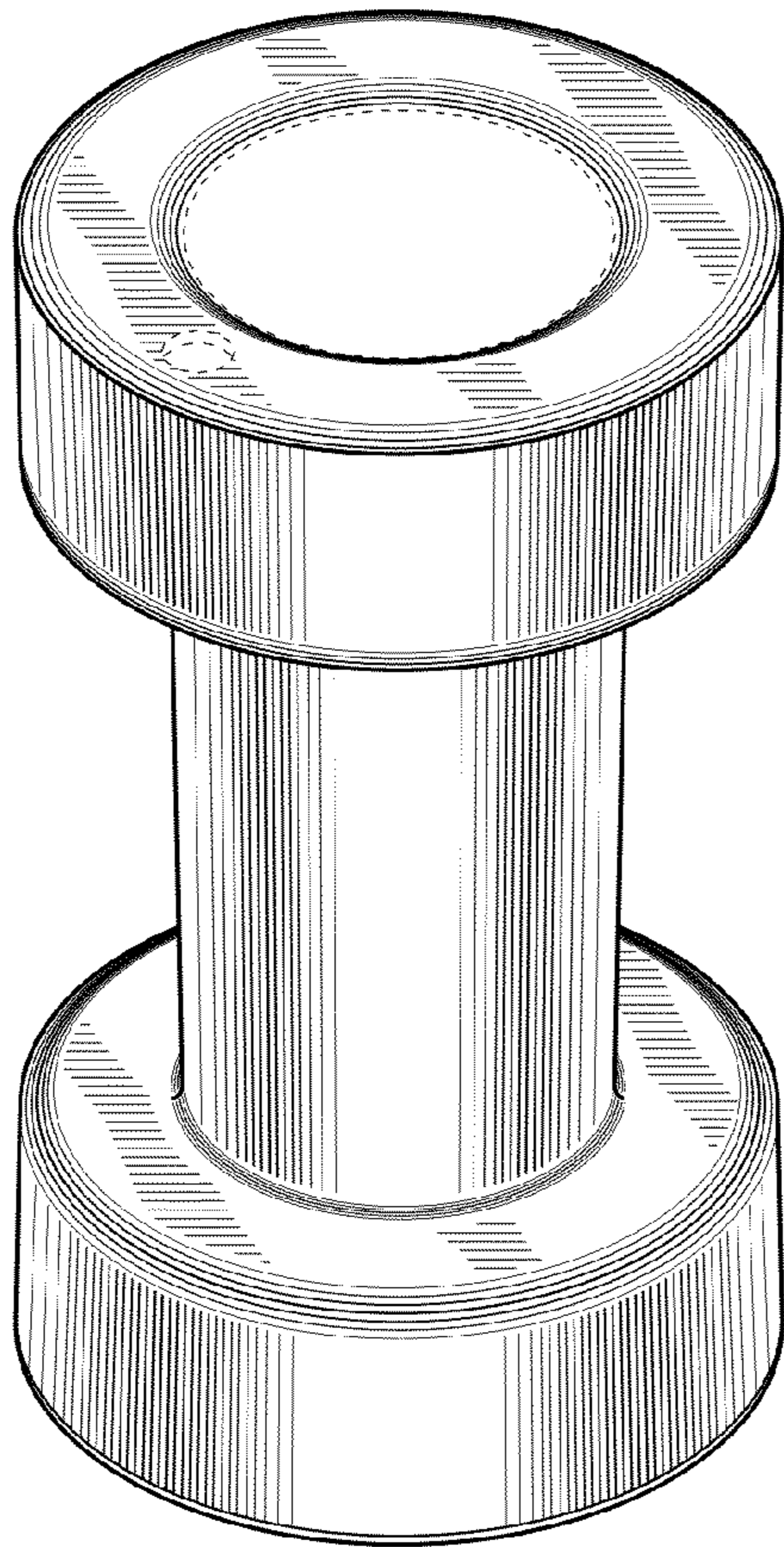
U.S. PATENT DOCUMENTS

D596,492 S	7/2009	Safdieh	
D597,613 S *	8/2009	Hillson .....	D21/681
D609,526 S	2/2010	Tuttle	
7,951,020 B2	5/2011	Castor et al.	
2007/0051735 A1	3/2007	Taylor et al.	
2010/0093470 A1	4/2010	Castor et al.	

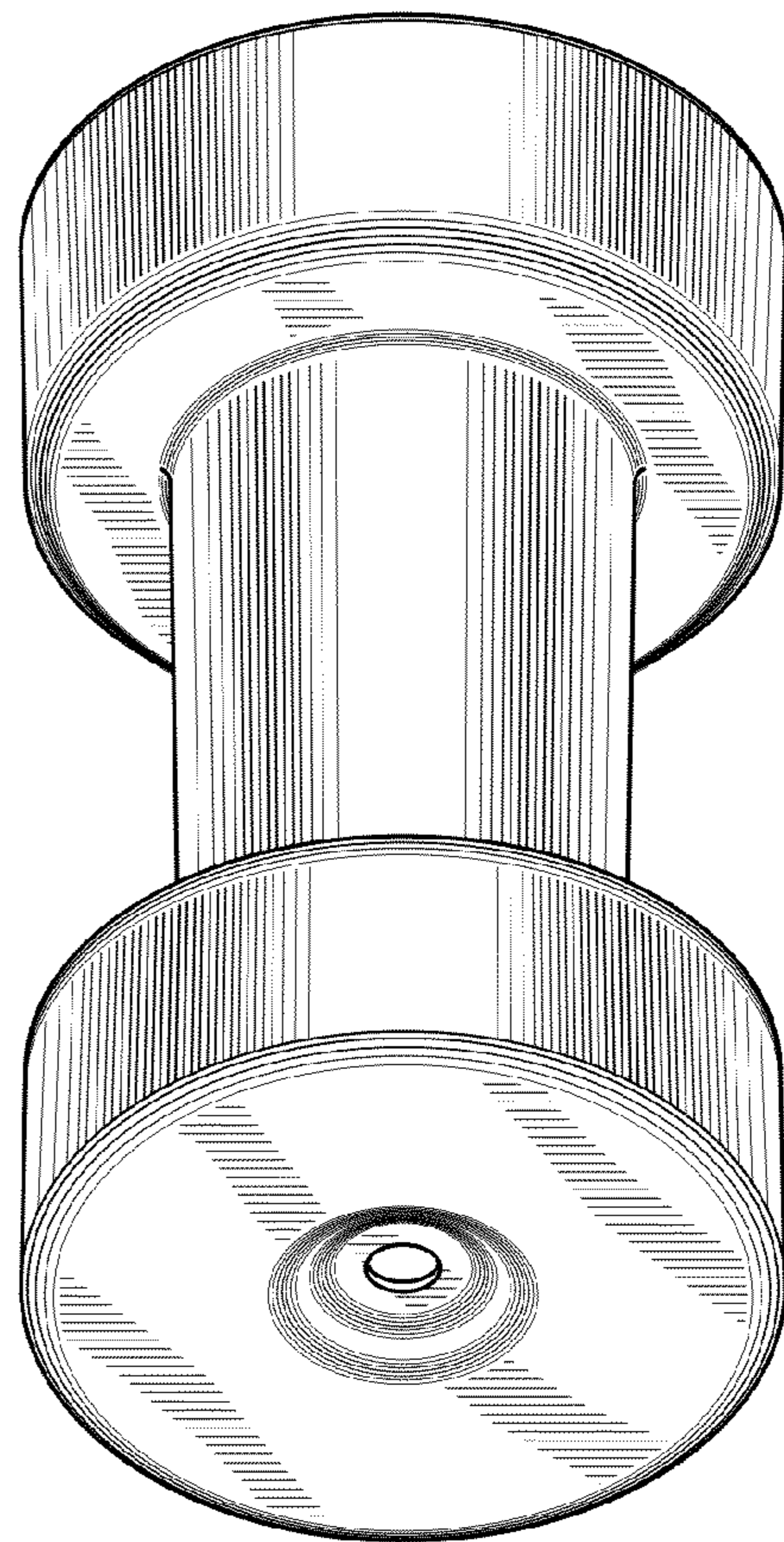
OTHER PUBLICATIONS

Beerbell—A personalized Koozie Drink Holder, [online], posted on Dec. 10, 2013, retrieved on Jan. 25, 2014. Retrieved from, <URL: <http://www.24freads.com/0/posts/11-Shopping/87-Flower-Gifts/105086-Beerbell-A-Personalized-Koozie-Drink-Holder.html>>, 1 page.\*

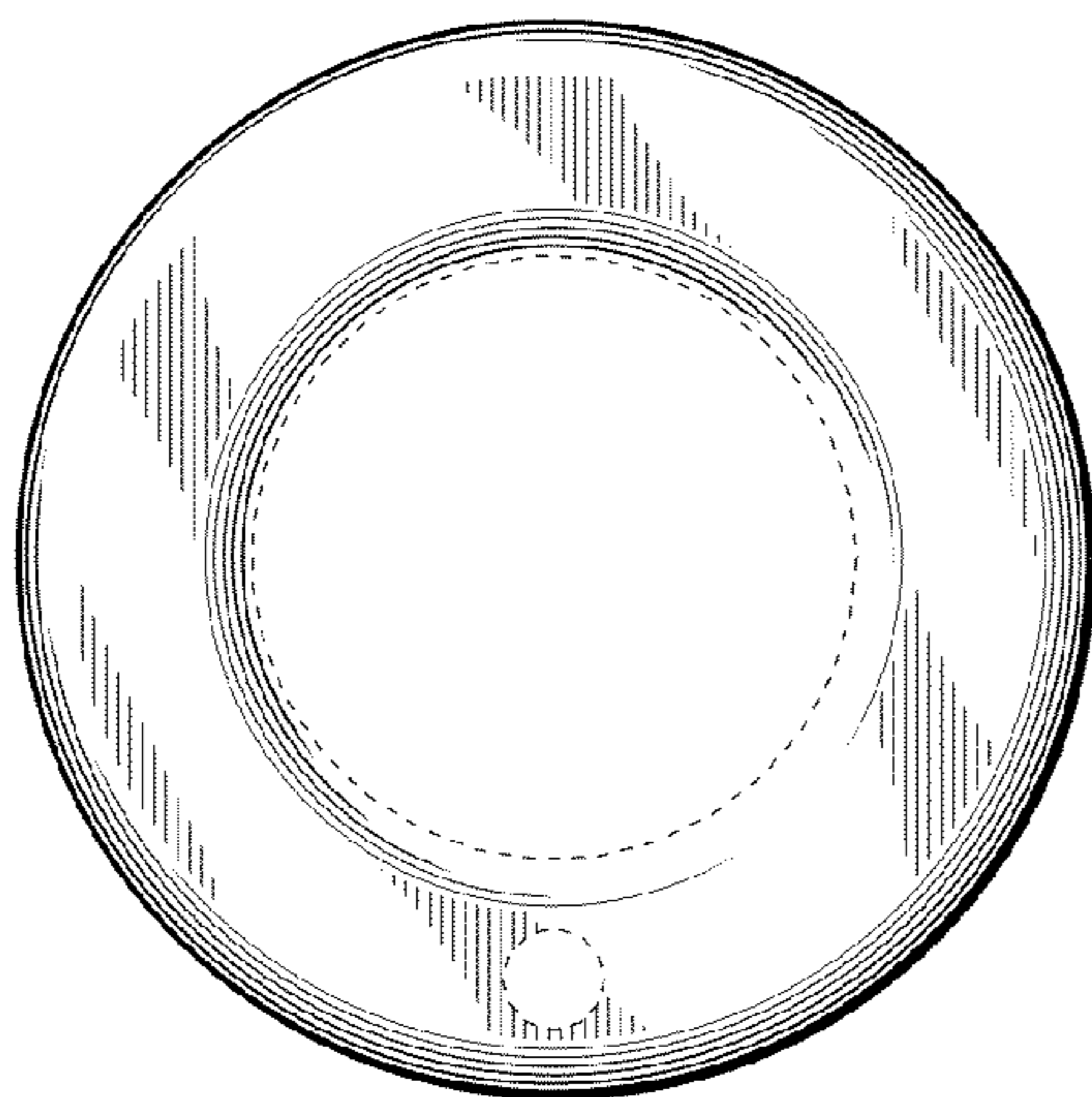
\* cited by examiner



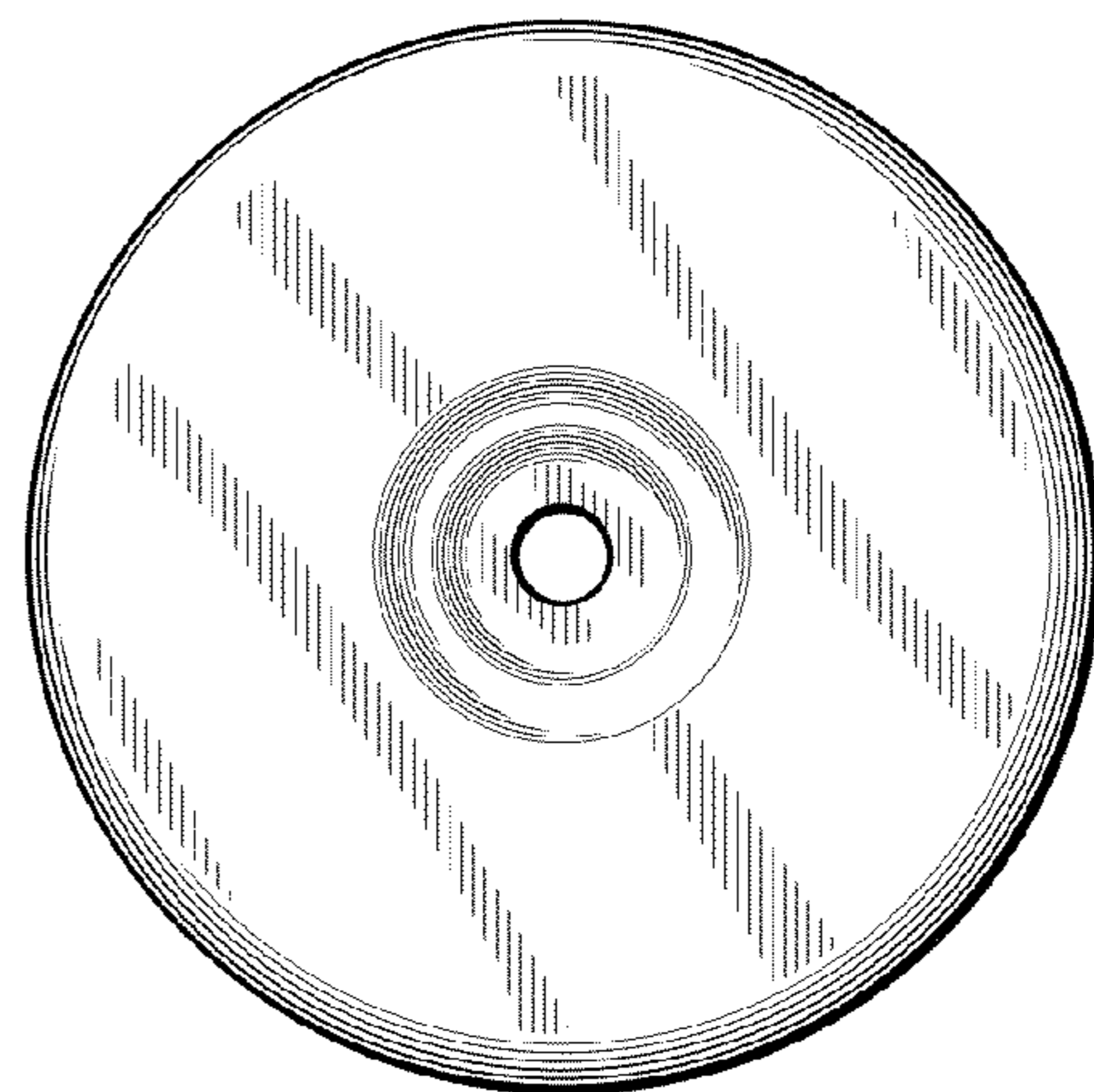
*Fig.1*



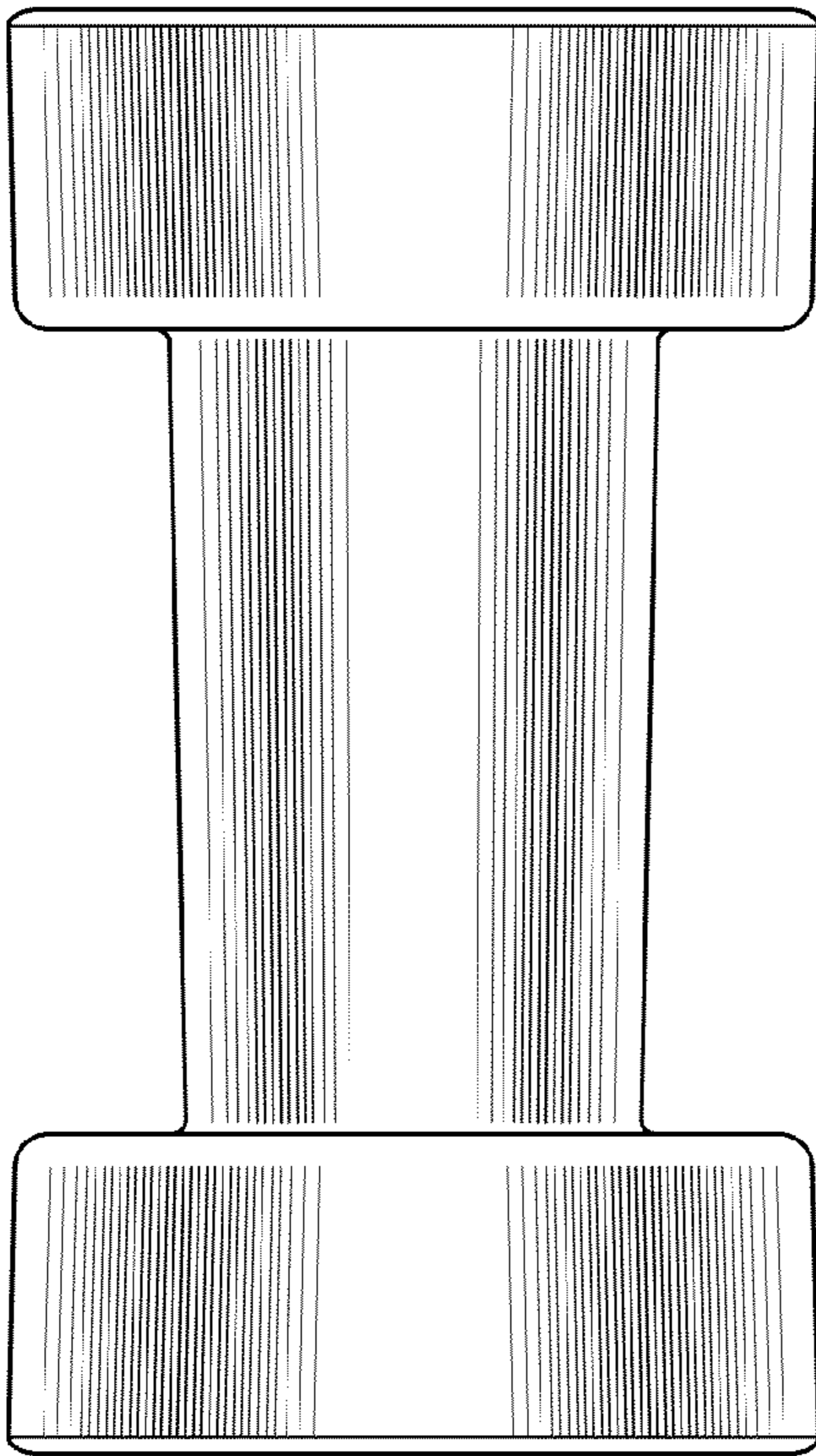
*Fig.2*



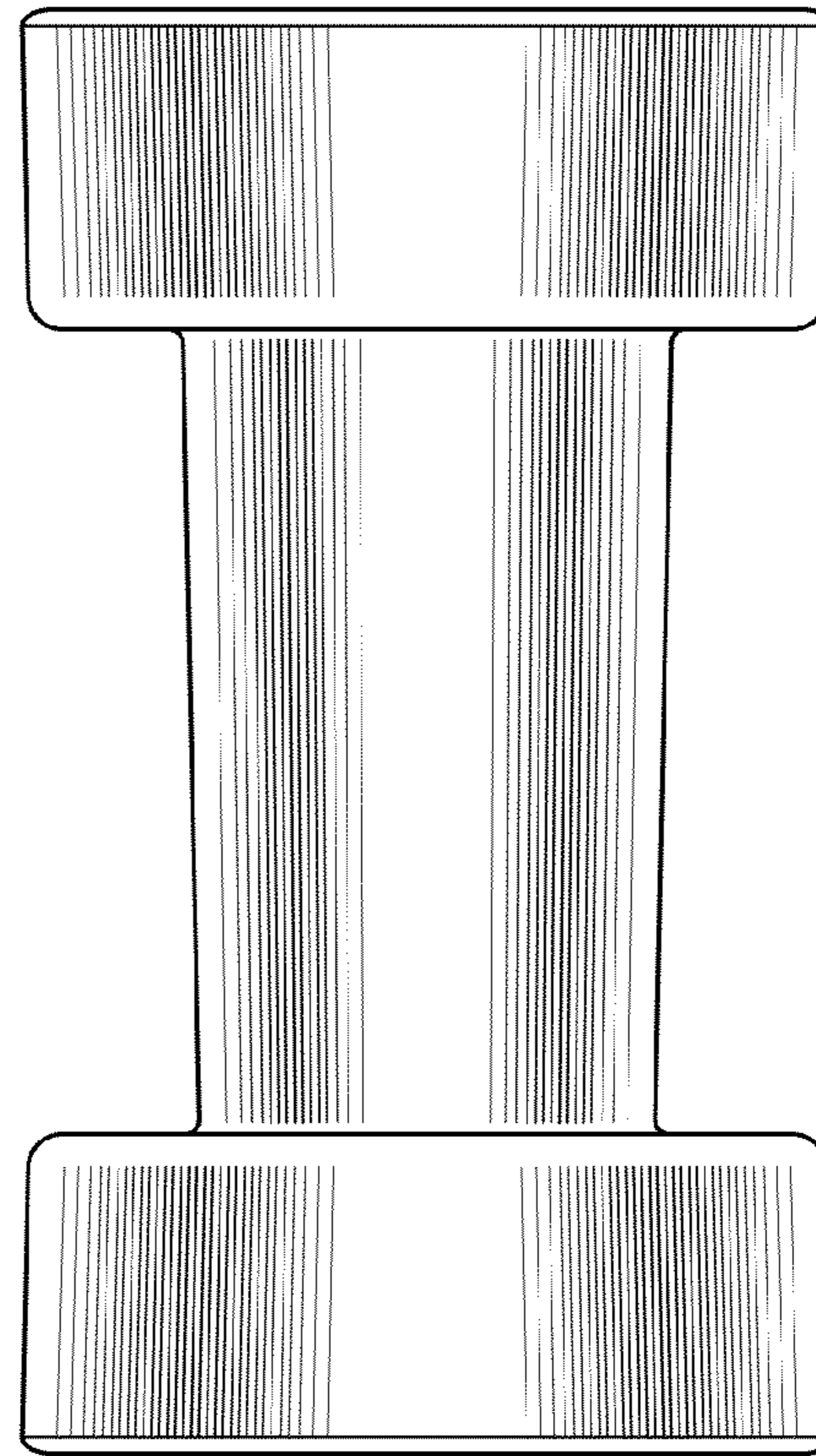
*Fig.3*



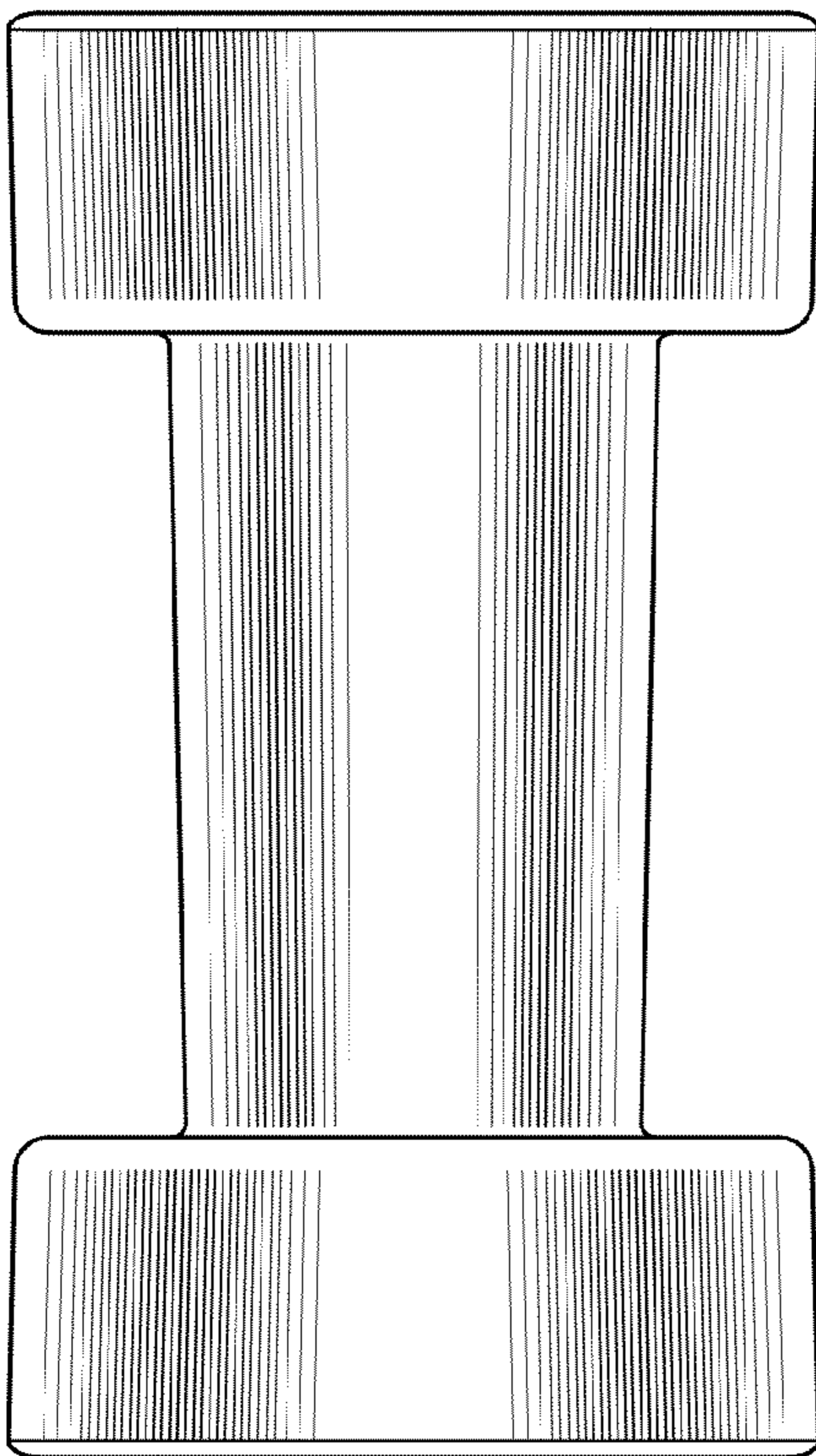
*Fig.4*



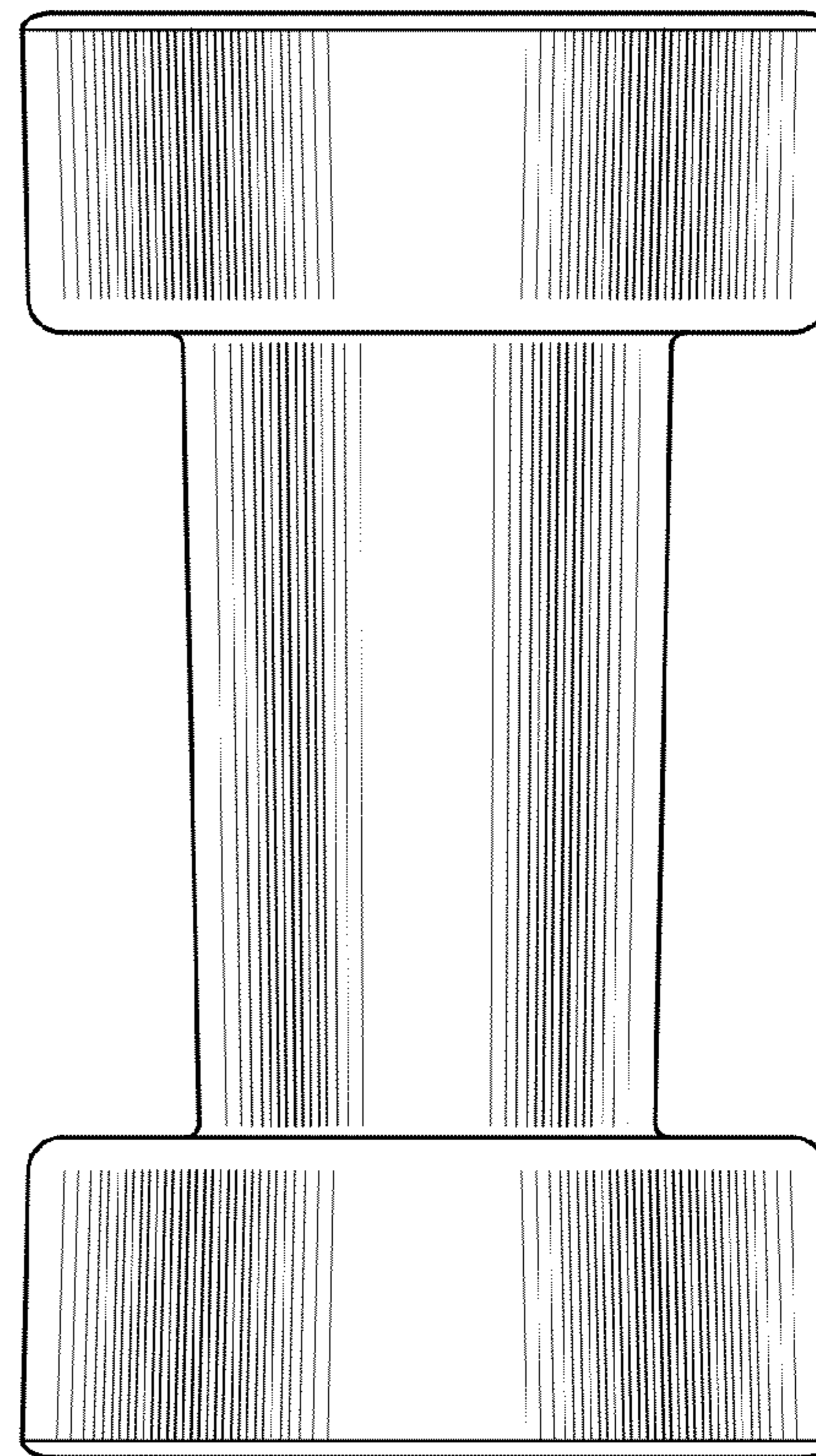
*Fig.5*



*Fig.6*



*Fig.7*



*Fig.8*