



US00D708484S

(12) **United States Design Patent**  
**Bishop**

(10) **Patent No.:** **US D708,484 S**

(45) **Date of Patent:** **\*\* Jul. 8, 2014**

(54) **DRINK HOLDER**

(76) Inventor: **Justin Bishop**, Gainesville, FL (US)

(\*\*) Term: **14 Years**

(21) Appl. No.: **29/426,800**

(22) Filed: **Jul. 11, 2012**

(51) **LOC (10) Cl.** ..... **09-02**

(52) **U.S. Cl.**  
USPC ..... **D7/624.2; D7/608**

(58) **Field of Classification Search**  
USPC ..... D7/607, 608, 621, 600.1; 206/457;  
220/737, 739; D9/455; 248/313, 311.2,  
248/200, 309.1, 311.3, 312.1, 146;  
294/166, 27.1; 215/395, 396; 211/74;  
141/106, 364, 369, 375; 62/457.4;  
D3/206

See application file for complete search history.

D441,614 S	5/2001	Carroll	
D457,786 S	5/2002	Wrob	
D513,939 S *	1/2006	Leonzo	D7/624.1
D519,326 S *	4/2006	Leonzo	D7/624.1
D577,550 S *	9/2008	Pertuit	D7/619.1
D621,226 S	8/2010	Trinkle et al.	
D632,138 S	2/2011	Carter	
D633,342 S	3/2011	Paslowski	
D635,408 S	4/2011	Carter	
D641,593 S	7/2011	Fiumani	
D643,669 S	8/2011	Burgess	
D654,010 S *	2/2012	Maks et al.	D12/419
D658,013 S	4/2012	Beisel	

\* cited by examiner

*Primary Examiner* — Ian Simmons  
*Assistant Examiner* — Eleni Aldridge  
(74) *Attorney, Agent, or Firm* — QuickPatents; Kevin Prince

(57) **CLAIM**

I claim the ornamental design for a drink holder, as shown and described.

(56) **References Cited**

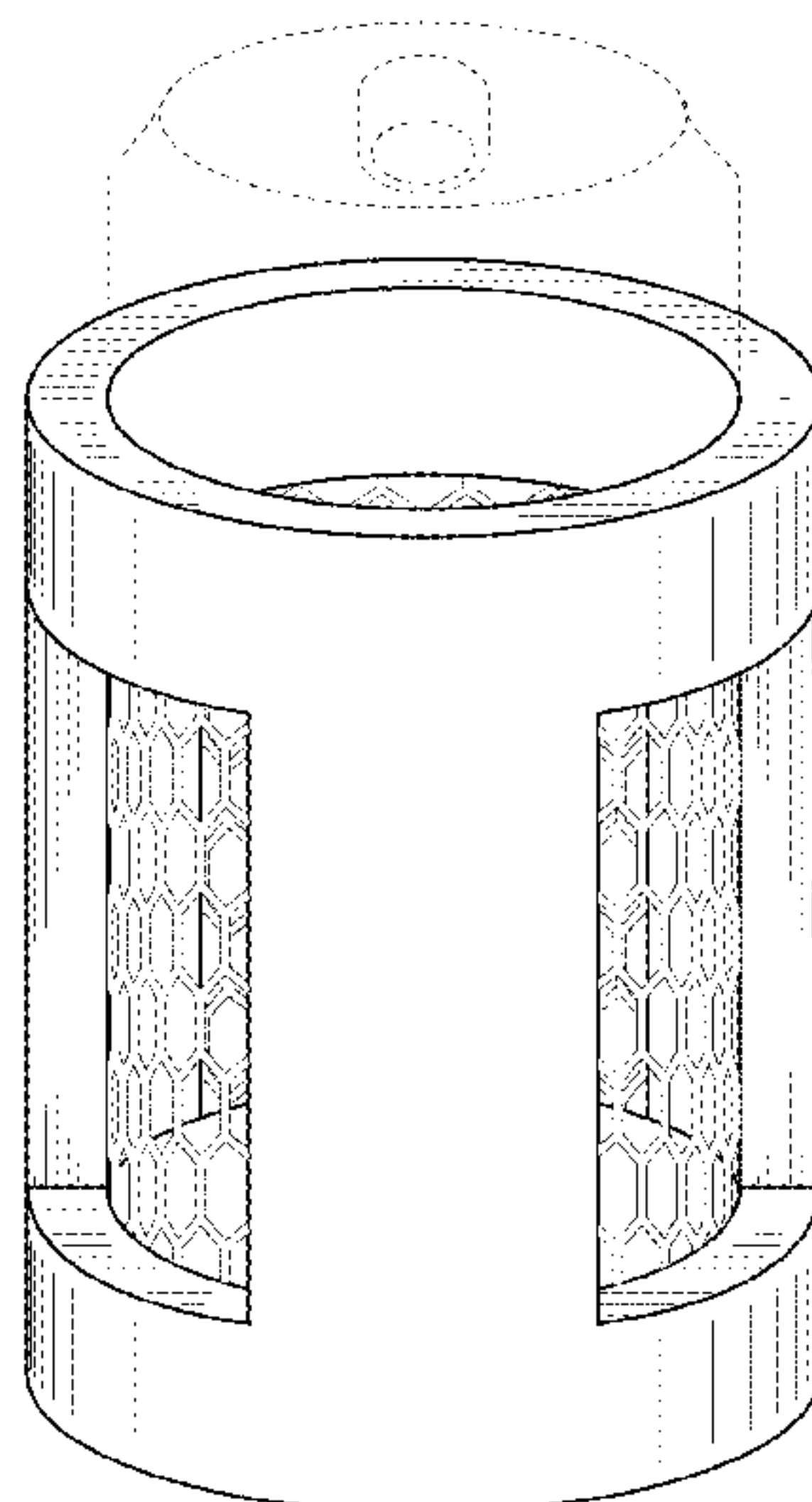
U.S. PATENT DOCUMENTS

4,163,374 A *	8/1979	Moore et al.	62/457.4
D302,509 S	8/1989	Byrns	
D304,538 S	11/1989	Byrns	
D306,246 S	2/1990	Rauch	
D324,975 S	3/1992	Miller	
D335,613 S *	5/1993	Bingham	D7/619.1
D346,094 S	4/1994	Patterson	
D347,361 S	5/1994	Herrera	
D347,974 S	6/1994	McBride	
D360,806 S *	8/1995	Morris et al.	D7/608
D367,210 S *	2/1996	McKenny	D7/620
D368,410 S *	4/1996	Shiner	D7/608
D376,959 S *	12/1996	Norris	D7/619.1
D377,740 S *	2/1997	Swanson	D7/619.1
5,709,105 A *	1/1998	Palermo	62/457.4
5,755,418 A *	5/1998	Kracke et al.	248/311.3
D407,211 S *	3/1999	Diviak, Sr.	D3/206

**DESCRIPTION**

FIG. 1 is a perspective view of a drink holder, showing my new design;  
FIG. 2 is a rear elevational view thereof;  
FIG. 3 is a front elevational view thereof;  
FIG. 4 is a right-side elevational view thereof, the left-side elevational view being a mirror image thereof;  
FIG. 5 is a top plan view thereof; and,  
FIG. 6 is a bottom plan view thereof.  
The broken lines showing a beverage can in FIG. 1 depict environmental matter and form no part of the claimed design. The broken line in FIG. 6 is included for the purpose of illustrating a portion of the article that forms no part of the claimed design.

**1 Claim, 2 Drawing Sheets**



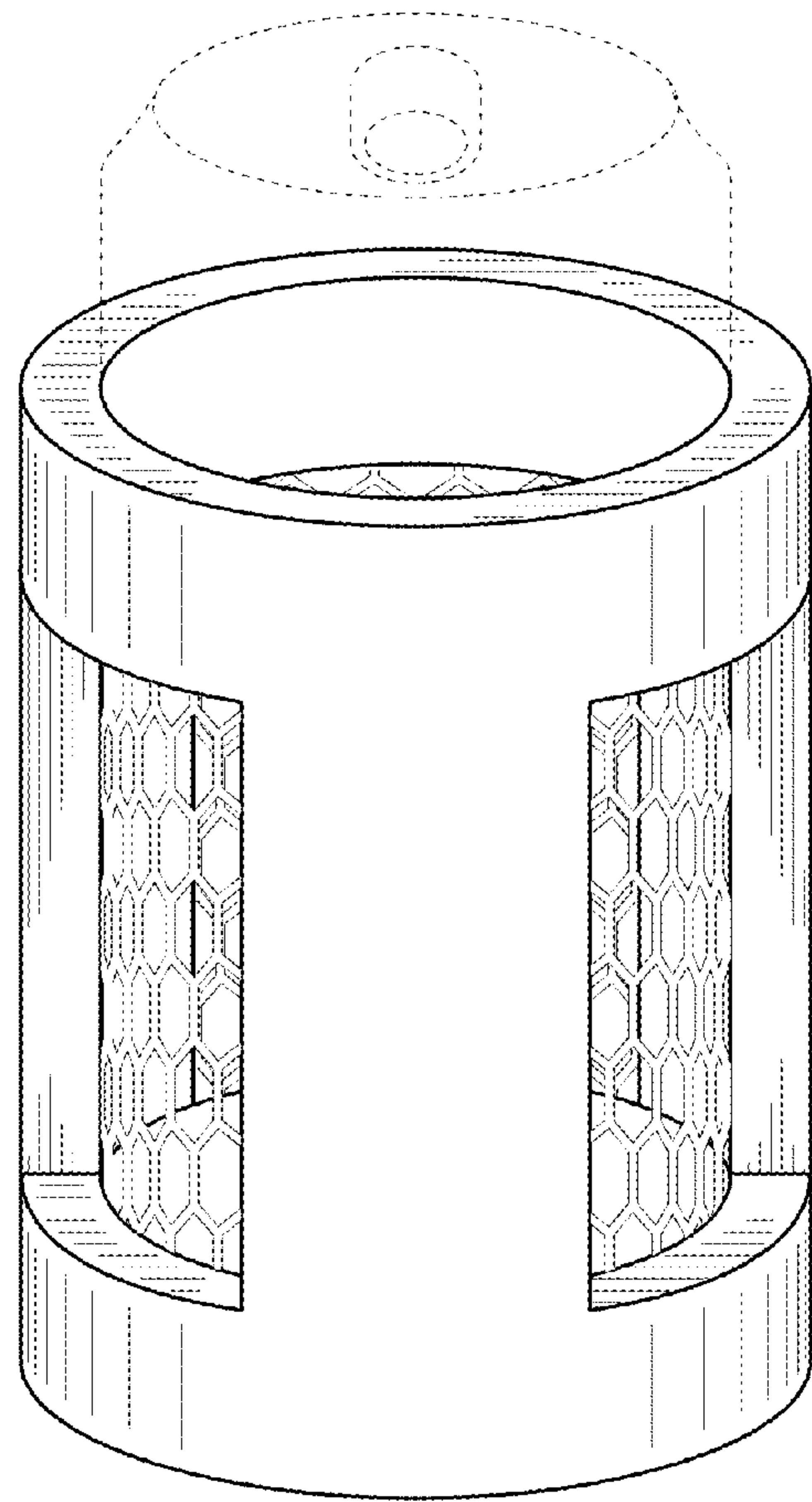


FIG. 1

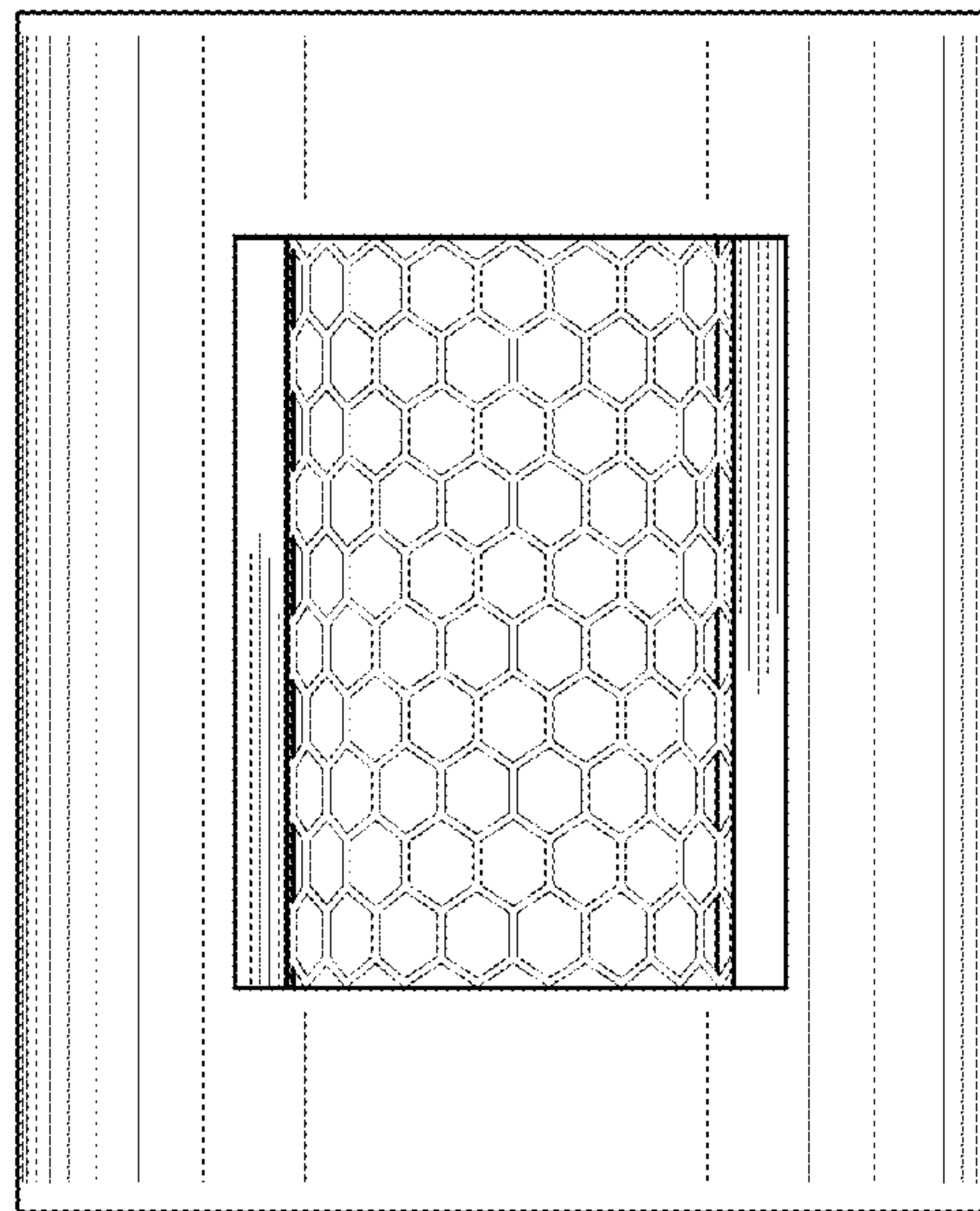


FIG. 2

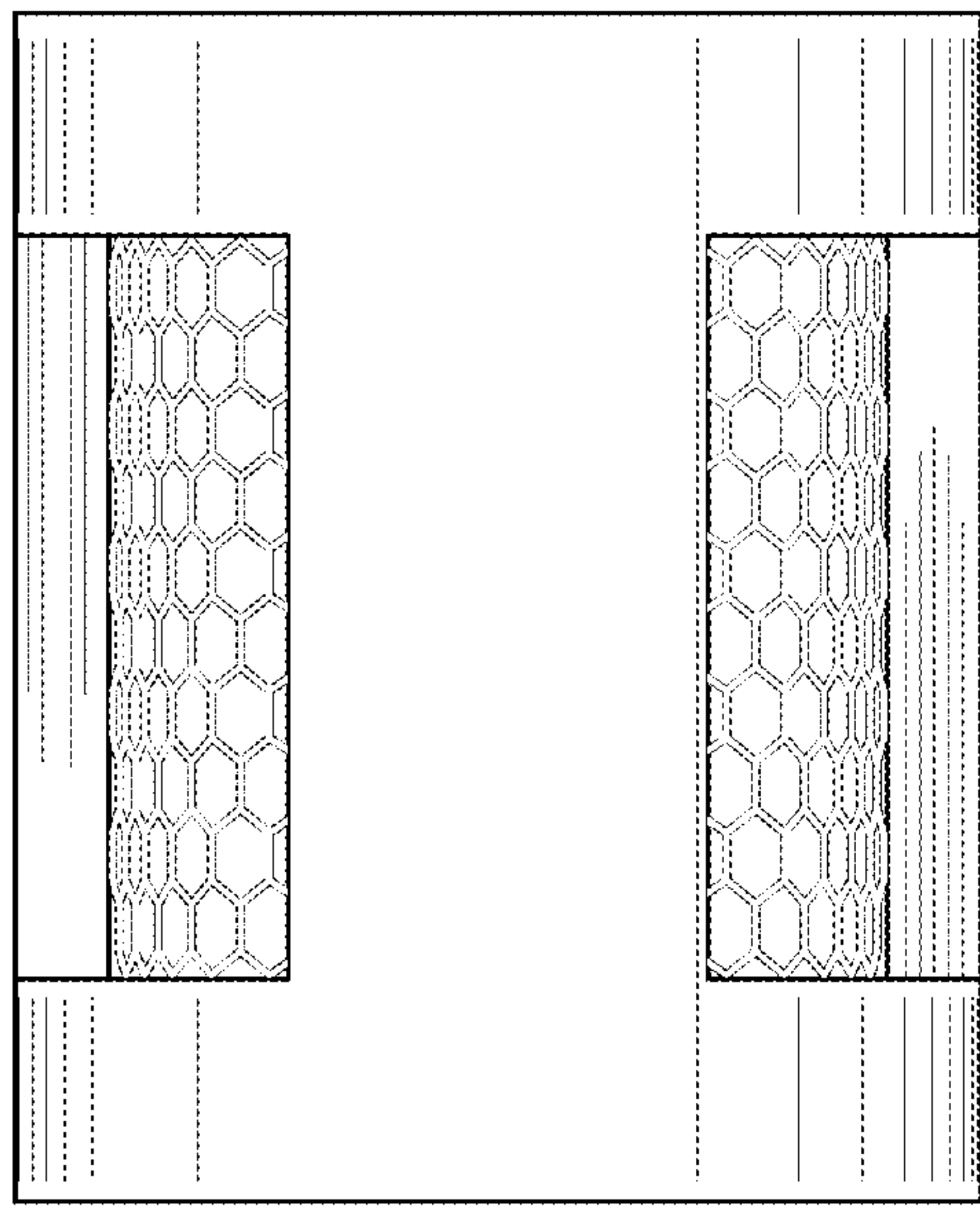


FIG. 3

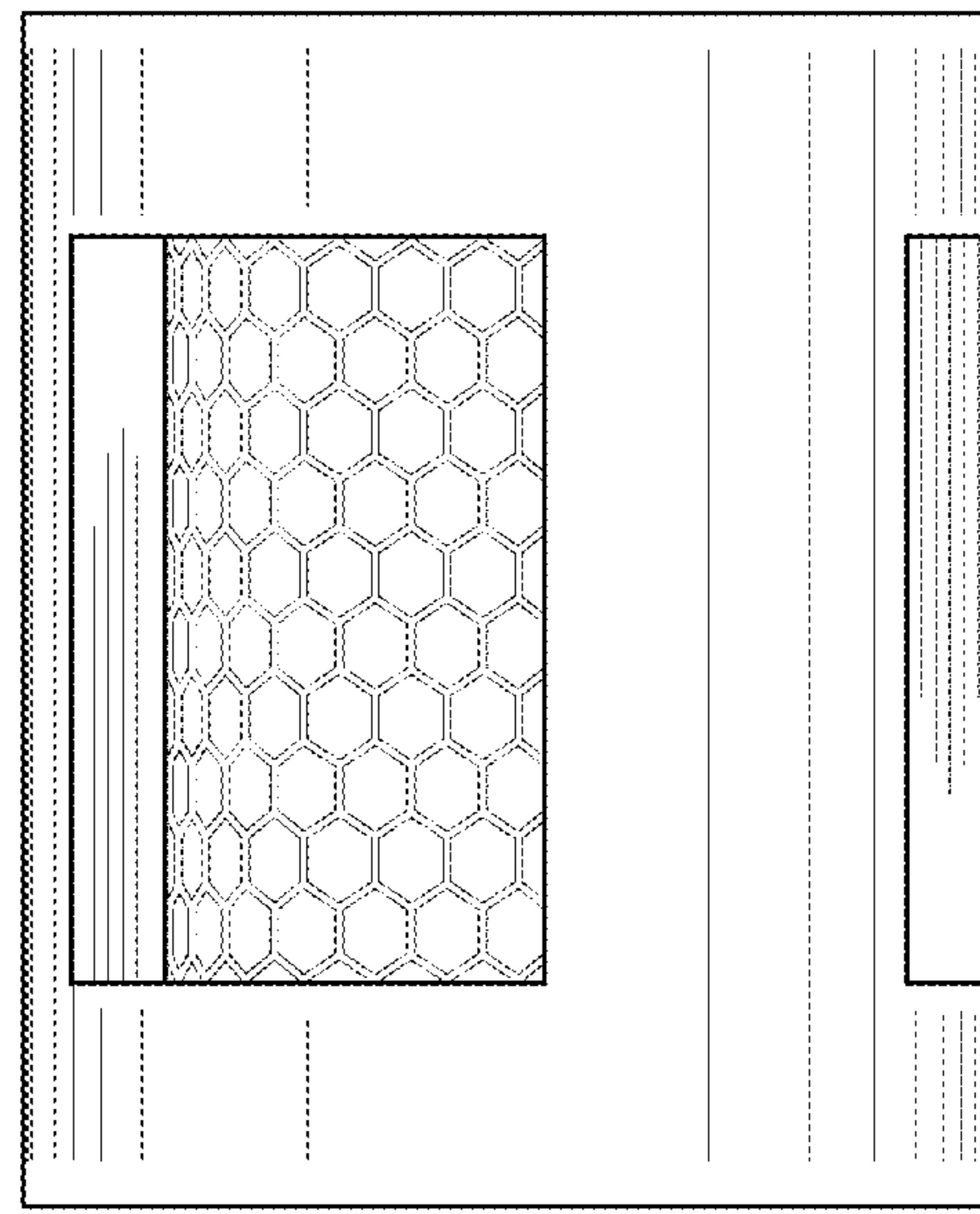


FIG. 4

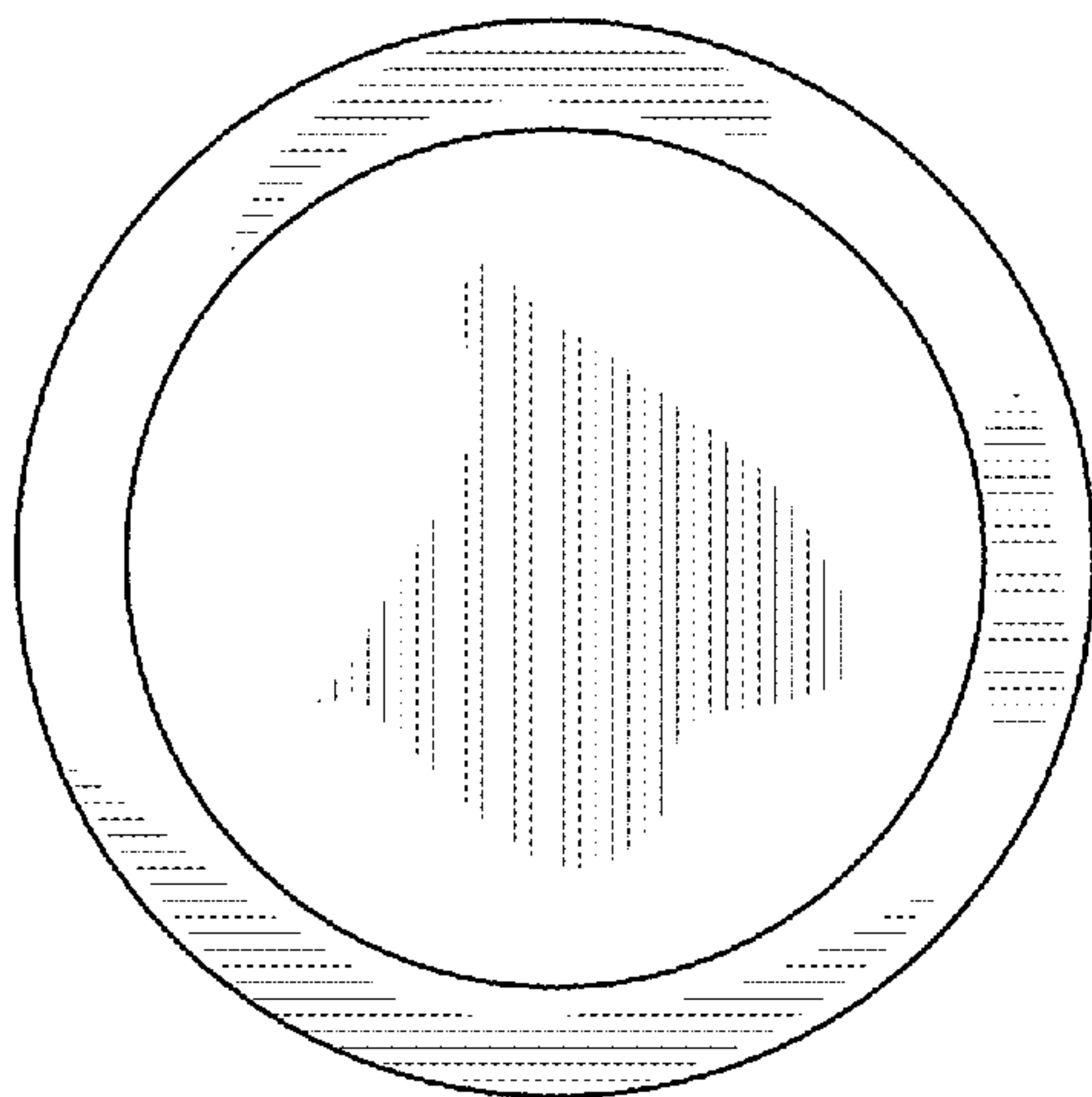


FIG. 5

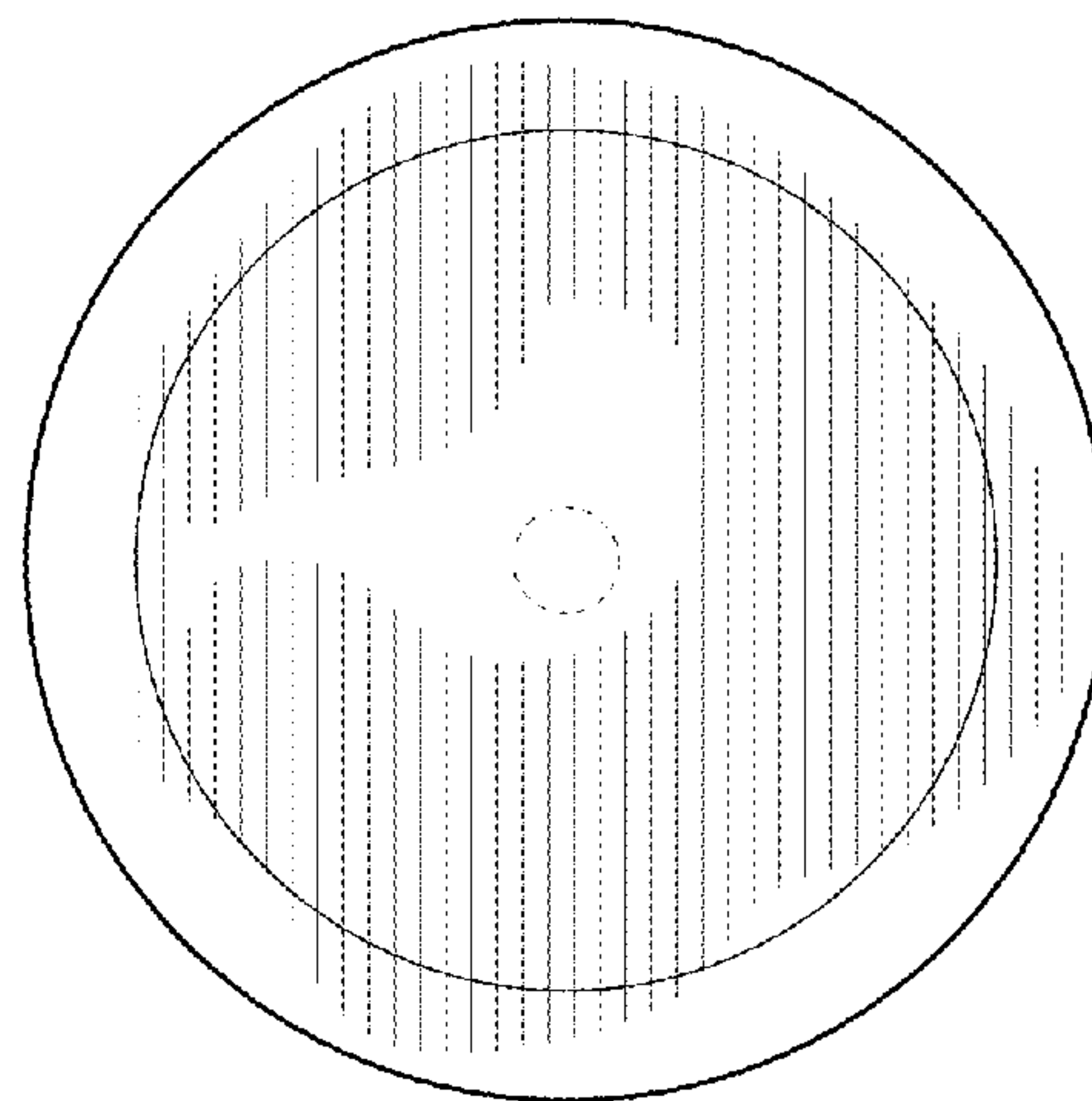


FIG. 6