



US00D708483S

(12) **United States Design Patent**
Gut

(10) **Patent No.:** **US D708,483 S**
(45) **Date of Patent:** **** Jul. 8, 2014**

(54) **BOTTLE ACCESSORY**

(75) Inventor: **Cassandra Gut**, New York, NY (US)

(73) Assignee: **H2O ID, LLC**, Northville, MI (US)

(**) Term: **14 Years**

(21) Appl. No.: **29/407,705**

(22) Filed: **Dec. 1, 2011**

Related U.S. Application Data

(63) Continuation-in-part of application No. 29/381,842, filed on Dec. 23, 2010, now Pat. No. Des. 651,474.

(51) **LOC (10) Cl.** **07-06**

(52) **U.S. Cl.**
USPC **D7/624.2**

(58) **Field of Classification Search**
USPC D9/434, 435, 444, 455, 501, 517;
D7/601-602, 619.1, 624.1, 624.2, 388,
D7/607; D24/199; 215/11.6; 220/592.16,
220/592.17, 737-739, 902-903; 229/89-91
See application file for complete search history.

(56) **References Cited**

U.S. PATENT DOCUMENTS

2,538,684	A	1/1951	Gushard et al.	
5,318,821	A	6/1994	Bradley, Jr.	
6,059,140	A *	5/2000	Hicks	220/739
D429,447	S	8/2000	Prag	
D434,655	S	12/2000	Haugh et al.	

(Continued)

Primary Examiner — Elizabeth J Oswecki

(74) *Attorney, Agent, or Firm* — Tutunjian & Bitetto, P.C.

(57) **CLAIM**

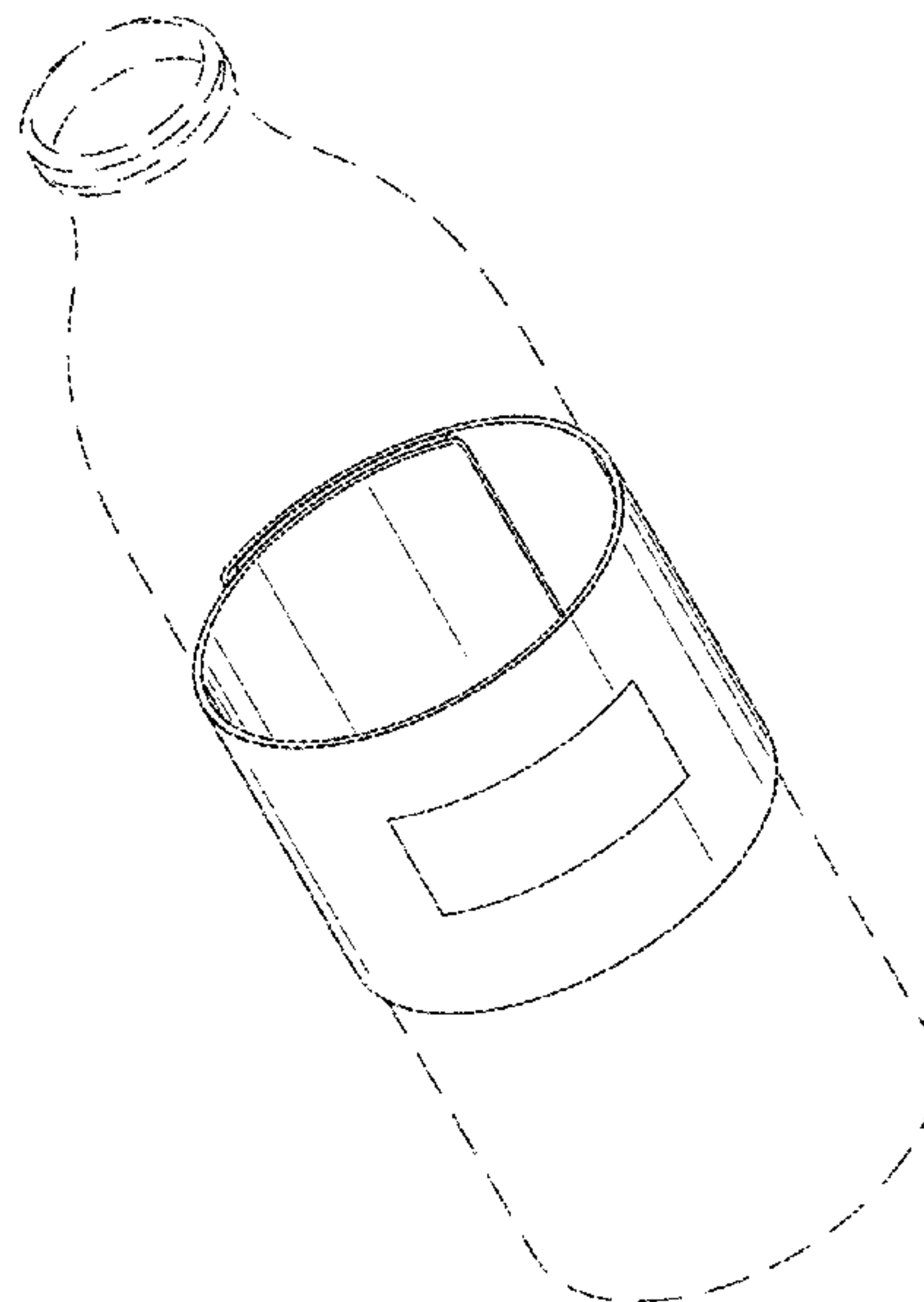
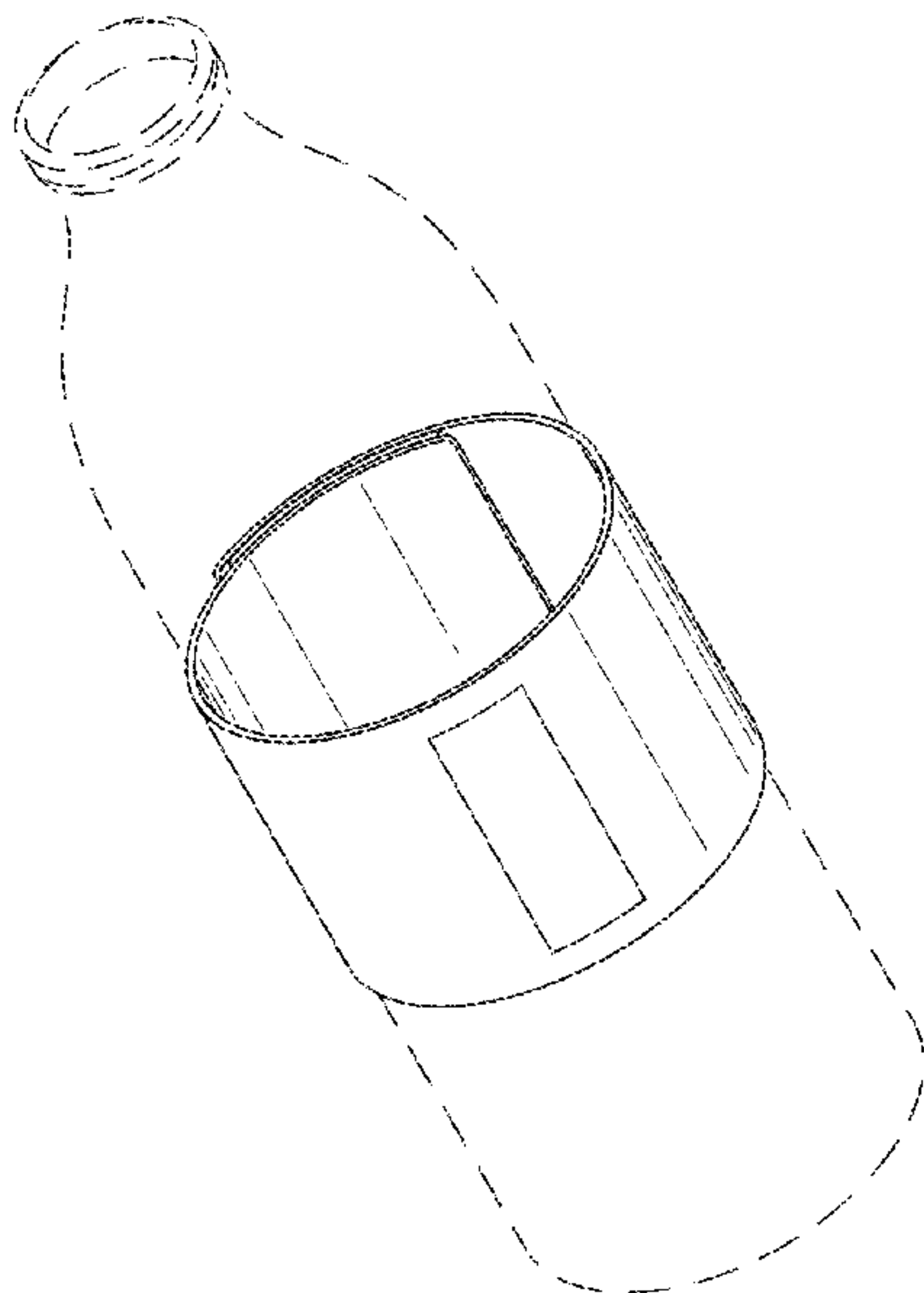
The ornamental design for a bottle accessory, as shown and described.

DESCRIPTION

FIG. 1 is a perspective view of a first embodiment of a bottle accessory showing my new design in a used condition; FIG. 2 is a perspective view of a second embodiment of a bottle accessory in a used condition; FIG. 3 is a top view of FIG. 1 in a flat position; FIG. 4 is a top view of FIG. 2 in a flat position; FIG. 5 is a top view of a third embodiment of a bottle accessory in a flat position; FIG. 6 is a top view of a fourth embodiment of a bottle accessory in a flat position; FIG. 7 is a bottom view of FIG. 3 shown in a flat position, the bottom view of FIGS. 4-6 are identical; FIG. 8 is a front view of FIG. 1 shown in a used condition; FIG. 9 is a front view of FIG. 2 shown in a used condition; FIG. 10 is a rear view of FIG. 8 shown in a used condition; FIG. 11 is a left side view of FIG. 8 shown in a used condition; FIG. 12 is a left side view of FIG. 9 shown in a used condition; FIG. 13 is a right side view of FIG. 8 shown in a used condition; FIG. 14 is a right side view of FIG. 9 shown in a used condition; FIG. 15 is a top view of FIG. 8 shown in a used condition, the top view of FIGS. 4-6 in used condition are identical; FIG. 16 is a bottom view of FIG. 8 shown in a used condition, the bottom view of FIGS. 4-6 in a used condition are identical; and, FIG. 17 is a perspective view of FIG. 6.

The dotted lines shown in the drawings are not considered part of the claimed design, and all sides not shown form no part of the claimed design.

1 Claim, 6 Drawing Sheets



(56)

References Cited

U.S. PATENT DOCUMENTS

D480,969 S * 10/2003 Owens D9/455
D557,990 S 12/2007 Martin
D611,819 S * 3/2010 Slubski D9/516
D640,507 S * 6/2011 Selina et al. D7/607
D640,508 S * 6/2011 Bouillon D7/624.2

D643,689 S * 8/2011 Selina et al. D7/607
D643,690 S * 8/2011 Selina et al. D7/607
D643,691 S * 8/2011 Selina et al. D7/607
D643,692 S * 8/2011 Selina et al. D7/607
D643,693 S * 8/2011 Jama D7/624.2
D651,474 S * 1/2012 Gut D7/624.2
D679,554 S * 4/2013 Molz D7/624.2

* cited by examiner

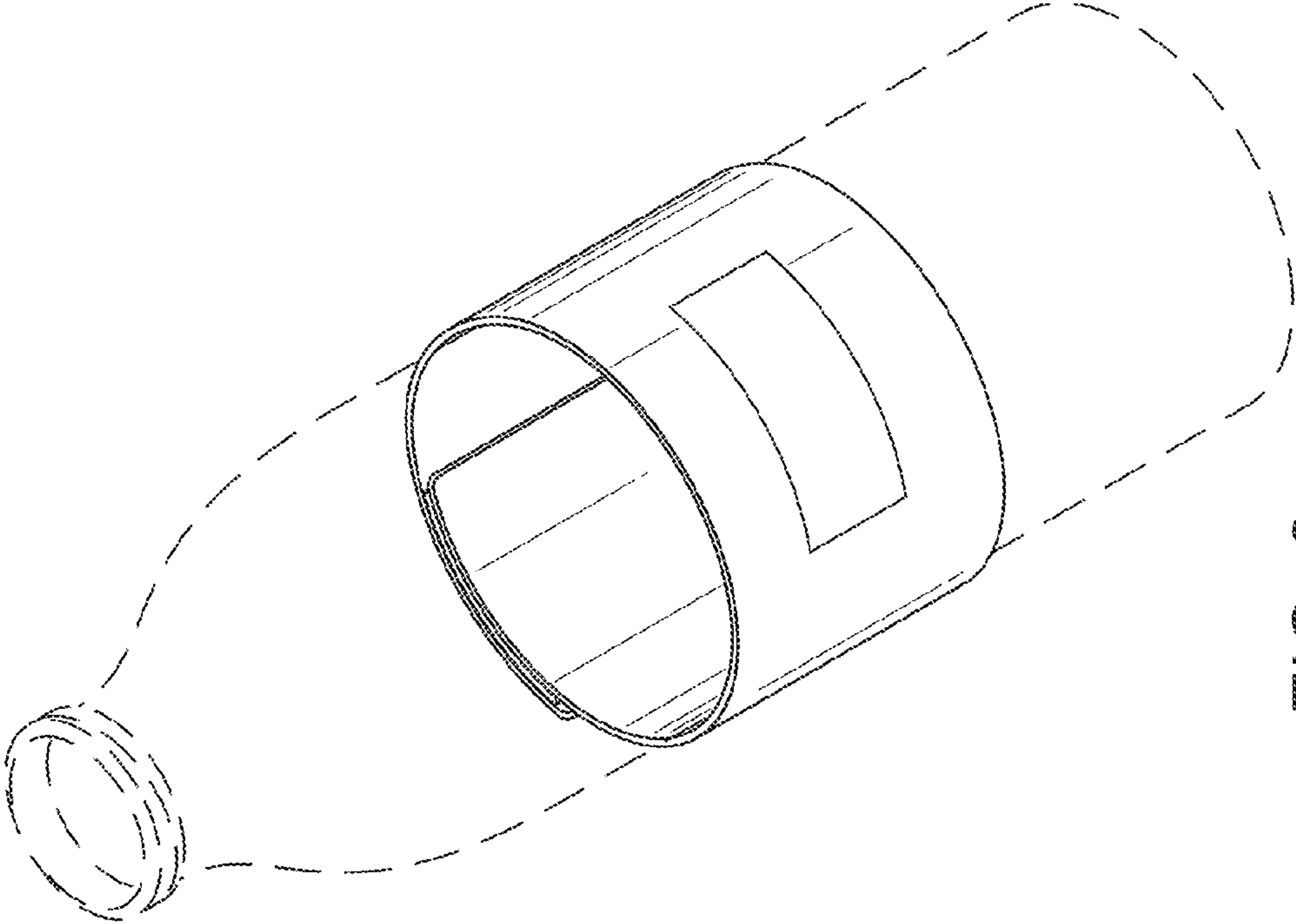


FIG. 2

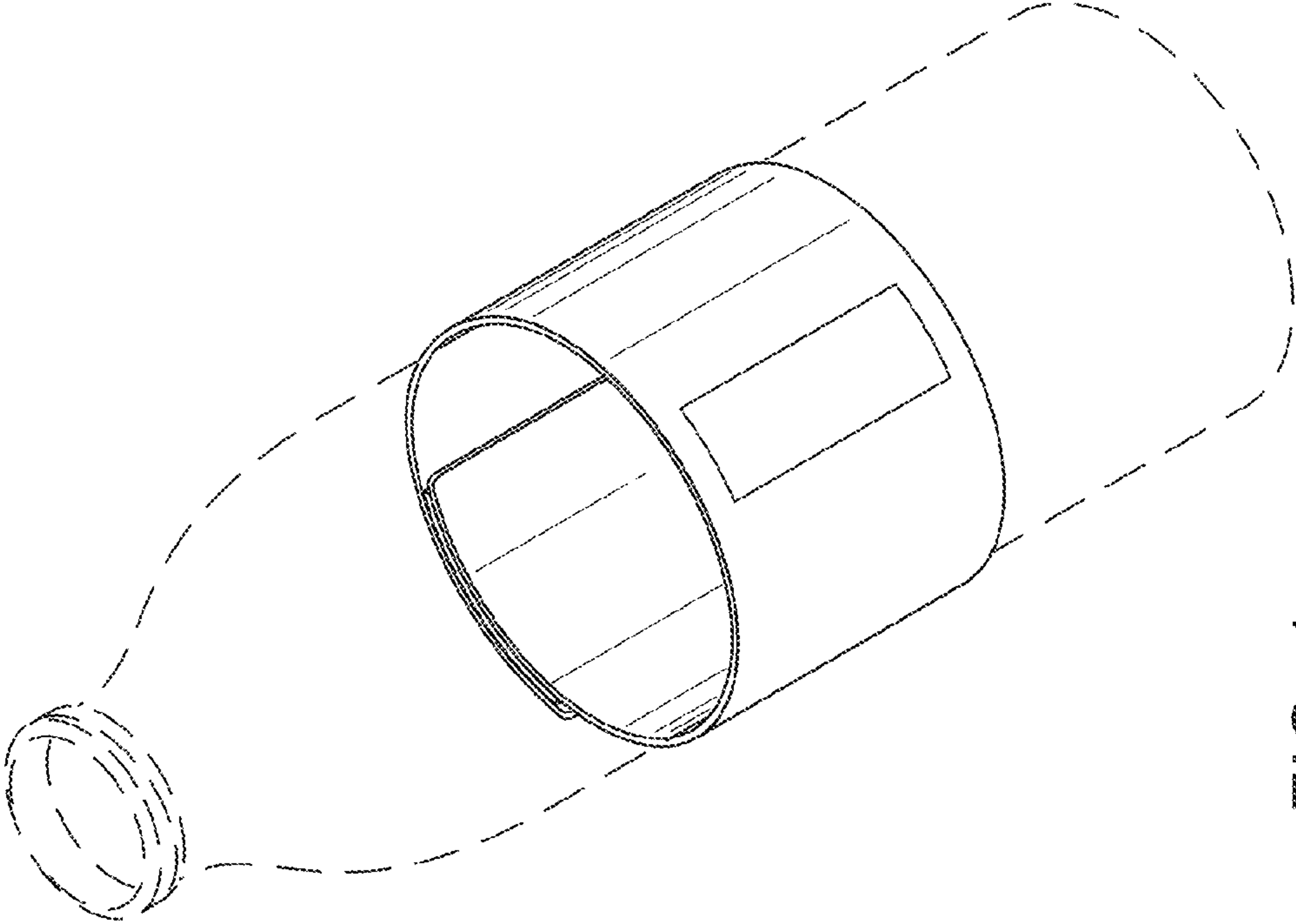


FIG. 1

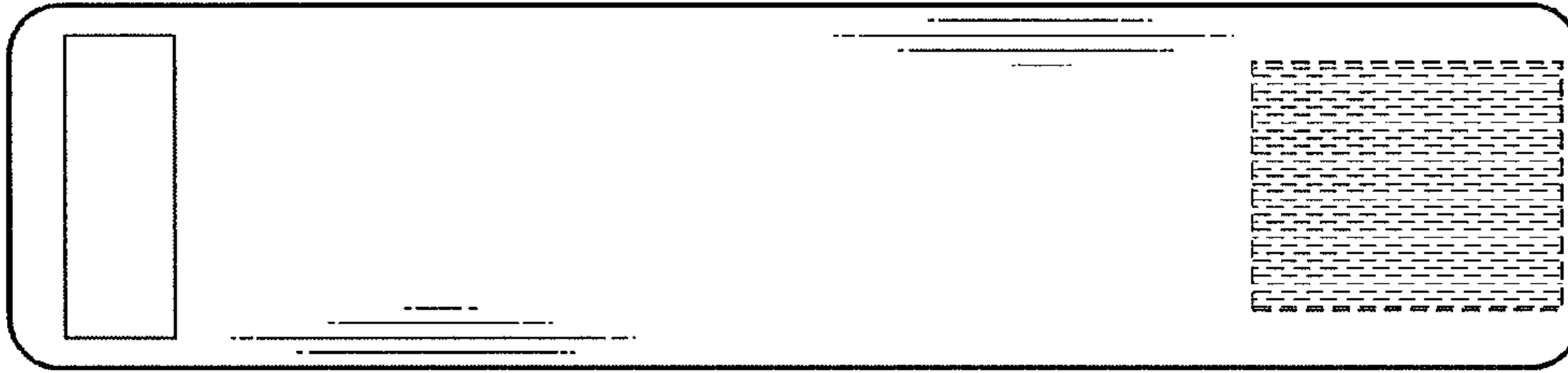


FIG. 5

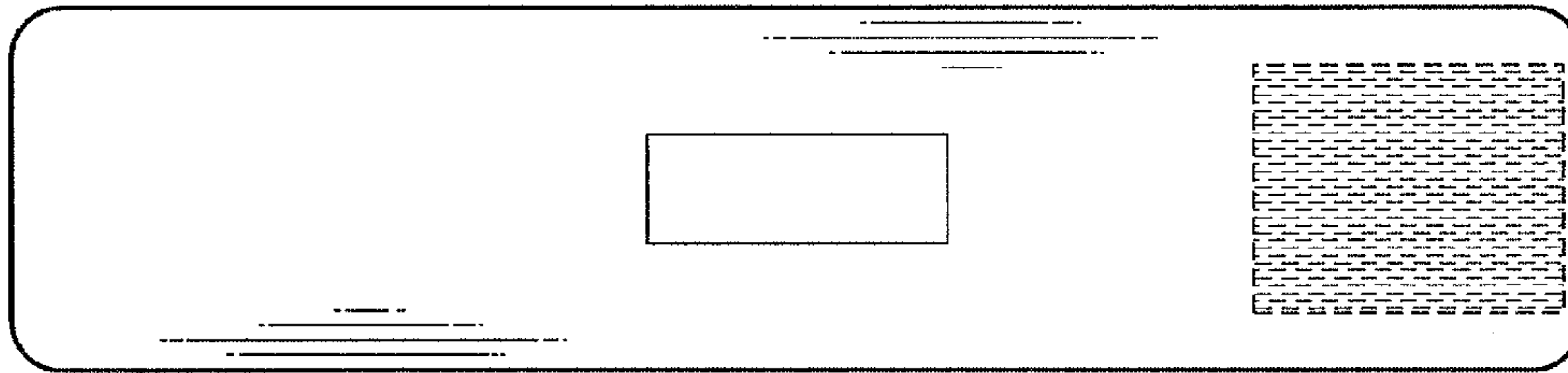


FIG. 4

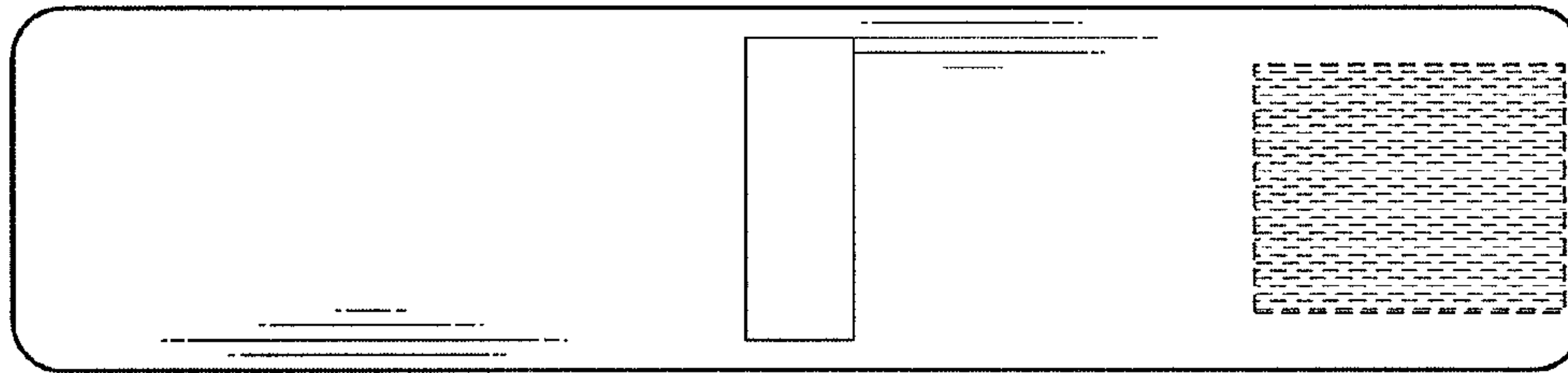


FIG. 3

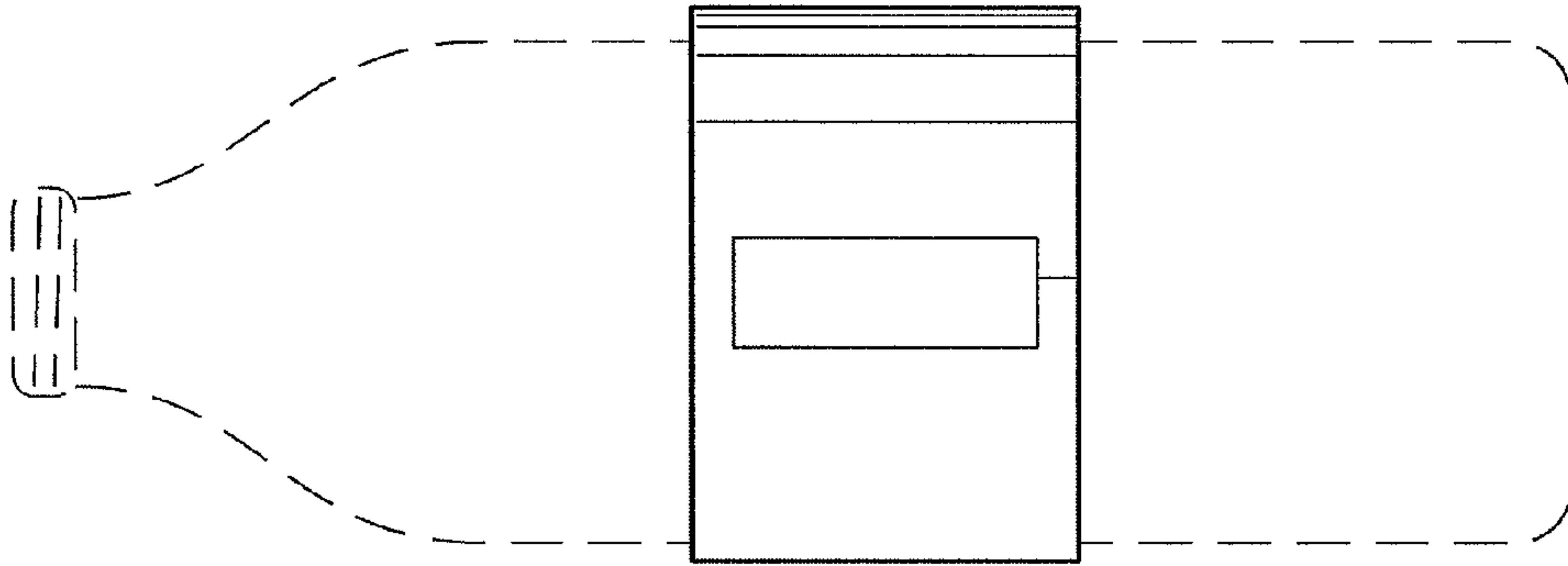


FIG. 8

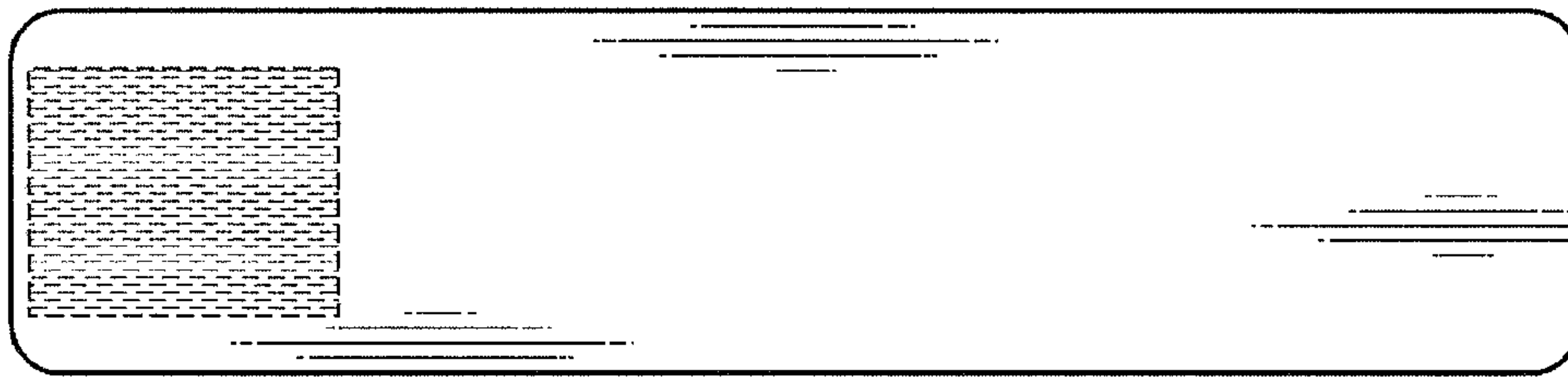


FIG. 7

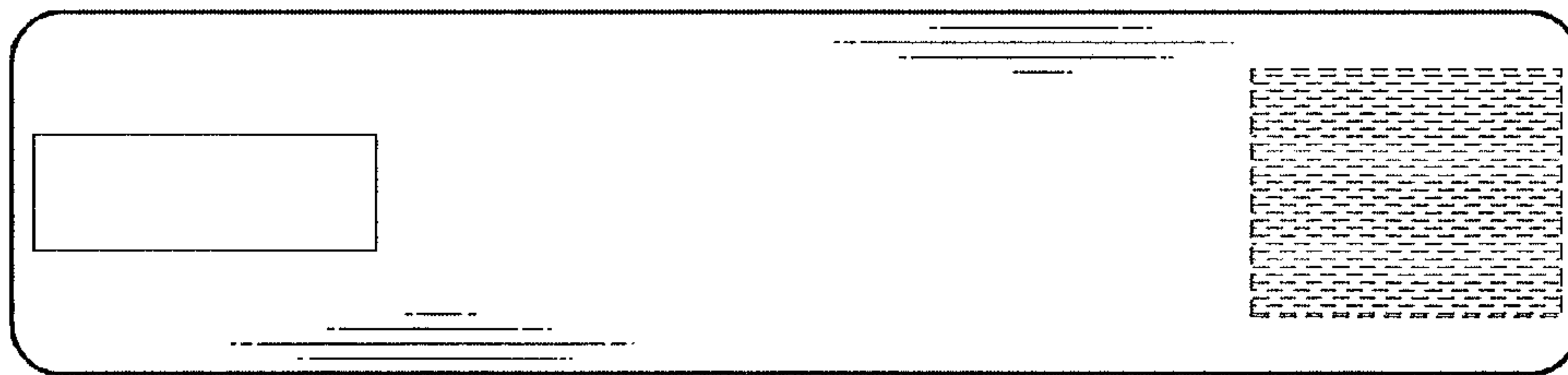


FIG. 6

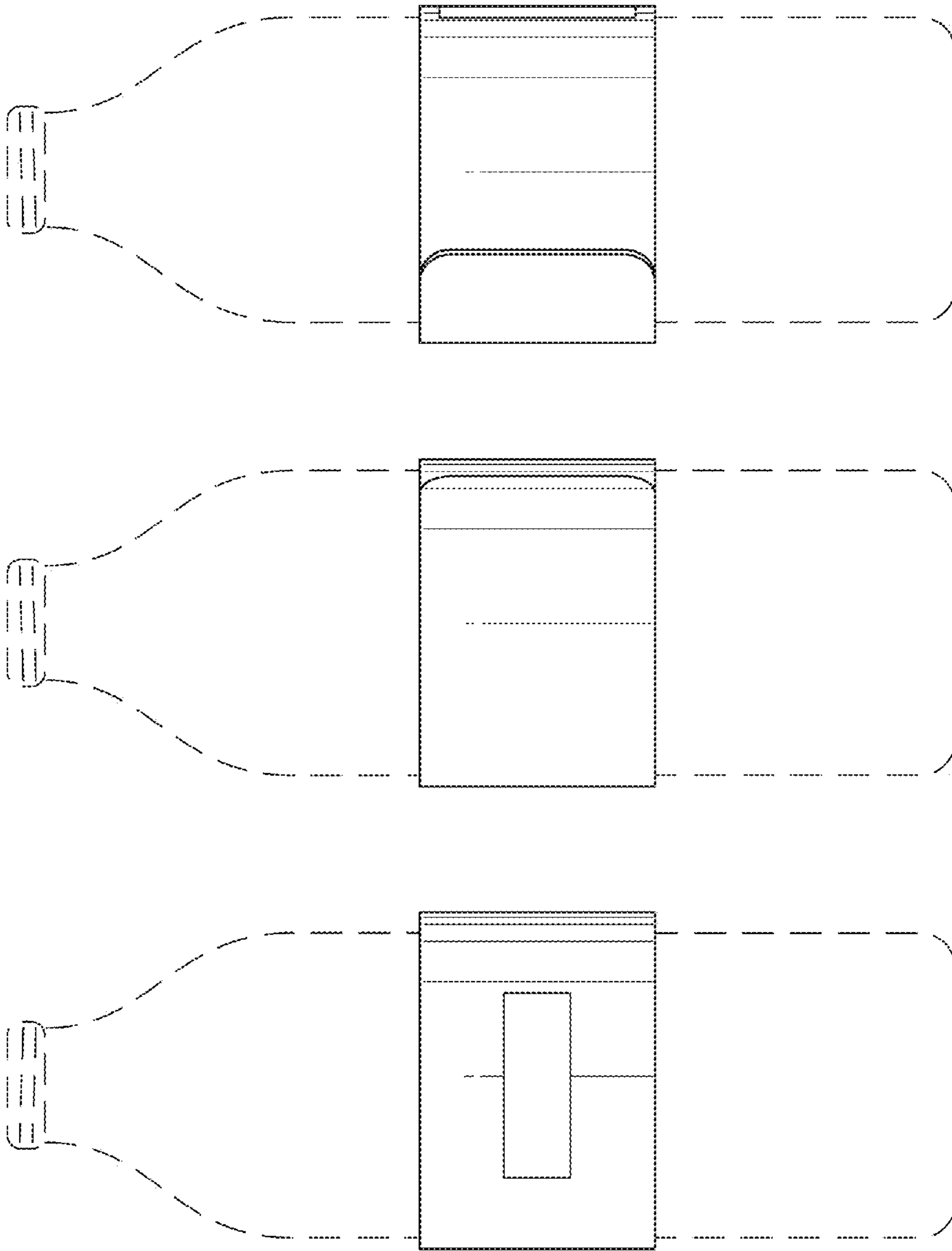


FIG. 9

FIG. 10

FIG. 11

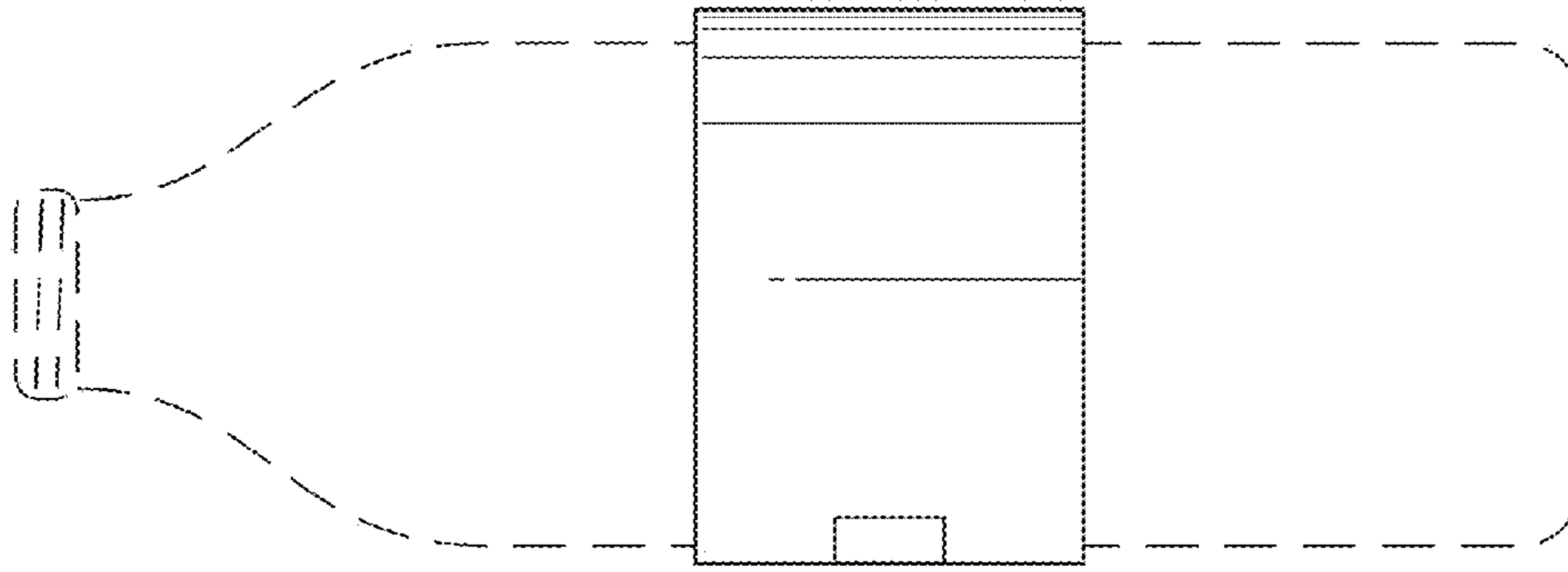


FIG. 12

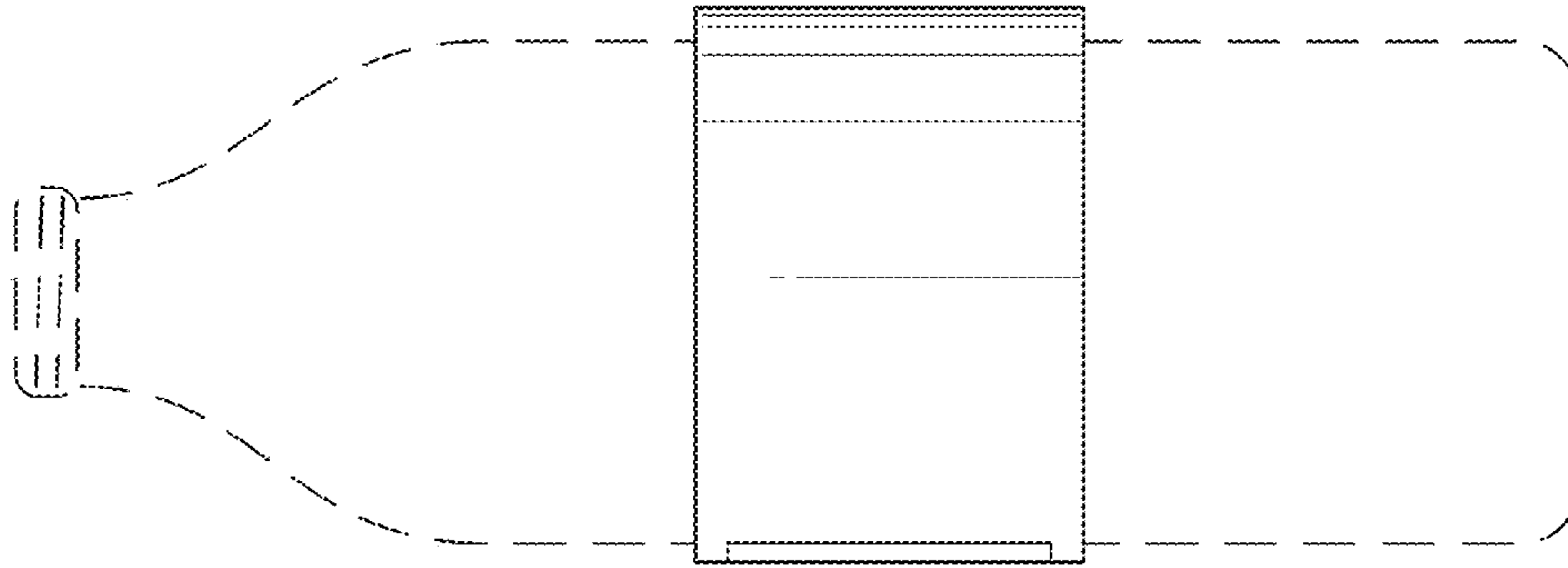


FIG. 13

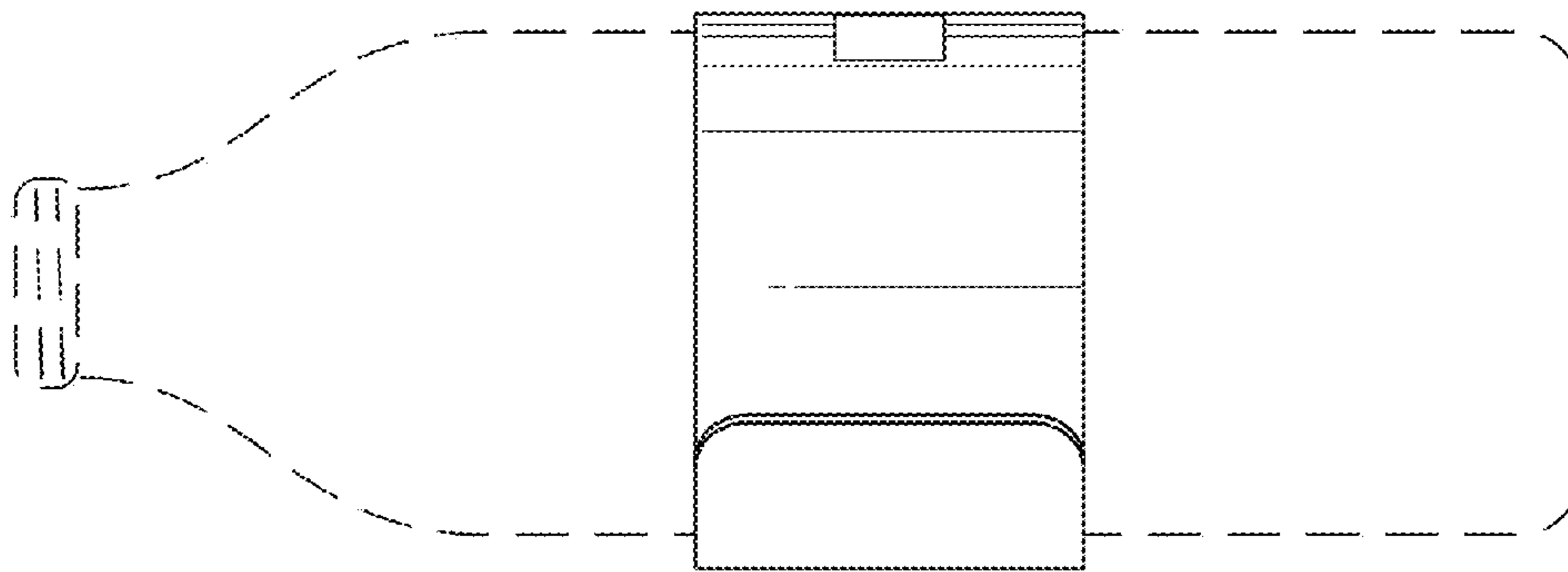


FIG. 14

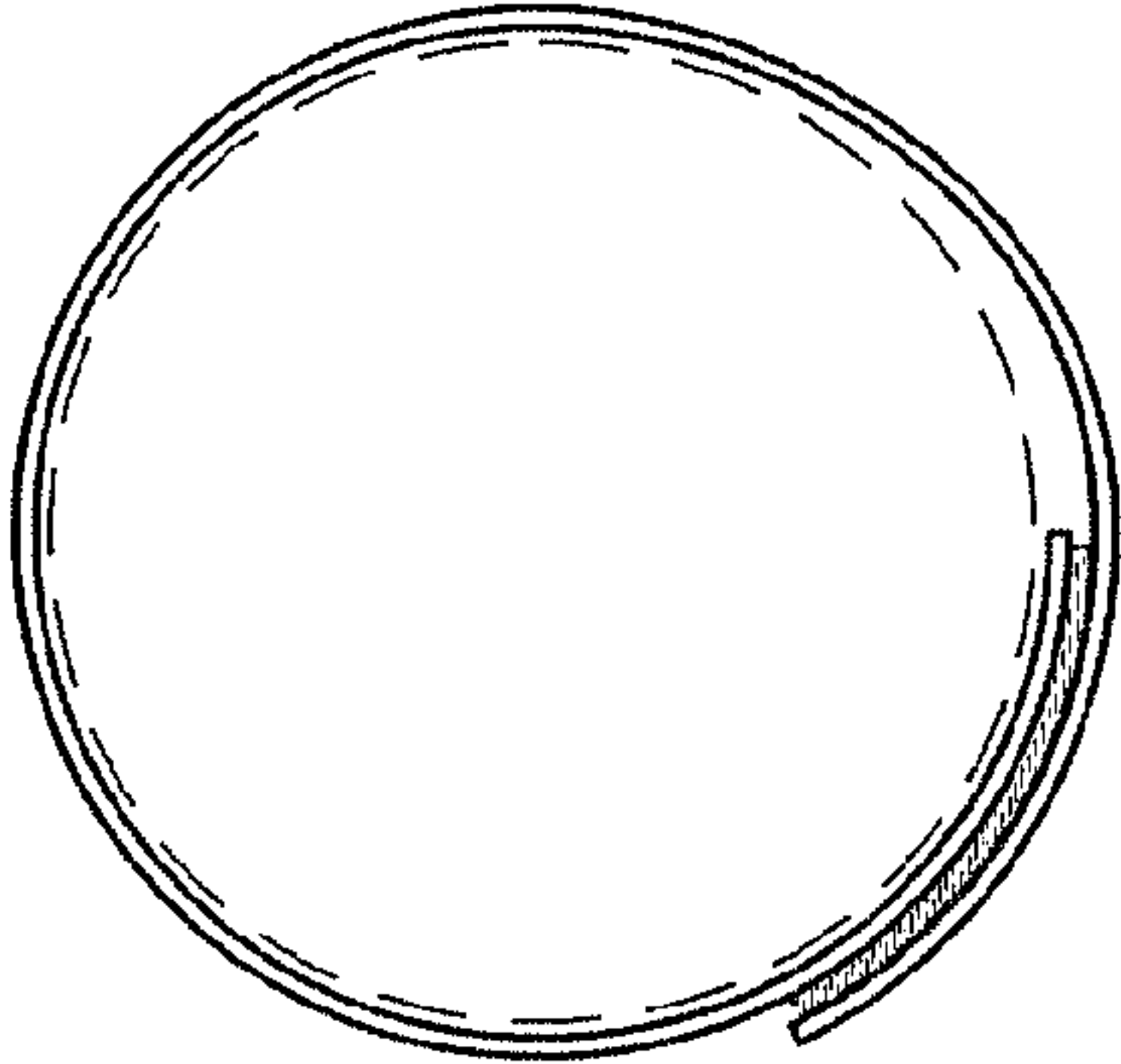


FIG. 16

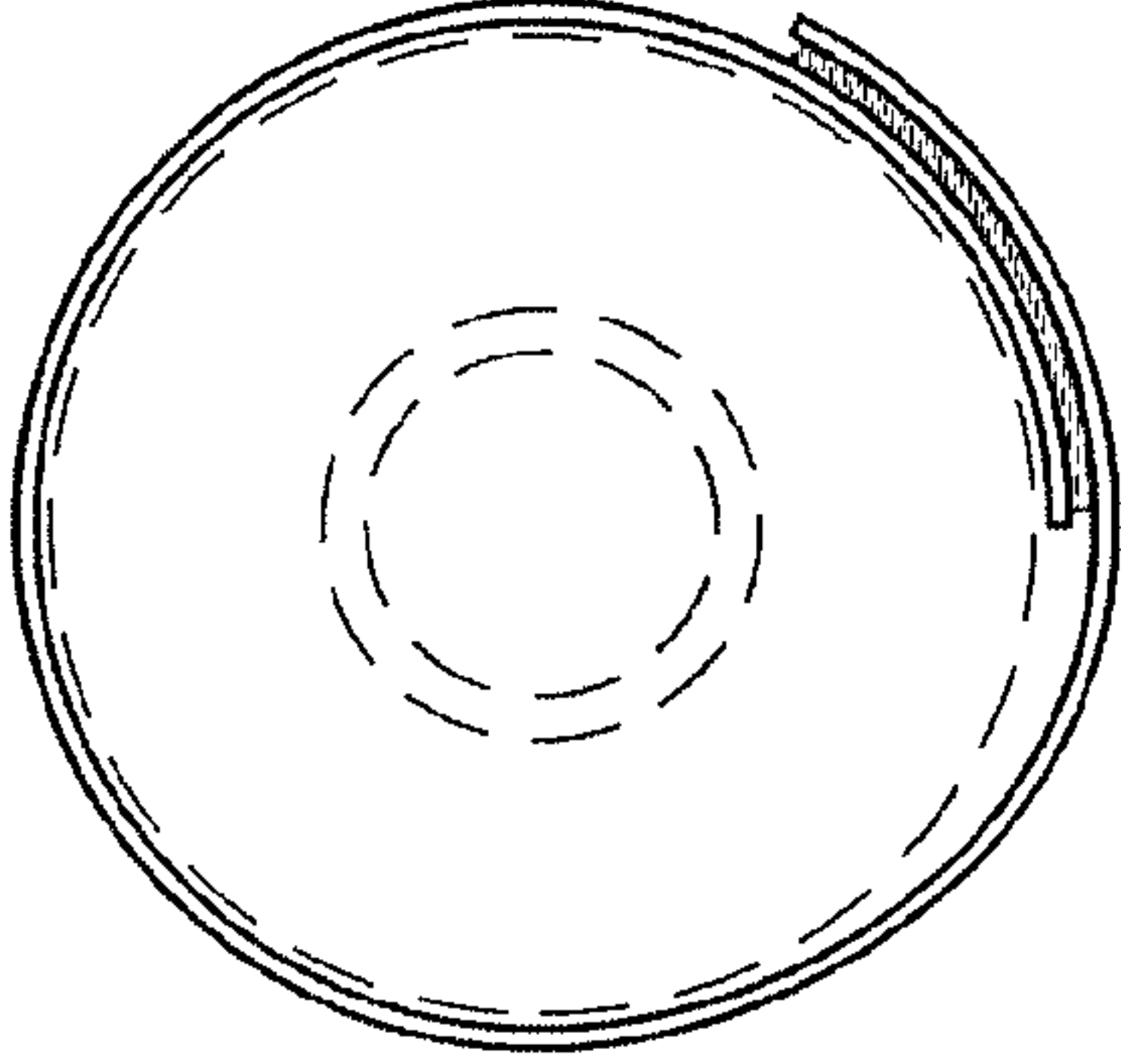


FIG. 15

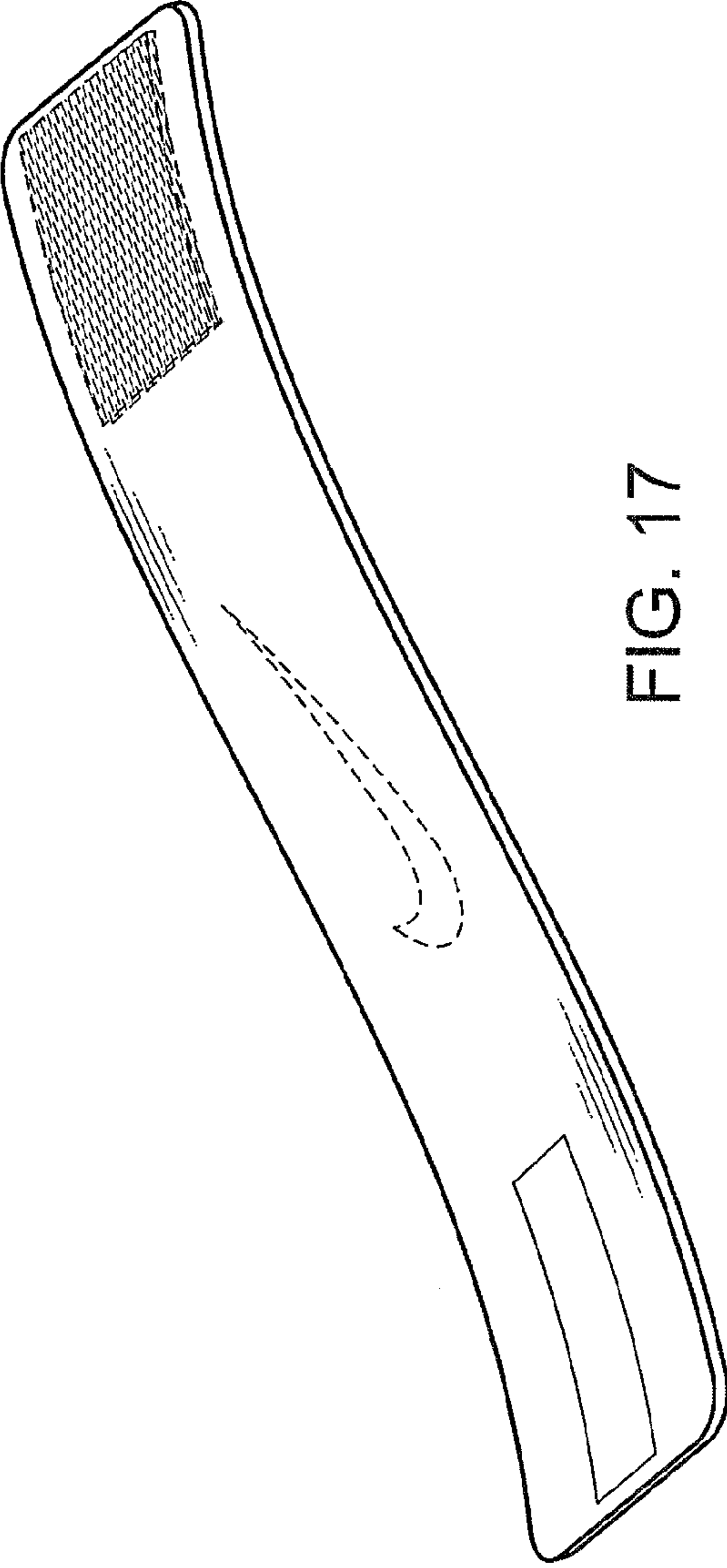


FIG. 17