



US00D708480S

(12) **United States Design Patent**
Kramer

(10) **Patent No.:** **US D708,480 S**
(45) **Date of Patent:** **** Jul. 8, 2014**

(54) **DRINKING CUP**

(71) Applicant: **Ronald Kramer**, Phoenix, AZ (US)

(72) Inventor: **Ronald Kramer**, Phoenix, AZ (US)

(**) Term: **14 Years**

(21) Appl. No.: **29/471,414**

(22) Filed: **Oct. 31, 2013**

Related U.S. Application Data

(63) Continuation-in-part of application No. 29/471,407, filed on Oct. 31, 2013.

(51) **LOC (10) Cl.** **07-01**

(52) **U.S. Cl.**
USPC **D7/515**; D7/510; D7/901; D7/511;
D9/668

(58) **Field of Classification Search**
CPC A47G 19/2227; A47G 19/2205; A47G
19/2272
USPC D7/901, 510, 515, 514, 300.1, 511;
D21/681, 682; D9/668, 538, 503;
220/703, 603; 215/12.1; D3/202;
482/108

See application file for complete search history.

(56) **References Cited**

U.S. PATENT DOCUMENTS

3,971,556 A * 7/1976 Petrie et al. 482/108
D269,950 S * 8/1983 Walker D9/668
D302,038 S * 7/1989 Barber D24/197
D317,256 S * 6/1991 Samuels D9/503
D337,522 S * 7/1993 Kingsbury D9/538
5,620,112 A * 4/1997 Brown 220/703

D409,266 S * 5/1999 Rojas et al. D21/681
D414,655 S * 10/1999 Schwarz D7/514
D456,705 S * 5/2002 Vijn D9/668
D465,151 S * 11/2002 Mixon D9/668
D489,001 S * 4/2004 Martin D9/668
D490,653 S * 6/2004 Kleckauskas et al. D7/510
D538,359 S * 3/2007 Yordinsky D21/681
D596,492 S * 7/2009 Safdieh D9/668
D597,612 S * 8/2009 Lien D21/681
D609,526 S * 2/2010 Tuttle D7/507
D609,968 S * 2/2010 Stern D7/510
D627,234 S * 11/2010 Hanak D9/668
D641,888 S * 7/2011 Jenkins et al. D24/197
D650,289 S * 12/2011 Bosiljevac et al. D9/668
D692,970 S * 11/2013 Lien D21/681
D695,128 S * 12/2013 Ozsinmaz D9/668
8,695,836 B1 * 4/2014 Gregory 220/524

* cited by examiner

Primary Examiner — Marianne Pandozzi

(74) *Attorney, Agent, or Firm* — Booth Udall Fuller, PLC

(57) **CLAIM**

The ornamental design for a drinking cup, as shown and described.

DESCRIPTION

FIG. 1 is an exploded top perspective view of a drinking cup; FIG. 2 is an exploded front side view thereof, the exploded back side view being a mirror image to the exploded front side view;

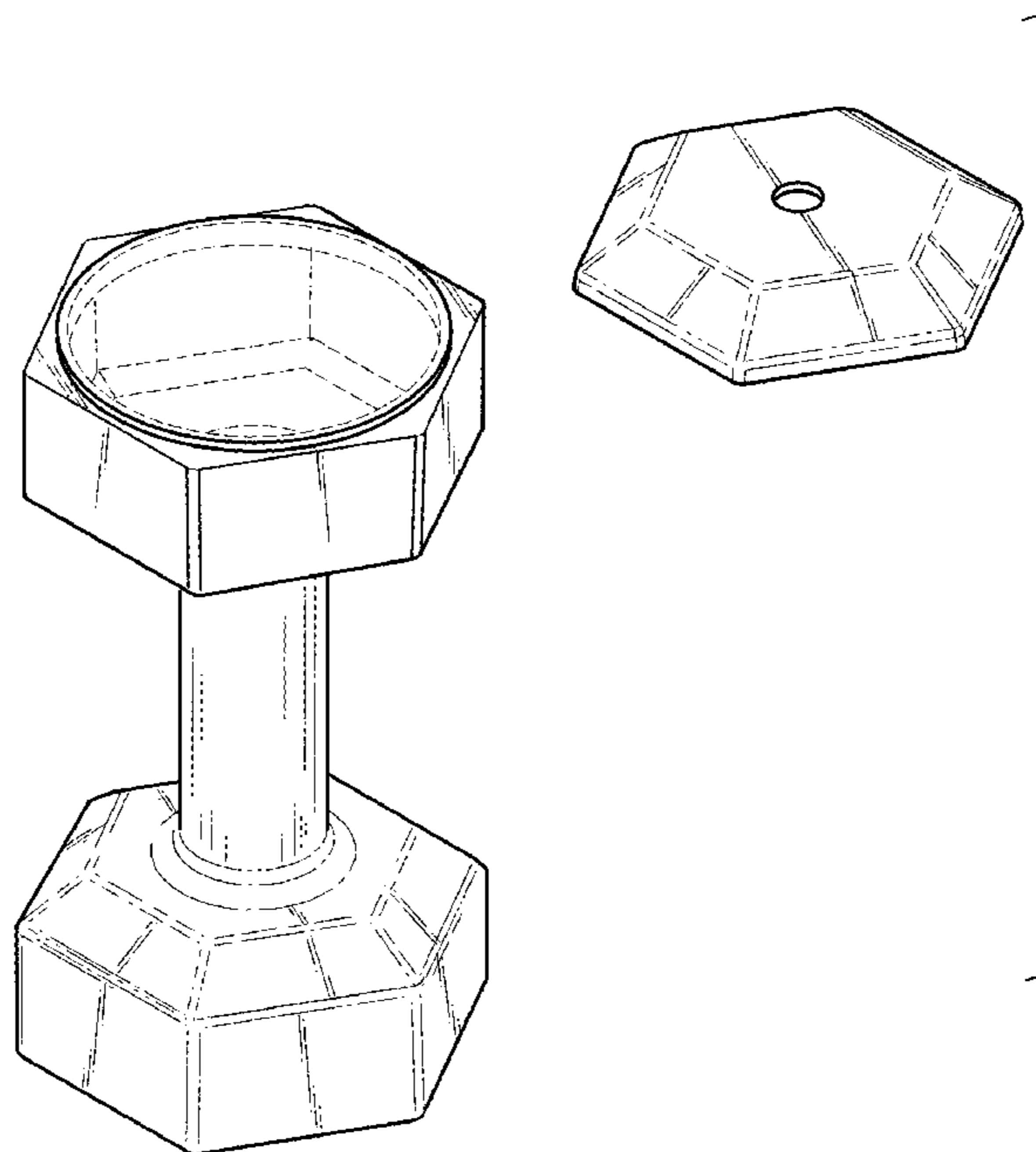
FIG. 3 is an exploded right side view of thereof, the exploded left side being a mirror image to the exploded right side;

FIG. 4 is an exploded top view thereof; and,

FIG. 5 is an exploded bottom view thereof.

The broken lines in the drawings illustrate features that form no part of the claimed design.

1 Claim, 4 Drawing Sheets



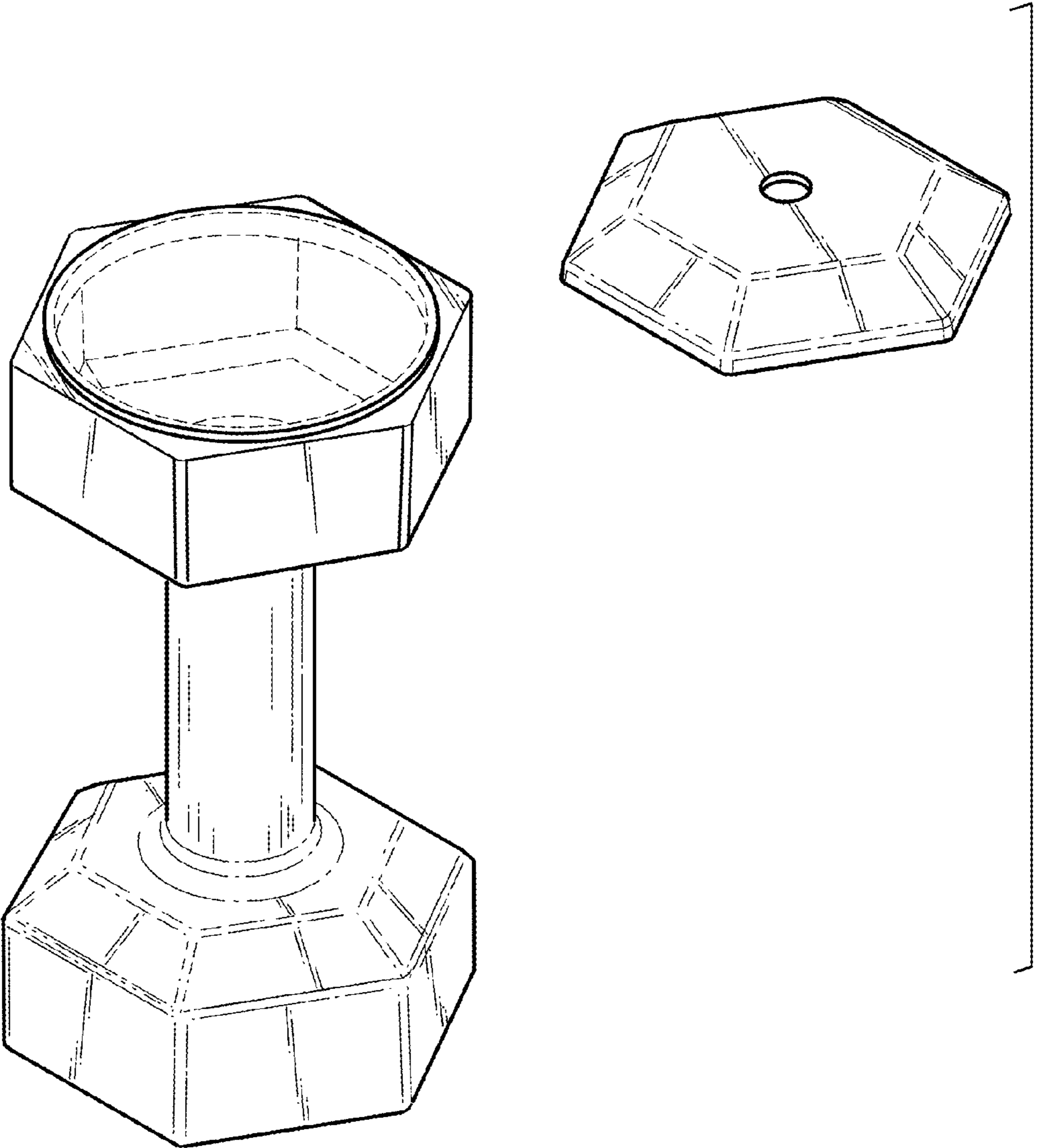


FIG. 1

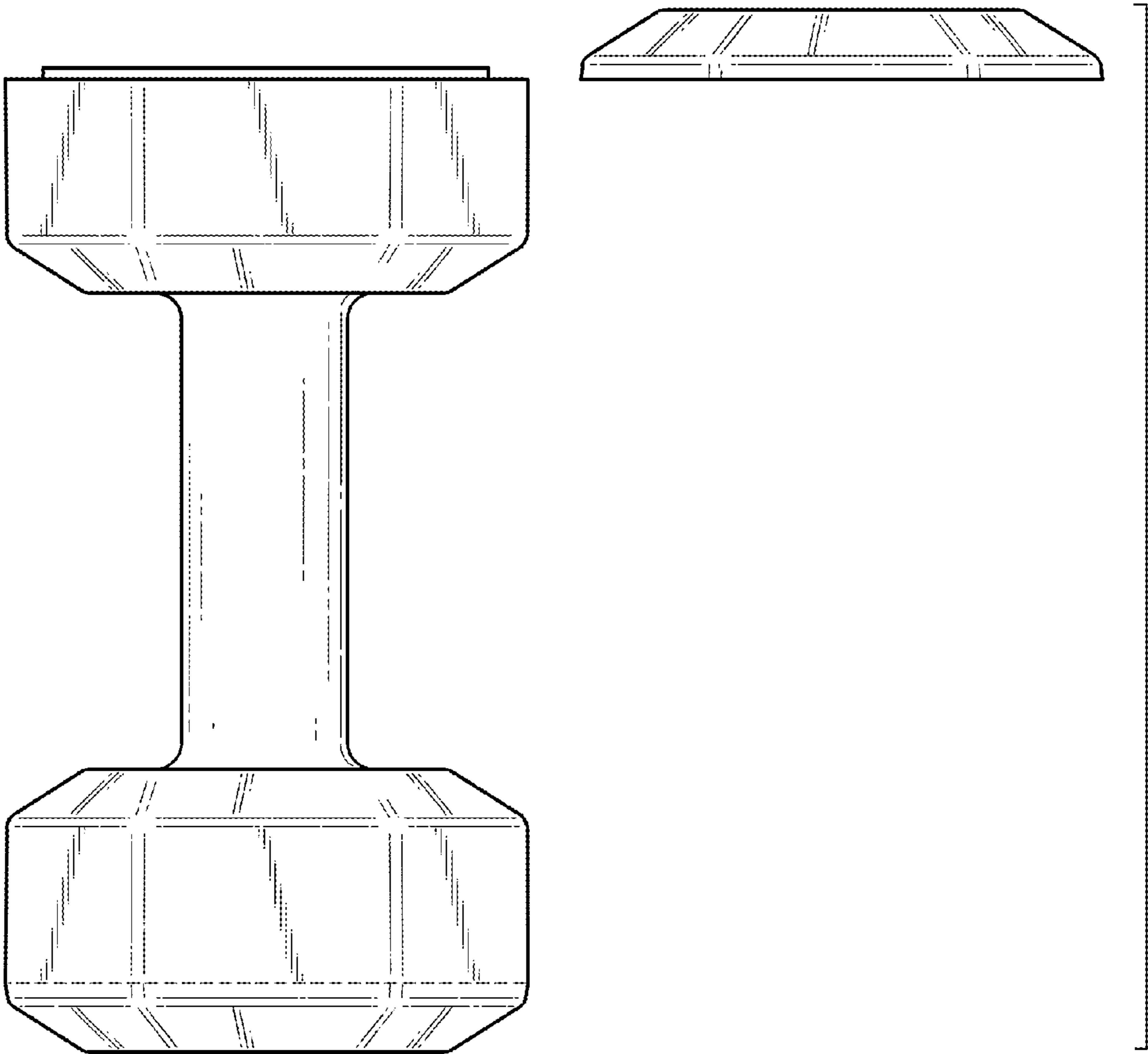


FIG. 2

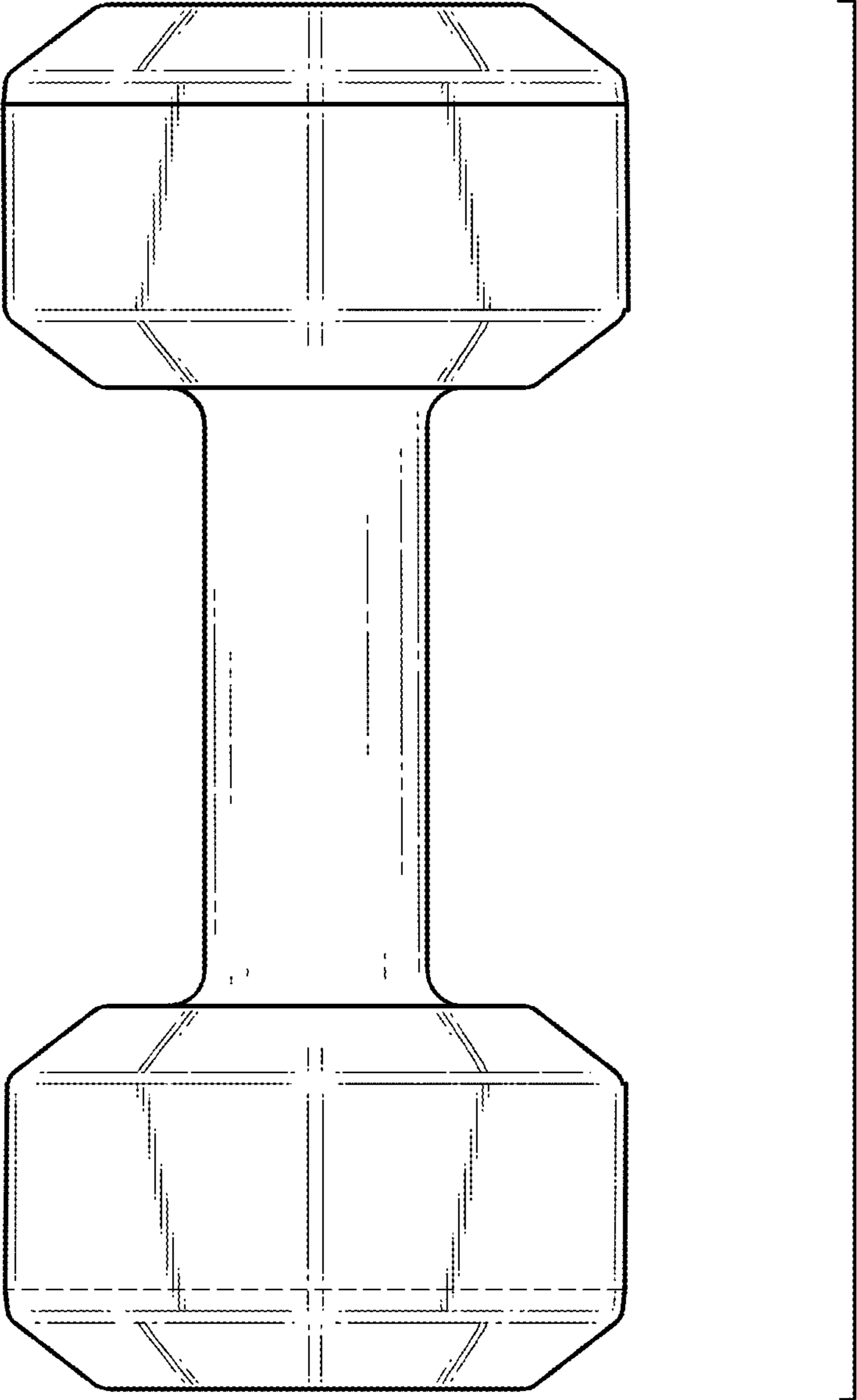


FIG. 3

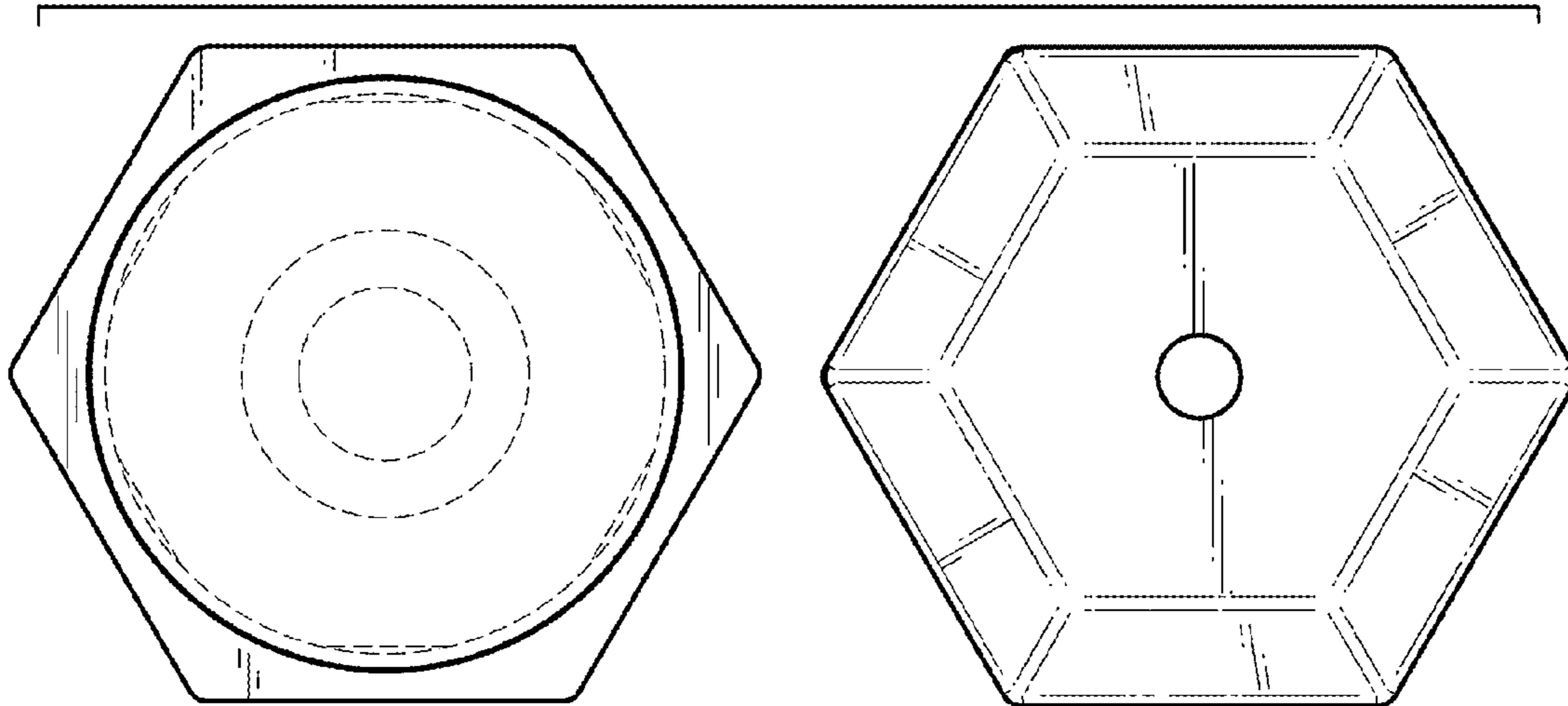


FIG. 4

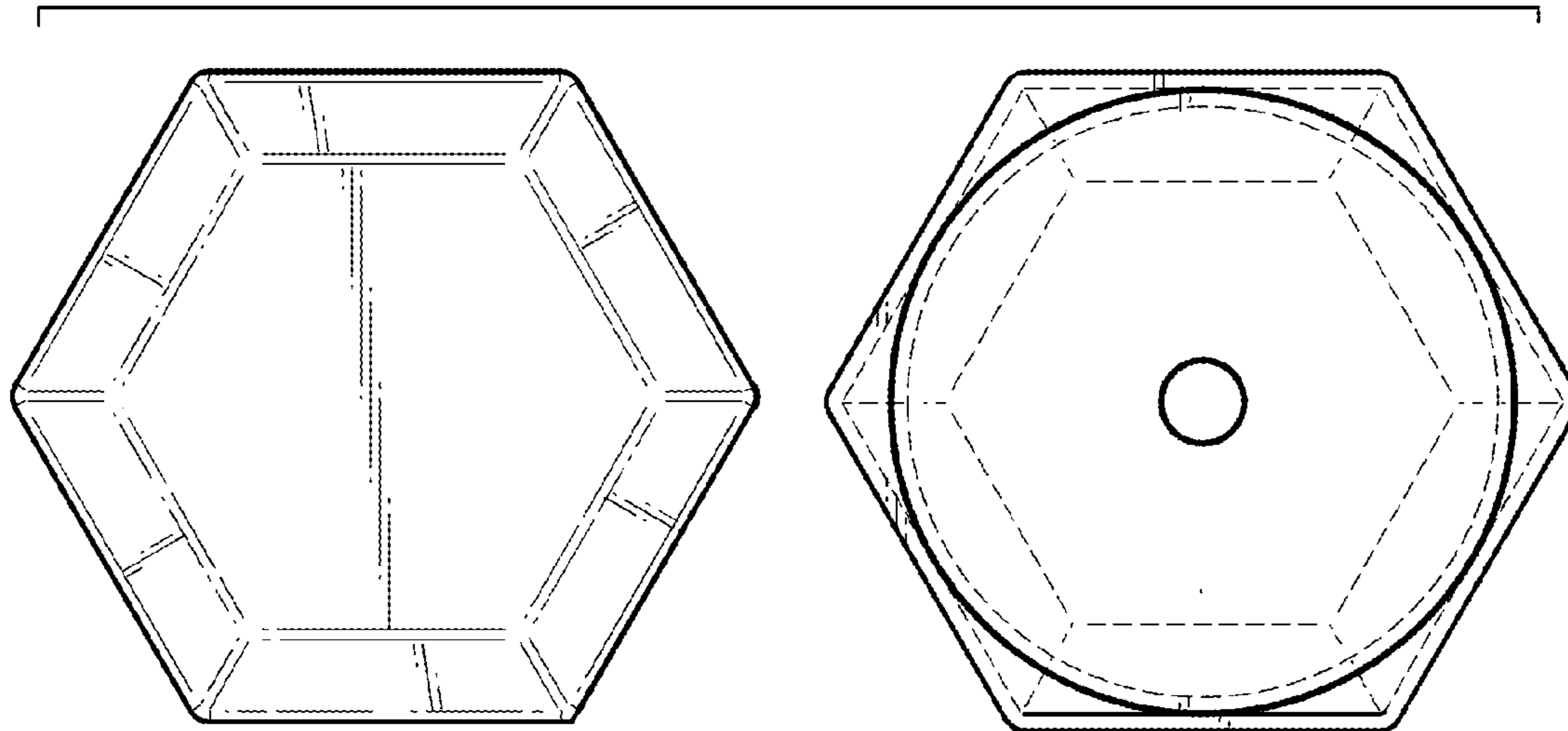


FIG. 5