



US00D708478S

(12) **United States Design Patent**
Pai

(10) **Patent No.:** **US D708,478 S**
(45) **Date of Patent:** **** Jul. 8, 2014**

- (54) **LID FOR A GRILL**
- (71) Applicant: **Lucas Pai**, Taichung (TW)
- (72) Inventor: **Lucas Pai**, Taichung (TW)
- (**) Term: **14 Years**
- (21) Appl. No.: **29/444,684**
- (22) Filed: **Feb. 1, 2013**
- (51) **LOC (10) Cl.** **07-02**
- (52) **U.S. Cl.**
USPC **D7/402**
- (58) **Field of Classification Search**
USPC D7/332, 334–337, 402–405, 407–409;
126/25 R, 25 A, 25 AA, 25 B, 9 R, 9 B,
126/41 R, 37 R, 40, 50; D6/574
See application file for complete search history.

D529,331 S *	10/2006	Chung	D7/334
D549,046 S *	8/2007	Chung	D7/402
D600,968 S *	9/2009	Chung	D7/337
D658,926 S *	5/2012	Chung	D7/334

* cited by examiner

Primary Examiner — Ruth McInroy
(74) *Attorney, Agent, or Firm* — Egbert Law Offices, PLLC

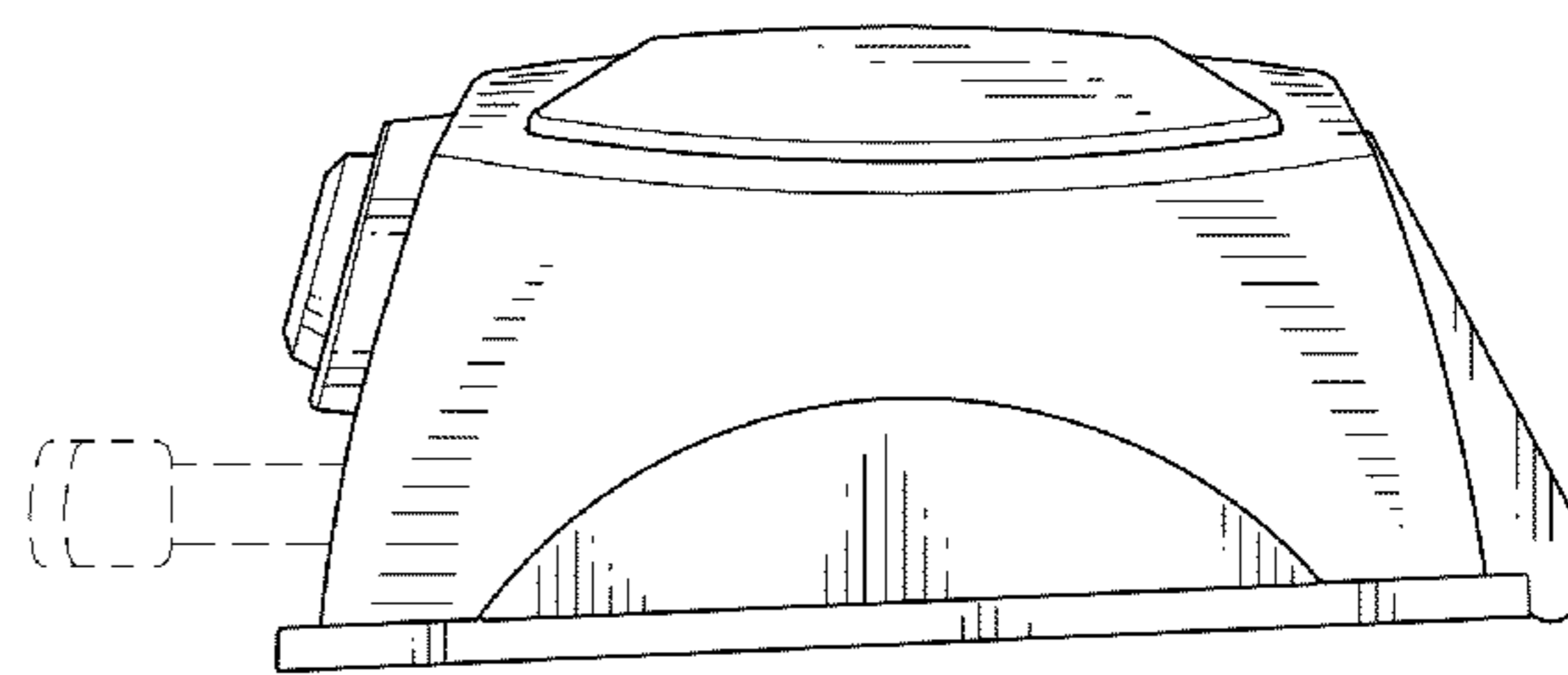
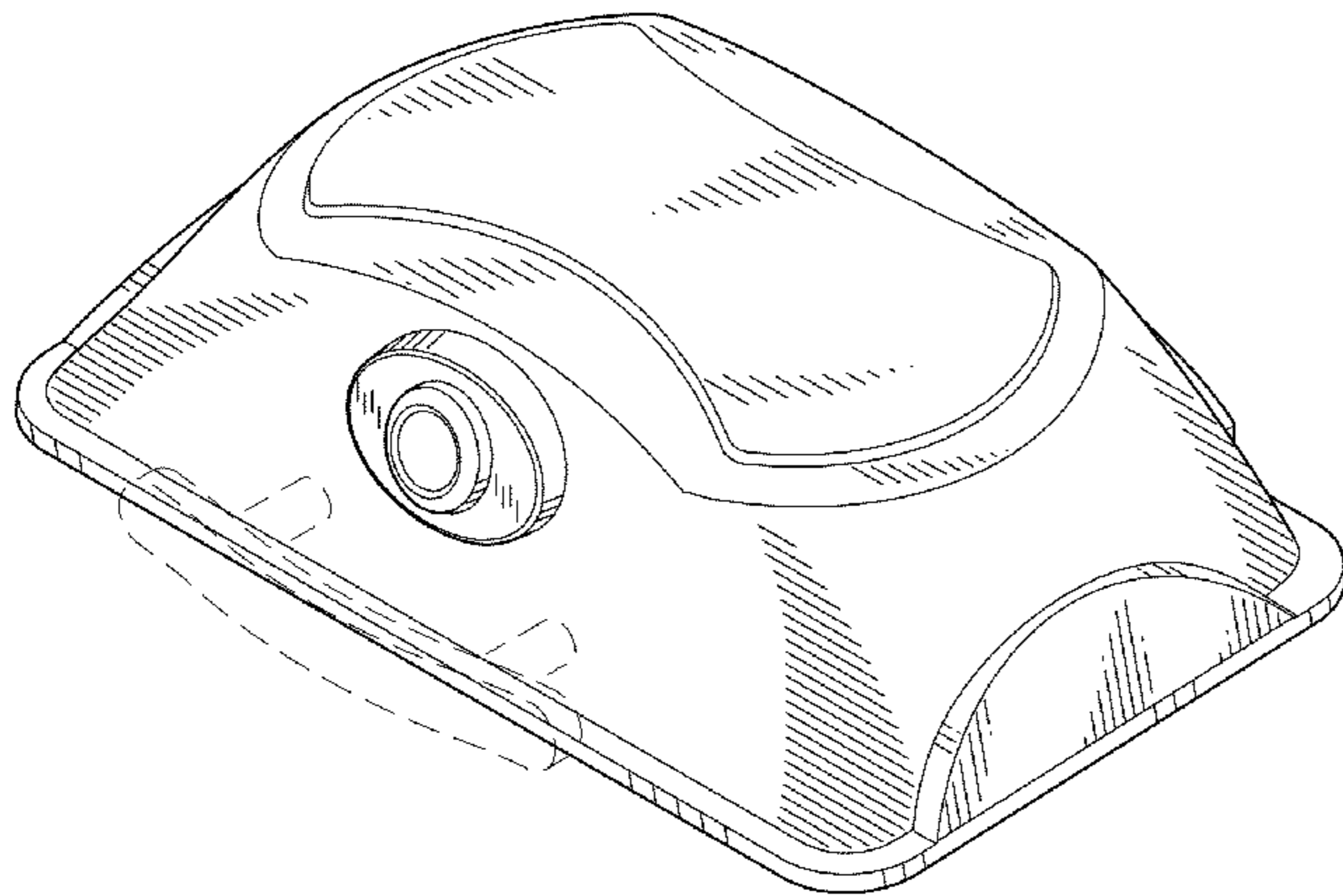
(57) **CLAIM**
The ornamental design for a lid for a grill, as shown and described.

DESCRIPTION

FIG. 1 is a top perspective view of a lid for a grill showing my new design;
FIG. 2 is a front elevation view thereof;
FIG. 3 is back elevation view thereof;
FIG. 4 is a side elevation view thereof
FIG. 5 is an opposite side elevation view thereof;
FIG. 6 is a top plan view thereof; and,
FIG. 7 is a top perspective view thereof, positioned on a grill. The grill and handle structures presented in broken lines are for environmental purposes only and form no part of the claimed design.

- (56) **References Cited**
U.S. PATENT DOCUMENTS
D463,213 S * 9/2002 Pai D7/402
D466,368 S * 12/2002 Neal et al. D7/402
D474,070 S * 5/2003 McKenzie D7/402
D488,025 S * 4/2004 Tseng D7/402

1 Claim, 7 Drawing Sheets



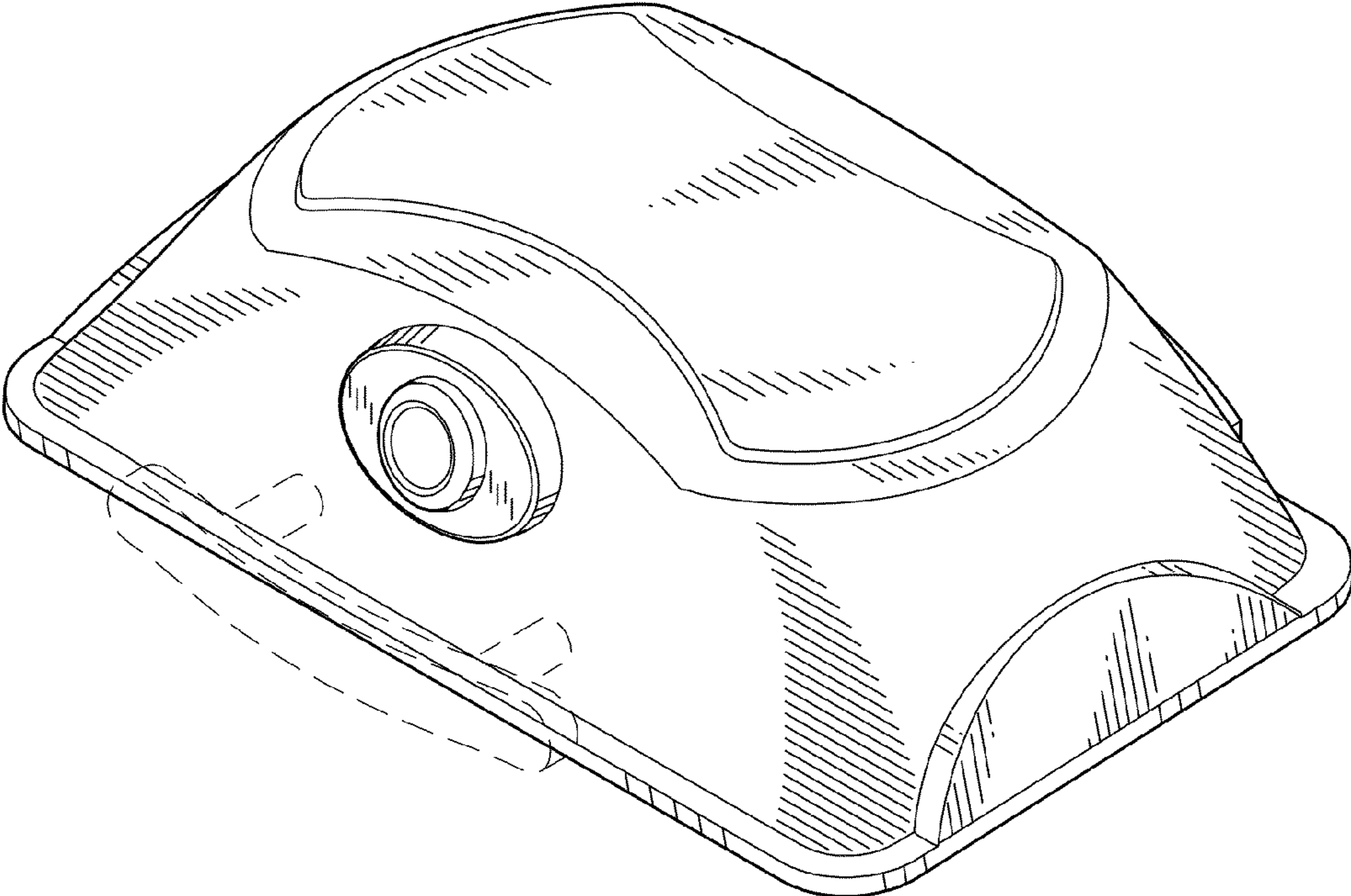


FIG.1

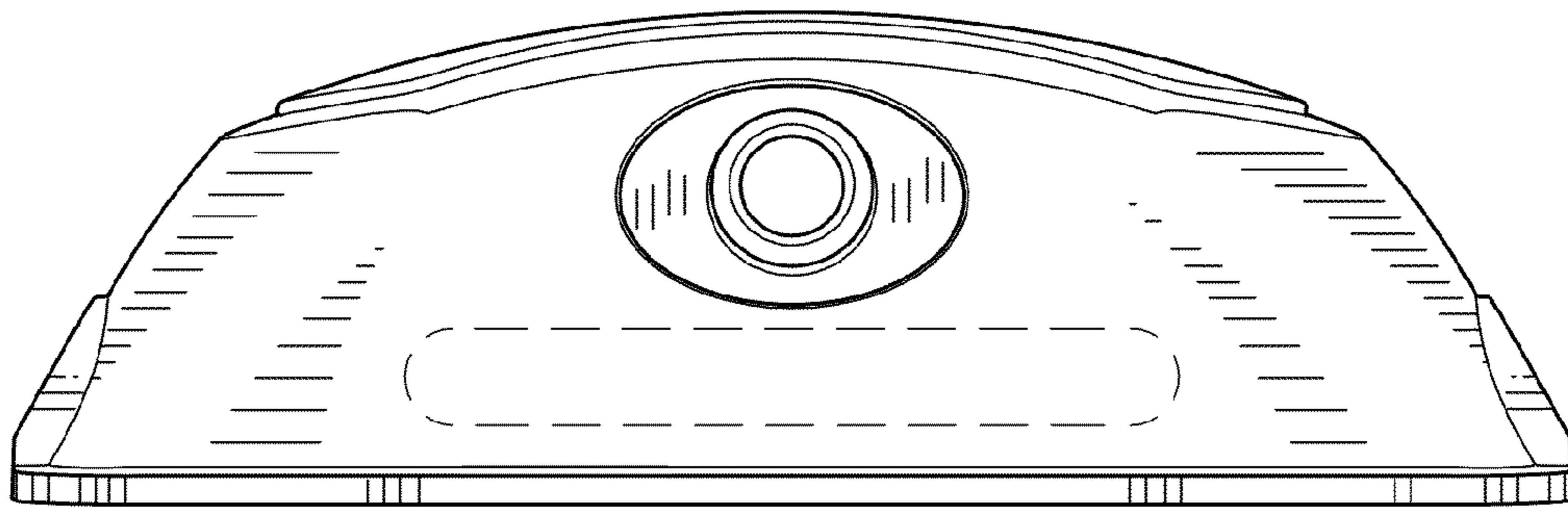


FIG.2

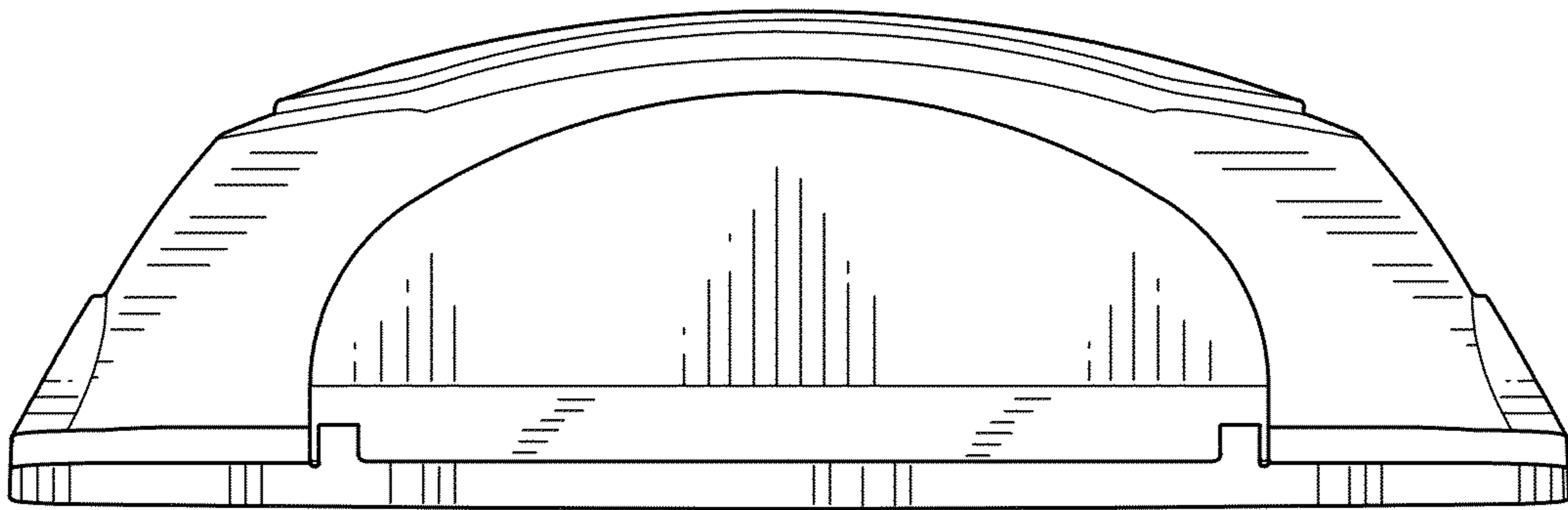


FIG.3

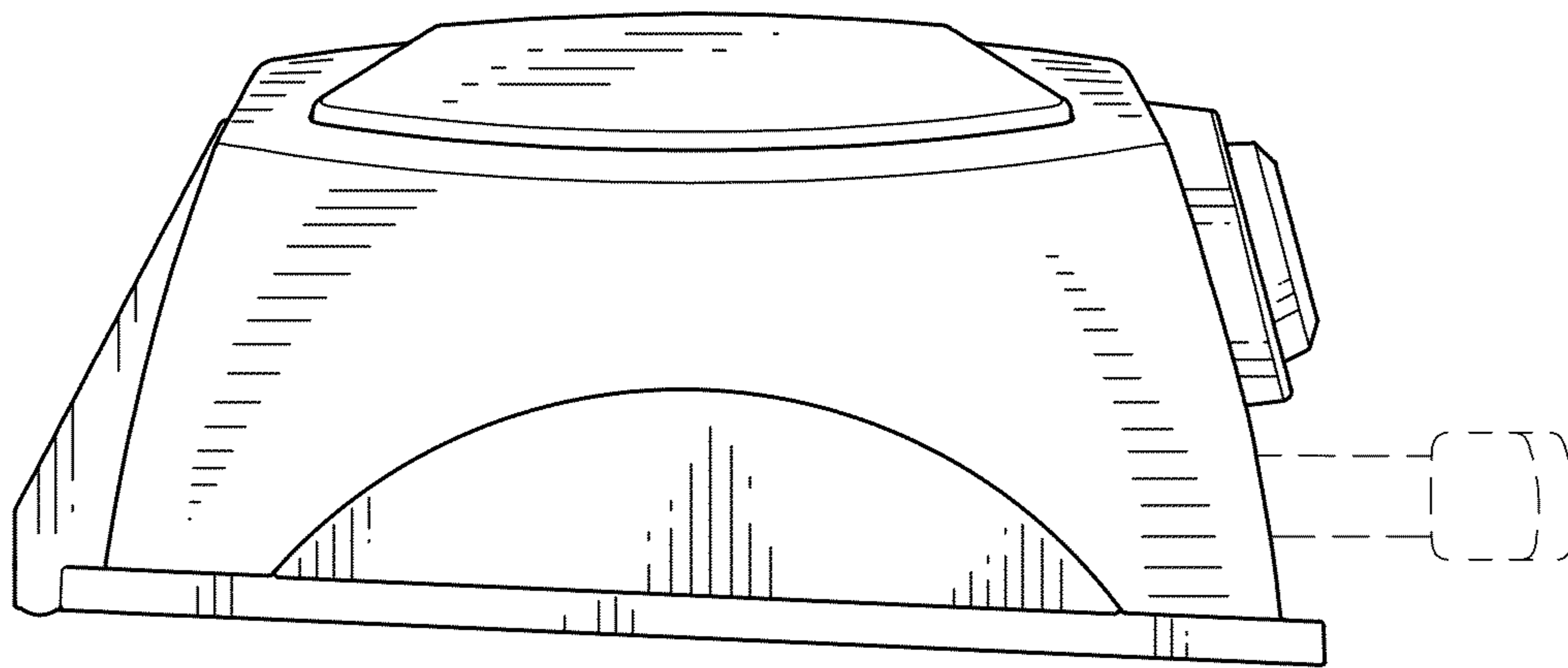


FIG.4

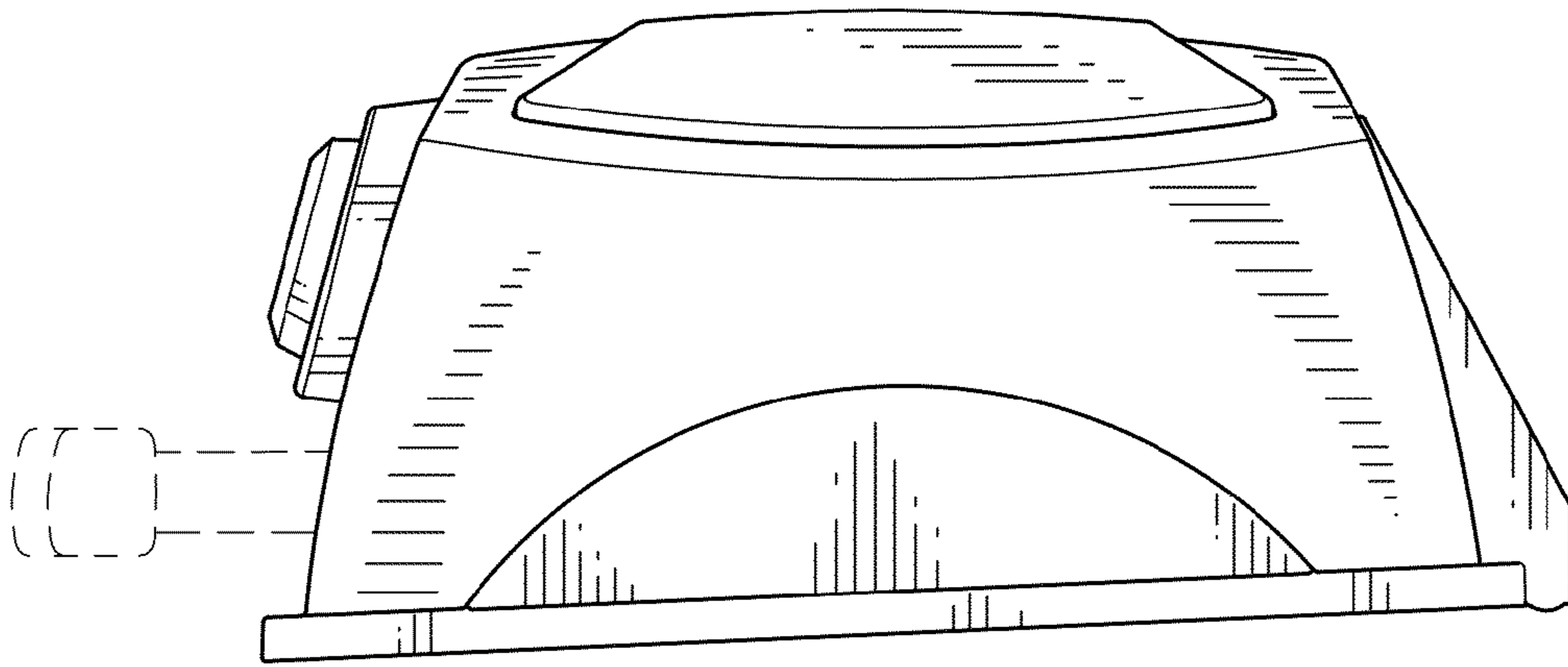


FIG.5

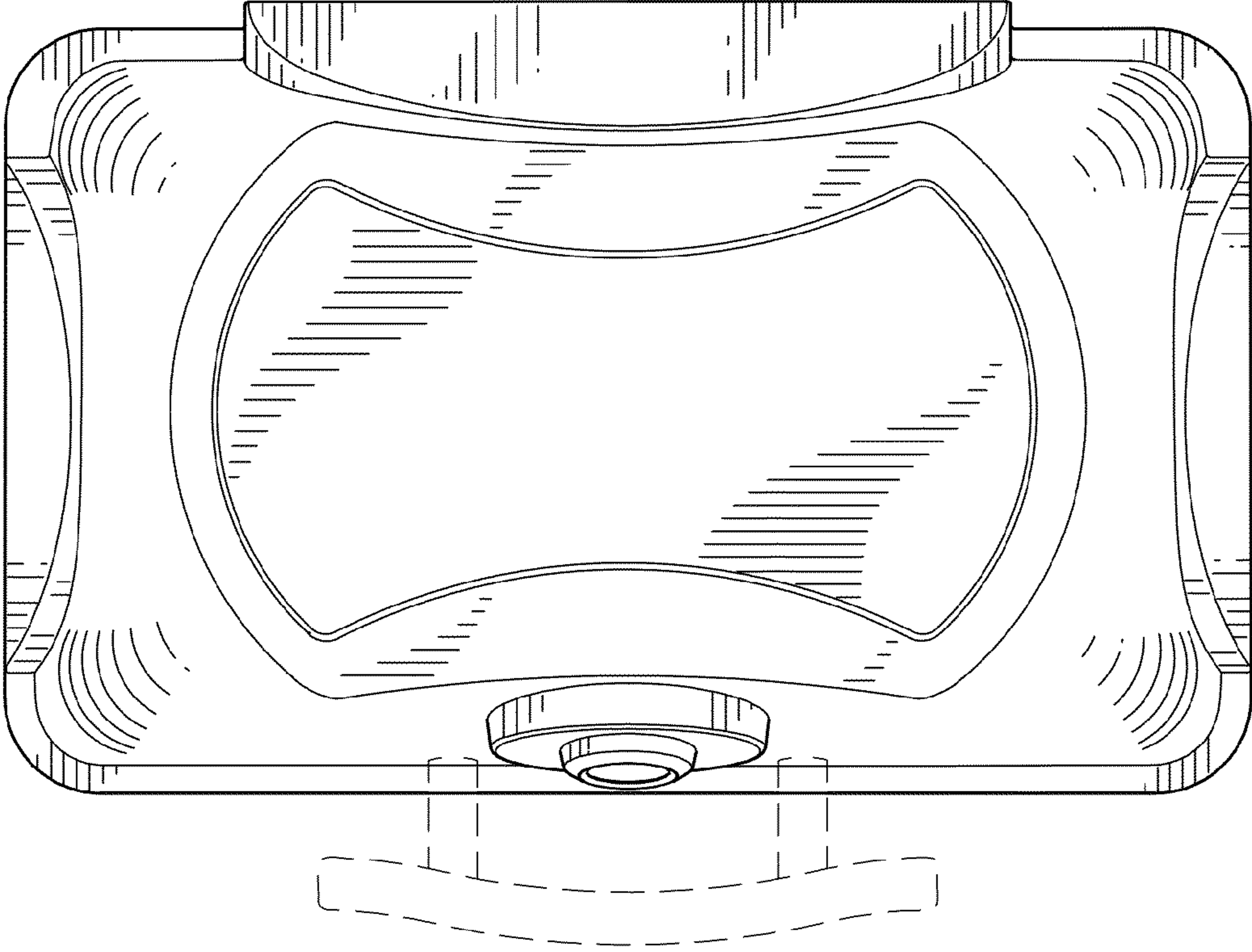


FIG.6

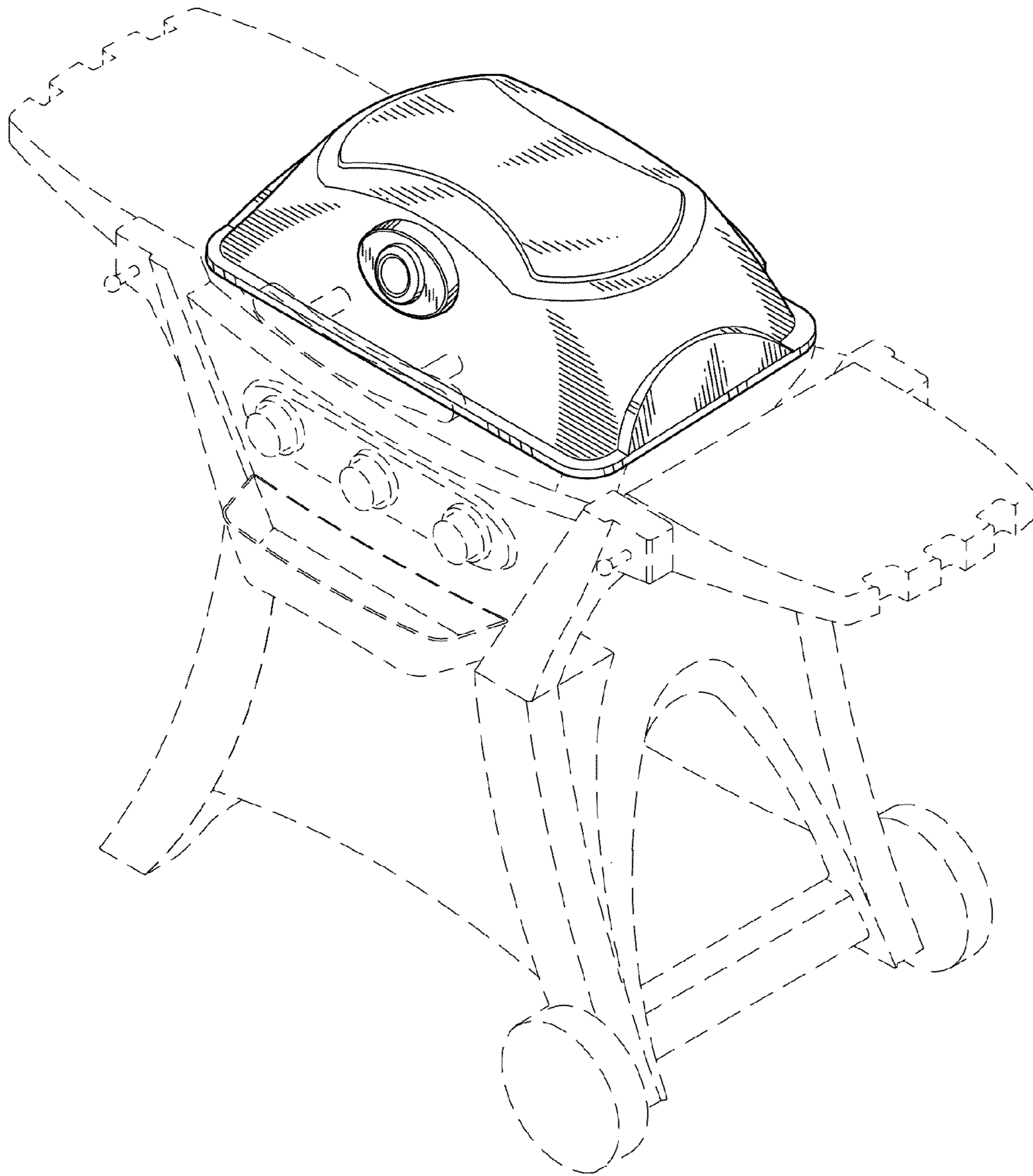


FIG. 7