



US00D708477S

(12) **United States Design Patent**  
**Wandrup**

(10) **Patent No.:** **US D708,477 S**  
(45) **Date of Patent:** **\*\* Jul. 8, 2014**

- (54) **KNIFE**
- (71) Applicant: **Iittala Group Oy Ab**, Helsinki (FI)
- (72) Inventor: **Tobias Wandrup**, Copenhagen (DK)
- (73) Assignee: **Fiskars Home Oy Ab**, Helsinki (FI)
- (\*\*) Term: **14 Years**
- (21) Appl. No.: **29/473,853**
- (22) Filed: **Nov. 26, 2013**

- D595,544 S 7/2009 Thun
- D623,483 S 9/2010 Gerlach
- D629,260 S 12/2010 Krent
- D632,934 S 2/2011 Thun

(Continued)

**OTHER PUBLICATIONS**

Russian Office Action, dated Feb. 7, 2013, Russian Patent Application No. 2012502266, with English Translation.

*Primary Examiner* — Ricky Pham

(74) *Attorney, Agent, or Firm* — Andrus Intellectual Property Law, LLP

**Related U.S. Application Data**

- (62) Division of application No. 29/430,278, filed on Aug. 23, 2012, now Pat. No. Des. 697,377.

(57) **CLAIM**

The ornamental design for a knife, as shown and described.

**DESCRIPTION**

(30) **Foreign Application Priority Data**

- Feb. 27, 2012 (EM) ..... 001998469-0004
- Feb. 27, 2012 (EM) ..... 001998469-0005
- Feb. 27, 2012 (EM) ..... 001998469-0006
- Feb. 27, 2012 (EM) ..... 001998469-0007
- Feb. 27, 2012 (EM) ..... 001998469-0008

FIG. 1 is a perspective view of a further embodiment of my new design;  
 FIG. 2 is a left side view thereof;  
 FIG. 3 is a right side view thereof, wherein the right side is a mirror image of the left side;  
 FIG. 4 is a top view thereof;  
 FIG. 5 is a bottom view thereof;  
 FIG. 6 is an enlarged front perspective view thereof;  
 FIG. 7 is an enlarged rear perspective view thereof;  
 FIG. 8 is a perspective view of a further embodiment of my new design;  
 FIG. 9 is a left side view thereof;  
 FIG. 10 is a right side view thereof, wherein the right side is a mirror image of the left side;  
 FIG. 11 is a top view thereof;  
 FIG. 12 is a bottom view thereof;  
 FIG. 13 is an enlarged front perspective view thereof; and,  
 FIG. 14 is an enlarged rear perspective view thereof.  
 The broken lines in the drawing figures for the purpose of illustrating environment and form no part of these specified embodiments of the claimed design.

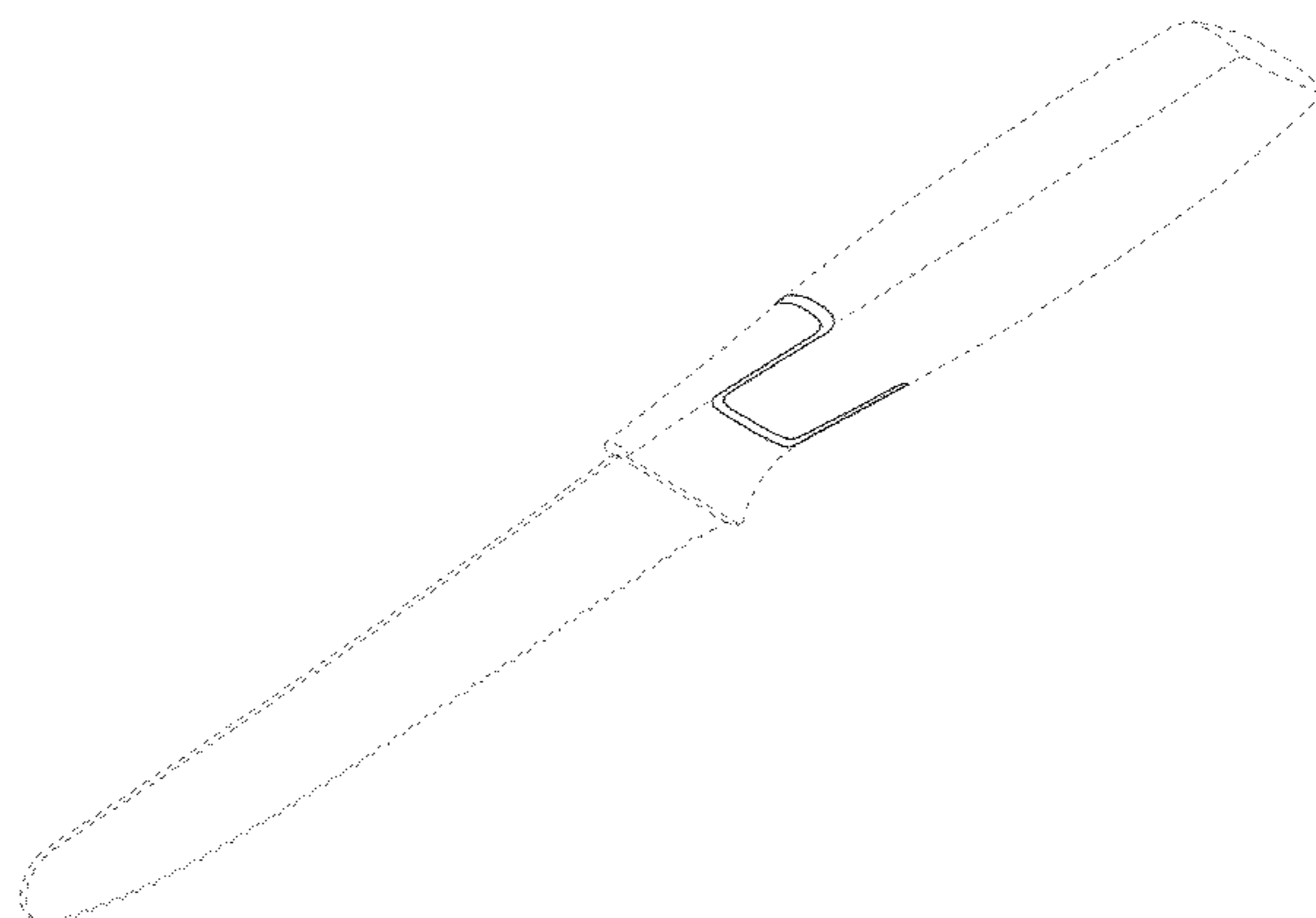
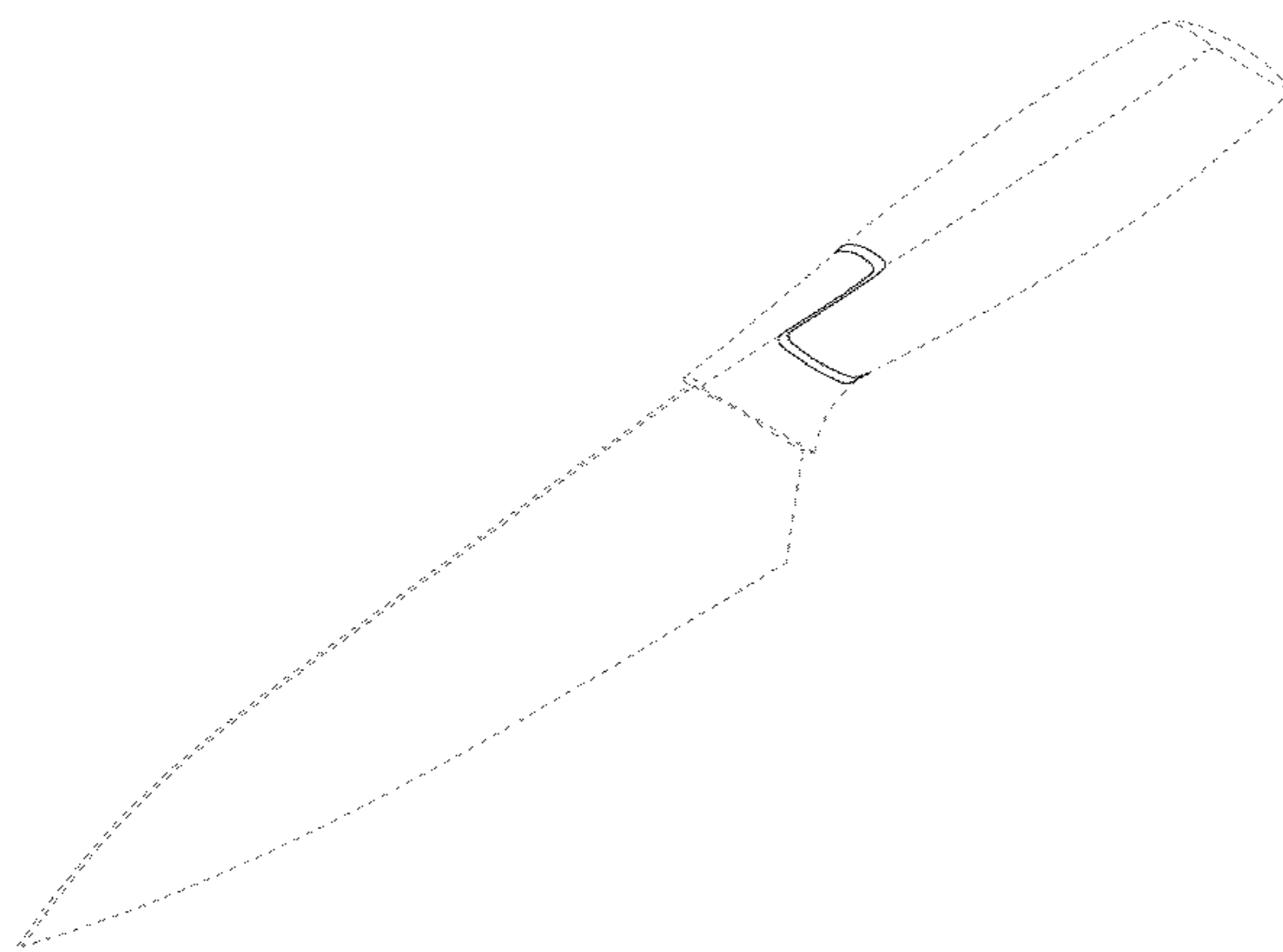
- (51) **LOC (10) Cl.** ..... **07-03**
- (52) **U.S. Cl.**  
USPC ..... **D7/401.2; D7/649**
- (58) **Field of Classification Search**  
USPC ..... D7/393-395, 401.2, 642-652, 693, D7/695-696; D8/93, 97-100, 107, 300, D8/321; D22/117-118; 30/136, 142, 30/147-149, 329, 340-345  
See application file for complete search history.

(56) **References Cited**

**U.S. PATENT DOCUMENTS**

- D458,511 S 6/2002 Rorke
- D473,430 S 4/2003 Fedor et al.
- D513,927 S 1/2006 Chen
- D524,121 S 7/2006 Loeb

**1 Claim, 8 Drawing Sheets**



(56)

**References Cited**

U.S. PATENT DOCUMENTS

D649,412 S 11/2011 Lo  
D649,840 S \* 12/2011 Lo ..... D7/649  
D649,841 S \* 12/2011 Lo ..... D7/649  
D660,097 S 5/2012 Chen

D660,098 S 5/2012 Chen  
D661,554 S 6/2012 Thomkins  
D674,670 S 1/2013 Thun  
D688,913 S \* 9/2013 Lo ..... D7/401.2  
D693,642 S \* 11/2013 Chen ..... D7/401.2  
D697,377 S \* 1/2014 Wandrup ..... D7/649  
D698,615 S \* 2/2014 Wandrup ..... D7/649  
\* cited by examiner

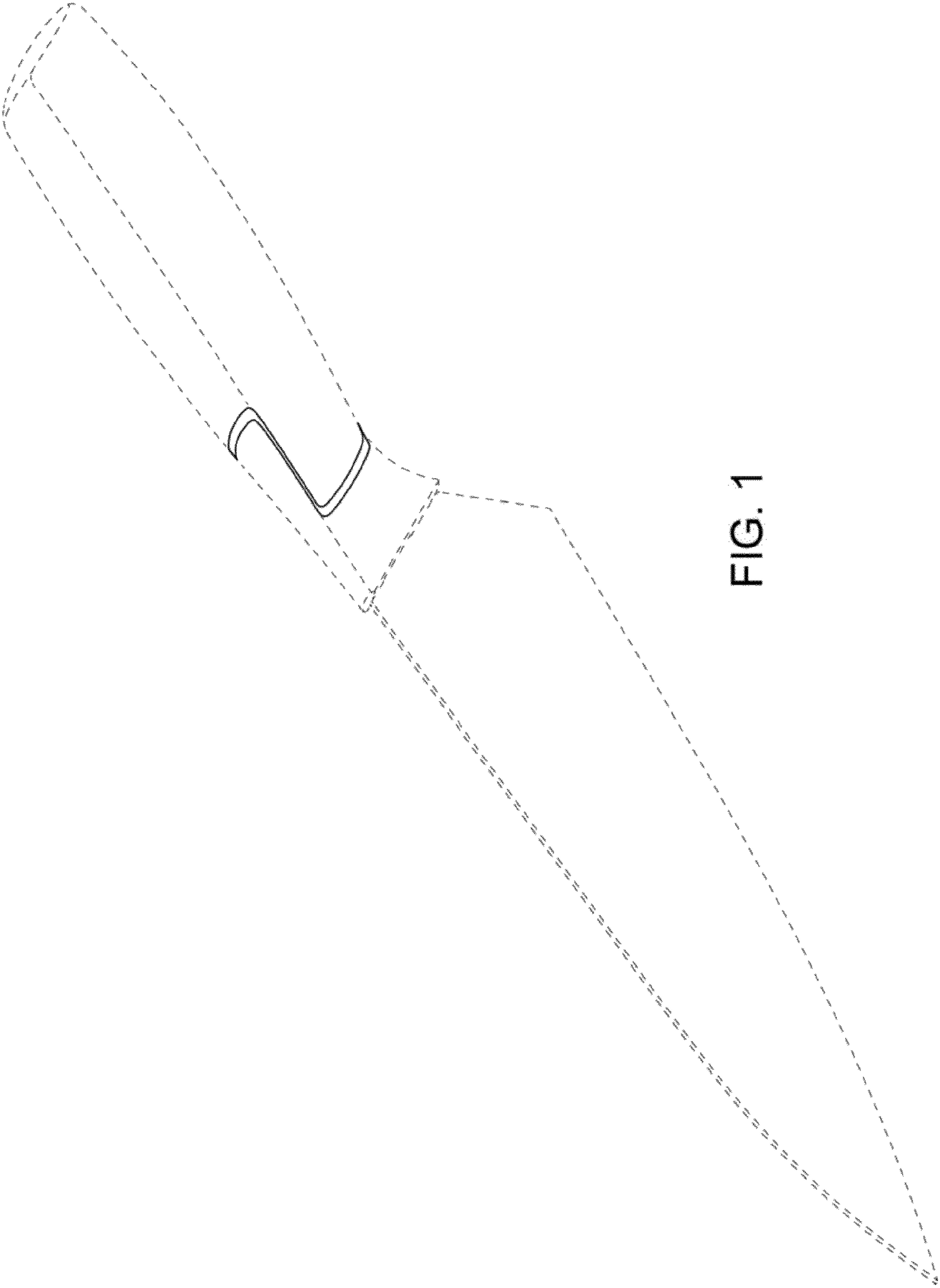


FIG. 1

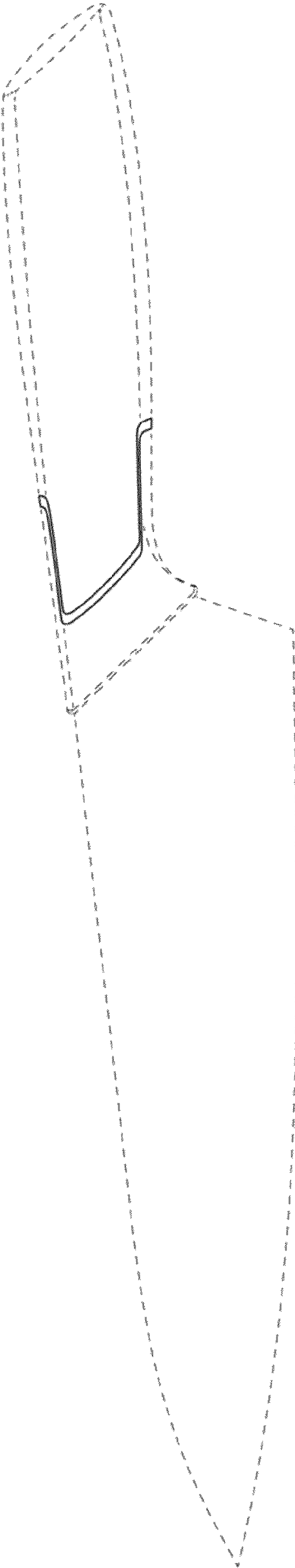


FIG. 2

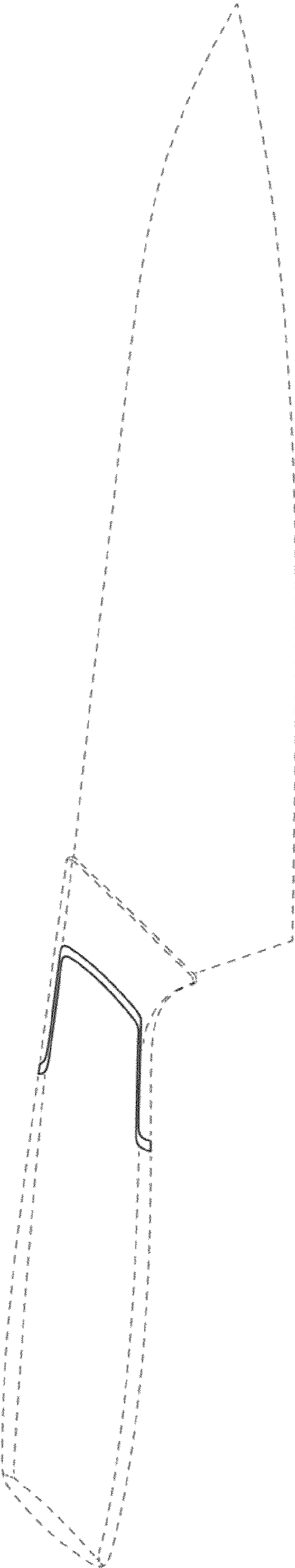


FIG. 3

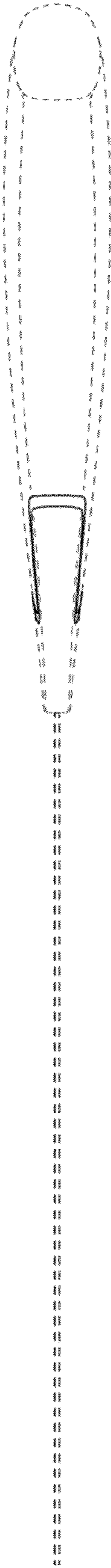


FIG. 4



FIG. 5

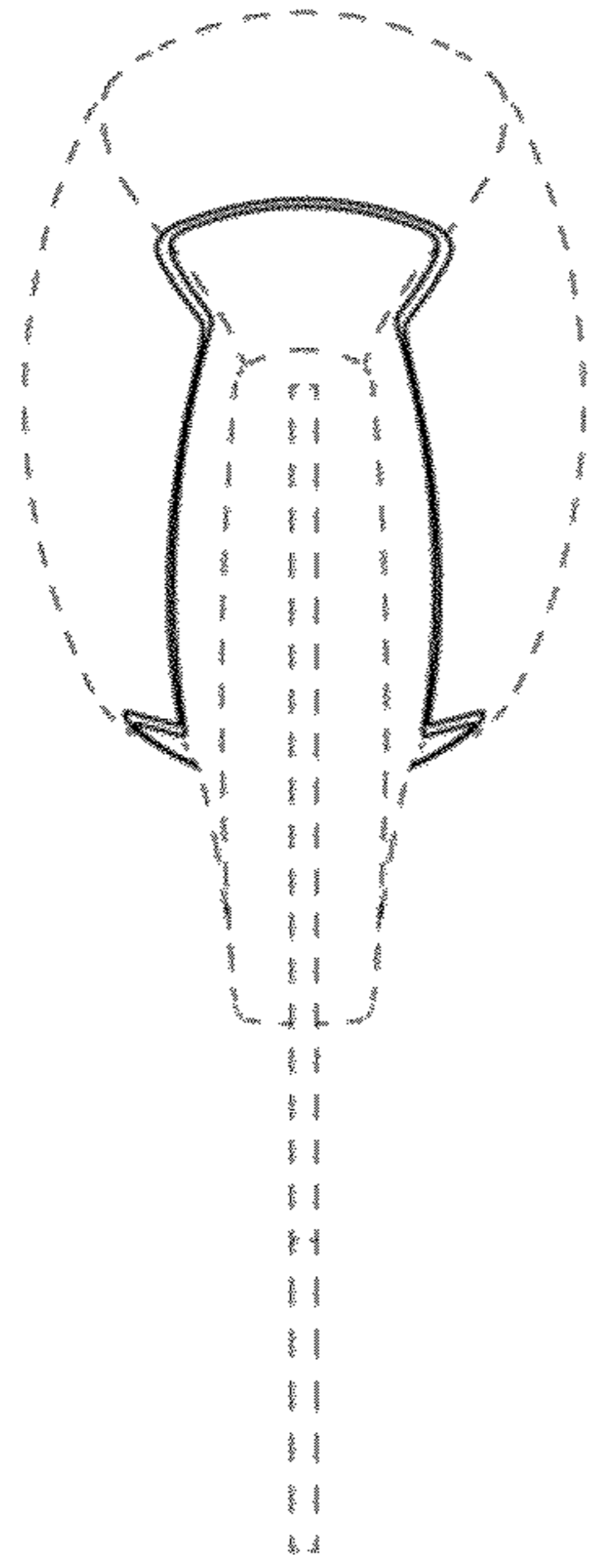


FIG. 6

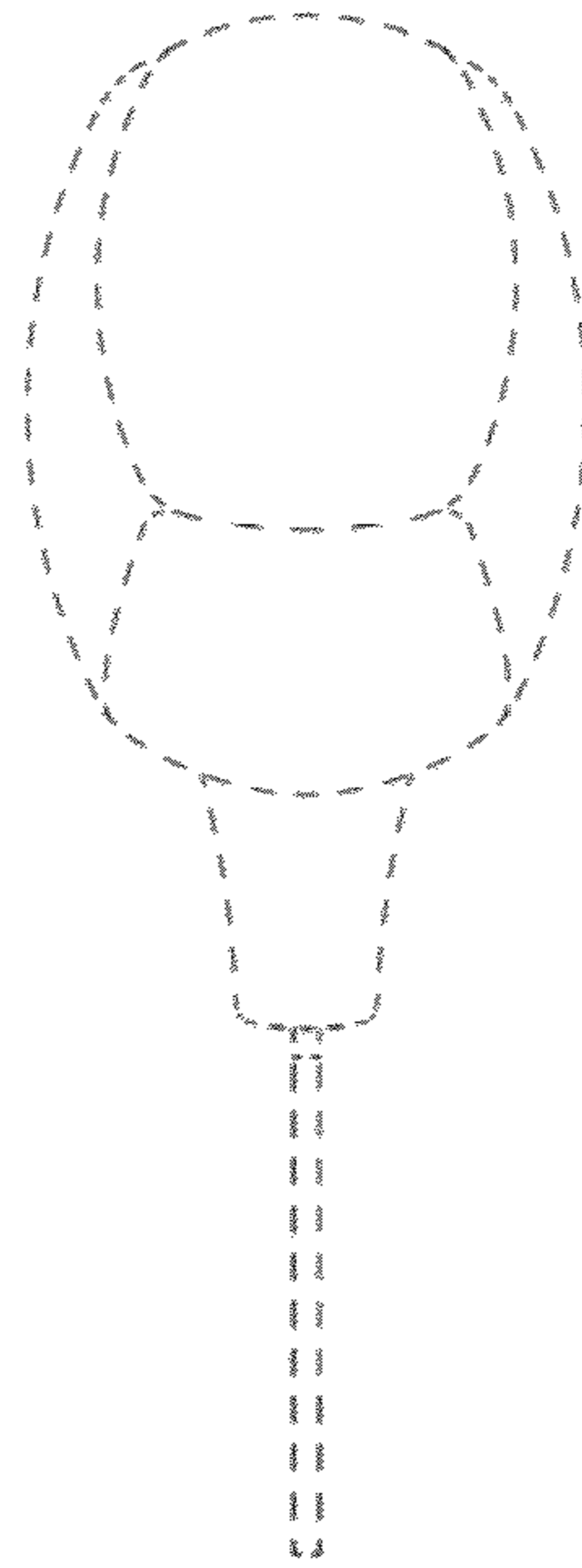


FIG. 7

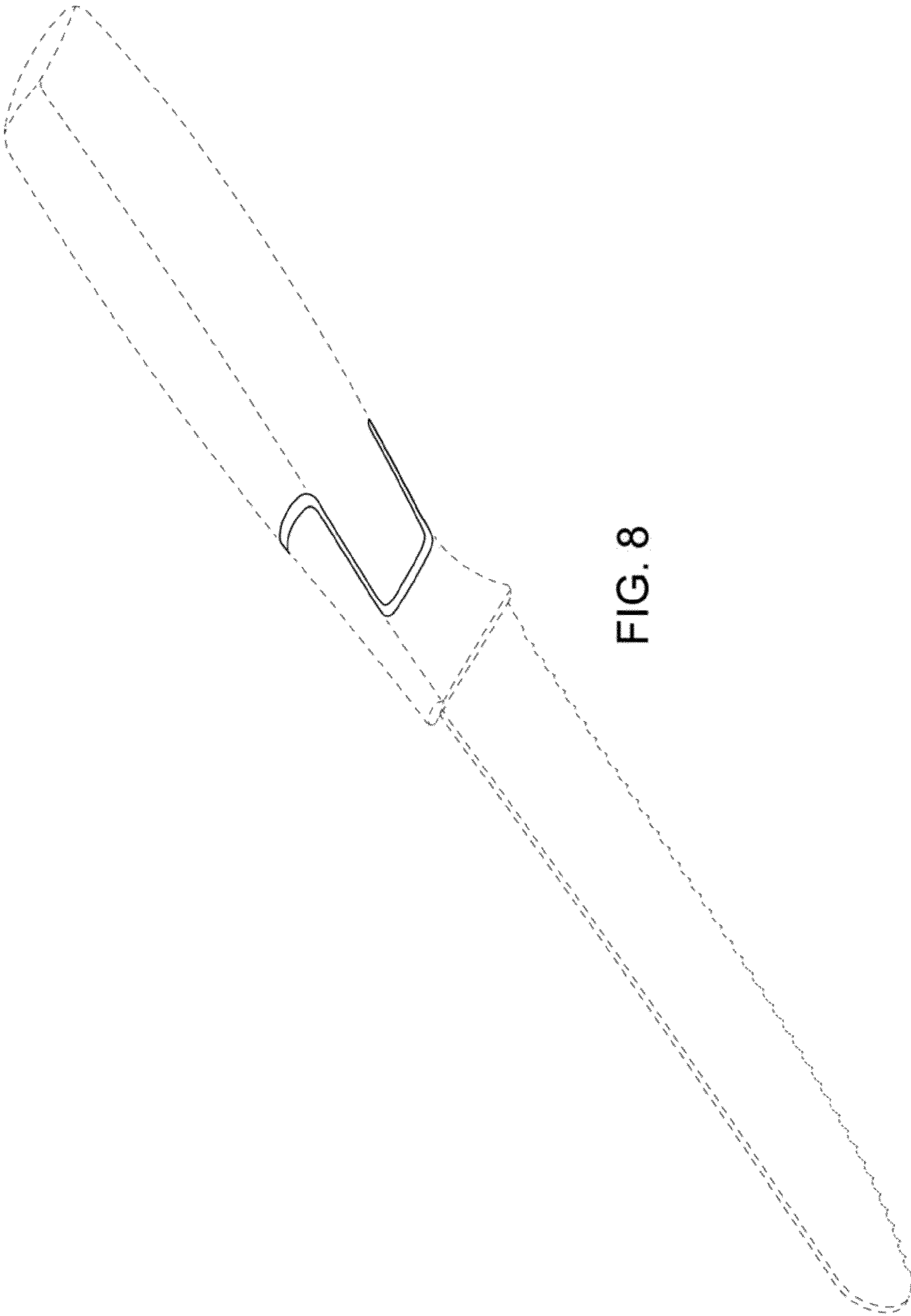


FIG. 8

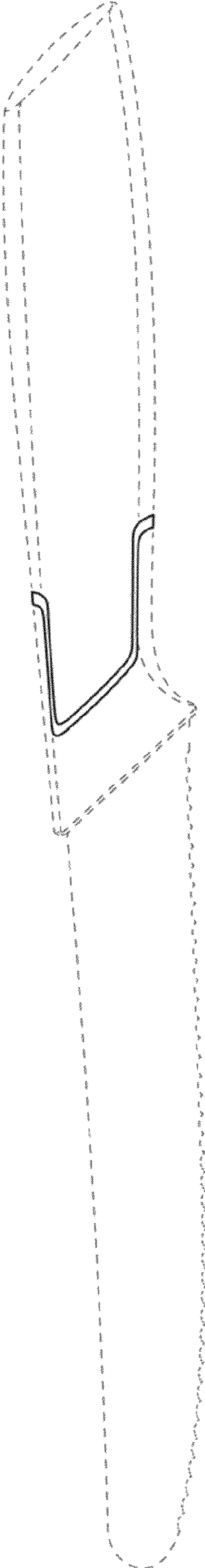


FIG. 9

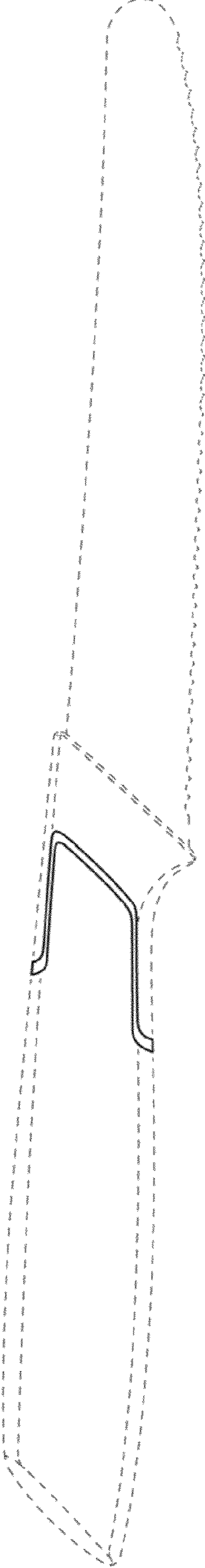


FIG. 10



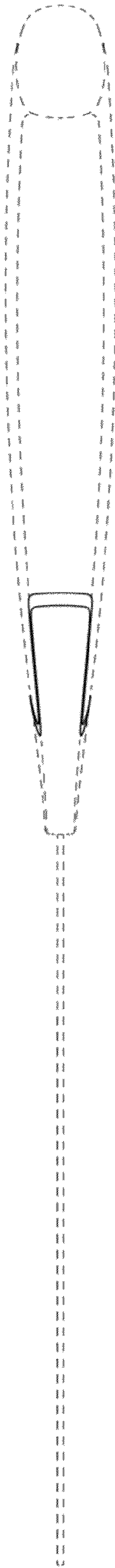


FIG. 11

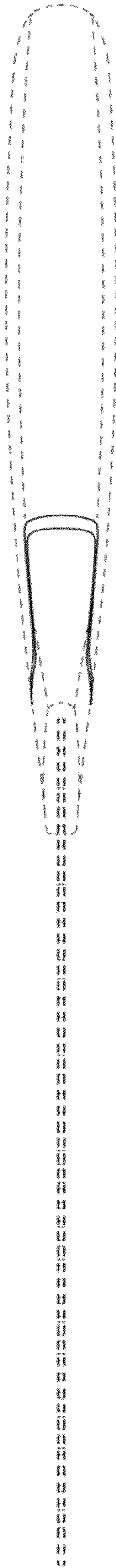


FIG. 12

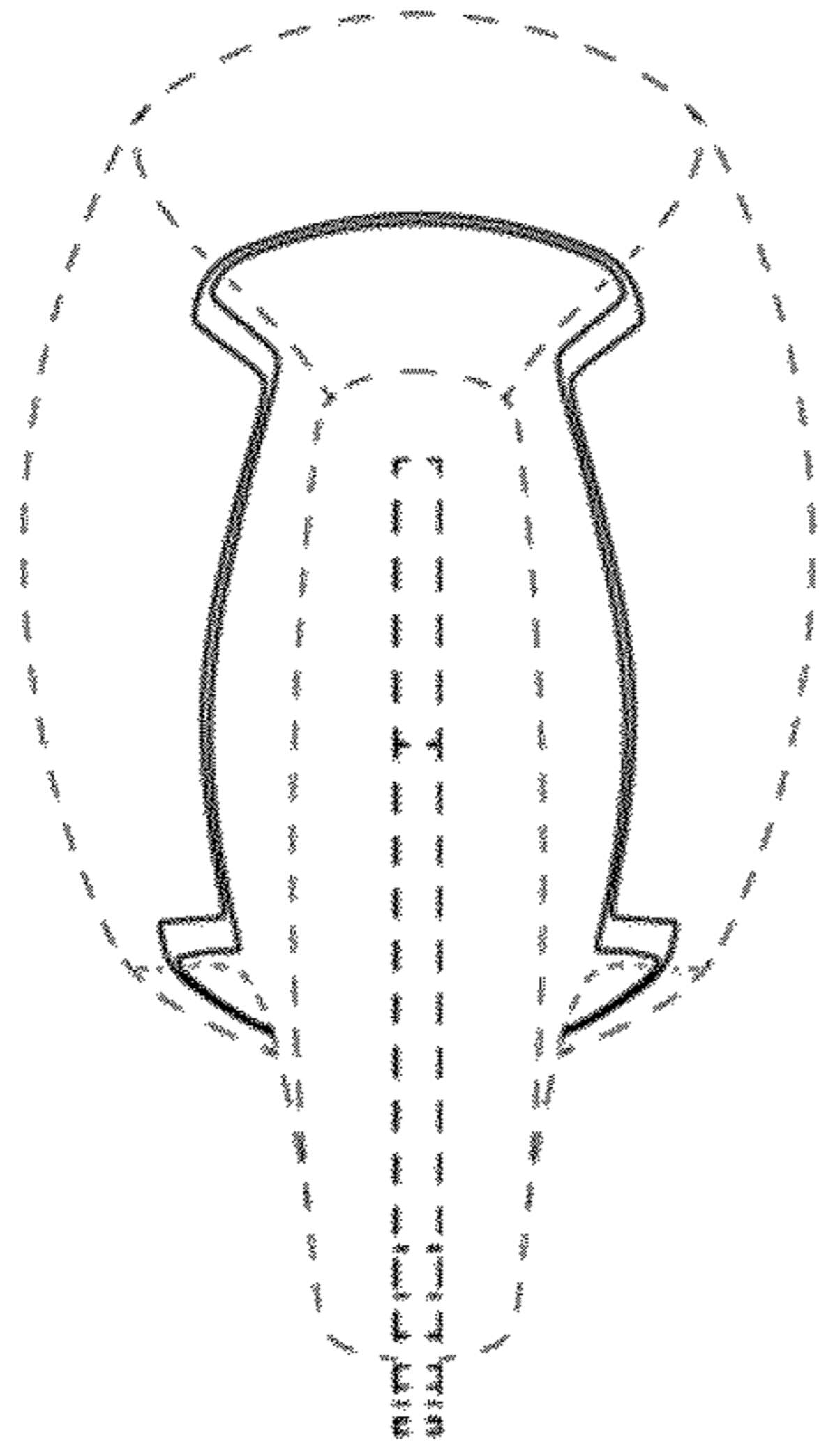


FIG. 13

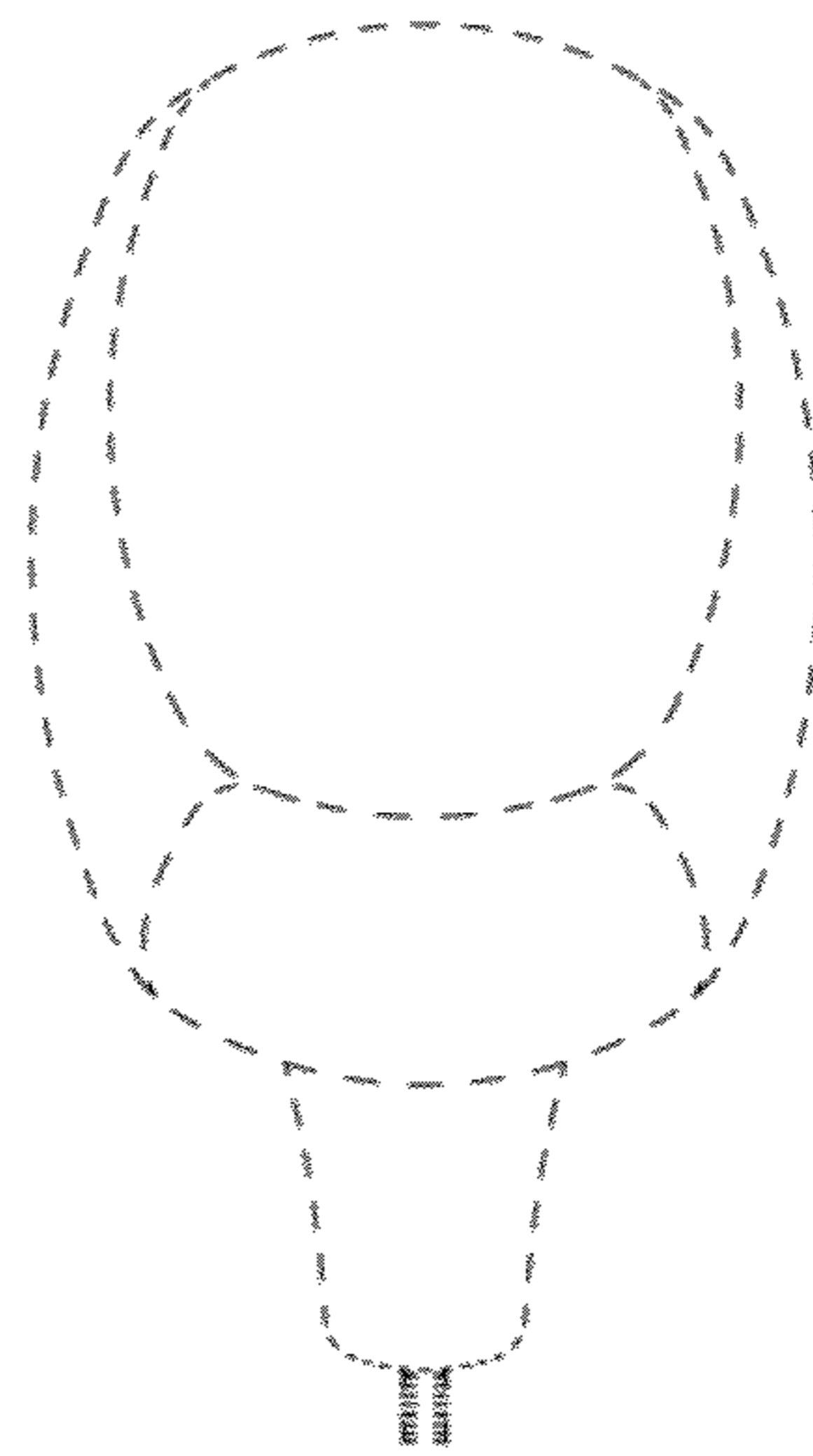


FIG. 14