



US00D708475S

(12) **United States Design Patent**  
**Bolzicco et al.**

(10) **Patent No.:** **US D708,475 S**

(45) **Date of Patent:** **\*\* \*Jul. 8, 2014**

(54) **STORAGE TIN**

(75) Inventors: **Claudio Bolzicco**, Pordenone (IT);  
**Walter Tamaro**, Trieste (IT); **Giulio Gerbino**, Trieste (IT)

(73) Assignee: **Illy Caffè SpA**, Trieste (IT)

(\*) Notice: This patent is subject to a terminal disclaimer.

(\*\*) Term: **14 Years**

(21) Appl. No.: **29/367,444**

(22) Filed: **Aug. 9, 2010**

(30) **Foreign Application Priority Data**

Feb. 11, 2010 (EM) ..... 1194955-0007

(51) **LOC (10) Cl.** ..... **07-99**

(52) **U.S. Cl.**  
USPC ..... **D7/397**

(58) **Field of Classification Search**  
USPC ..... D7/399, 400, 401, 397, 306, 313,  
D7/309-311, 305; D6/542; D32/30;  
D9/520, 763; 99/286, 275, 279  
See application file for complete search history.

(56) **References Cited**

**U.S. PATENT DOCUMENTS**

D181,131 S \* 10/1957 Crondo ..... D34/39  
D264,638 S \* 5/1982 Maeda ..... D9/502  
5,558,283 A \* 9/1996 Fisher et al. .... 241/100

D381,141 S \* 7/1997 Balz ..... D32/29.1  
D383,264 S \* 9/1997 Balz ..... D32/29.1  
D440,109 S \* 4/2001 Anton et al. .... D7/307  
D441,998 S \* 5/2001 Kaulzarich et al. .... D6/542  
D443,780 S \* 6/2001 Kaulzarich et al. .... D6/542  
D455,596 S \* 4/2002 Boos ..... D7/309  
D461,358 S \* 8/2002 Cahen ..... D7/309  
D513,928 S \* 1/2006 Birdsell et al. .... D7/397  
D537,353 S \* 2/2007 Bailey et al. .... D9/540  
7,243,867 B2 \* 7/2007 Steckhan ..... 241/100  
7,273,005 B2 \* 9/2007 Turi ..... 99/286  
D655,978 S \* 3/2012 Bolzicco et al. .... D7/400  
D662,757 S \* 7/2012 Roos et al. .... D7/313

\* cited by examiner

*Primary Examiner* — Marianne Pandozzi

(74) *Attorney, Agent, or Firm* — Flaster/Greenberg P.C.

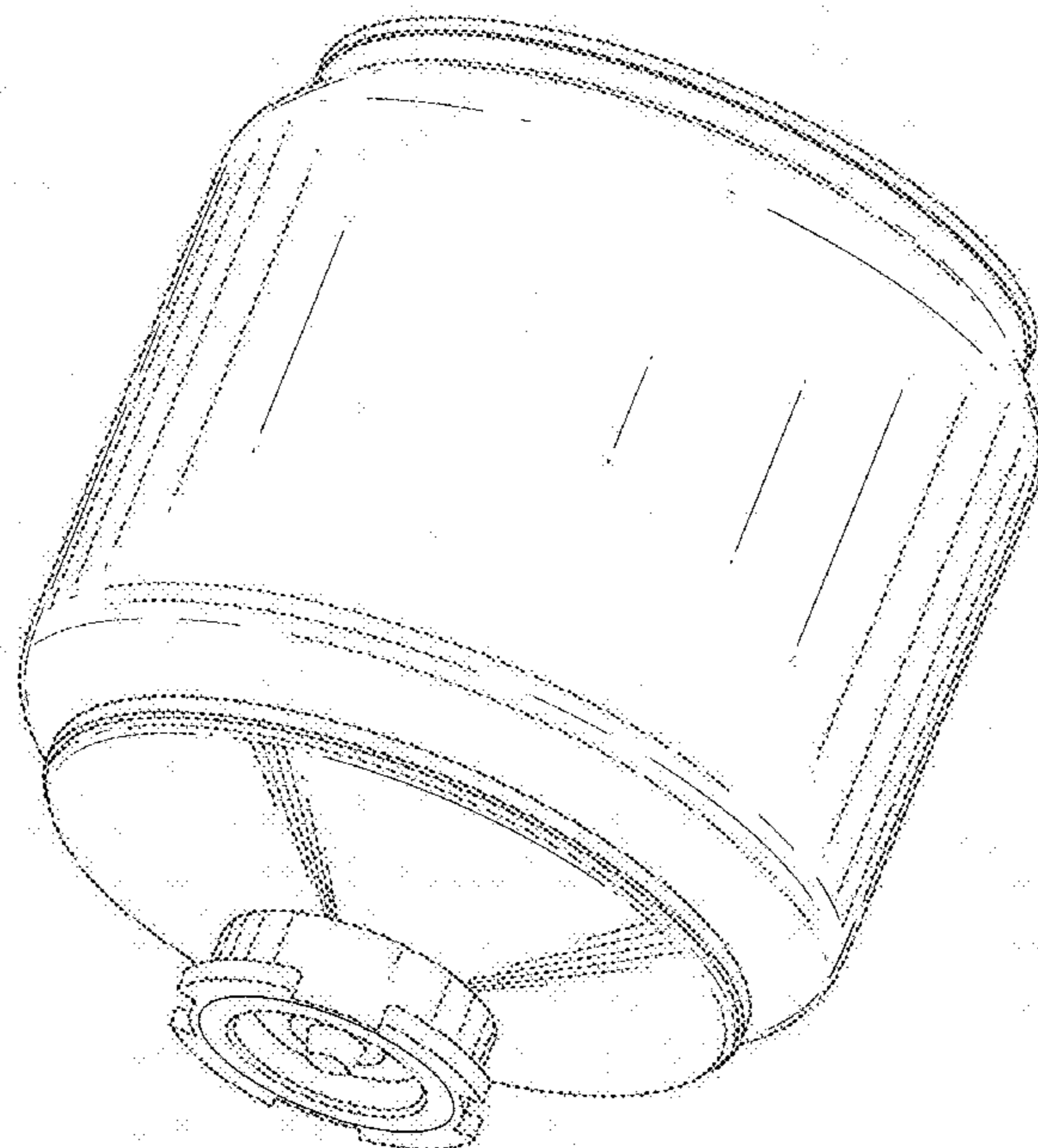
(57) **CLAIM**

The ornamental design for a storage tin, as shown and described.

**DESCRIPTION**

FIG. 1 is a perspective view of a storage tin showing a new design;  
FIG. 2 is an enlarged front view thereof, all sides being the same;  
FIG. 3 is an enlarged bottom plan view thereof; and,  
FIG. 4 is an enlarged top plan view thereof.  
The broken lines of FIG. 4 are for the purpose of illustrating that the circular ridges on the bottom of the storage tin form no part of the claimed design.

**1 Claim, 4 Drawing Sheets**



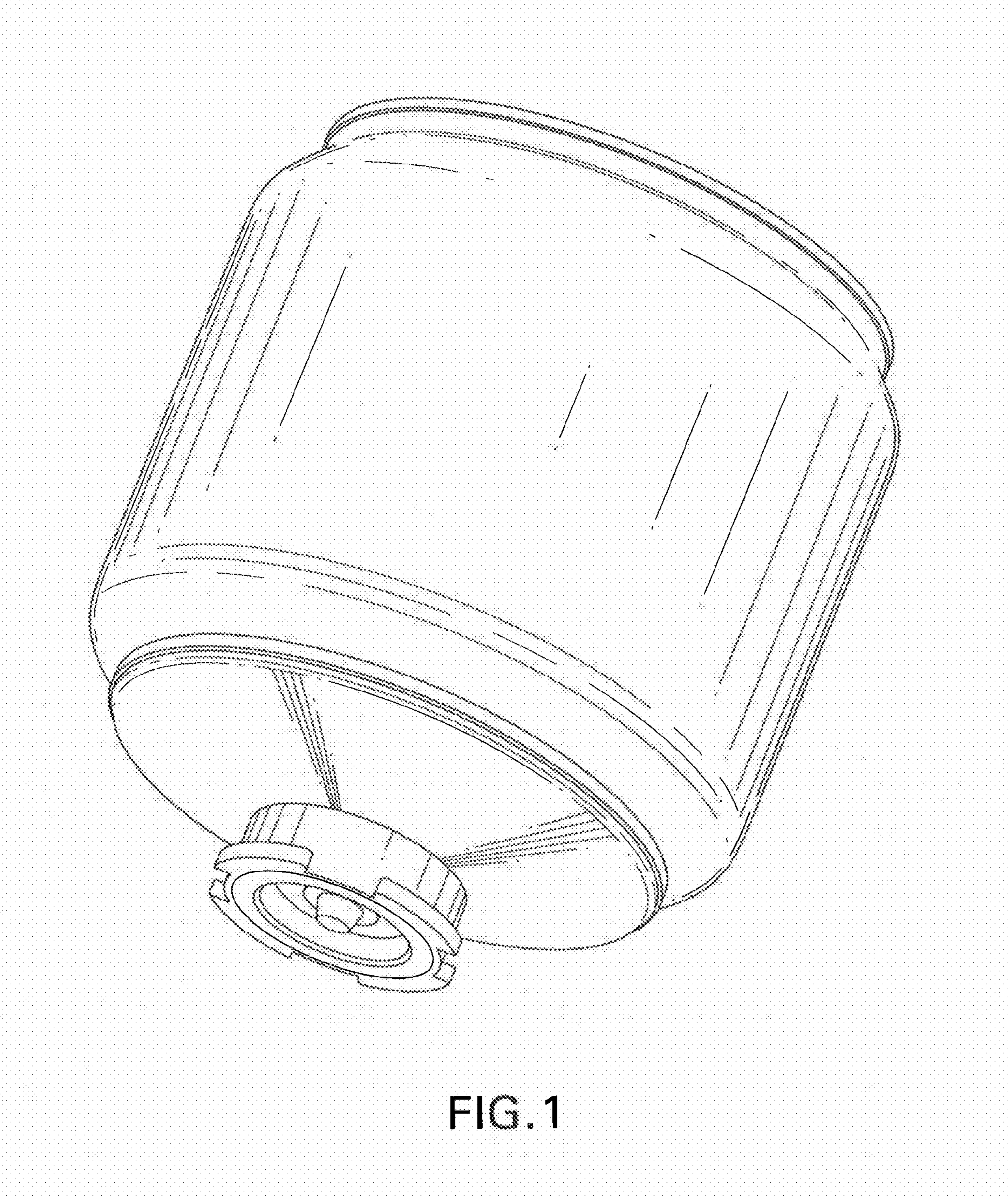


FIG. 1



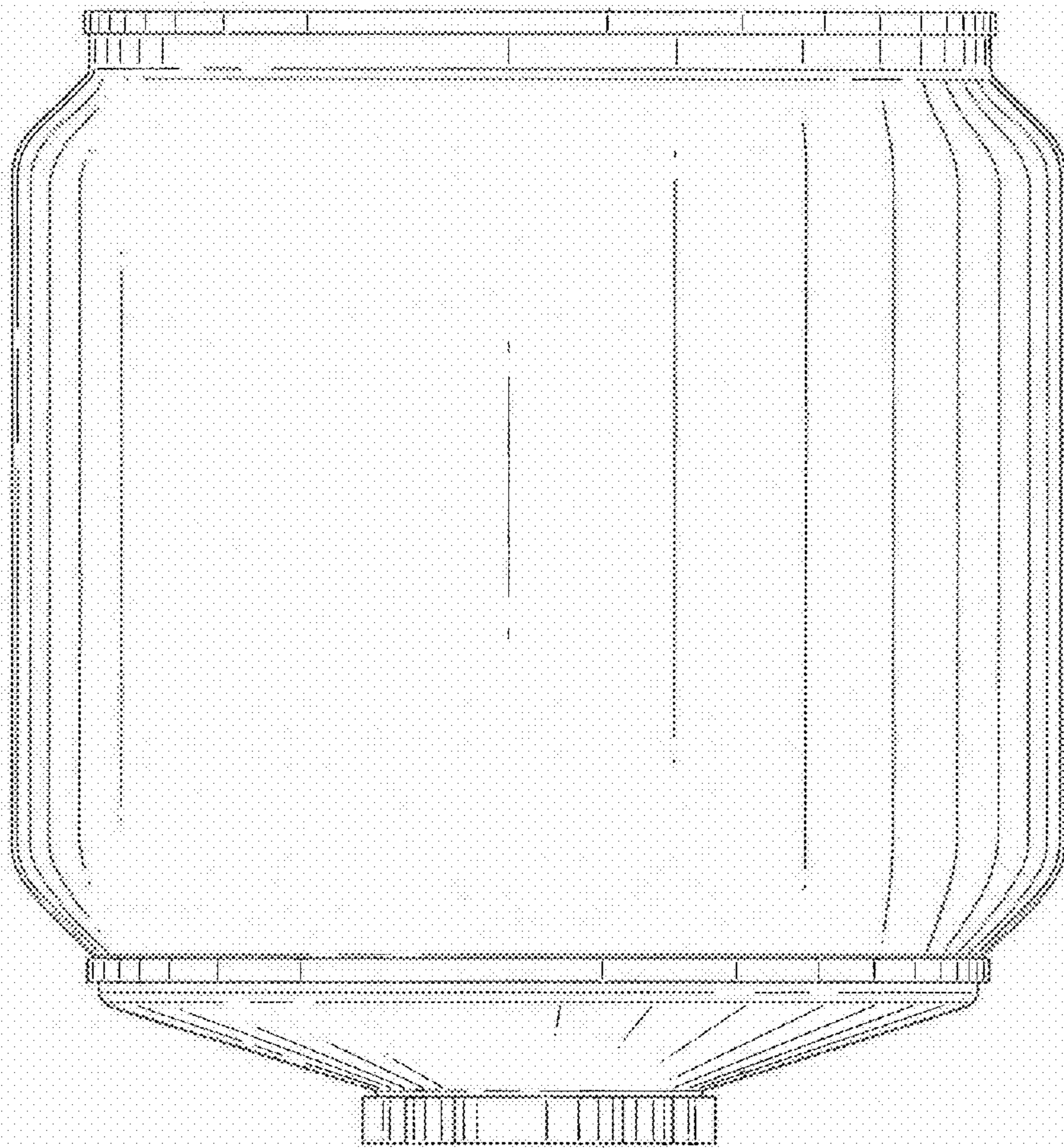


FIG.2

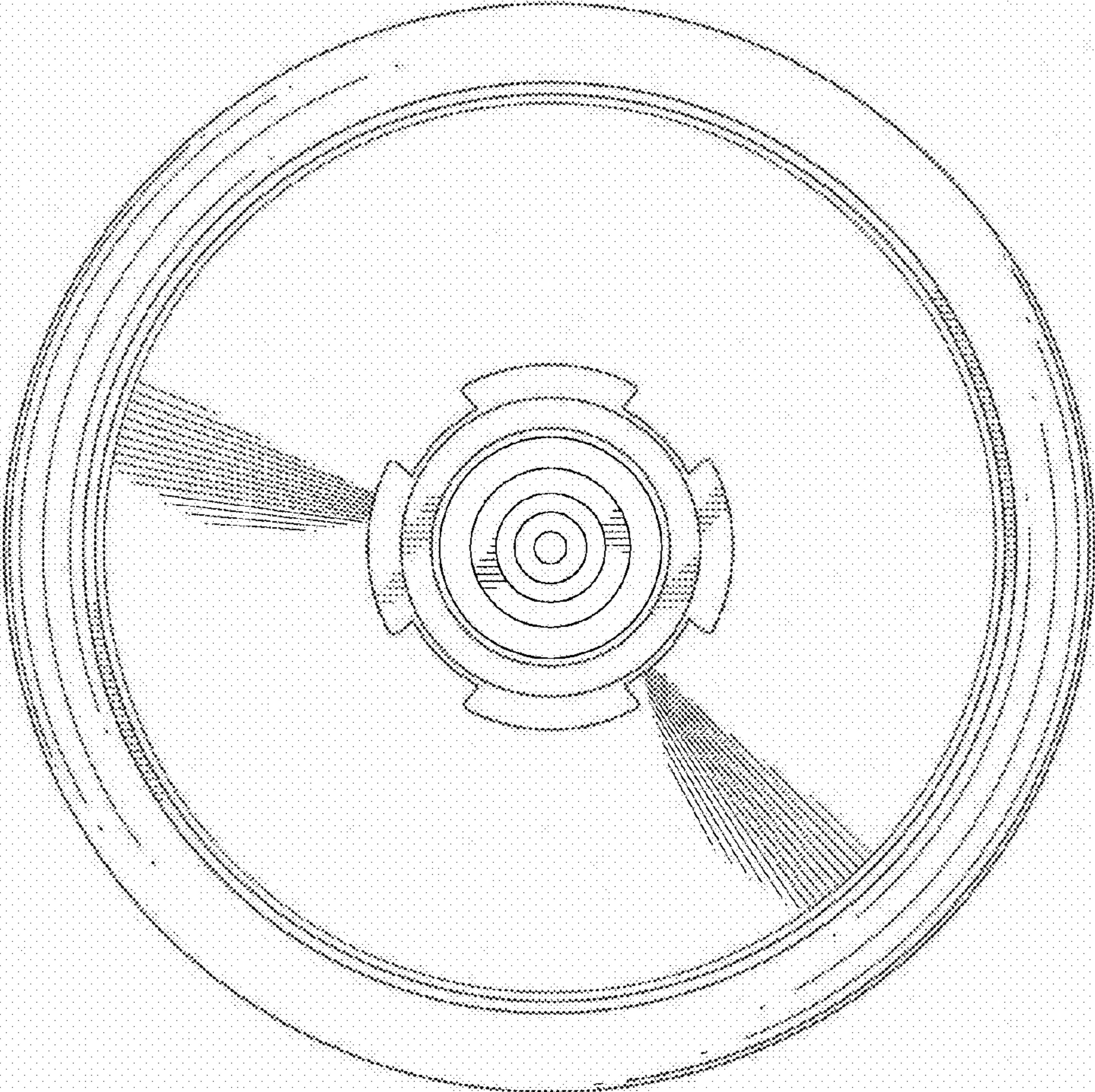


FIG.3



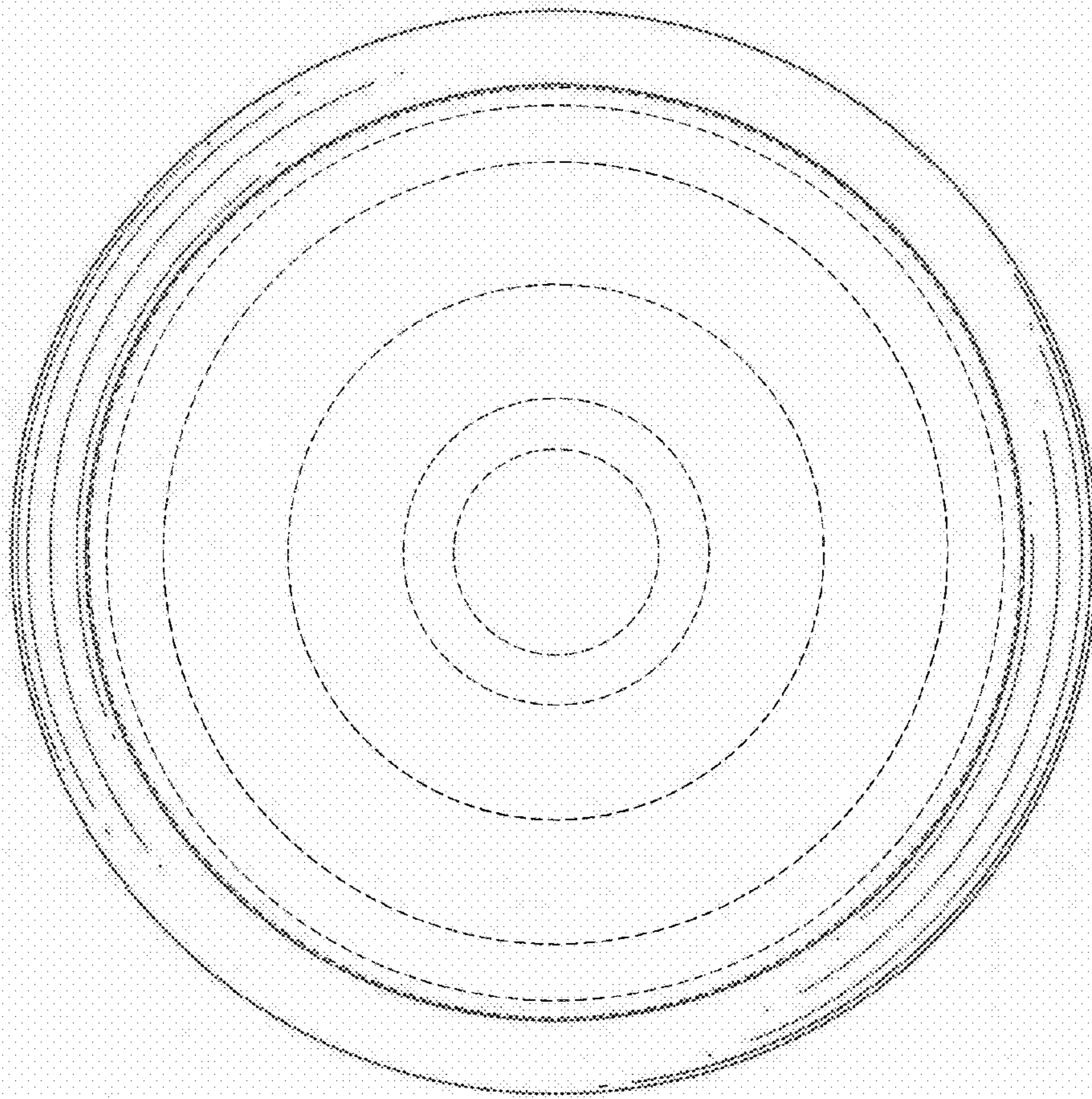


FIG. 4