



US00D708474S

(12) **United States Design Patent**  
**Liebowitz**

(10) **Patent No.:** **US D708,474 S**

(45) **Date of Patent:** **\*\* Jul. 8, 2014**

(54) **FLOAT FOR LIQUID STORAGE CONTAINER**

(71) Applicant: **Michael Jonathan Liebowitz**, Concord, CA (US)

(72) Inventor: **Michael Jonathan Liebowitz**, Concord, CA (US)

(73) Assignee: **WineStor, LLC**, Mountain View, CA (US)

(\*\*) Term: **14 Years**

(21) Appl. No.: **29/445,450**

(22) Filed: **Feb. 12, 2013**

(51) **LOC (10) Cl.** ..... **07-02**

(52) **U.S. Cl.**  
USPC ..... **D7/392.1**

(58) **Field of Classification Search**  
CPC ..... G01F 11/00; A47G 23/0241  
USPC ..... D7/392.1, 392, 510, 511, 629; D9/503, D9/504, 394, 398, 544  
See application file for complete search history.

(56) **References Cited**

U.S. PATENT DOCUMENTS

1,247,906	A *	11/1917	Tully	426/84
D79,717	S *	10/1929	Hoffman	D9/503
D98,951	S *	3/1936	Lewis	D9/777
3,256,977	A *	6/1966	Pettersen	206/216
D229,573	S *	12/1973	Travela	D99/34
4,907,719	A *	3/1990	Spotholz et al.	222/1
5,133,479	A *	7/1992	Boyte, Sr.	222/1
D332,721	S *	1/1993	Jauhal et al.	D7/354
D436,855	S *	1/2001	Papiernik	D9/414
D477,969	S *	8/2003	Griffin et al.	D7/540
D494,809	S *	8/2004	Yerelian	D7/396.2
D520,879	S *	5/2006	Antretter	D9/683
D640,095	S *	6/2011	Dettloff et al.	D7/510

\* cited by examiner

*Primary Examiner* — Susan E Krakower

*Assistant Examiner* — Kendra L Hamilton

(74) *Attorney, Agent, or Firm* — James F. Hann; Haynes Beffel & Wolfeld LLP

(57) **CLAIM**

The ornamental design for a float for liquid storage container, as shown and described.

**DESCRIPTION**

This is related to the following co-pending U.S. patent applications, each having the same assignee: U.S. patent application Ser. No. 13/651,352 entitled Liquid Storage, Isolation and Dispensing Assembly, and U.S. patent application Ser. No. 29/434,518 entitled Float for Liquid Storage Container, both filed on 12 Oct. 2012, the disclosures of which are incorporated by reference.

FIG. 1 is a front, top perspective view of a float for liquid storage container showing my new design;

FIG. 2 is a front elevation view thereof, the rear elevation view, right side elevation view and left side elevation view being identical;

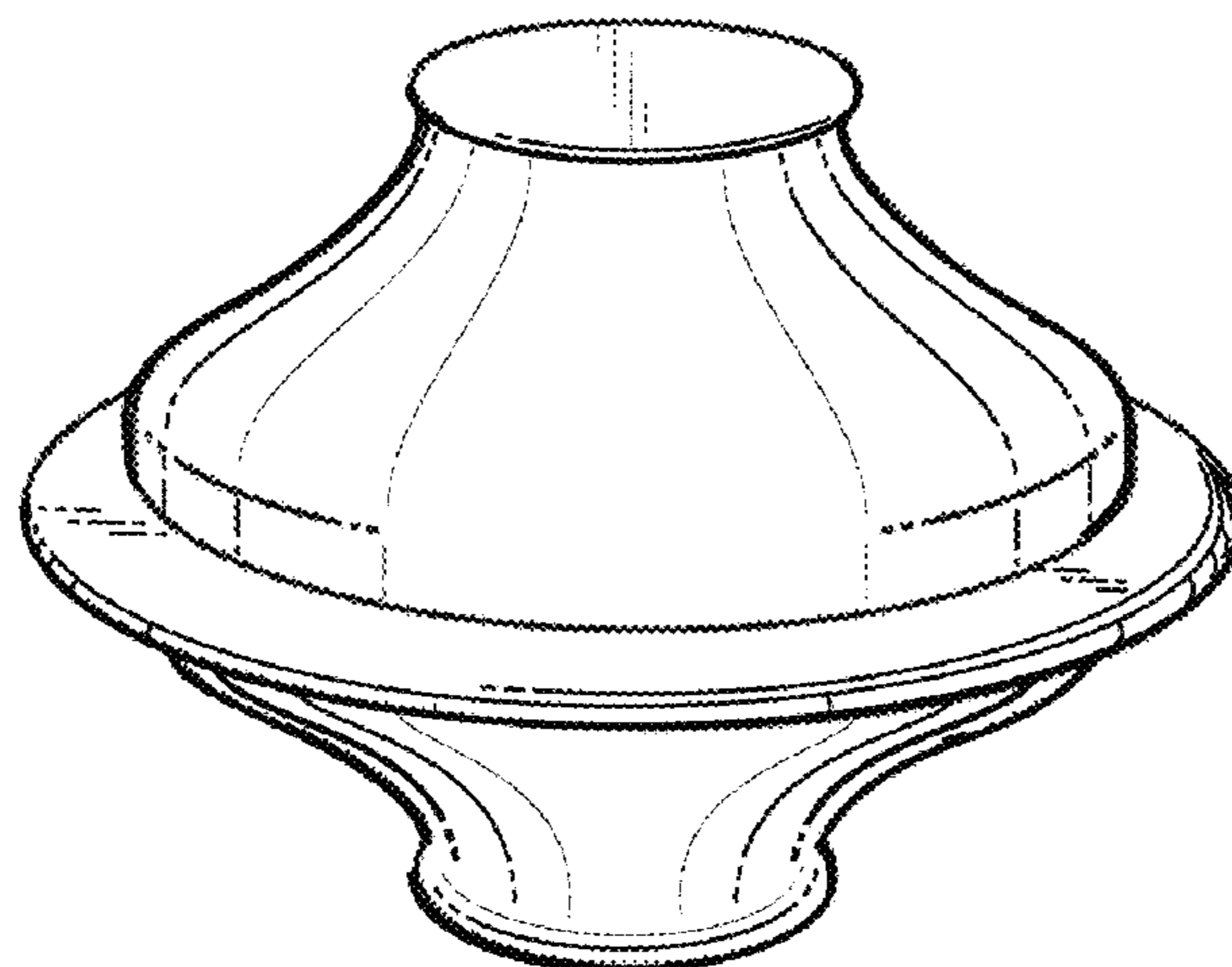
FIG. 3 is a top plan view thereof, the bottom plan view being identical; and,

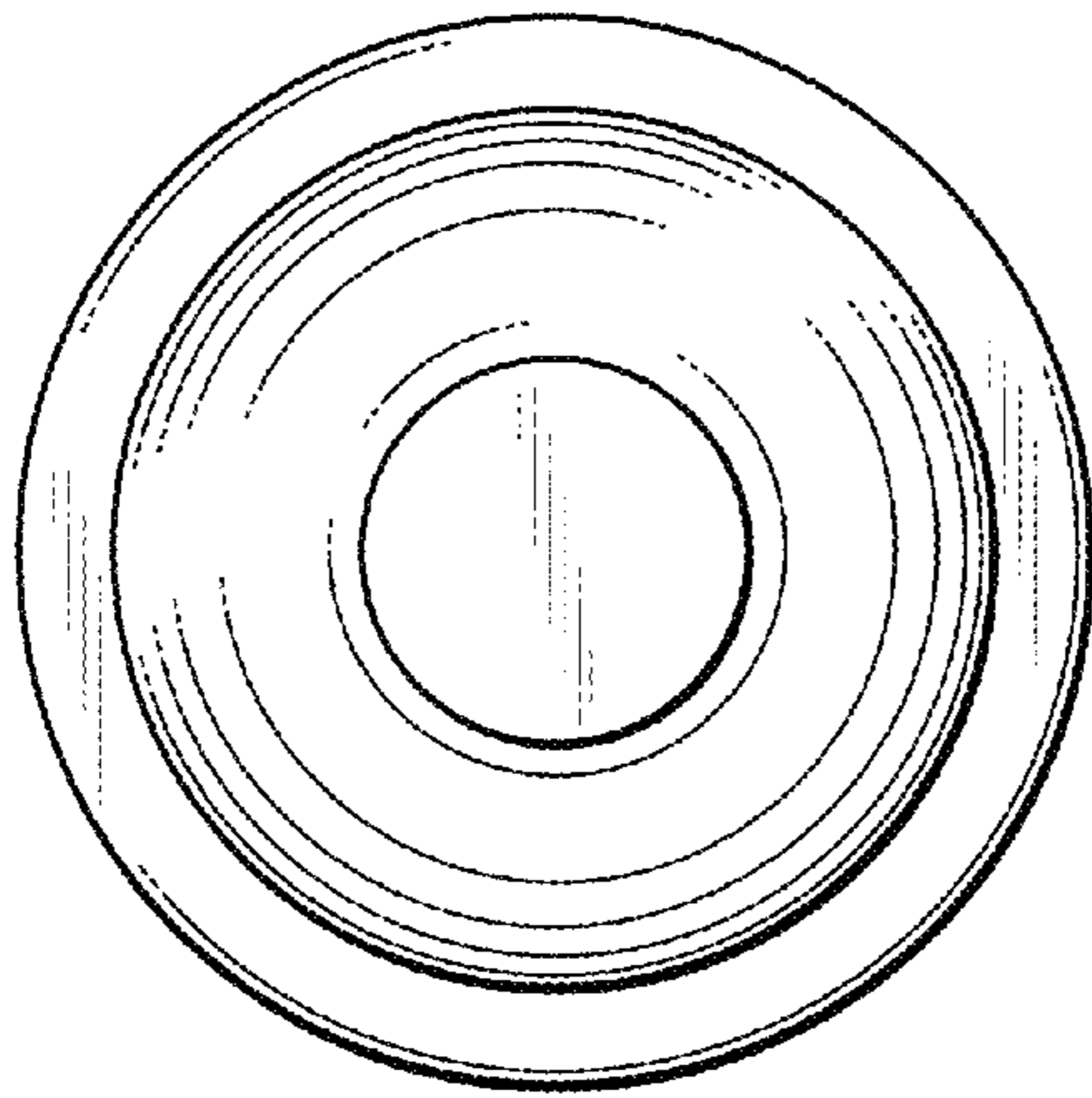
FIG. 4 is a side elevation view thereof within a container, the container shown in broken lines for environmental purposes only.

The broken lines showing a container in FIG. 4 illustrate environmental structure and form no part of the claimed design.

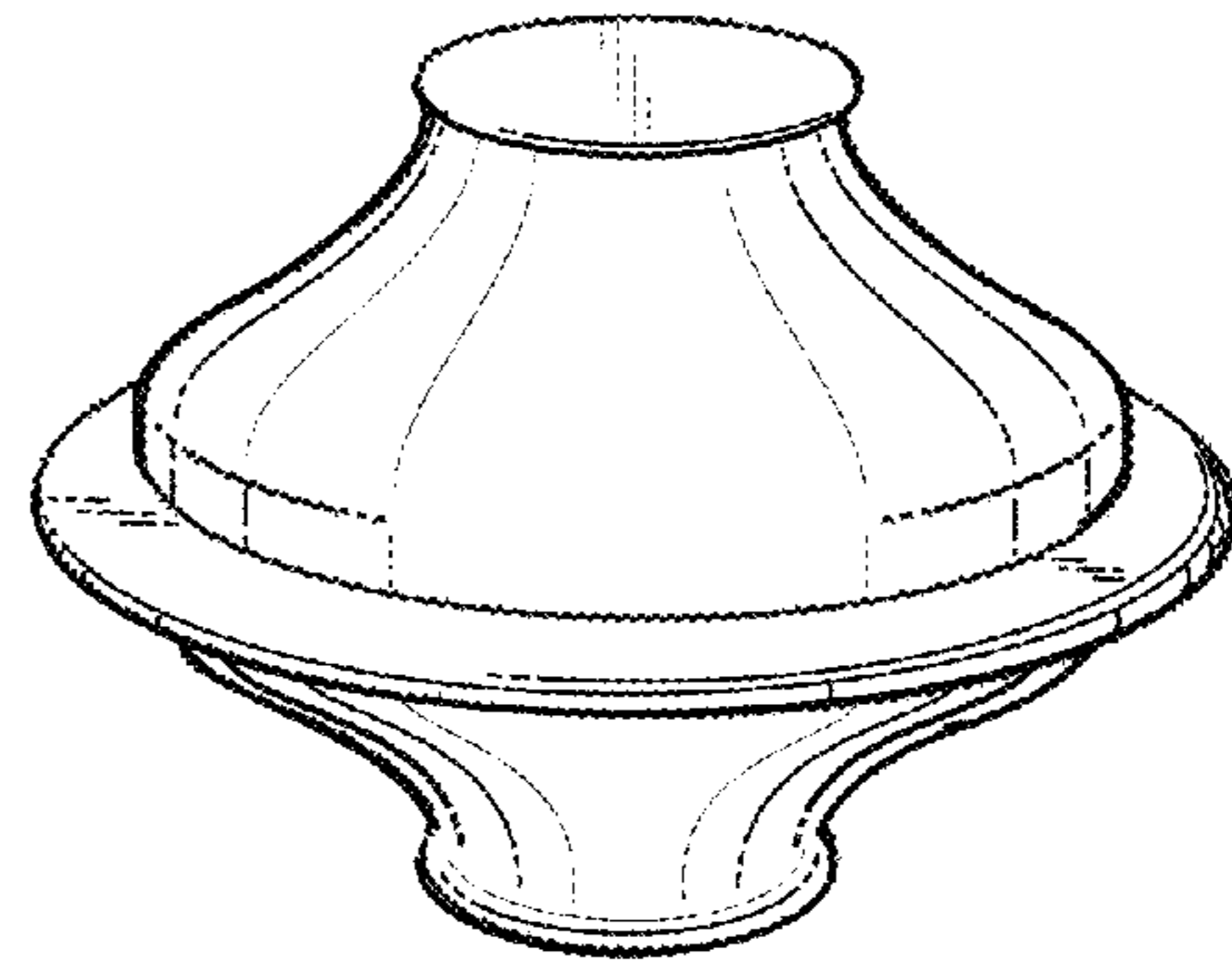
The float for liquid storage container is used to float on the surface of a liquid within a container.

**1 Claim, 2 Drawing Sheets**

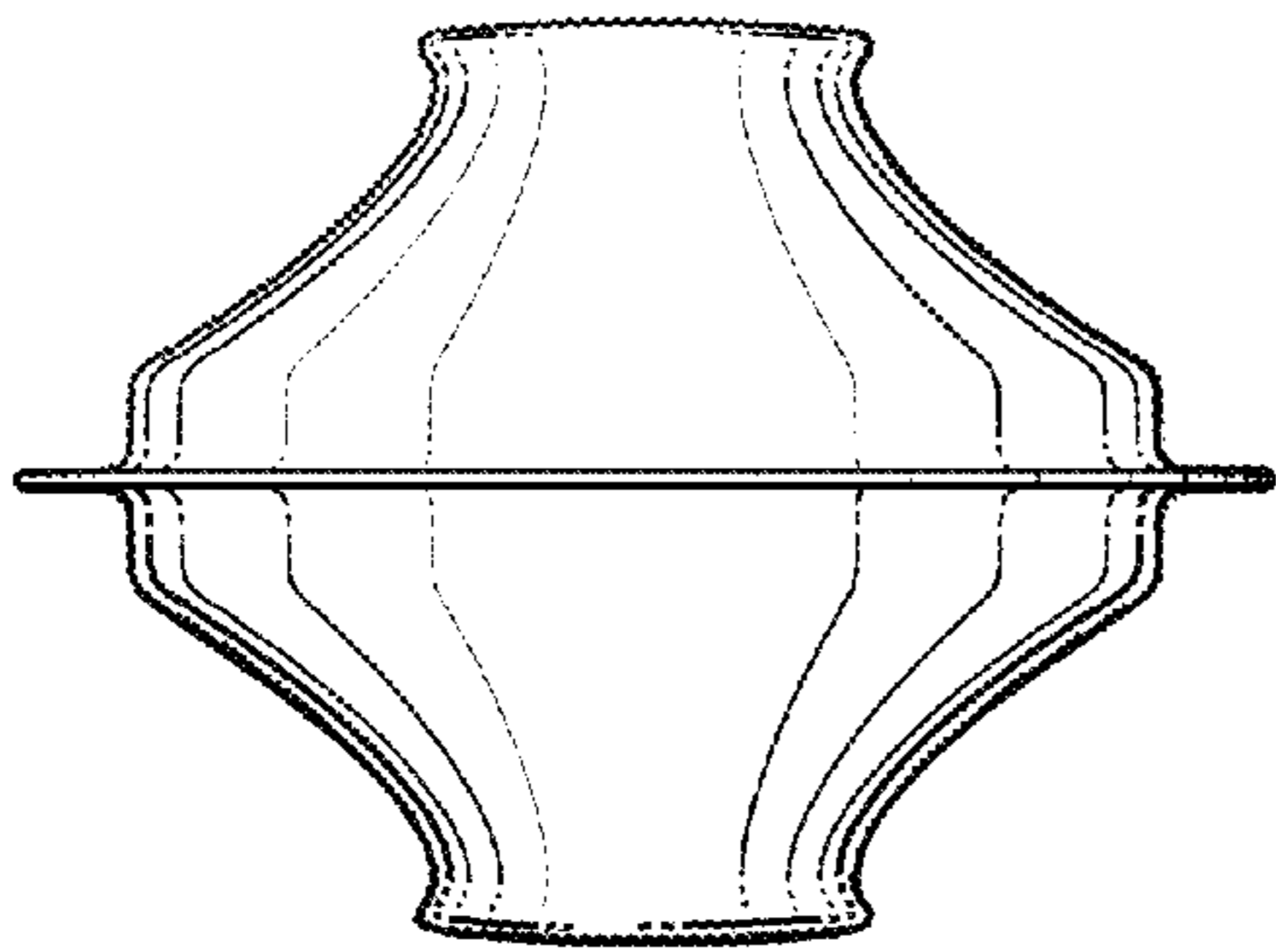




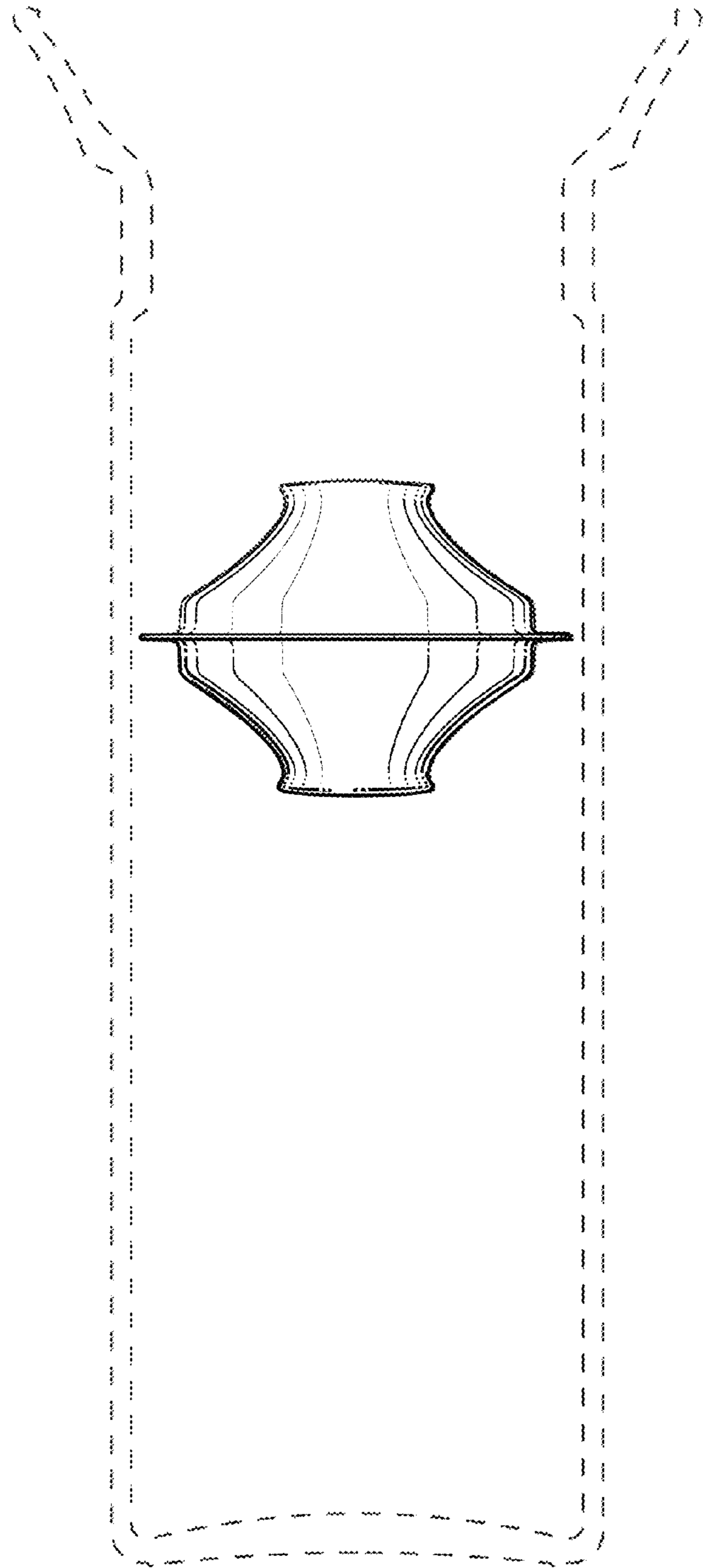
**FIG. 3**



**FIG. 1**



**FIG. 2**



**FIG. 4**