



US00D708473S

(12) **United States Design Patent**
Tavener et al.

(10) **Patent No.:** **US D708,473 S**
(45) **Date of Patent:** **** Jul. 8, 2014**

(54) **FLOAT FOR LIQUID STORAGE CONTAINER**

(71) Applicants: **Ronald Scott Tavener**, Mountain View, CA (US); **Michael Jonathan Liebowitz**, Concord, CA (US); **Suzanne Janet Nason**, San Francisco, CA (US)

(72) Inventors: **Ronald Scott Tavener**, Mountain View, CA (US); **Michael Jonathan Liebowitz**, Concord, CA (US); **Suzanne Janet Nason**, San Francisco, CA (US)

(73) Assignee: **WineStor, LLC**, Mountain View, CA (US)

(**) Term: **14 Years**

(21) Appl. No.: **29/434,518**

(22) Filed: **Oct. 12, 2012**

(51) **LOC (10) Cl.** **07-02**

(52) **U.S. Cl.**
USPC **D7/392.1**

(58) **Field of Classification Search**
CPC G01F 11/00; A47G 23/0241
USPC D7/392.1, 392, 510, 511, 629; D9/503, D9/504, 394, 398, 544
See application file for complete search history.

(56) **References Cited**

U.S. PATENT DOCUMENTS

D63,117 S *	10/1923	Aymar	D7/542
D154,999 S *	8/1949	Eratico	D9/503
4,907,719 A *	3/1990	Spotholz et al.	222/1
5,133,479 A *	7/1992	Boyte, Sr.	222/1
D339,296 S *	9/1993	Bompard	D9/545
D355,602 S *	2/1995	Buettner et al.	D9/505

D380,124 S *	6/1997	Kato et al.	D7/605
D463,263 S *	9/2002	Gobe	D9/691
D477,969 S *	8/2003	Griffin et al.	D7/540
D494,809 S *	8/2004	Yerelian	D7/396.2
D520,879 S *	5/2006	Antretter	D9/683
D534,806 S *	1/2007	Antretter	D9/546
D556,568 S *	12/2007	DuVal	D9/500
D683,184 S	5/2013	Lin		

* cited by examiner

Primary Examiner — Susan E Krakower

Assistant Examiner — Kendra L Hamilton

(74) *Attorney, Agent, or Firm* — James F. Hann; Haynes Beffel & Wolfeld LLP

(57) **CLAIM**

The ornamental design for a float for liquid storage container, as shown and described.

DESCRIPTION

This is related to our copending U.S. patent application, titled Liquid Storage, Isolation and Dispensing Container, filed on the same date as this application, having Ser. No. 13/651,352, the disclosure of which is incorporated by reference.

FIG. 1 is a front, top perspective view of a float for liquid storage container showing our new design;

FIG. 2 is a front elevation view thereof, the rear elevation view, right side elevation view and left side elevation view being identical;

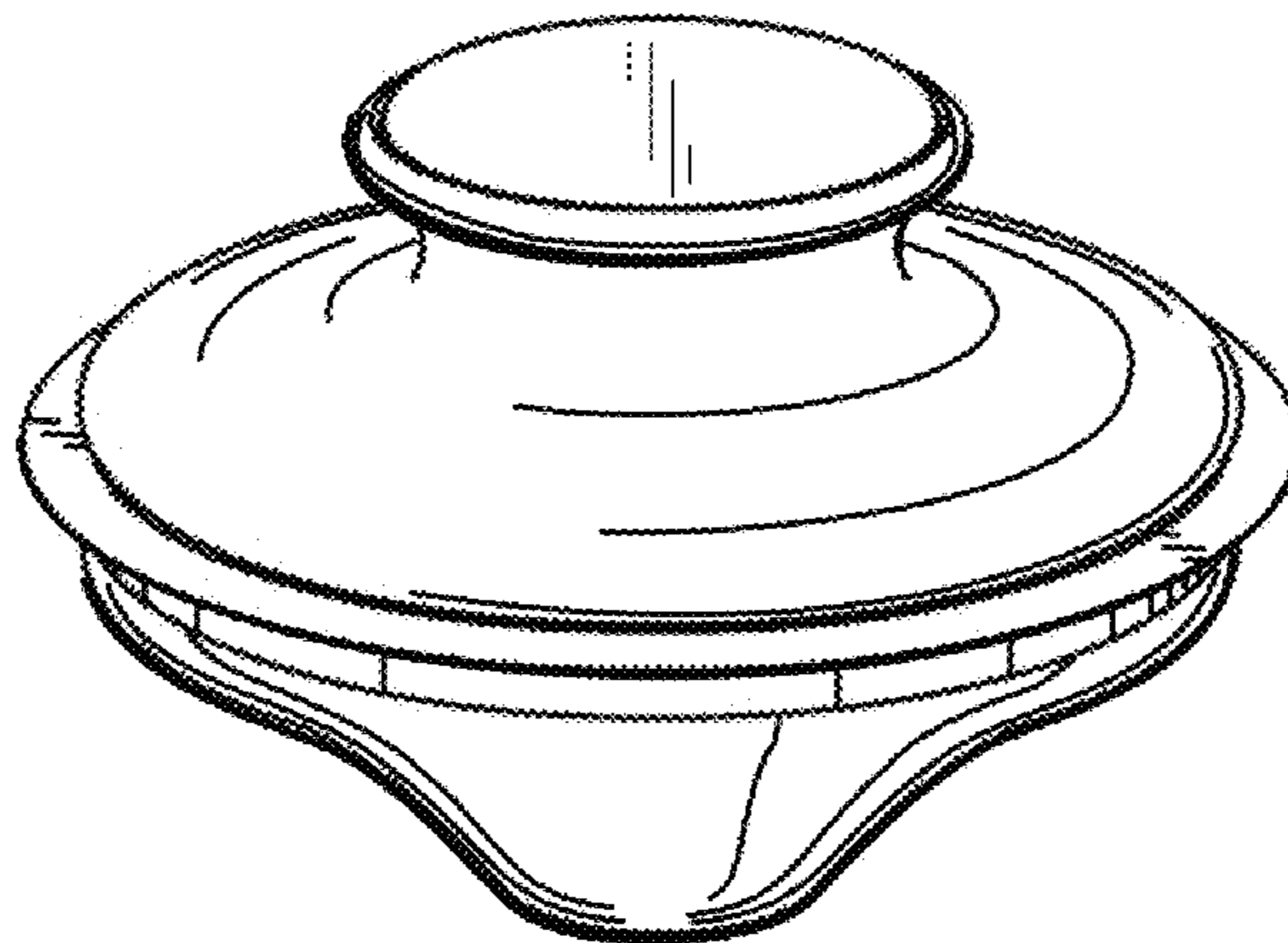
FIG. 3 is a top plan view thereof;

FIG. 4 is a bottom plan view thereof; and,

FIG. 5 is a side elevation view within a container, the container shown in broken lines for environmental purposes only.

The broken lines showing a container in FIG. 5 illustrate environmental structure and form no part of the claimed design.

1 Claim, 2 Drawing Sheets



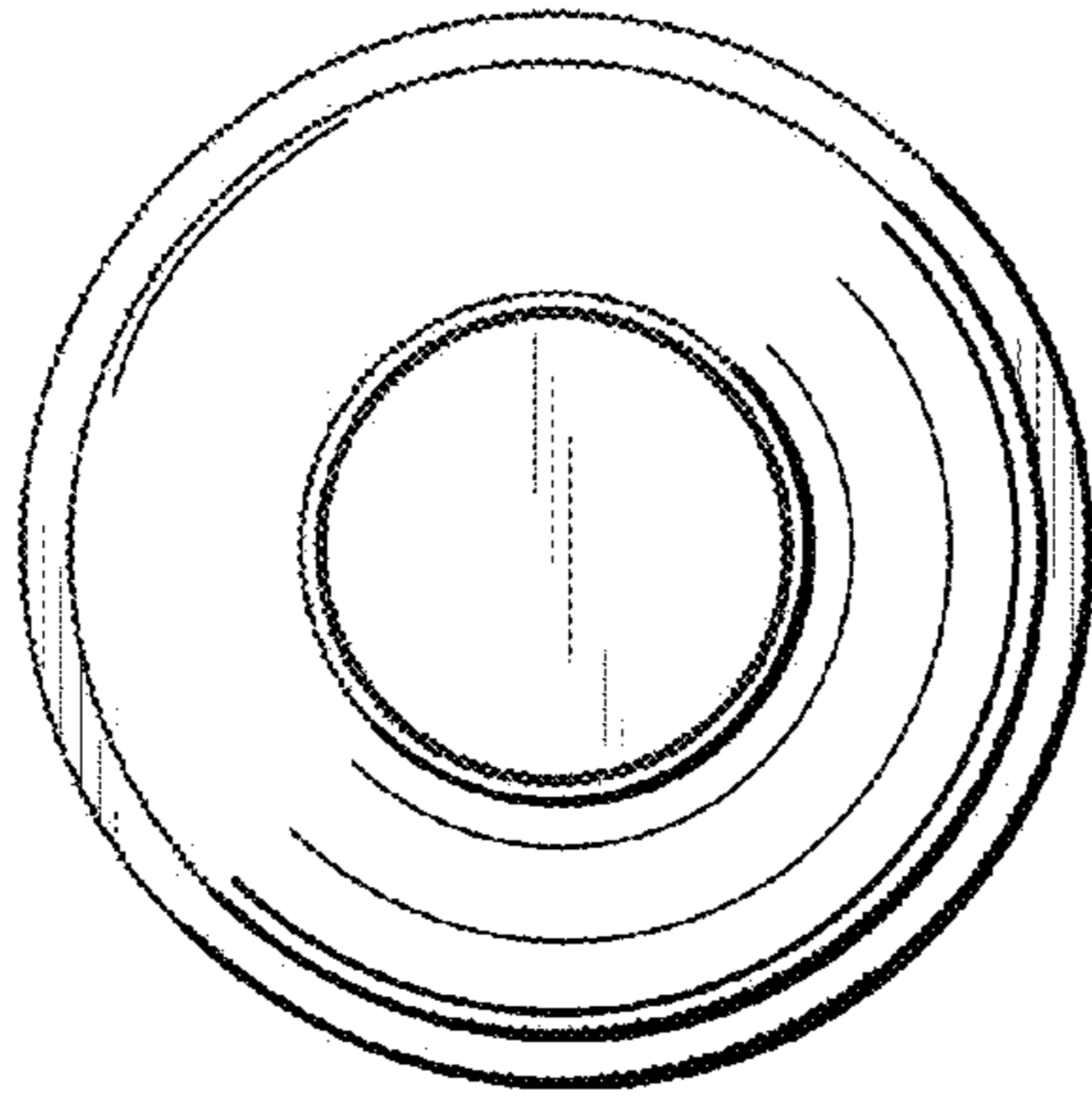


FIG. 3

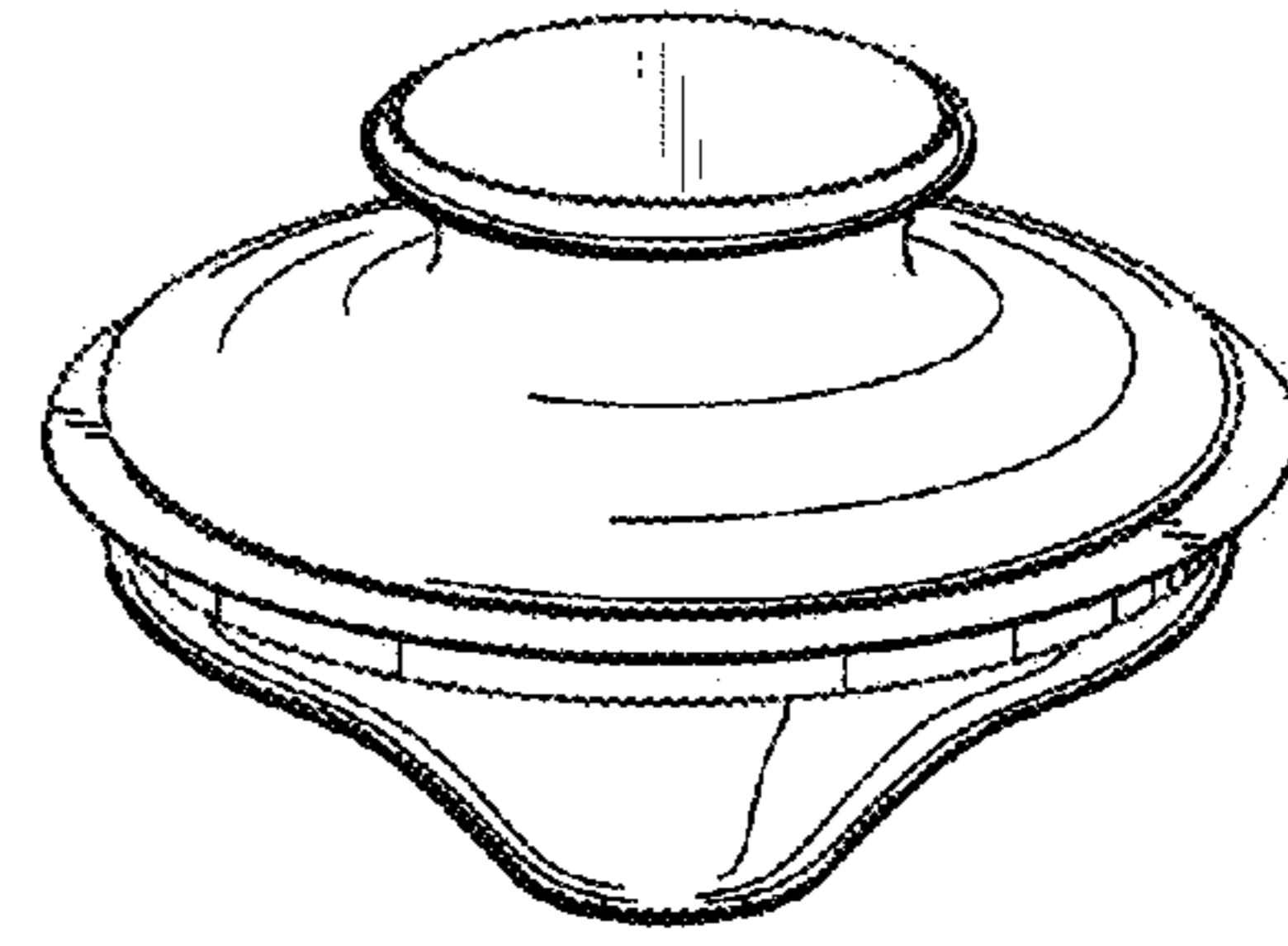


FIG. 1

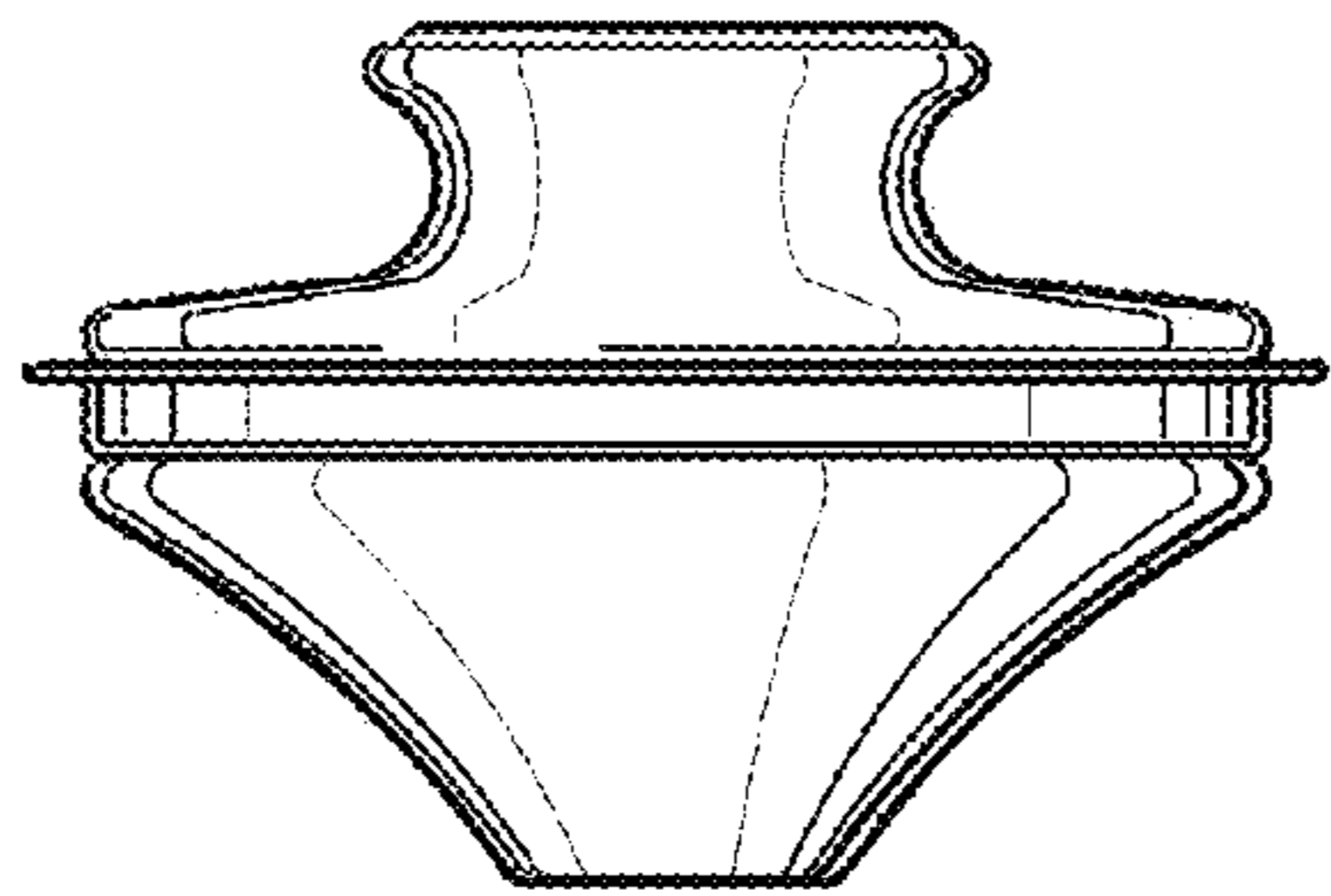


FIG. 2

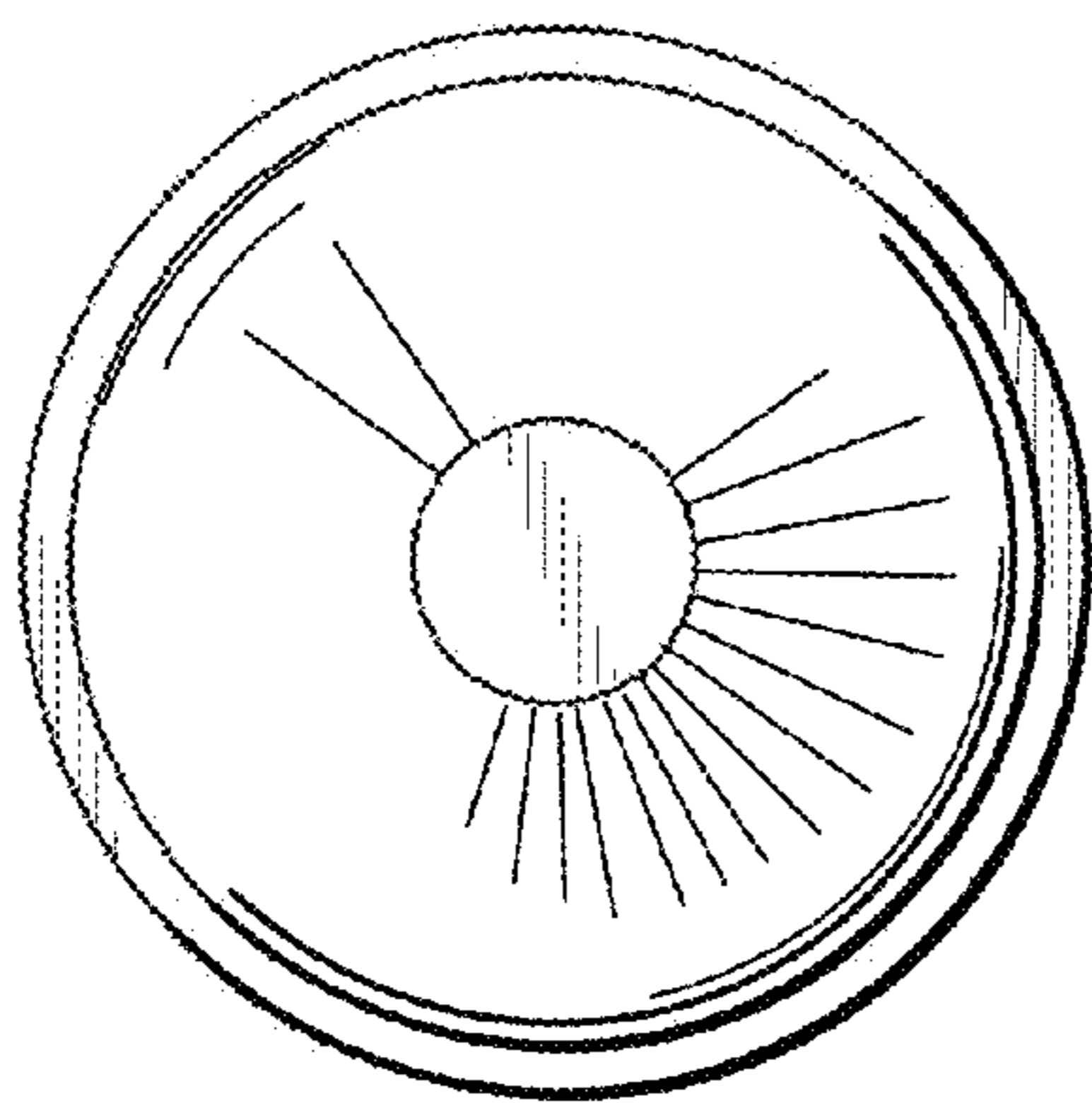


FIG. 4

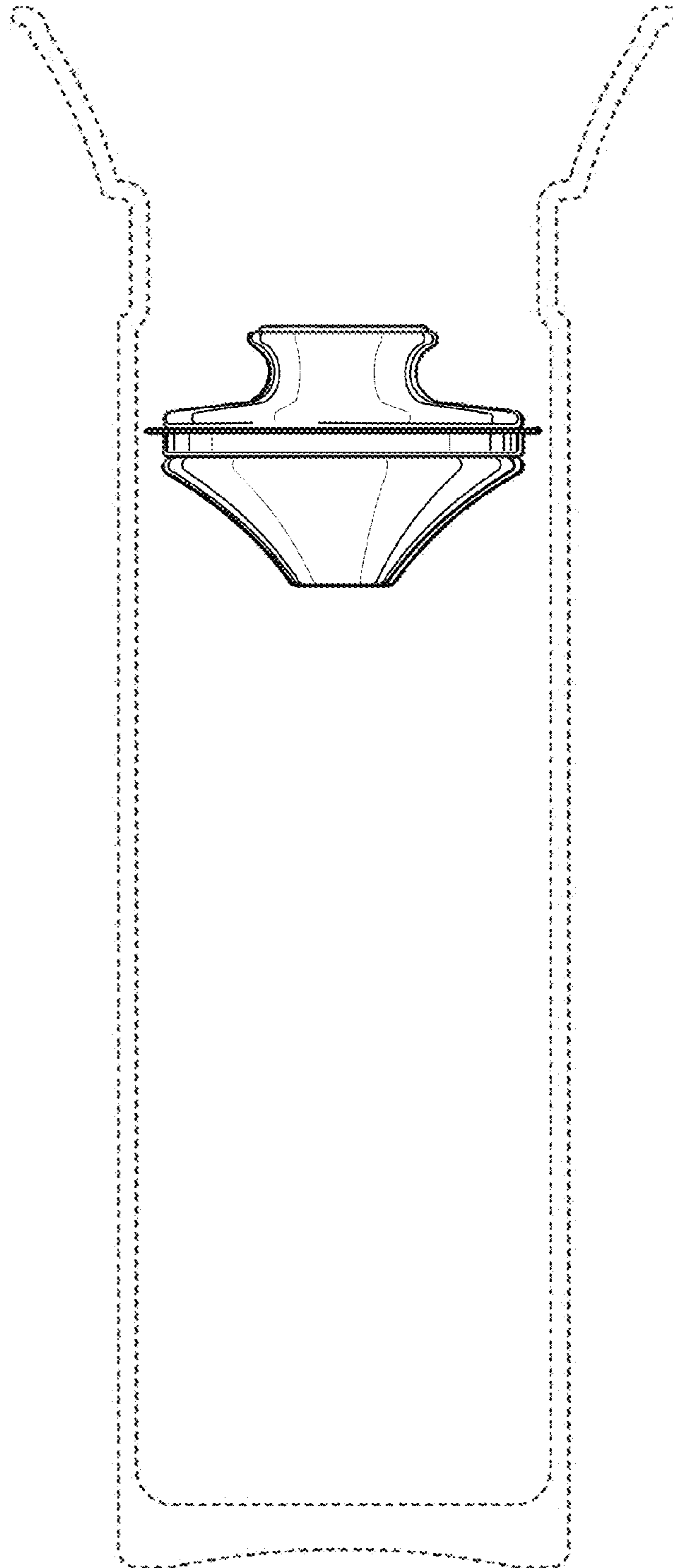


FIG. 5