



US00D708471S

(12) **United States Design Patent**
Colquhoun et al.

(10) **Patent No.:** **US D708,471 S**
(45) **Date of Patent:** **** Jul. 8, 2014**

- (54) **JAR LID FOR DRY ICE SEPARATION**
- (71) Applicants: **Jason Colquhoun**, Langley (CA);
Adrian Van Wijk, Vancouver (CA)
- (72) Inventors: **Jason Colquhoun**, Langley (CA);
Adrian Van Wijk, Vancouver (CA)
- (73) Assignee: **Crystal Mountain Manufacturing Inc.**,
Langley (CA)

| | | | |
|---------------|---------|---------------|----------|
| 5,181,615 A | 1/1993 | Thompson | |
| 5,186,828 A | 2/1993 | Mankin | |
| 5,221,475 A | 6/1993 | Mealey et al. | |
| 5,409,128 A * | 4/1995 | Mitchell | 220/23.4 |
| D381,259 S * | 7/1997 | Hayes | D9/504 |
| D405,609 S * | 2/1999 | Fu et al. | D3/302 |
| 6,949,188 B2 | 9/2005 | Geyer | |
| 7,267,236 B2 | 9/2007 | Kuo | |
| D557,994 S * | 12/2007 | Wahl | D7/629 |
| D587,534 S * | 3/2009 | Carreno | D7/629 |
| 7,571,830 B2 | 8/2009 | Lin | |
| D622,554 S * | 8/2010 | Carreno | D7/629 |

(Continued)

(**) Term: **14 Years**

(21) Appl. No.: **29/437,810**

(22) Filed: **Nov. 20, 2012**

(51) **LOC (10) Cl.** **07-02**

(52) **U.S. Cl.**
USPC **D7/391**

(58) **Field of Classification Search**
USPC D3/302; D7/307, 323, 329-332, 339,
D7/346-347, 350.1-350.4, 353-367,
D7/376-384, 391-392, 392.1, 393, 395,
D7/402, 406, 409, 538-545, 553.6, 555,
D7/557, 584-587, 600-614, 629,
D7/665-667; D9/443-447, 504, 780;
99/324-325, 331-343, 369, 400-418,
99/422, 425, 426, 440, 451, 483; 126/37 R,
126/261, 373.1, 374.1, 378.1, 381.1, 385.1;
206/501-505, 507-508; 210/445;
219/400, 405, 429-442, 620-624, 725,
219/730-735; 220/23.4, 203.05, 203.07,
220/203.09, 210, 254.3, 298, 315-316,
220/573.1-573.5, 575, 912; 426/438, 441
See application file for complete search history.

(56) **References Cited**

U.S. PATENT DOCUMENTS

| | | | |
|--------------|---------|---------------|--------|
| 2,919,169 A | 12/1959 | Jackson | |
| D246,029 S * | 10/1977 | Lynn et al. | D9/780 |
| 4,865,189 A | 9/1989 | Guerra et al. | |

FOREIGN PATENT DOCUMENTS

| | | |
|----|---------------|---------|
| CN | 202146147 U | 2/2012 |
| GB | 2196329 A | 4/1988 |
| WO | 2008130342 A1 | 10/2008 |

Primary Examiner — Ricky Pham

(74) *Attorney, Agent, or Firm* — Richard A. Johnson;
Borden Ladner Gervais LLP

(57) **CLAIM**

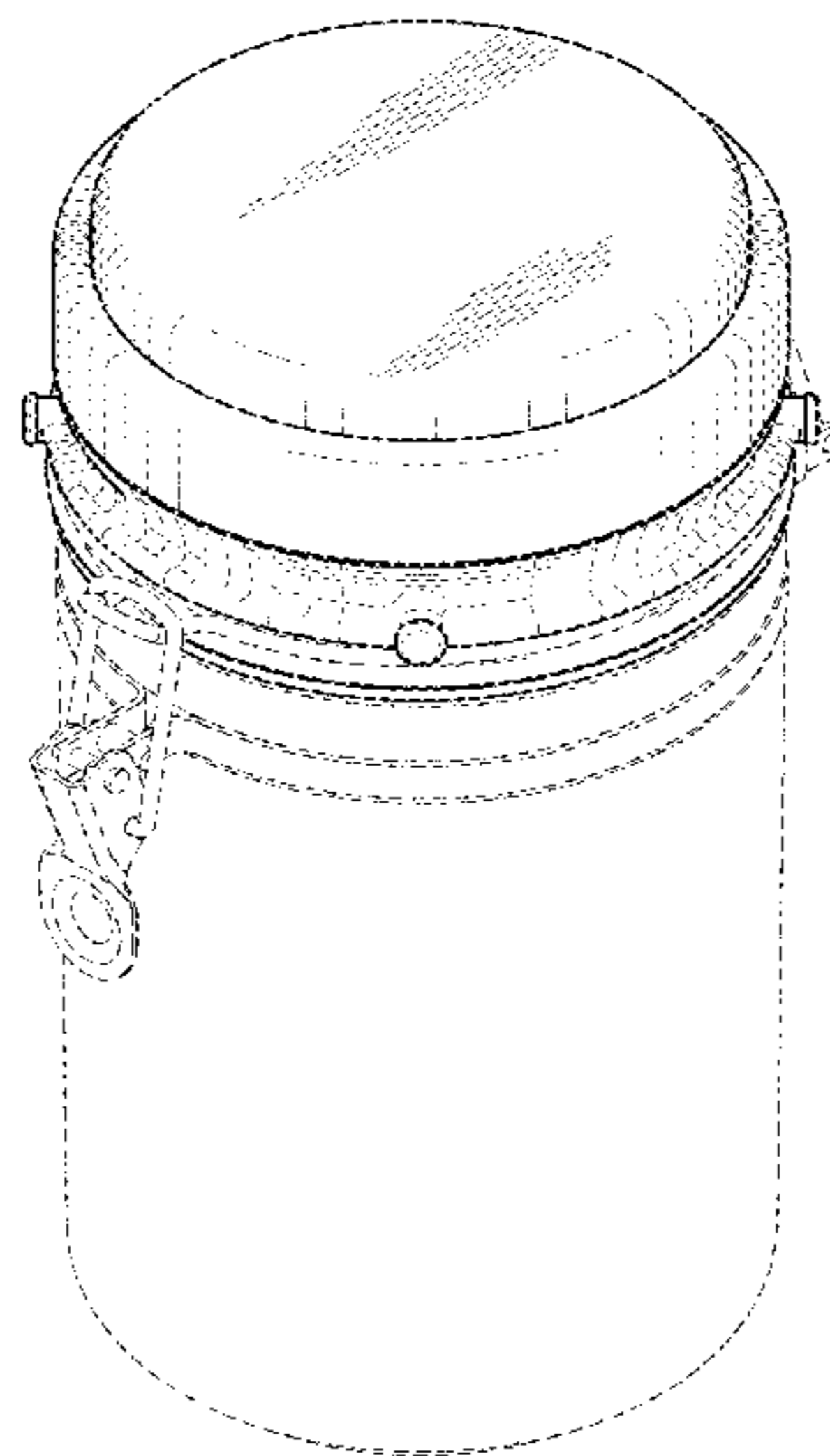
The ornamental design for a jar lid for dry ice separation, as shown and described.

DESCRIPTION

FIG. 1 is a perspective view of the jar lid for dry ice separation showing the design;
FIG. 2 is a front view thereof;
FIG. 3 is a rear view thereof;
FIG. 4 is a left side view thereof;
FIG. 5 is a right side view thereof;
FIG. 6 is a top view thereof;
FIG. 7 is a bottom view thereof;
FIG. 8 is an exploded view thereof; and,
FIG. 9 is a perspective view thereof showing the lid in an open position.

The jar, clip assembly and threads on the lid are shown in broken lines for illustrative purposes only and form no part of the claimed design.

1 Claim, 8 Drawing Sheets



(56)

References Cited

U.S. PATENT DOCUMENTS

| | | | | | | | |
|--------------|---------|--------------------|--------|-------------------|---------|---------------|---------|
| D629,657 S * | 12/2010 | Carreno | D7/629 | 2003/0057148 A1 * | 3/2003 | Zuk, Jr. | 210/445 |
| 7,997,423 B2 | 8/2011 | Goodman et al. | | 2005/0205487 A1 | 9/2005 | Rogers | |
| 8,002,200 B2 | 8/2011 | Joseph et al. | | 2008/0302718 A1 | 12/2008 | Hardy | |
| 8,151,985 B2 | 4/2012 | Owoc | | 2009/0311389 A1 | 12/2009 | Zoss et al. | |
| D660,084 S * | 5/2012 | Gilbert | D7/538 | 2010/0187183 A1 | 7/2010 | Nelson et al. | |
| D660,655 S * | 5/2012 | Wahl et al. | D7/629 | 2010/0200438 A1 | 8/2010 | Davies | |
| D666,061 S * | 8/2012 | Ying | D7/629 | 2010/0237079 A1 | 9/2010 | Sharon et al. | |
| D686,887 S * | 7/2013 | Meyers et al. | D7/629 | 2011/0290805 A1 | 12/2011 | Rances | |
| | | | | 2012/0024162 A1 | 2/2012 | Chen et al. | |
| | | | | 2012/0091131 A1 | 4/2012 | Arjomand | |

* cited by examiner

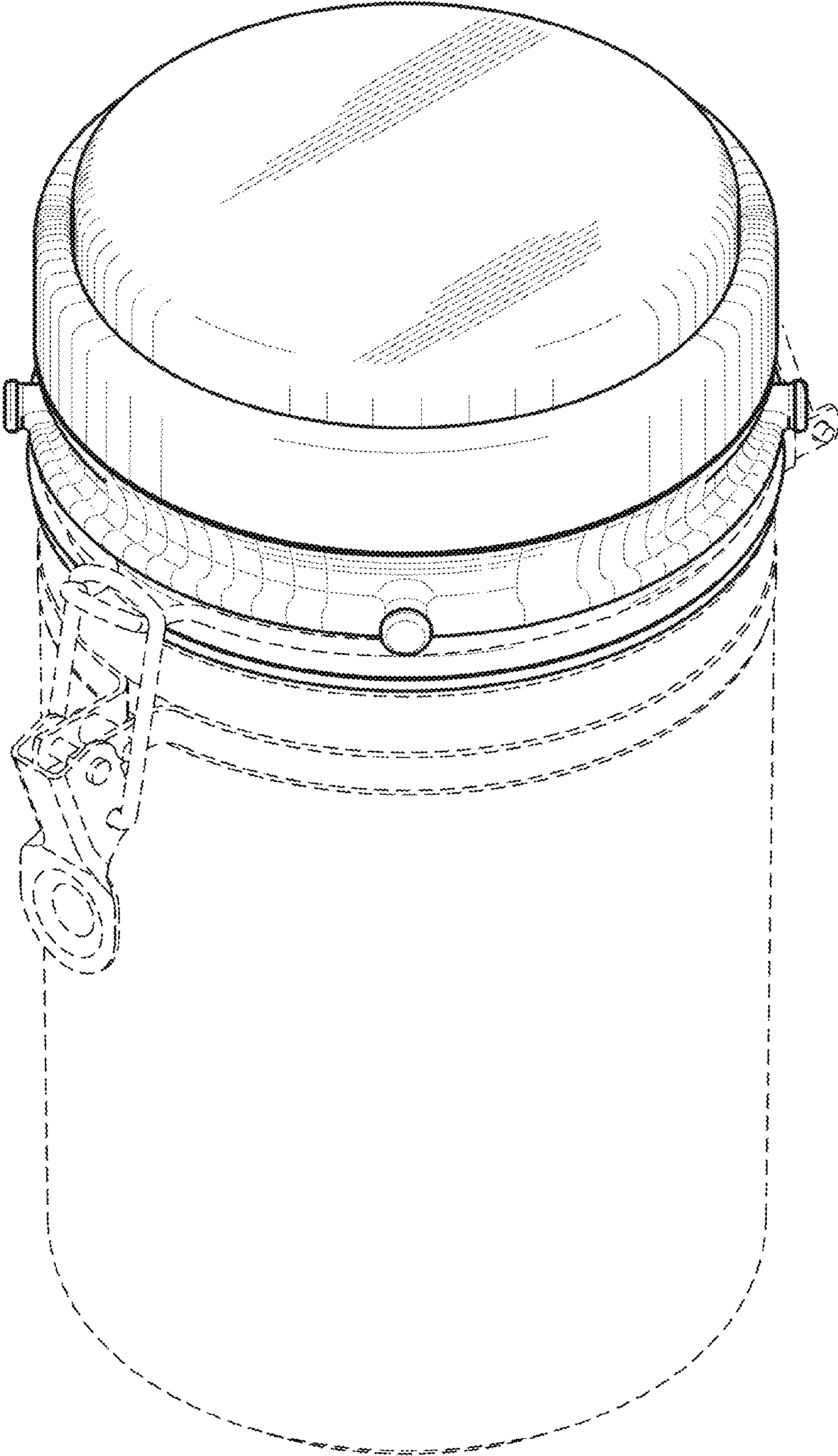


Figure 1

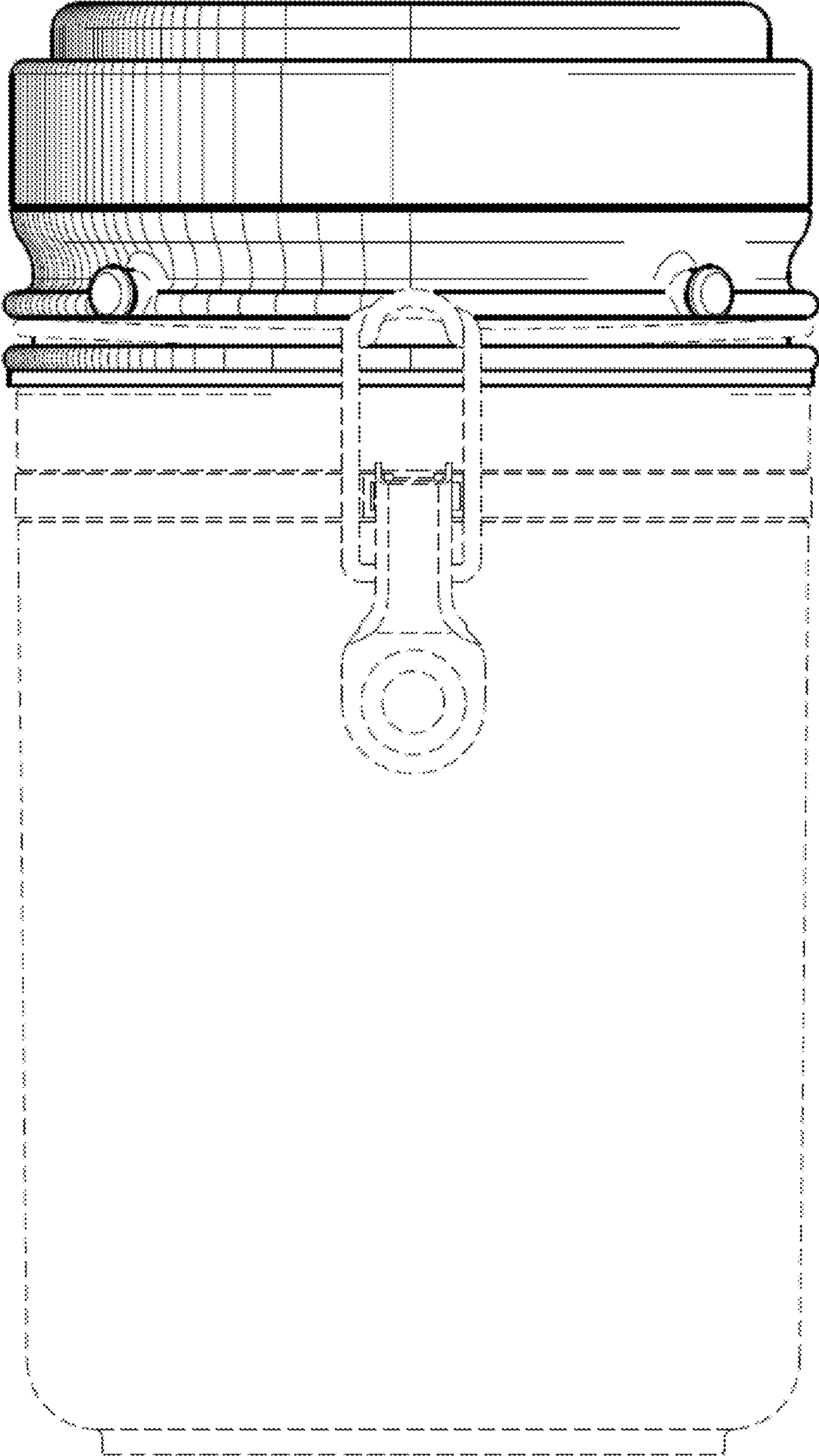


Figure 2

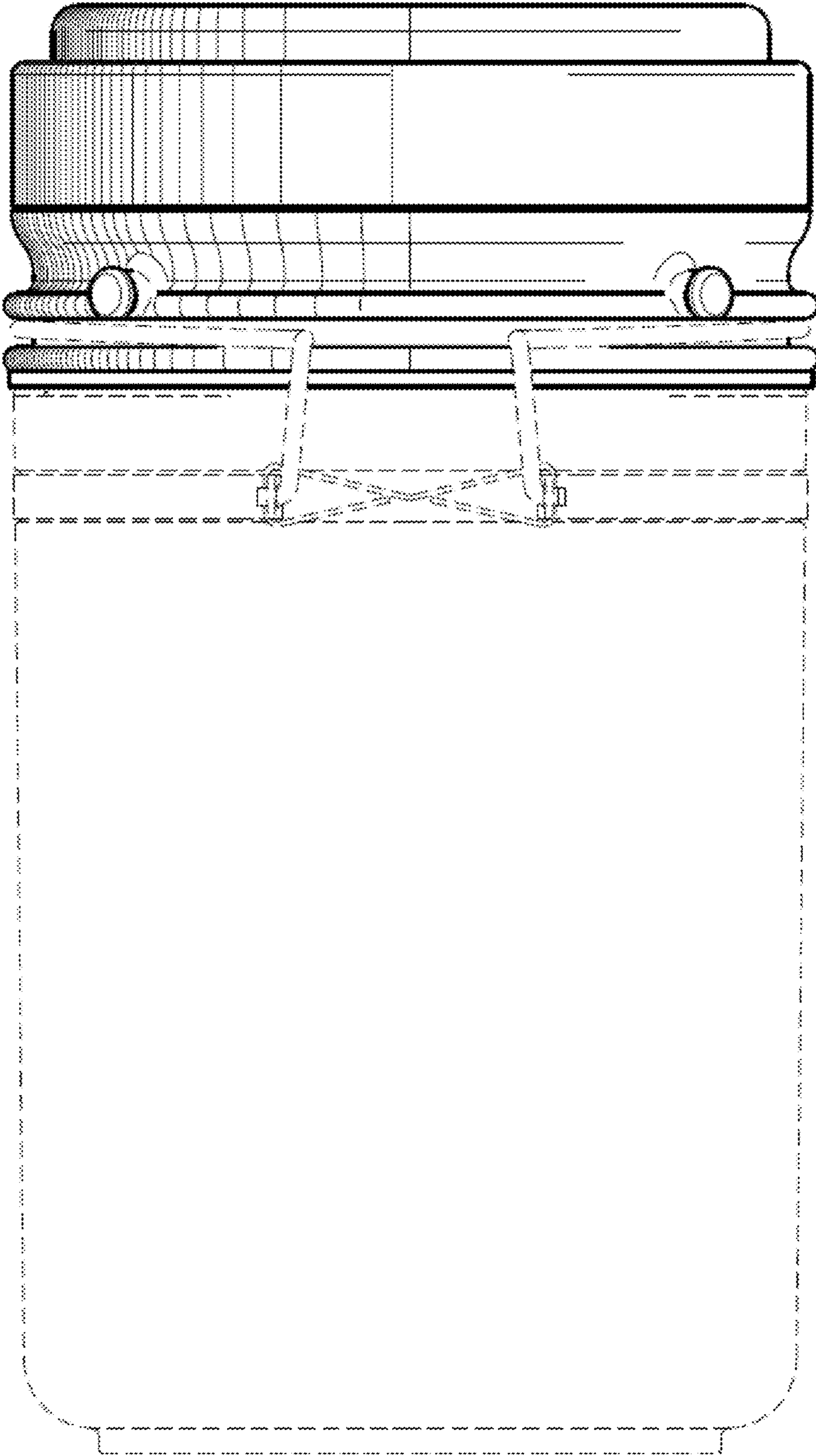


Figure 3

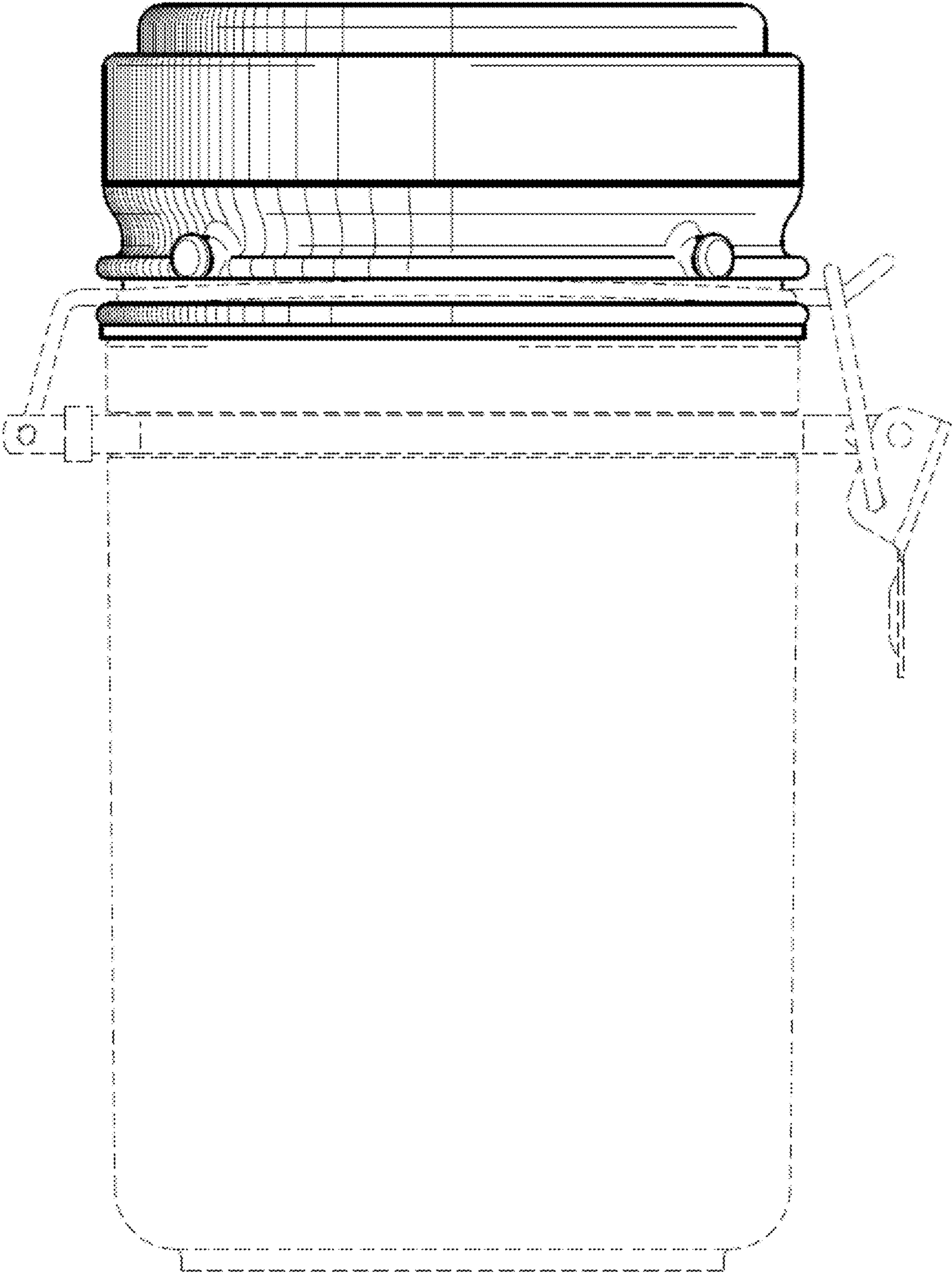


Figure 4

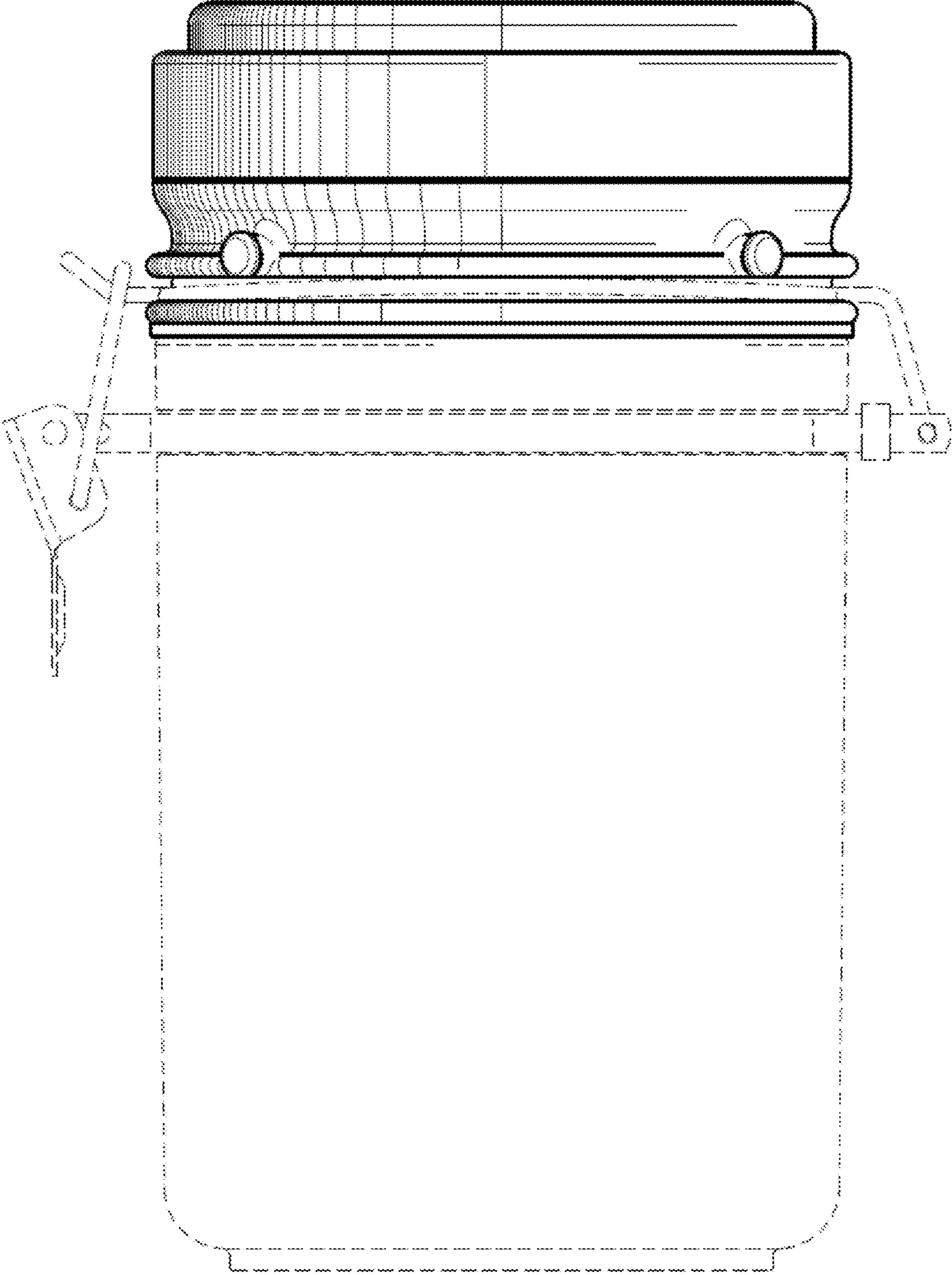


Figure 5

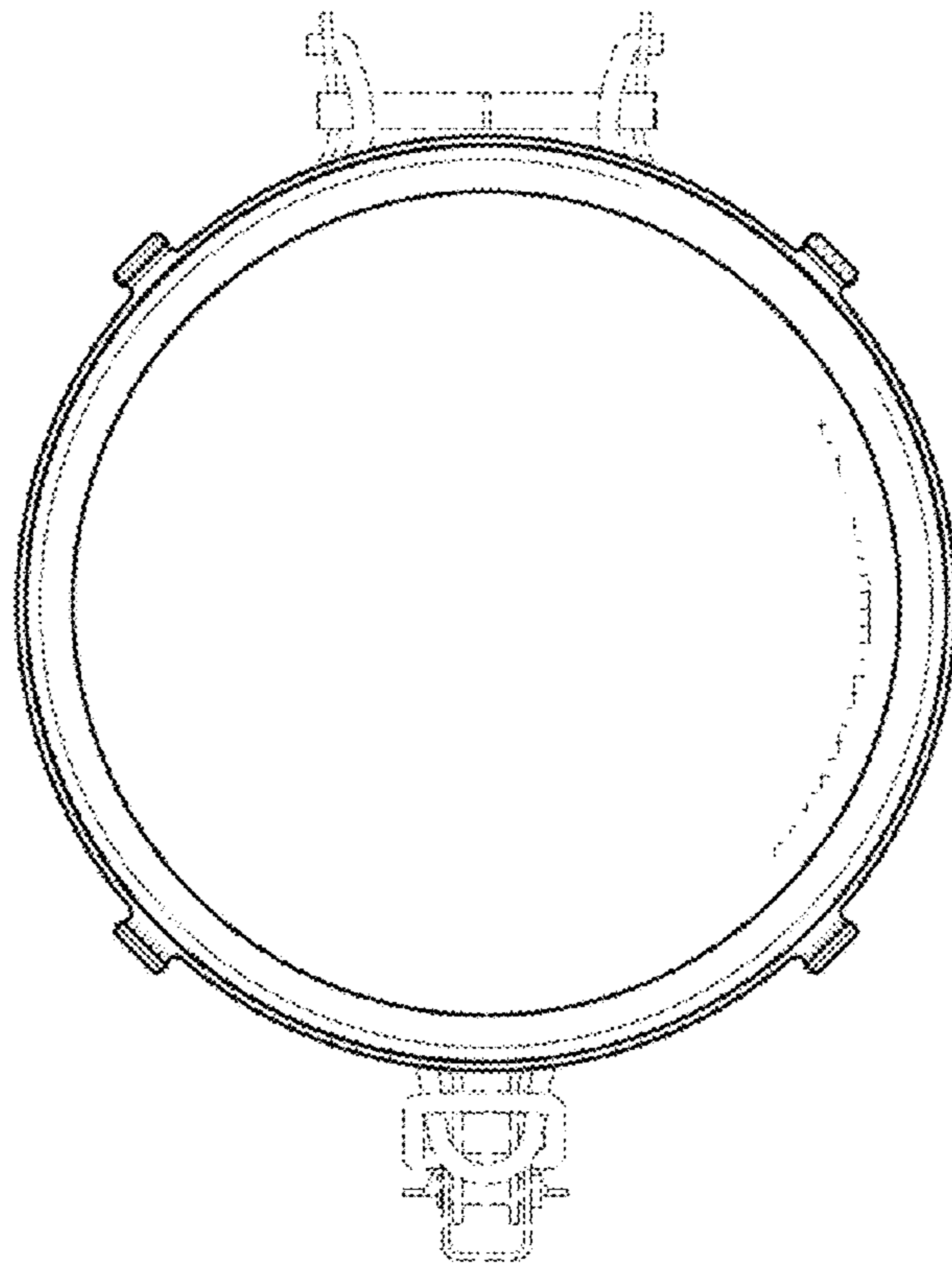


Figure 6

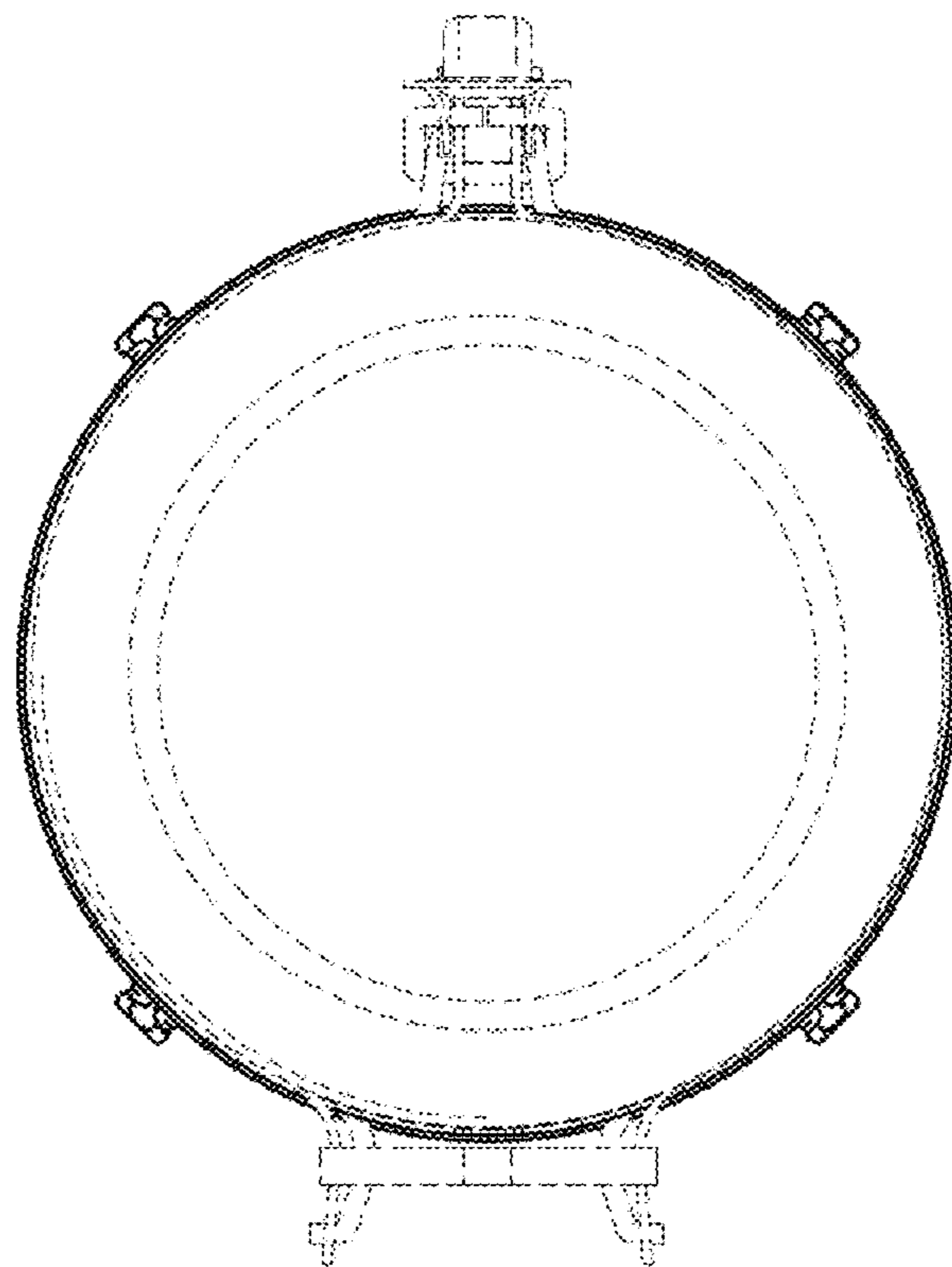


Figure 7

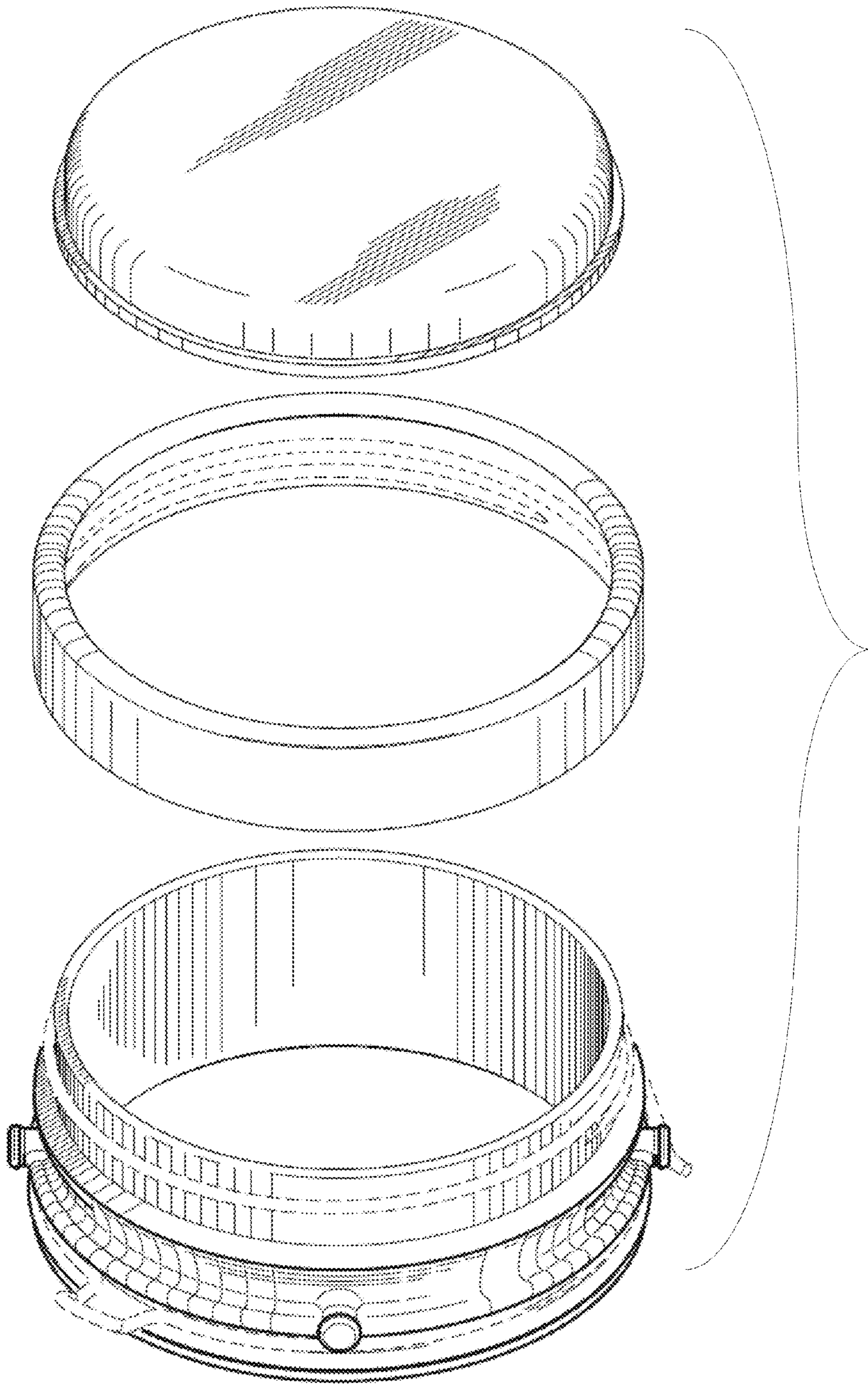


Figure 8

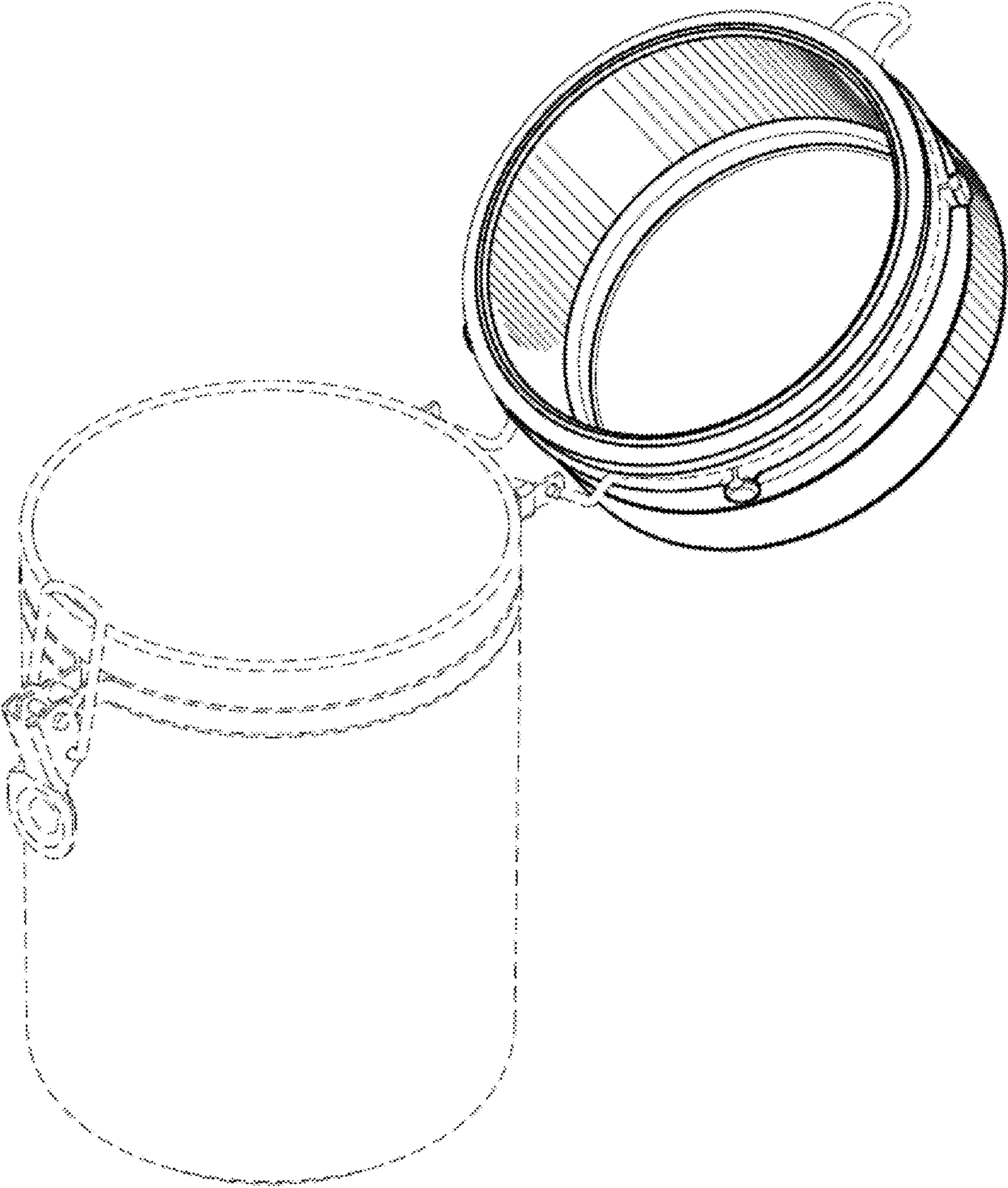


Figure 9