



US00D708469S

(12) **United States Design Patent**
Kim et al.

(10) **Patent No.:** **US D708,469 S**
(45) **Date of Patent:** **** Jul. 8, 2014**

(54) **MICROWAVE OVEN**
(71) Applicant: **LG Electronics Inc.**, Seoul (KR)
(72) Inventors: **Sooyeon Kim**, Seoul (KR); **Songyi Han**, Seoul (KR); **Hongsik Kwon**, Seoul (KR)
(73) Assignee: **LG Electronics Inc.**, Seoul (KR)
(**) Term: **14 Years**

D431,957 S * 10/2000 Taira D7/351
D433,268 S * 11/2000 Taira D7/351
D436,285 S * 1/2001 Taira D7/351
D442,018 S * 5/2001 Kusachi et al. D7/351
D463,200 S * 9/2002 Choi D7/351
D521,309 S * 5/2006 Carlini D7/350.1
D535,141 S * 1/2007 Lee et al. D7/351
D535,516 S * 1/2007 Lee et al. D7/351
D540,108 S * 4/2007 Kim D7/351
D606,360 S * 12/2009 Lee D7/351
D634,967 S * 3/2011 Drummond et al. D7/351
D634,968 S * 3/2011 Drummond et al. D7/351

(21) Appl. No.: **29/443,928**

* cited by examiner

(22) Filed: **Jan. 24, 2013**

Primary Examiner — Ruth McInroy

(30) **Foreign Application Priority Data**

(74) *Attorney, Agent, or Firm* — Morgan, Lewis & Bockius LLP

Jul. 31, 2012 (KR) 30-2012-0037254

(51) **LOC (10) Cl.** **07-02**

(52) **U.S. Cl.**
USPC **D7/351**

(58) **Field of Classification Search**
USPC D7/350.1, 350.3, 350.4, 351, 402, 405,
D7/406; 219/756-758; 126/19 M, 21 A,
126/275 E
See application file for complete search history.

(57) **CLAIM**

The ornamental design for a microwave oven, as shown and described.

DESCRIPTION

FIG. 1 is a perspective view of a microwave oven showing our new design;
FIG. 2 is a front view thereof;
FIG. 3 is a rear view thereof;
FIG. 4 is a left side view thereof;
FIG. 5 is a right side view thereof;
FIG. 6 is a top plan view thereof; and,
FIG. 7 is a bottom plan view thereof.
The broken lines shown in the drawings are for illustrative purposes only and form no part of the claimed design.

(56) **References Cited**

U.S. PATENT DOCUMENTS

D310,616 S * 9/1990 Murai et al. D7/351
D364,311 S * 11/1995 Kim D7/351
D371,042 S * 6/1996 Ozaki et al. D7/351

1 Claim, 7 Drawing Sheets

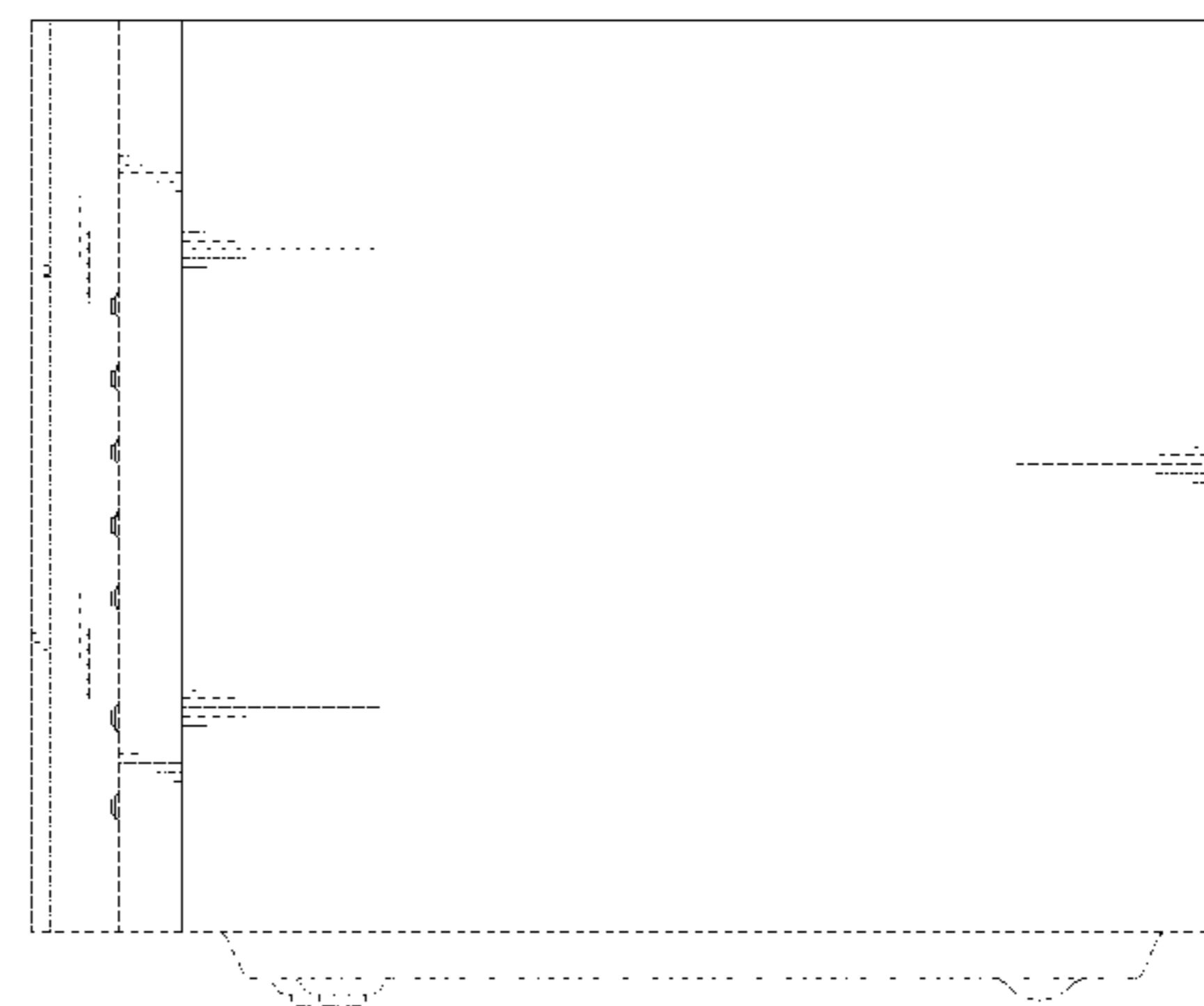
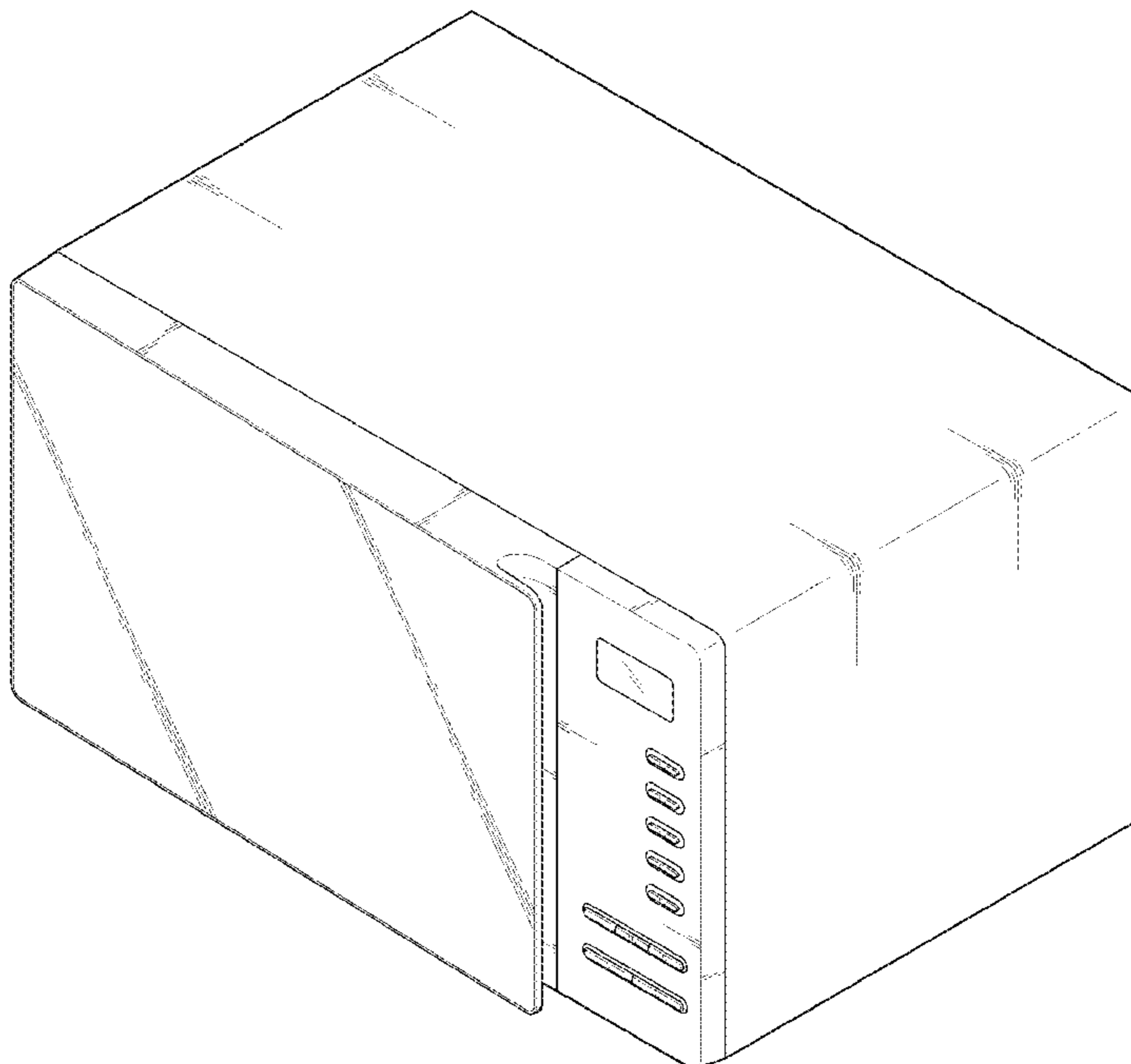


FIG. 1

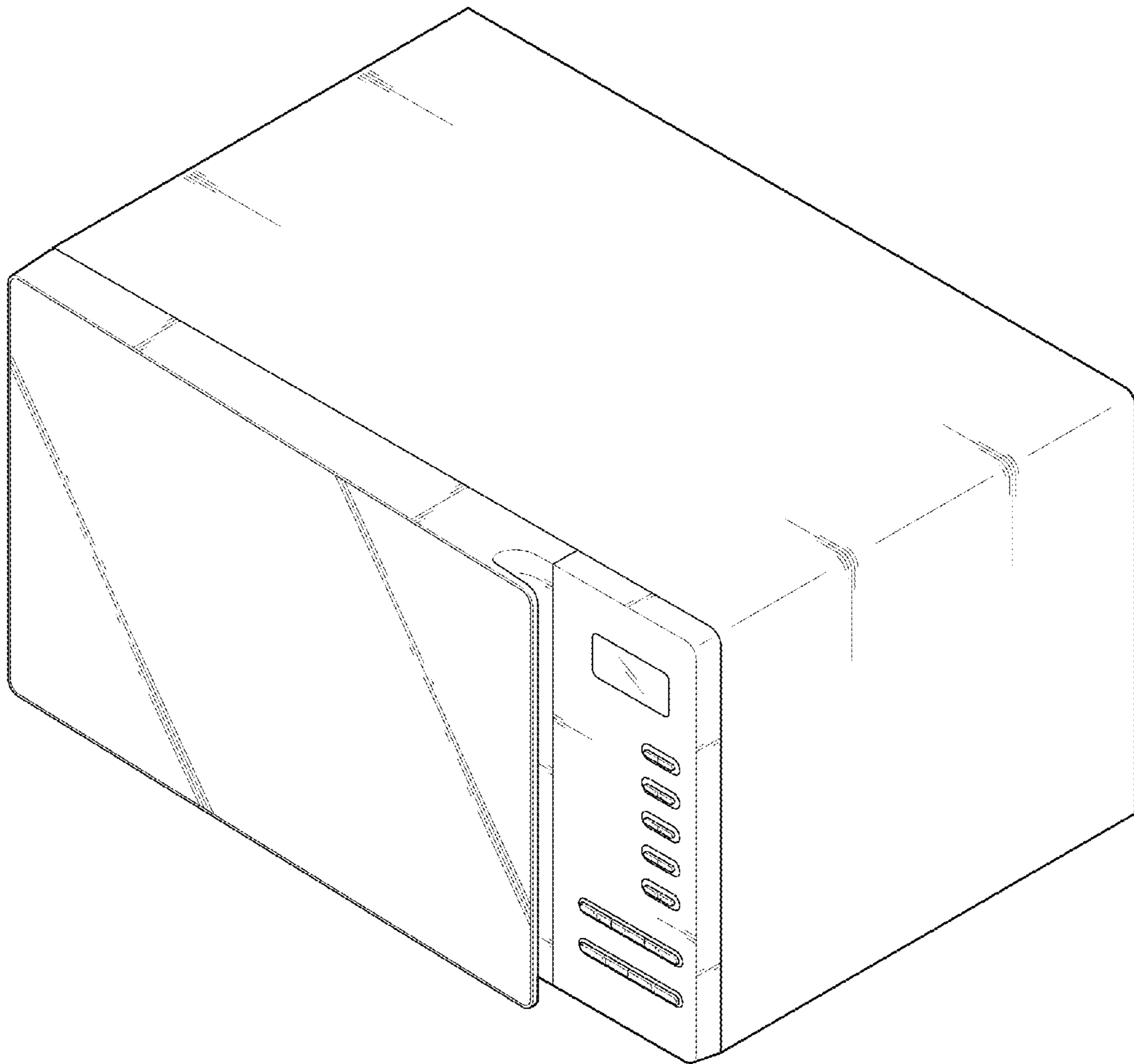


FIG. 2

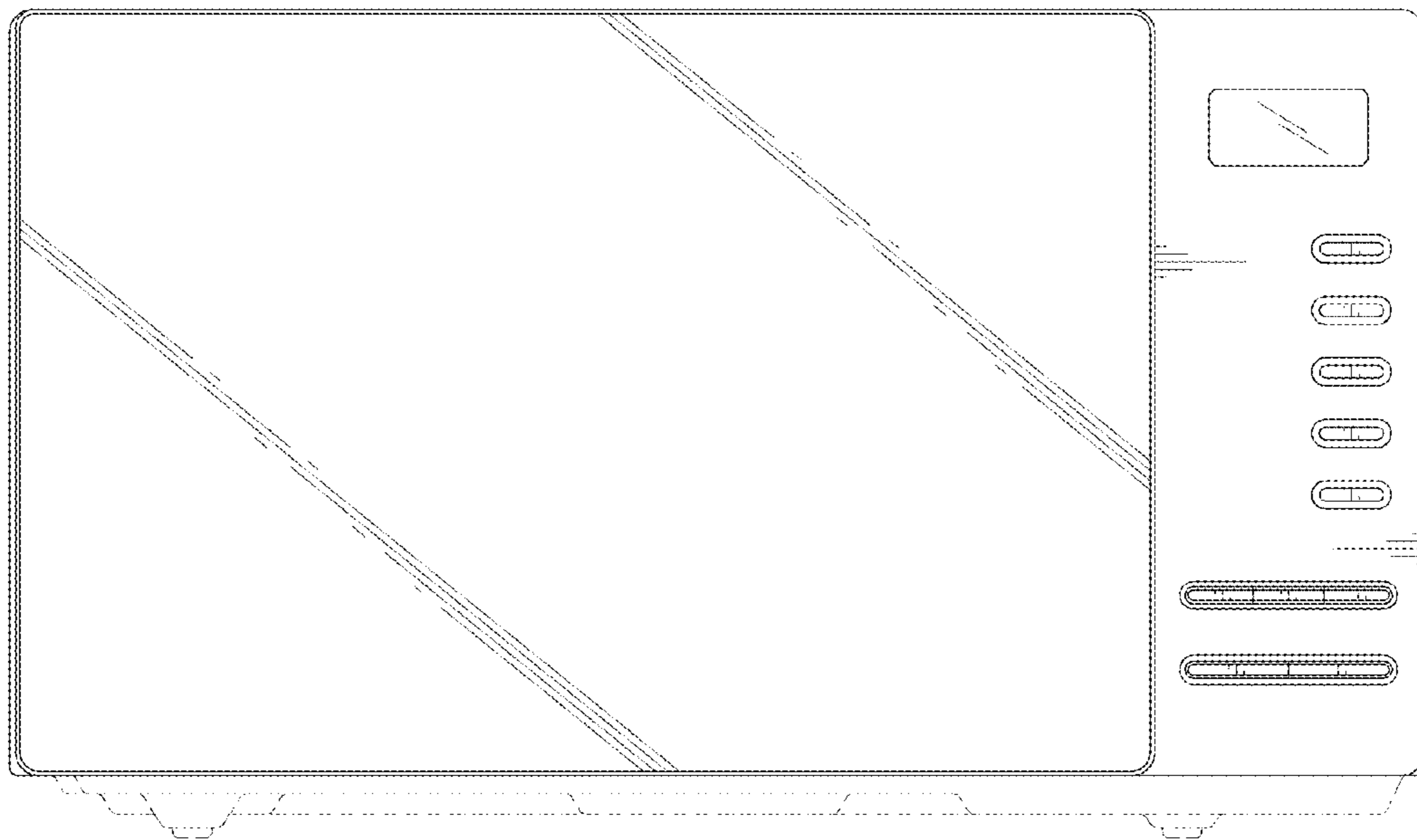


FIG. 3



FIG. 4

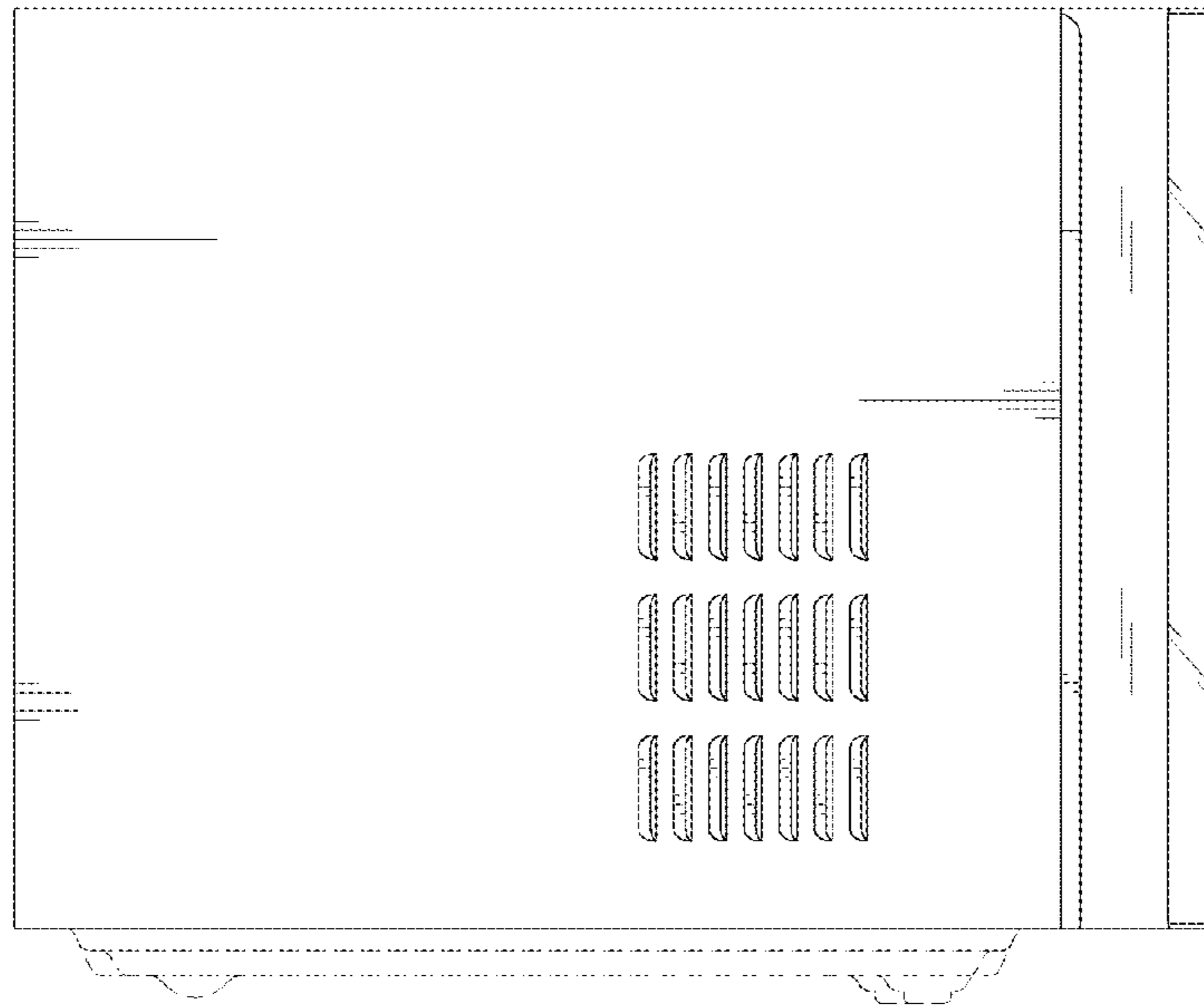


FIG. 5

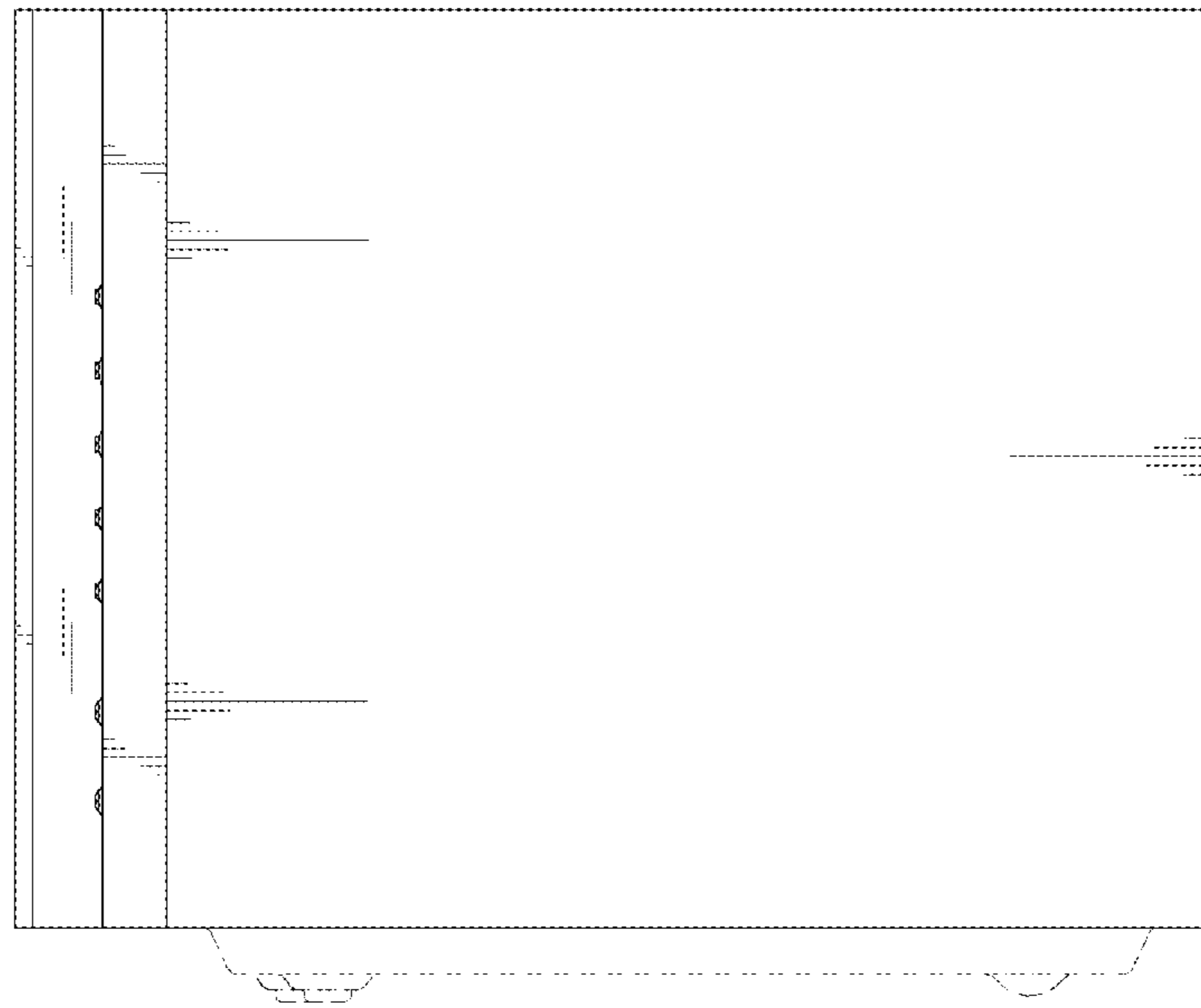


FIG. 6

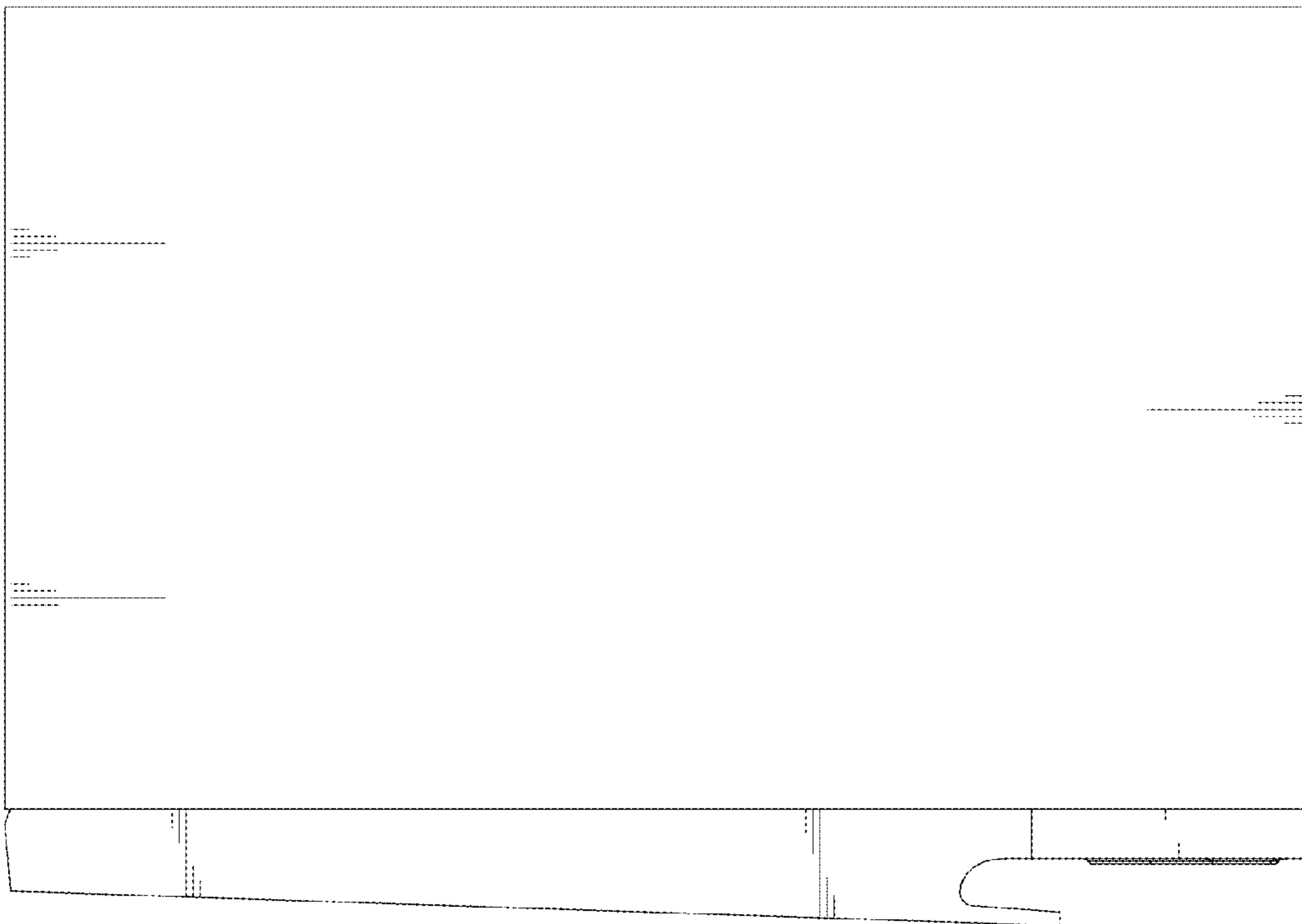


FIG. 7

