



US00D708467S

(12) **United States Design Patent**
Zakel

(10) **Patent No.:** **US D708,467 S**

(45) **Date of Patent:** **** Jul. 8, 2014**

(54) **BED RAIL**

(71) Applicant: **Invacare Corporation**, Elyria, OH (US)

(72) Inventor: **Matthew A. Zakel**, Avon Lake, OH (US)

(73) Assignee: **Invacare Corporation**, Elyria, OH (US)

(**) Term: **14 Years**

(21) Appl. No.: **29/448,917**

(22) Filed: **Mar. 14, 2013**

(51) **LOC (10) Cl.** **06-06**

(52) **U.S. Cl.**
USPC **D6/718.3**

(58) **Field of Classification Search**
USPC D6/382, 392, 718, 718.3; 5/600, 658,
5/424-426, 428, 429, 662
See application file for complete search history.

(56) **References Cited**

U.S. PATENT DOCUMENTS

2,763,014 A	9/1956	Luger
2,817,854 A	12/1957	Pratt
2,817,855 A	12/1957	Pratt
2,904,799 A	9/1959	Berlin
2,929,078 A	3/1960	Smith et al.
2,979,738 A	4/1961	Goldberg
3,002,200 A	10/1961	Murcott
3,021,534 A	2/1962	Hausted
3,032,781 A	5/1962	Constanti
3,055,020 A	9/1962	Mann
3,104,402 A	9/1963	Johnson
3,125,769 A	3/1964	Black et al.
3,585,659 A	6/1971	Burst et al.
3,604,024 A	9/1971	Polanski
3,832,428 A	8/1974	Ryan

3,930,273 A	1/1976	Stern
3,971,083 A	7/1976	Peterson
4,022,502 A	5/1977	Smith et al.
4,186,456 A	2/1980	Huempfer

(Continued)

FOREIGN PATENT DOCUMENTS

JP	09209337	12/1998
WO	2005/034689	4/2005

OTHER PUBLICATIONS

Invacare Bed Rail Selection Chart; Form No. 11-122 110512, copy-right 2011.

(Continued)

Primary Examiner — Janice Seeger

(74) *Attorney, Agent, or Firm* — Calfree, Halter & Griswold LLP

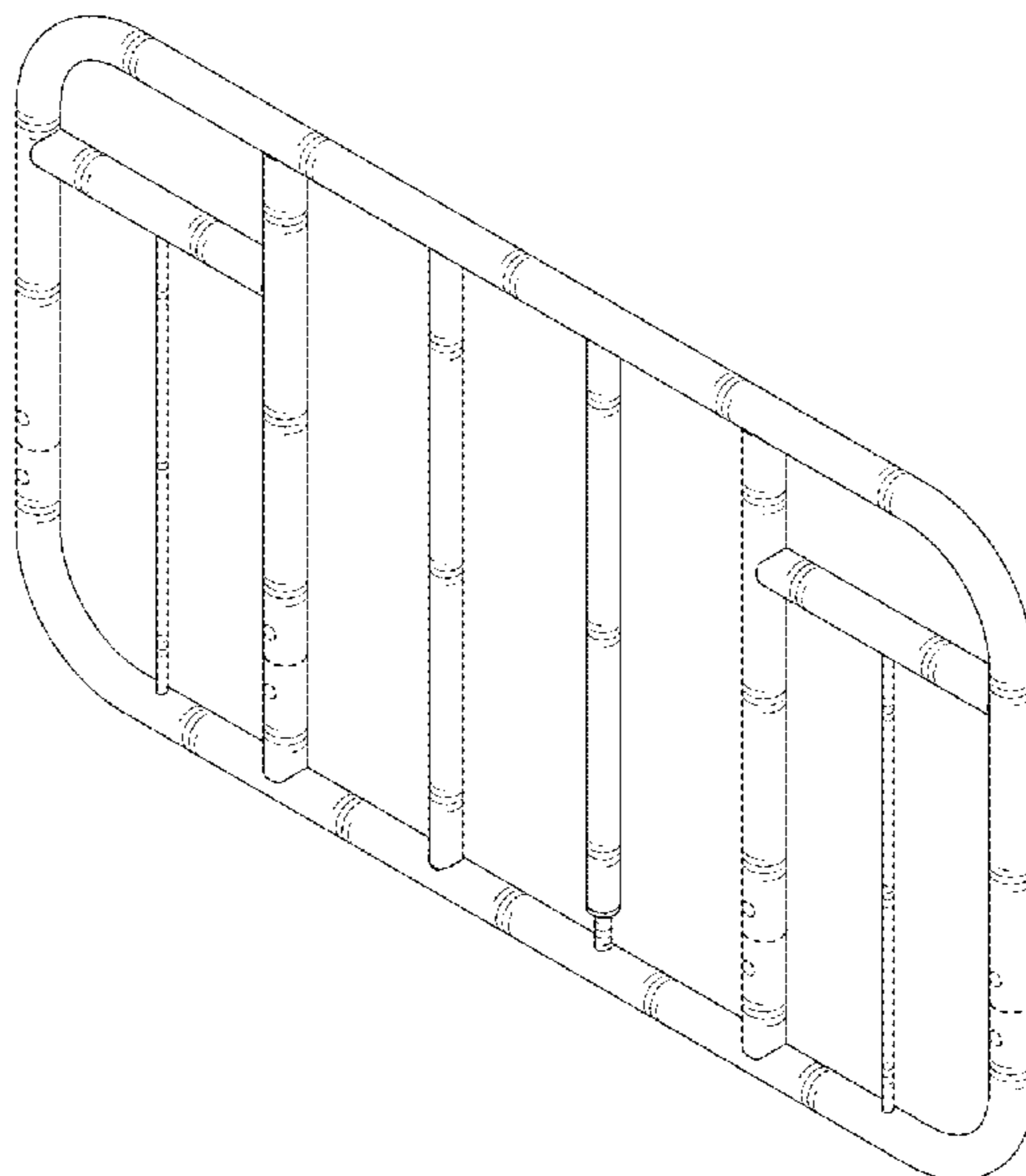
(57) **CLAIM**

I claim the ornamental design for a bed rail, as shown and described.

DESCRIPTION

FIG. 1 is a front perspective view of a bed rail of the new design;
FIG. 2 is a top plan view of the bed rail of FIG. 1;
FIG. 3 is a front elevational view of the bed rail of FIG. 1;
FIG. 4 is a bottom plan view of the bed rail of FIG. 1;
FIG. 5 is a left side elevational view of the bed rail of FIG. 1;
FIG. 6 is a rear elevational view of the bed rail of FIG. 1; and,
FIG. 7 is a right side elevational view of the bed rail of FIG. 1.
The portions of the Figures shown in broken lines are for illustrative purpose only and form no part of the claimed design.

1 Claim, 3 Drawing Sheets



(56)

References Cited

U.S. PATENT DOCUMENTS

4,332,042	A	6/1982	Koncelik
4,612,679	A	9/1986	Mitchell
4,724,559	A	2/1988	Bly et al.
4,811,436	A	3/1989	Schwartz
4,993,089	A	2/1991	Solomon et al.
5,020,169	A	6/1991	Hamada et al.
5,038,430	A	8/1991	Bly
5,044,025	A	9/1991	Hunsinger et al.
5,216,768	A	6/1993	Bodine et al.
5,381,571	A	1/1995	Gabhart
5,384,927	A	1/1995	Mardero et al.
5,394,580	A	3/1995	Foster et al.
5,640,726	A	6/1997	Fichner-Rathus
5,678,267	A	10/1997	Kinder
5,740,568	A	4/1998	Elliott
6,058,531	A	5/2000	Carroll
6,519,794	B1	2/2003	Aarestad et al.
7,003,824	B2	2/2006	Roussy

7,845,032	B2 *	12/2010	Chambers et al.	5/600
2002/0138904	A1 *	10/2002	Wong	5/600
2003/0093860	A1	5/2003	Kramer et al.	
2006/0195986	A1 *	9/2006	Hakamiun et al.	5/600
2007/0083994	A1 *	4/2007	Miller	5/662
2007/0136949	A1 *	6/2007	Richards et al.	5/600
2008/0127415	A1 *	6/2008	Ruschke et al.	5/428

OTHER PUBLICATIONS

Invacare Parts Catalog; Bed Rails; Form No. 92-048; copyright 2013.
 International Search Report and Written Opinion from International
 Application No. PCT/US2004/03200, date of mailing Mar. 4, 2005.
 Advertisement of Invacare Corp. for Models 6625 & 6628 Bed Side
 Rails; copyright 2011. reprinted from web site Apr. 17, 2014.
 Invacare Corporation—Product Catalog; “Bed Rails;” website print-
 out; [http://www.invacare.com/cgi-bin/imhdqprd/inv_catalog/
 prod_cat.jsp?s=0&catOAI=5368](http://www.invacare.com/cgi-bin/imhdqprd/inv_catalog/prod_cat.jsp?s=0&catOAI=5368); 3 pages; copyright 2013,
 reprinted from web site Apr. 17, 2014.

* cited by examiner

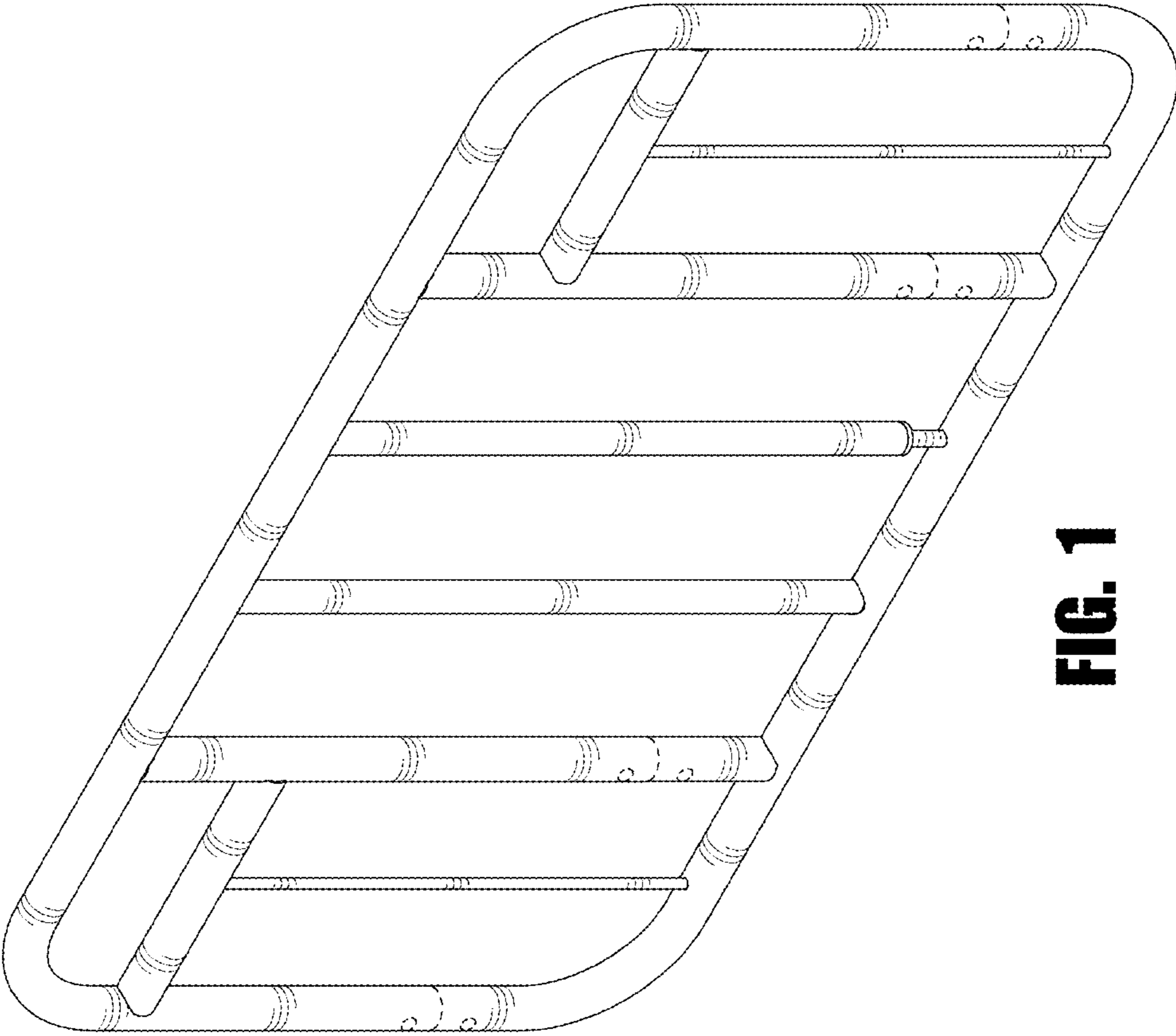


FIG. 1

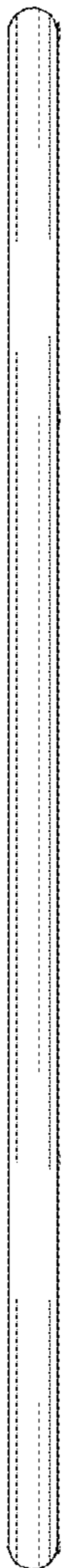


FIG. 2

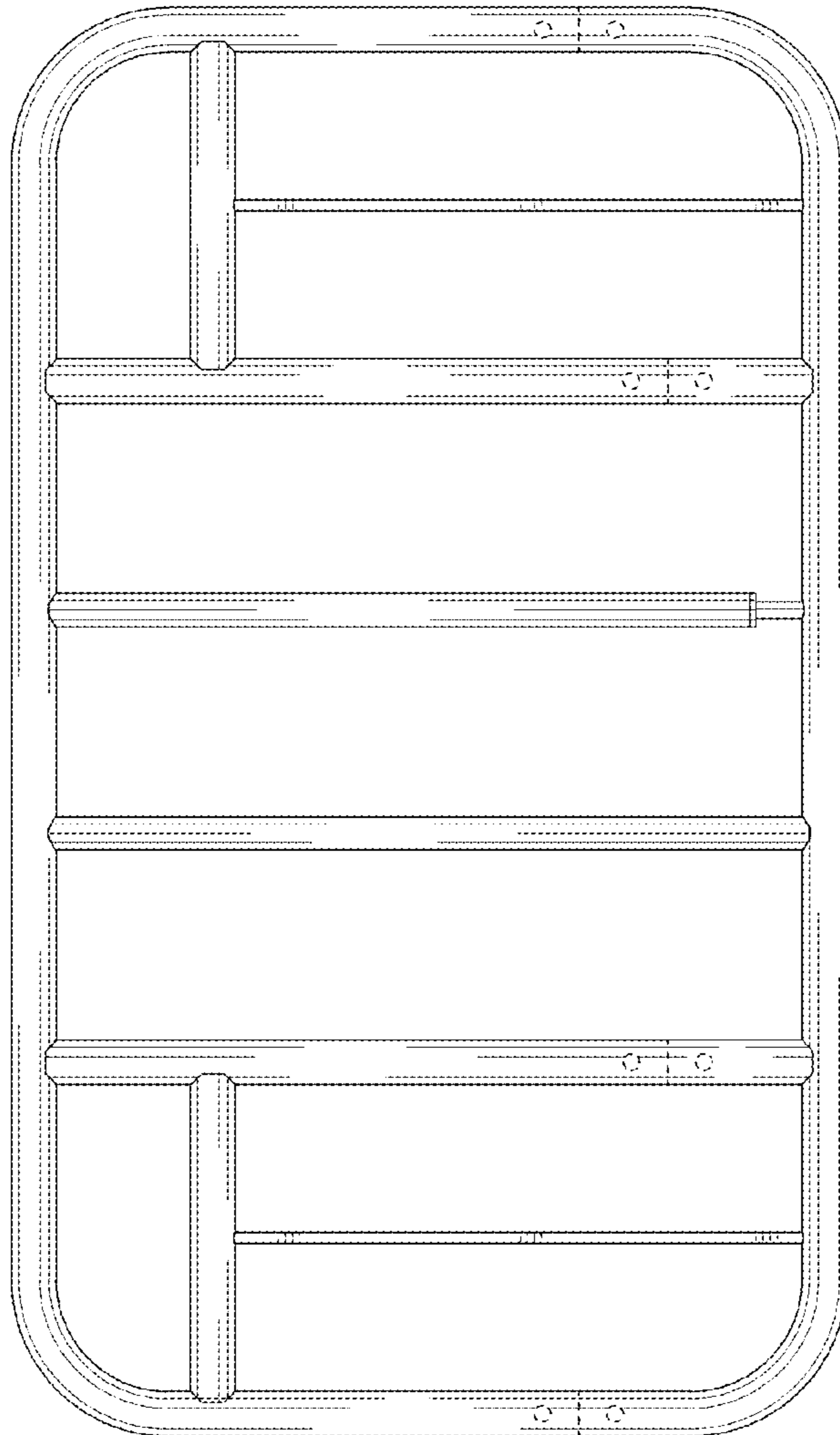


FIG. 3



FIG. 4

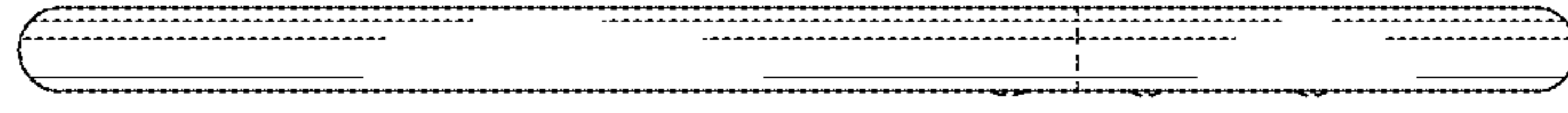


FIG. 7

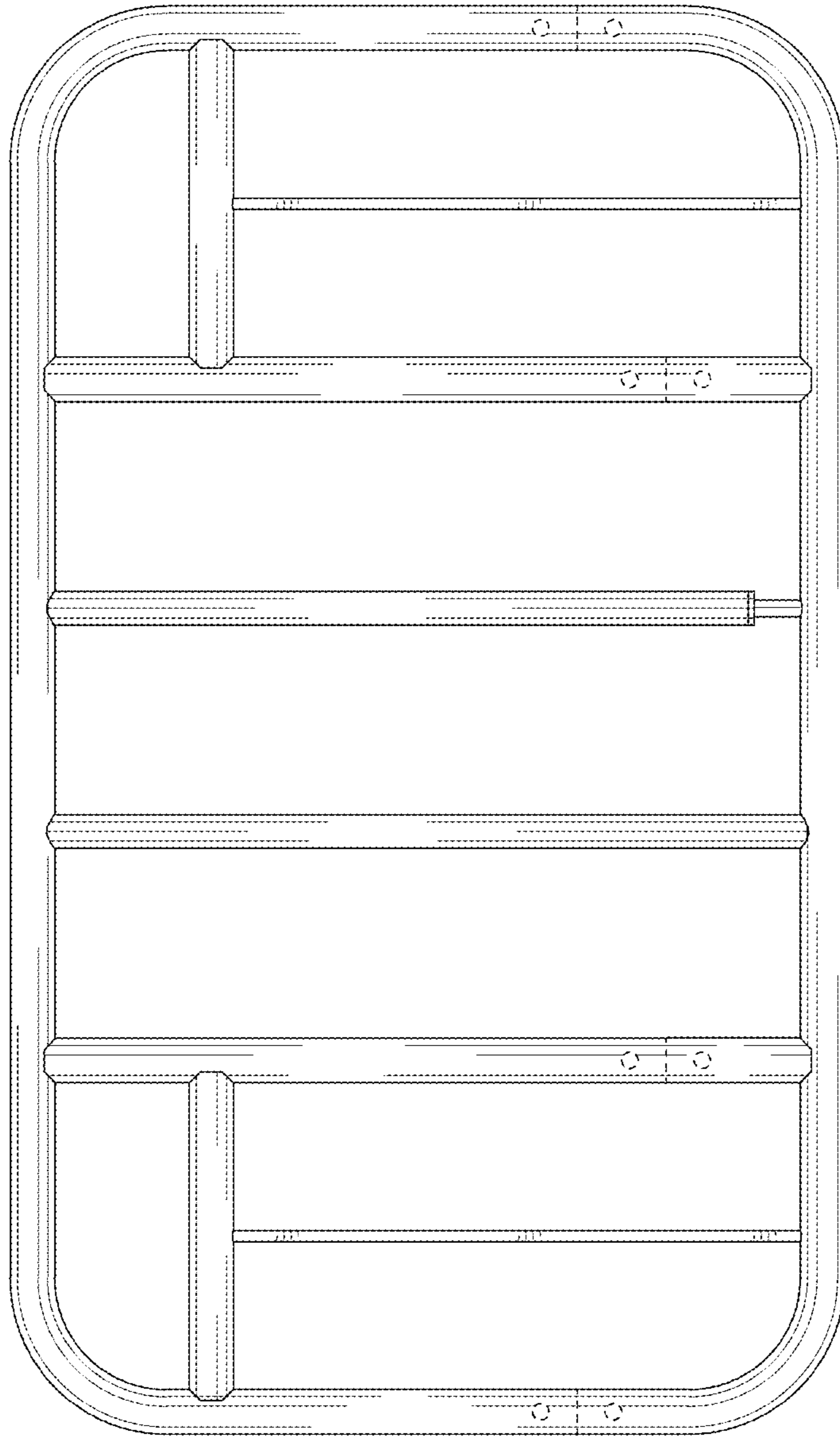


FIG. 6

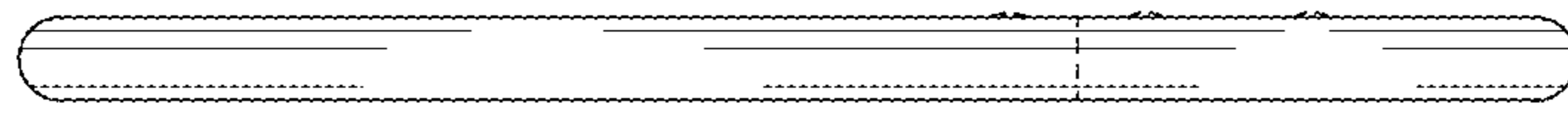


FIG. 5