



US00D708465S

(12) **United States Design Patent**
Walsh et al.

(10) **Patent No.:** **US D708,465 S**
(45) **Date of Patent:** **** Jul. 8, 2014**

(54) **SLATED SEATING FOLDING CHAIR**

(71) Applicants: **Robert J. Walsh**, Tobyhanna, PA (US);
Andrew Haingaertner, Rogers, AR (US)

(72) Inventors: **Robert J. Walsh**, Tobyhanna, PA (US);
Andrew Haingaertner, Rogers, AR (US)

(**) Term: **14 Years**

(21) Appl. No.: **29/444,675**

(22) Filed: **Feb. 1, 2013**

(51) **LOC (10) Cl.** **06-01**

(52) **U.S. Cl.**
USPC **D6/716**

(58) **Field of Classification Search**
CPC A47C 4/00; A47C 4/28; A47C 4/30;
A47C 4/38; A47C 4/42; A47C 4/48; A47C
4/52; A47C 4/286; A47C 7/282; F16M 11/38
USPC D6/334-336, 367, 368, 366, 370, 374,
D6/375, 379, 716, 716.1, 716.2, 716.3,
D6/716.4; 297/16.2, 45, 46, 55, 56, 57,
297/440.11, 452.13; 248/164
See application file for complete search history.

(56) **References Cited**

U.S. PATENT DOCUMENTS

D109,239	S *	4/1938	Wolpin	D6/370
D199,621	S *	11/1964	Johnson	D6/374
4,014,591	A *	3/1977	Gittings	A47C 4/00
D334,299	S *	3/1993	Embree	D6/379
D432,325	S *	10/2000	Zheng et al.	D6/368
D432,823	S *	10/2000	Zheng	D6/716
6,419,311	B1 *	7/2002	Tang	297/45

D468,939	S *	1/2003	Zheng	D6/716
D469,643	S *	2/2003	Wu	D6/716
6,755,462	B2 *	6/2004	Zheng	A47C 4/48
6,779,838	B2 *	8/2004	Chang	A47C 4/286
6,899,383	B2 *	5/2005	Hwang	A47C 4/286
7,017,985	B2	3/2006	Chen	397/56
D607,223	S *	1/2010	Adams et al.	D6/370
7,717,503	B1 *	5/2010	Watson	A47C 4/286
D689,311	S *	9/2013	Day	D6/716
2003/0052518	A1 *	3/2003	Zheng	A47C 4/286
2004/0007903	A1 *	1/2004	Chang	A47C 4/286
2004/0036323	A1 *	2/2004	Hwang	A47C 4/00
2004/0113476	A1 *	6/2004	Chang	A47C 4/286
2008/0315660	A1 *	12/2008	Spicer	A47C 7/282
2010/0283295	A1 *	11/2010	Smith et al.	A47C 4/286

* cited by examiner

Primary Examiner — Mimoso De

(74) *Attorney, Agent, or Firm* — Keisling & Pieper PLC;
David Pieper

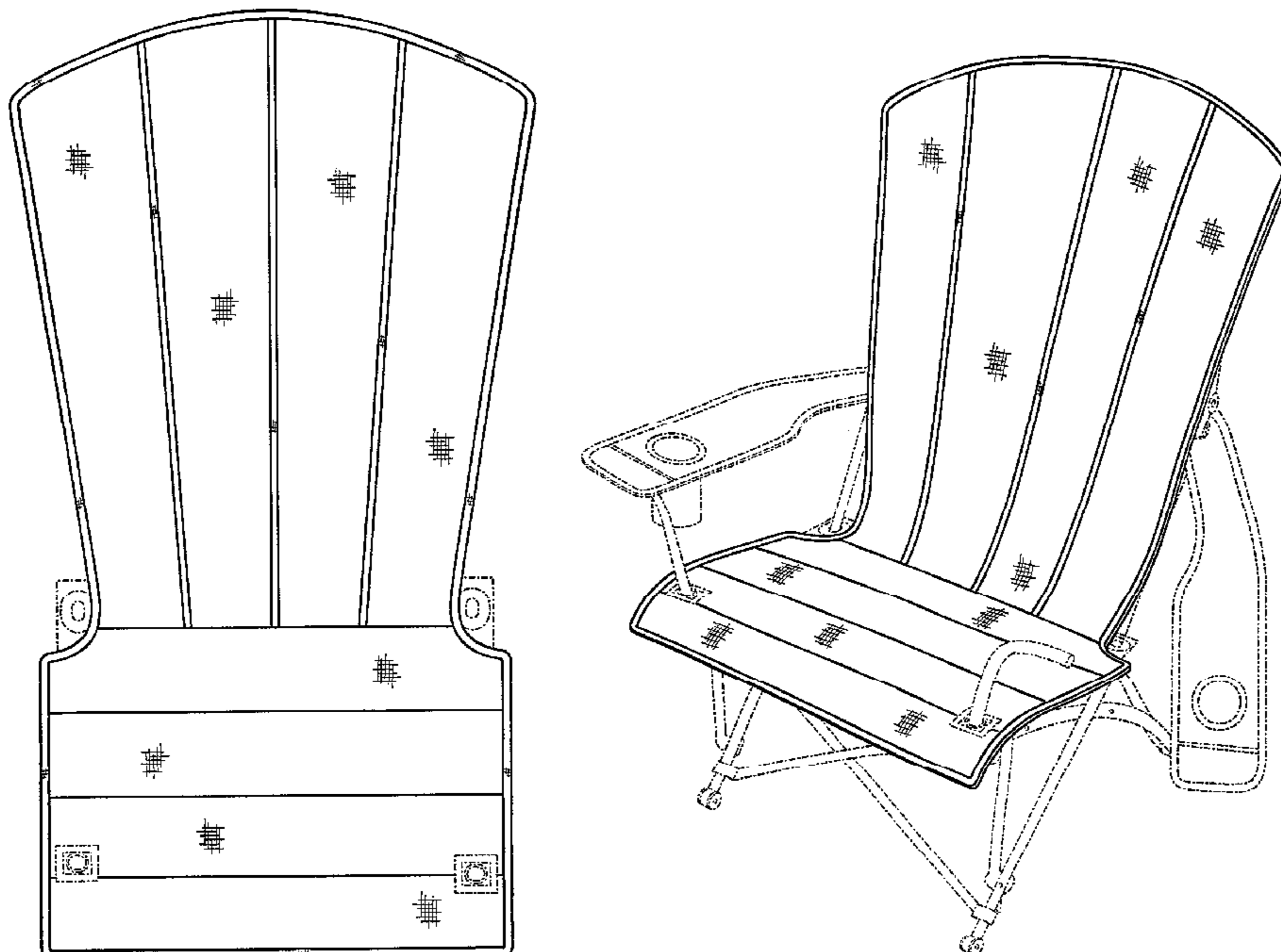
(57) **CLAIM**

The ornamental design for a slated seating folding chair, as shown and described.

DESCRIPTION

FIG. 1 is an front view of the slated seating folding chair;
FIG. 2 is an right side view with the opposite side being a mirror image thereof;
FIG. 3 is a top view thereof;
FIG. 4 is a bottom view thereof;
FIG. 5 is a back view thereof; and,
FIG. 6 is an perspective environmental view of the slated seating folding chair showing our new design. The broken lines in the figure provide environmental structure or boundaries that form no part of the claimed design.

1 Claim, 3 Drawing Sheets



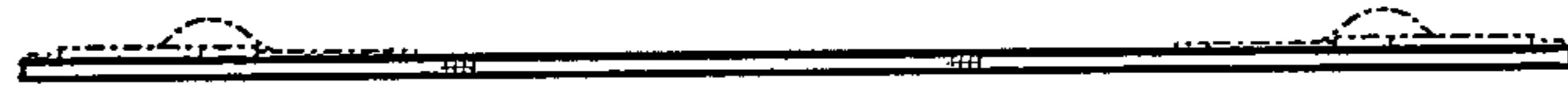


FIG. 3

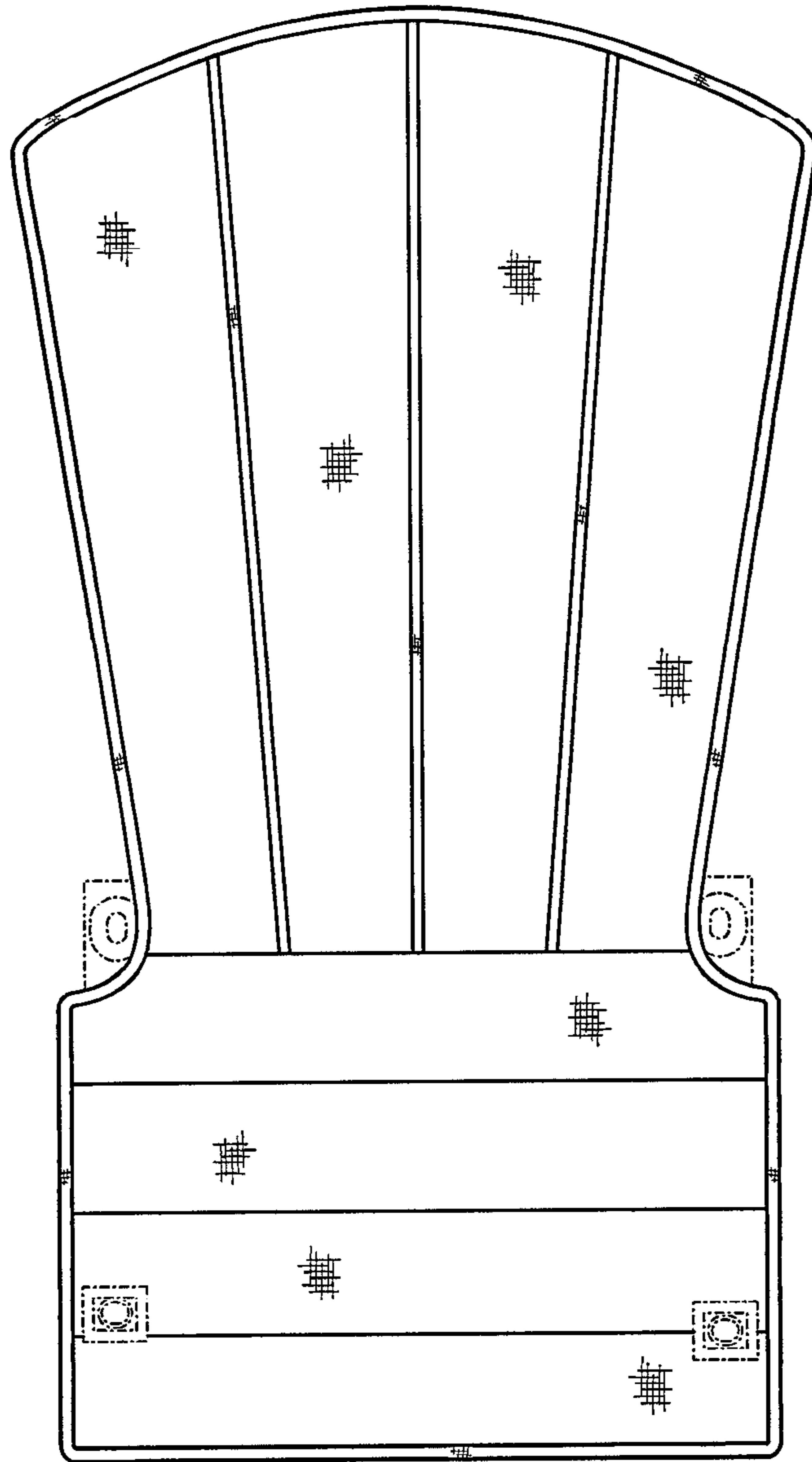


FIG. 1



FIG. 2

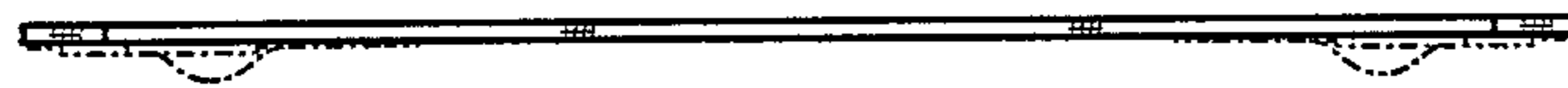


FIG. 4

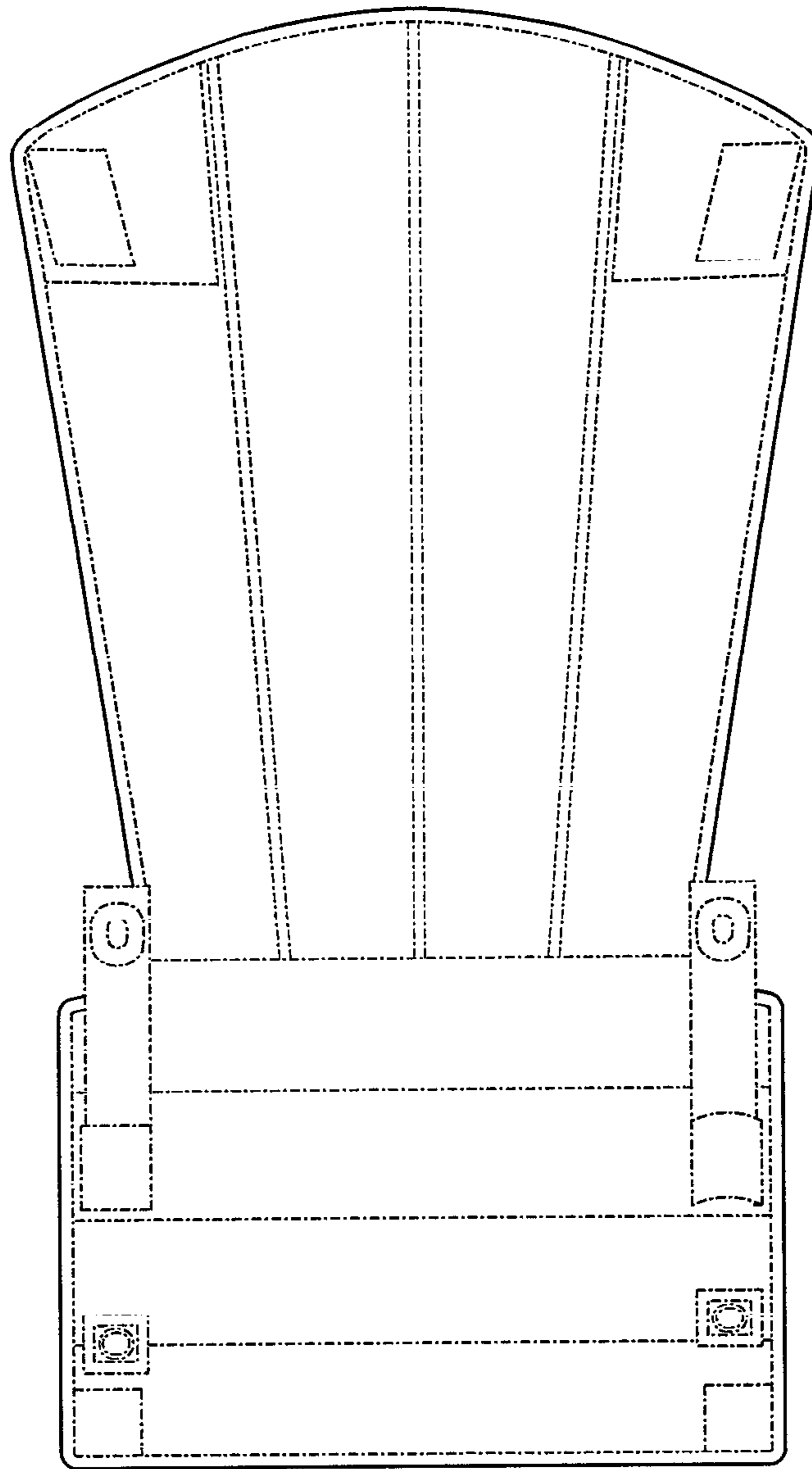


FIG. 5

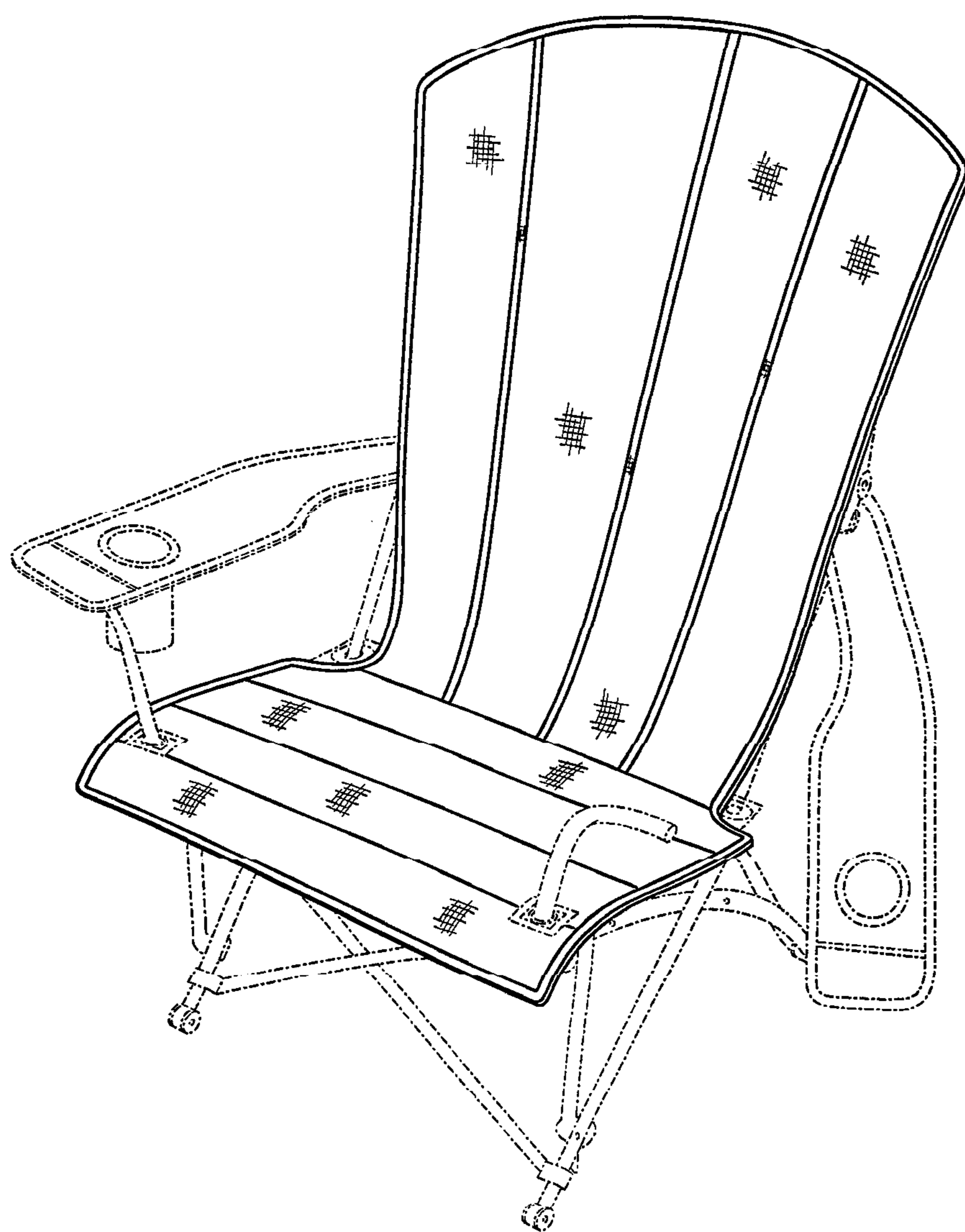


FIG. 6