



US00D708464S

(12) **United States Design Patent**  
**Gokhale**

(10) **Patent No.:** **US D708,464 S**  
(45) **Date of Patent:** **\*\* Jul. 8, 2014**

(54) **CHAIR WITH TRACTION FEATURES**

(71) Applicant: **Esther Gokhale**, Stanford, CA (US)

(72) Inventor: **Esther Gokhale**, Stanford, CA (US)

(73) Assignee: **Esther Gokhale**, Stanford, CA (US)

(\*\*) Term: **14 Years**

(21) Appl. No.: **29/442,352**

(22) Filed: **Feb. 11, 2013**

(51) **LOC (10) Cl.** ..... **06-01**

(52) **U.S. Cl.**  
USPC ..... **D6/716; D6/366**

(58) **Field of Classification Search**

CPC ..... B60N 2/66; A47C 7/402; A47C 1/032;  
A47C 7/46; A47C 7/022; A47C 7/18; A47C  
7/40; A61H 2201/0207; A61H 15/00; A61H  
15/0078

USPC ..... D6/334-336, 360, 364, 365, 366, 367,  
D6/374, 379, 380, 716, 716.1, 716.2,  
D6/716.3, 716.4; 297/284.4, 284.7, 452.3,  
297/353, 354.1, 452.21, 452.26, 452.29;  
601/15, 115

See application file for complete search history.

(56) **References Cited**

**U.S. PATENT DOCUMENTS**

1,007,985 A	11/1911	Smith	.....	297/284.7
1,322,720 A *	11/1919	Noble	.....	601/115
D216,689 S	3/1970	Isogai	.....	D6/502
3,526,430 A *	9/1970	Eldon	.....	297/353
D226,795 S	5/1973	Johnson	.....	D6/596
3,854,772 A *	12/1974	Abrahamson et al.	..	A47C 7/402
4,676,550 A	6/1987	Neve De Mevergnies	...	297/353
5,027,795 A *	7/1991	Kato	.....	601/15
D366,383 S	1/1996	Briegleb	.....	D6/601
5,481,771 A	1/1996	Burk, IV	.....	5/636
D407,937 S	4/1999	Klimenko	.....	D6/596

D414,644 S	10/1999	Hsu et al.	.....	D6/596
6,260,921 B1	7/2001	Chu et al.	.....	297/284.4
6,305,040 B1	10/2001	Myler	.....	5/636
6,354,664 B1 *	3/2002	Chen	.....	A47C 7/402
6,364,414 B1	4/2002	Specht	.....	297/410
D487,371 S	3/2004	Ward et al.	.....	D6/601
6,807,696 B2	10/2004	Magistretti	.....	5/633
6,921,372 B2	7/2005	Shin	.....	601/134
D529,326 S	10/2006	Martin et al.	.....	D6/601
D535,486 S *	1/2007	Huang	.....	D6/366
D576,414 S *	9/2008	Chen	.....	D6/360
D583,595 S *	12/2008	Knowles et al.	.....	D6/716
7,540,564 B2	6/2009	Gokhale	.....	297/230.14

(Continued)

**FOREIGN PATENT DOCUMENTS**

GB 2107576 A 5/1983

*Primary Examiner* — Mimoso De

(74) *Attorney, Agent, or Firm* — James A. Gavney, Jr.; JAG Patent Services

(57) **CLAIM**

I claim the ornamental design for chair with traction features, as shown and described.

**DESCRIPTION**

FIG. 1 is a perspective view of a chair with traction features showing my new design;

FIG. 2 is a front view of the chair with traction features thereof;

FIG. 3 is a rear view of the chair with traction features in same position thereof;

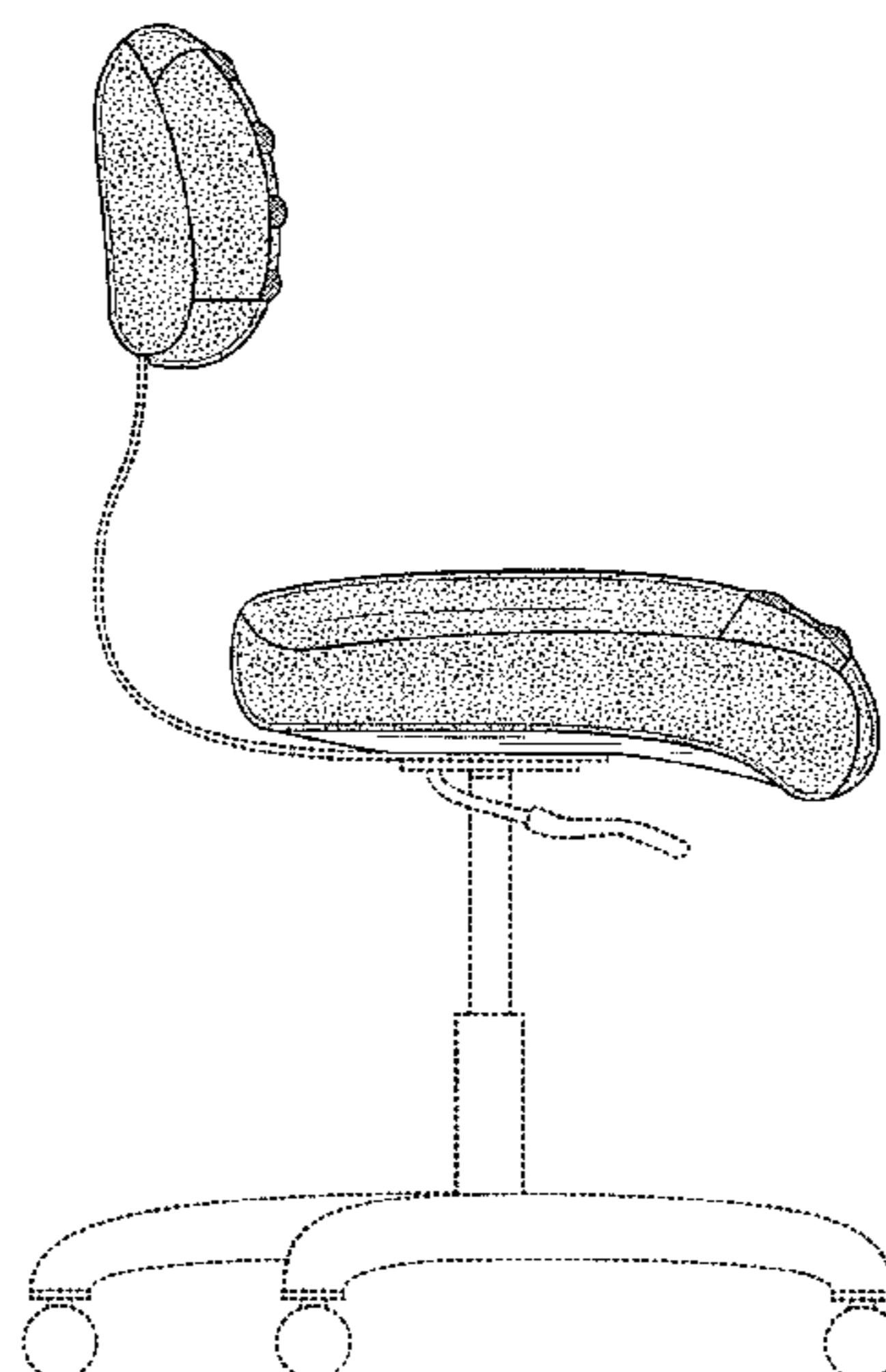
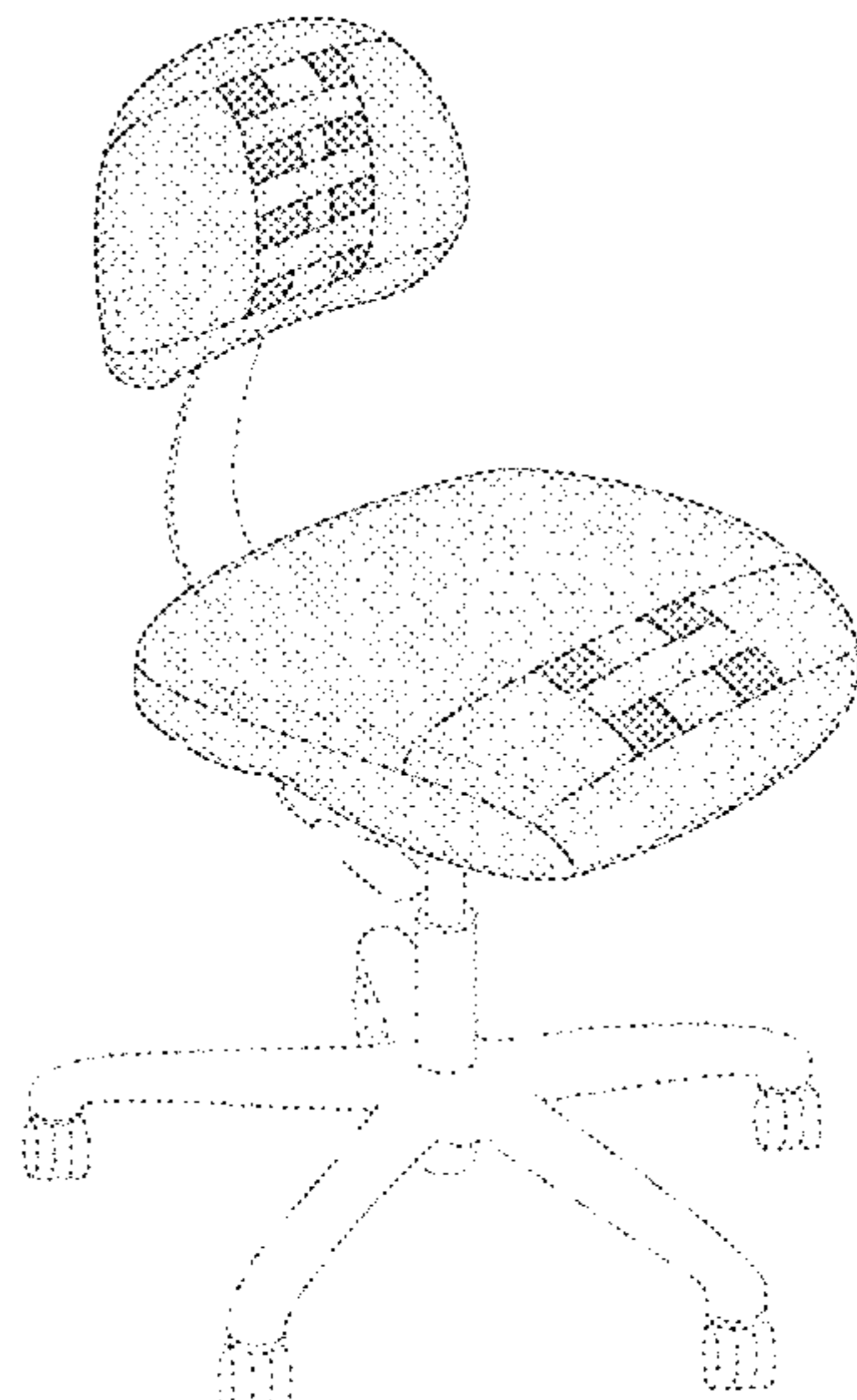
FIG. 4 is a left side view of the chair with traction features thereof;

FIG. 5 is a right side view of the chair with traction features thereof.;

FIG. 6 is a top view of the chair with traction features thereof; and,

FIG. 7 is a bottom view of the chair with traction features thereof.

**1 Claim, 6 Drawing Sheets**



# US D708,464 S

Page 2

---

(56)

## References Cited

### U.S. PATENT DOCUMENTS

		2002/0130541 A1	9/2002	Koo	297/284.7
		2005/0102756 A1	5/2005	Martin	5/636
		2005/0125901 A1	6/2005	Nichols	5/636
D604,084 S	11/2009	Gokhale			D6/601 * cited by examiner

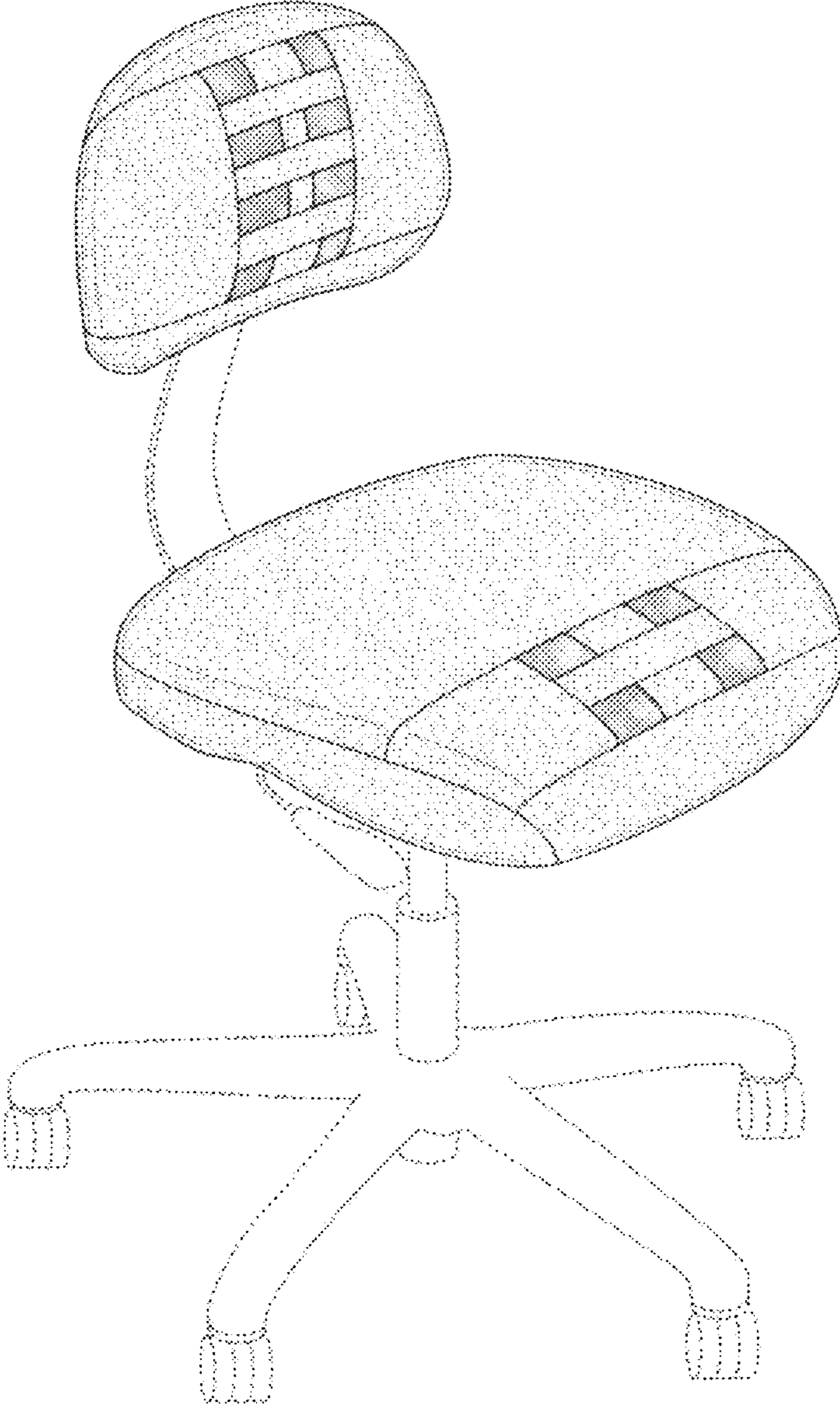


FIG. 1

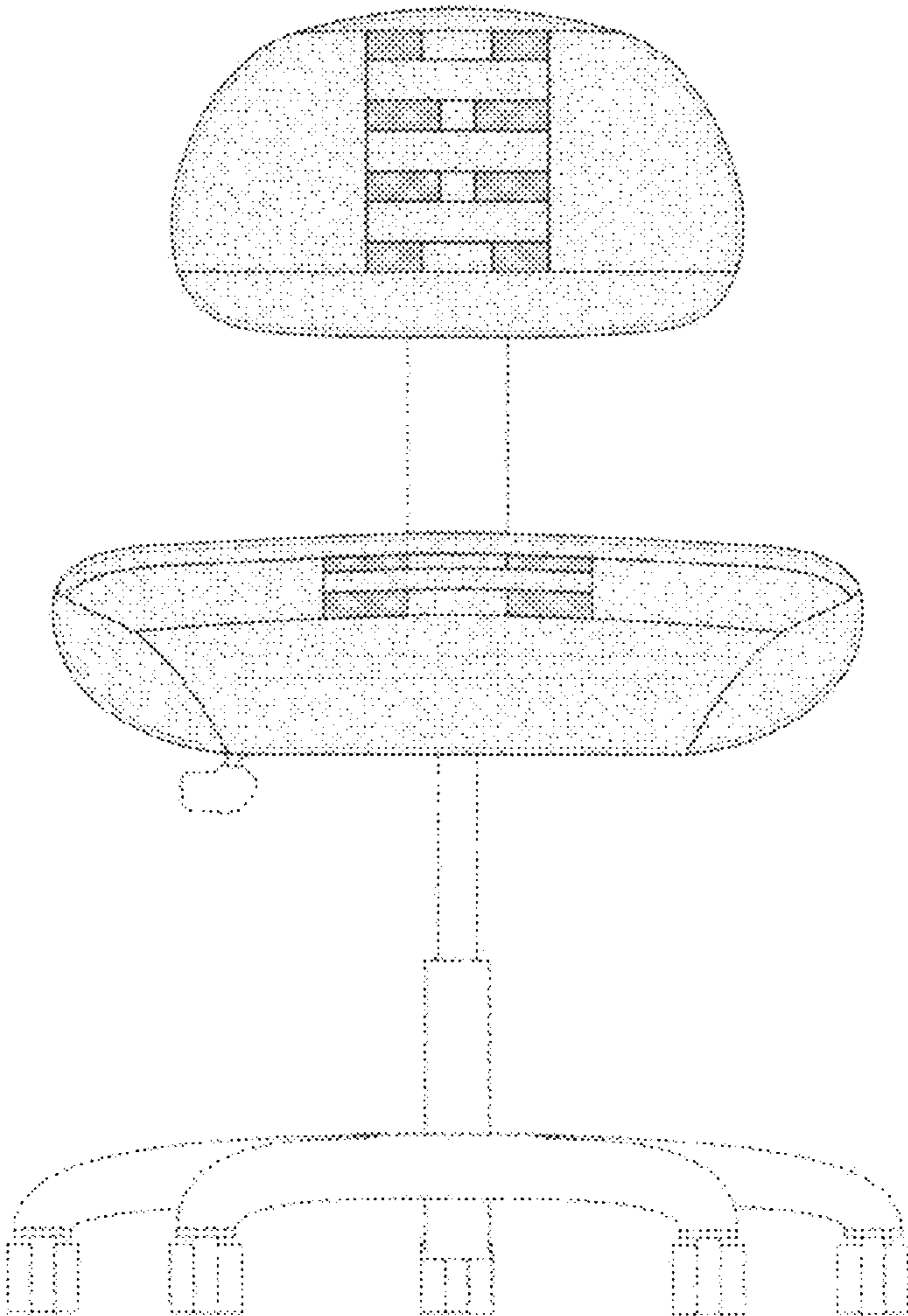


FIG. 2

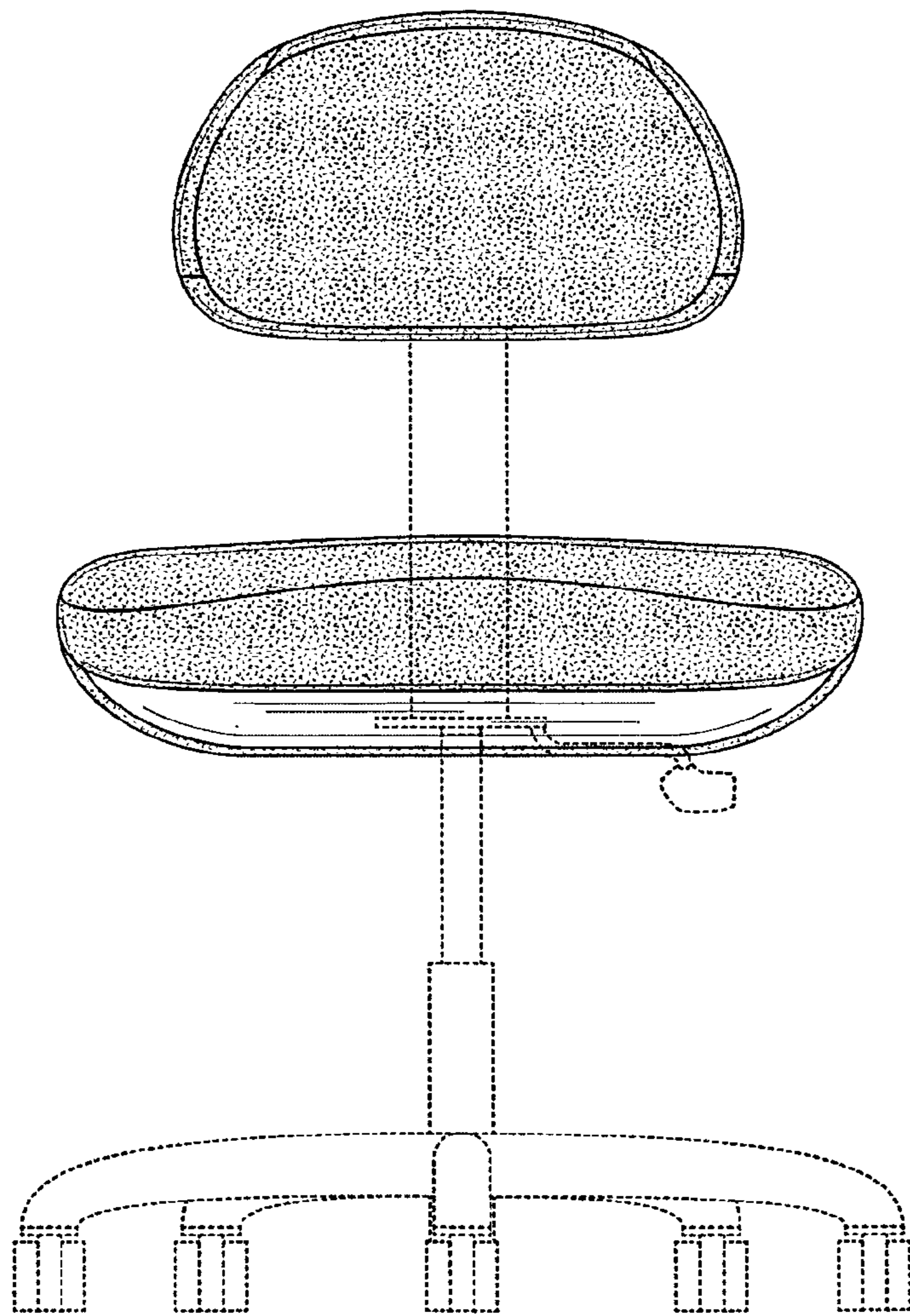


FIG. 3

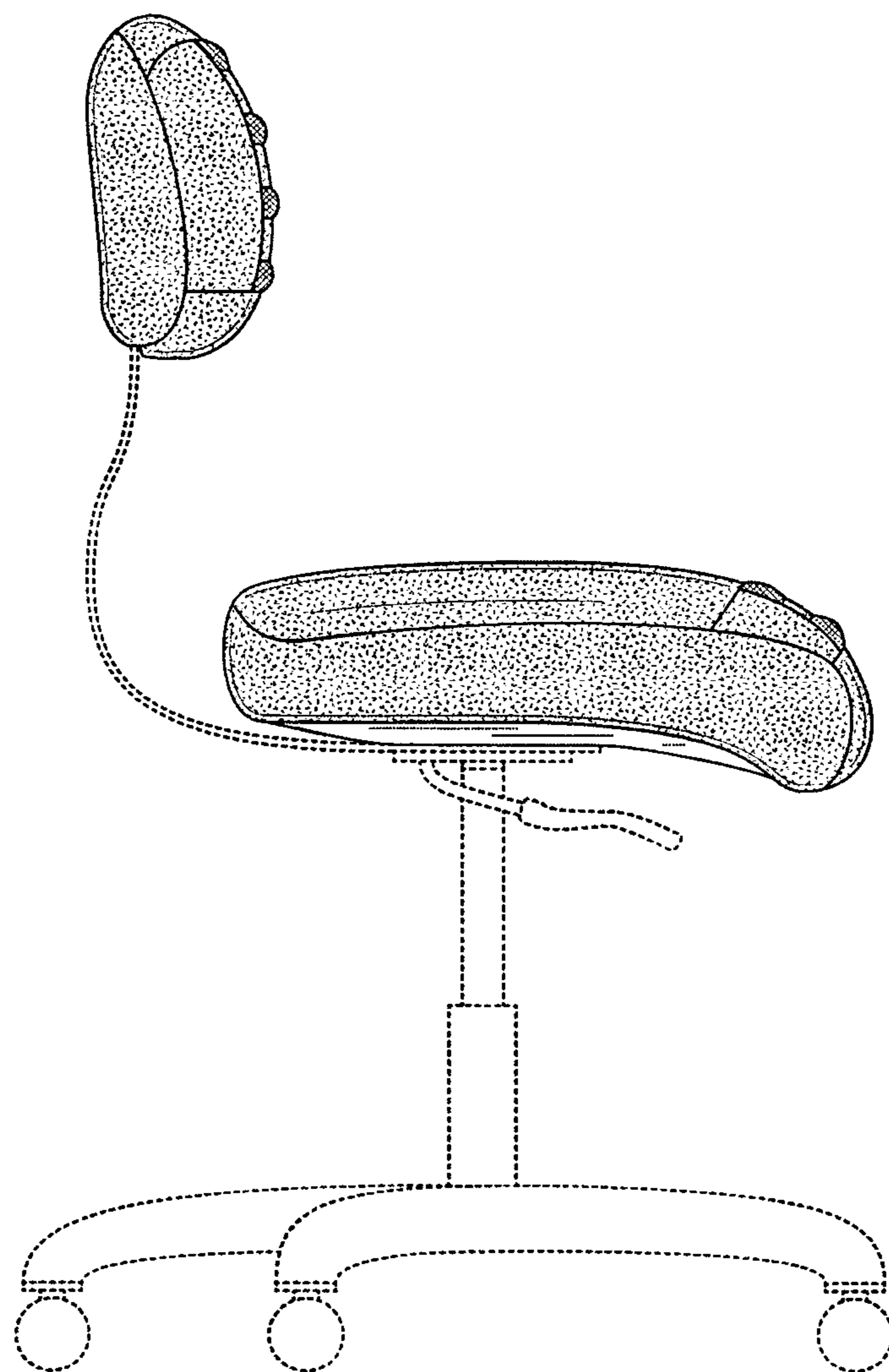


FIG. 4

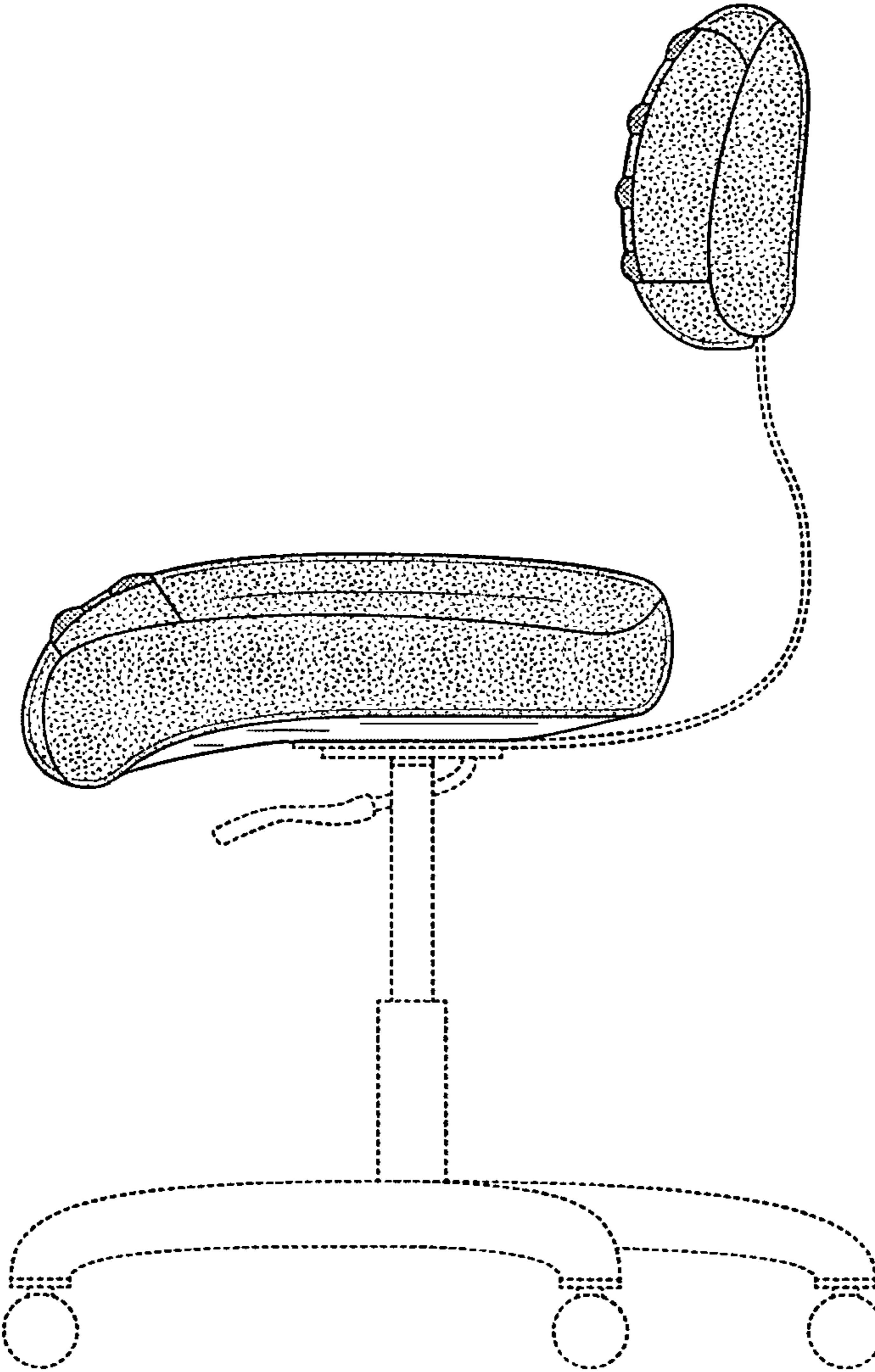


FIG. 5

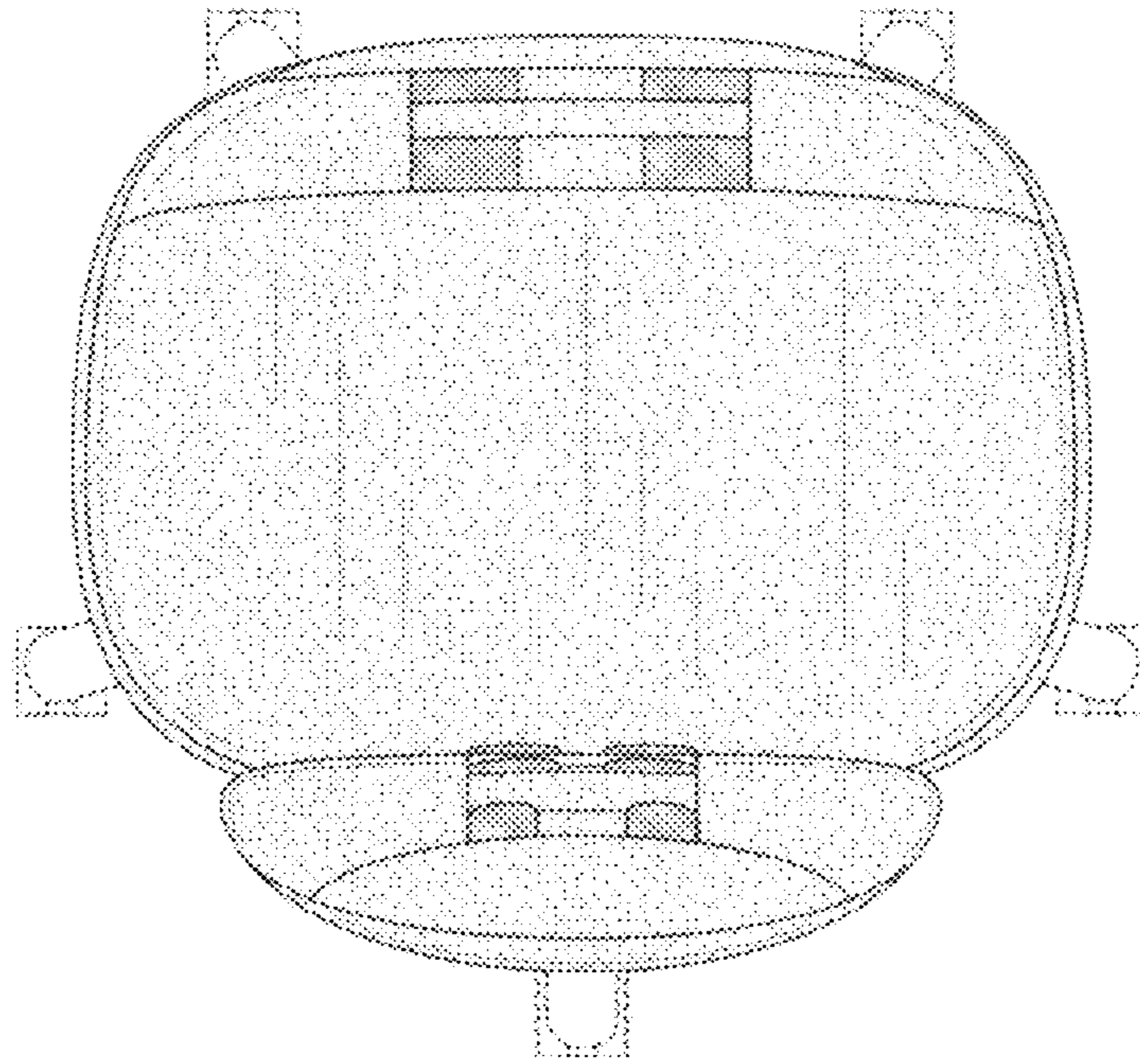


FIG. 6

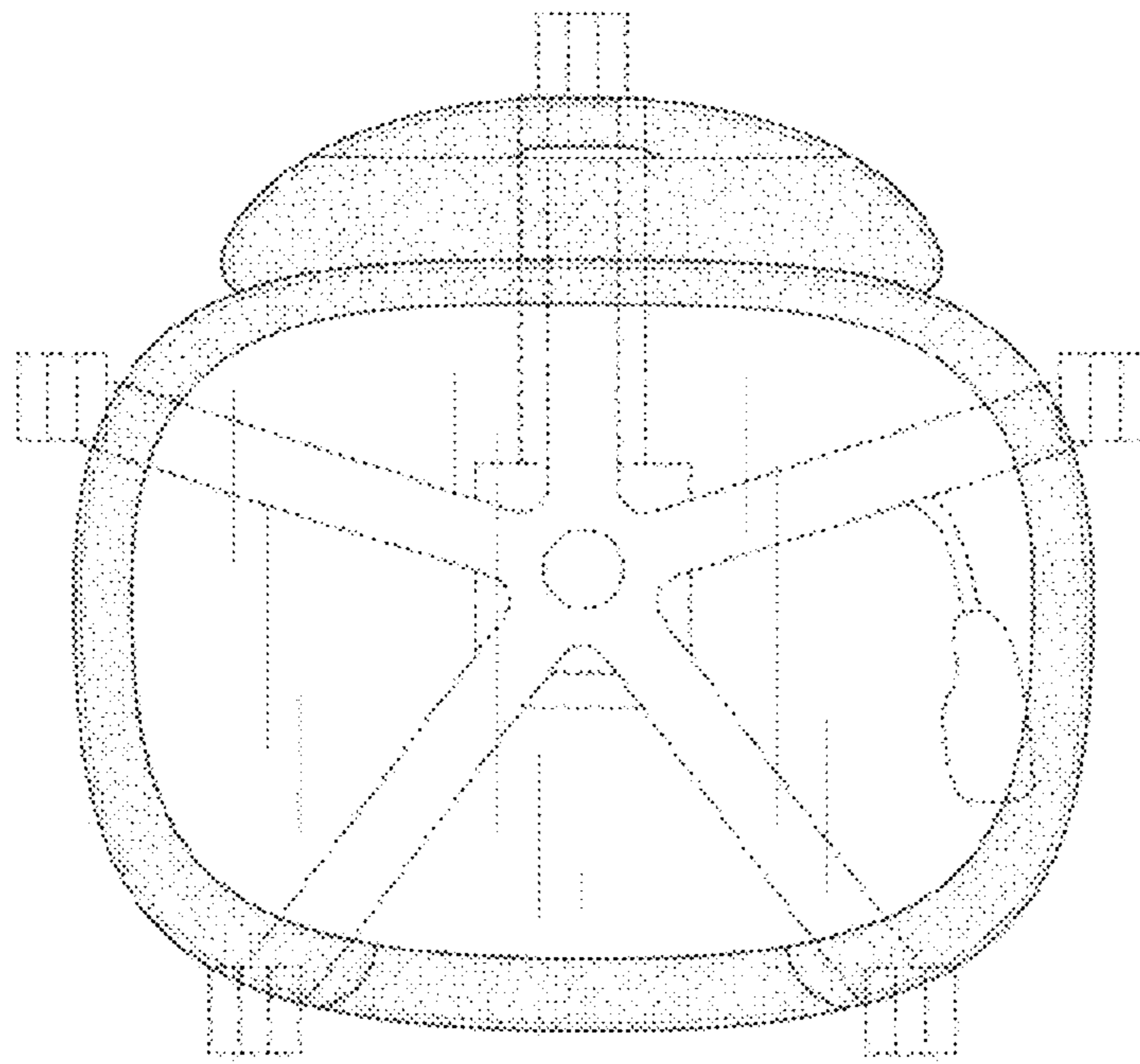


FIG. 7