



US00D708462S

(12) **United States Design Patent**
Nye et al.

(10) **Patent No.:** **US D708,462 S**
(45) **Date of Patent:** **** *Jul. 8, 2014**

- (54) **TABLE TOP**
- (71) Applicant: **Lifetime Products, Inc.**, Clearfield, UT (US)
- (72) Inventors: **S. Curtis Nye**, Clinton, UT (US); **Frank Clegg**, Fruit Heights, UT (US)
- (73) Assignee: **Lifetime Products, Inc.**, Clearfield, UT (US)

- D424,840 S 5/2000 Newhouse
- D468,135 S 1/2003 Ashby et al.
- D471,384 S 3/2003 Sabo et al.
- D476,823 S 7/2003 Jackson
- D477,475 S 7/2003 Moore
- 6,651,568 B1 * 11/2003 Buono 108/127
- D487,205 S 3/2004 Mower et al.
- D489,557 S 5/2004 Strong et al.
- D499,283 S 12/2004 Winter et al.
- D511,637 S 11/2005 Strong

(Continued)

(*) Notice: This patent is subject to a terminal disclaimer.

(**) Term: **14 Years**

(21) Appl. No.: **29/443,363**

(22) Filed: **Jan. 16, 2013**

Related U.S. Application Data

(63) Continuation of application No. 29/412,781, filed on Feb. 7, 2012.

(51) **LOC (10) Cl.** **06-06**

(52) **U.S. Cl.**
USPC **D6/707.2**

(58) **Field of Classification Search**
USPC D6/691, 691.5, 691.6, 707, 707.17, D6/707.19, 656; 108/153.1, 155, 156, 108/157.1, 161, 125, 126, 129, 115, 132
See application file for complete search history.

(56) **References Cited**

U.S. PATENT DOCUMENTS

- D357,144 S 4/1995 Hand
- 5,678,491 A 10/1997 Price et al.
- D414,626 S 10/1999 Collins et al.
- D420,527 S * 2/2000 Pinch et al. D6/429
- D424,838 S 5/2000 Newhouse

OTHER PUBLICATIONS

- U.S. Appl. No. 61/586,710, filed Jan. 13, 2012, Nye, et al.
- U.S. Appl. No. 61/596,153, filed Feb. 7, 2012, Nye, et al.
- U.S. Appl. No. 29/412,781, filed Feb. 7, 2012, Nye, et al.
- U.S. Appl. No. 29/412,786, filed Feb. 7, 2012, Nye, et al.

(Continued)

Primary Examiner — Janice Seeger

(74) *Attorney, Agent, or Firm* — Maschoff Brennan

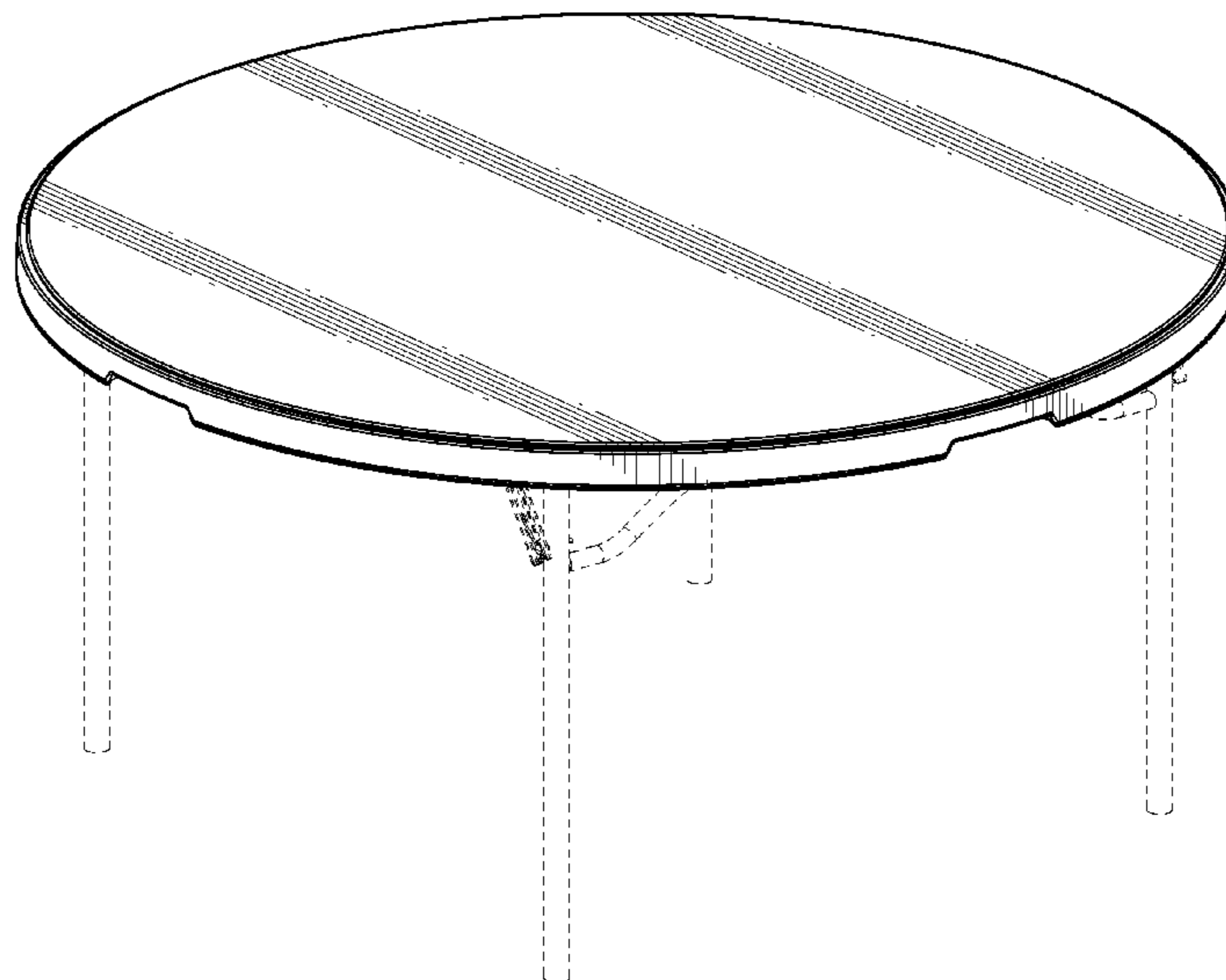
(57) **CLAIM**

The ornamental design for a table top, as shown and described.

DESCRIPTION

FIG. 1 is an upper perspective view of an exemplary table top; FIG. 2 is a rear view of the table top; FIG. 3 is a left side view of the table top; FIG. 4 is a top view of the table top; FIG. 5 is a right side view of the table top; FIG. 6 is a front view of the table top; FIG. 7 is a bottom view of the table top; and, FIG. 8 is an enlarged bottom view of a portion of the table top shown in FIG. 7 illustrated by line 8. The broken lines shown in the figures are for illustrative purposes only and form no part of the claimed design.

1 Claim, 3 Drawing Sheets



(56)

References Cited

OTHER PUBLICATIONS

U.S. PATENT DOCUMENTS

D511,913	S	11/2005	Kearl et al.	
7,299,753	B2	11/2007	Strong	
D575,083	S *	8/2008	Lin	D6/487
7,703,402	B2	4/2010	Larcom et al.	
7,707,947	B2	5/2010	Winter et al.	
7,707,949	B2	5/2010	Larcom et al.	
D619,831	S	7/2010	Branch	
7,757,617	B2	7/2010	Larcom et al.	
D640,487	S	6/2011	Bennett	
8,042,475	B2	10/2011	Larcom et al.	
D683,985	S	6/2013	Nye et al.	
2008/0264307	A1	10/2008	VanNimwegen et al.	
2009/0293778	A1	12/2009	Branch	
2011/0219992	A1 *	9/2011	Galloro	108/115

U.S. Appl. No. 13/741,285, filed Jan. 14, 2013, Nye, et al.
 U.S. Appl. No. 29/390,471, filed Apr. 25, 2011, Winter, et al.
 U.S. Appl. No. 29/391,721, filed May 12, 2011, Bennett.
 U.S. Appl. No. 29/400,986, filed Sep. 5, 2011, Clegg, et al.
 U.S. Appl. No. 29/403,327, filed Oct. 4, 2011, Winter, et al.
 U.S. Appl. No. 29/403,330, filed Oct. 4, 2011, Clegg, et al.
 U.S. Appl. No. 29/403,313, filed Oct. 4, 2011, Clegg, et al.
 U.S. Appl. No. 29/403,332, filed Oct. 4, 2011, Winter, et al.
 U.S. Appl. No. 29/411,483, filed Jan. 20, 2012, Winter, et al.
 U.S. Appl. No. 29/415,705, filed Mar. 13, 2012, Johnson, et al.
 U.S. Appl. No. 29/417,529, filed Apr. 4, 2012, Winter, et al.
 Office Action from U.S. Appl. No. 29/412,781 dated Oct. 18, 2012.
 Office Action from U.S. Appl. No. 29/412,786 dated Oct. 12, 2012.

* cited by examiner

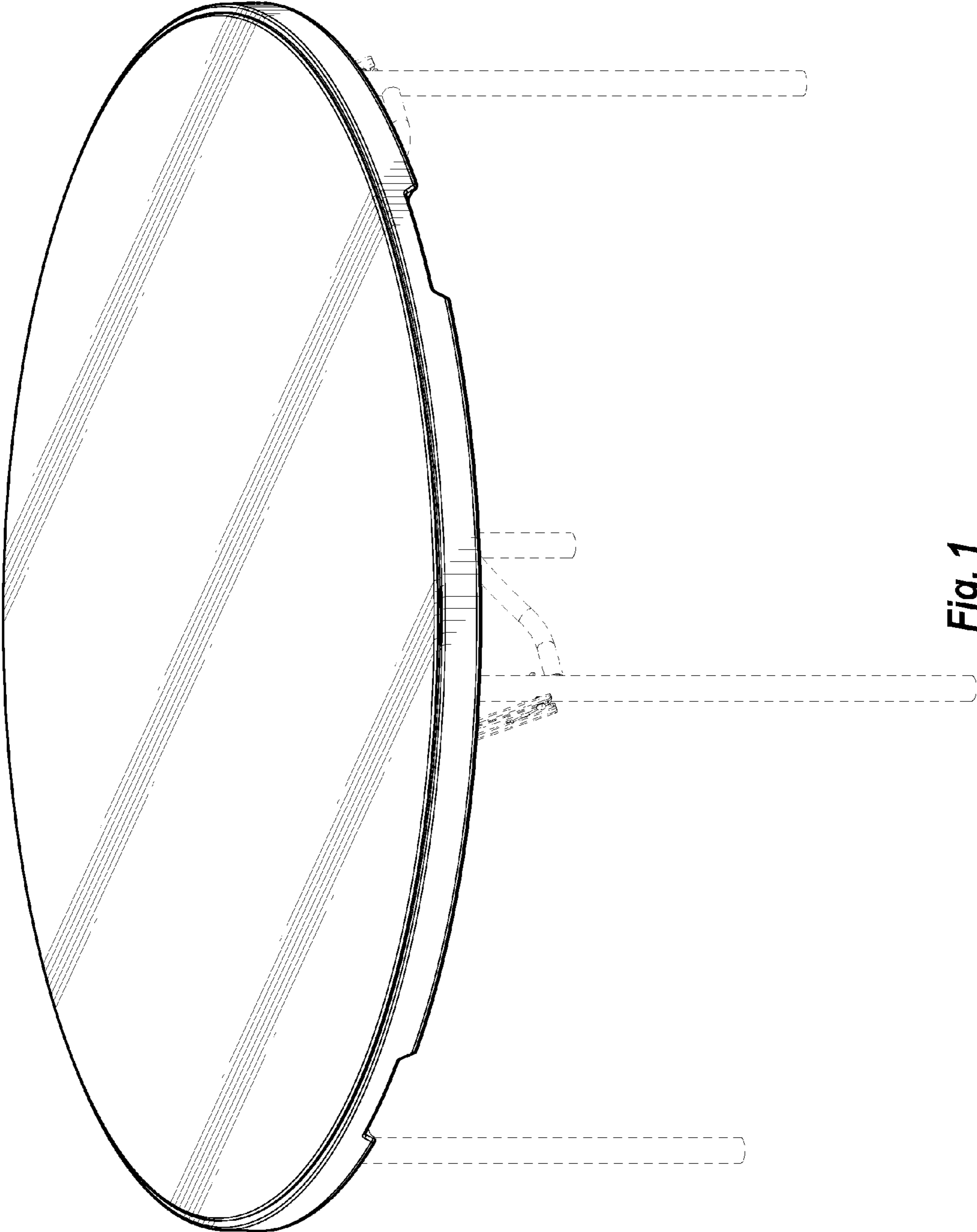


Fig. 1

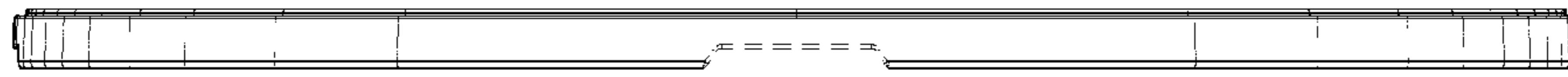


Fig. 2



Fig. 3

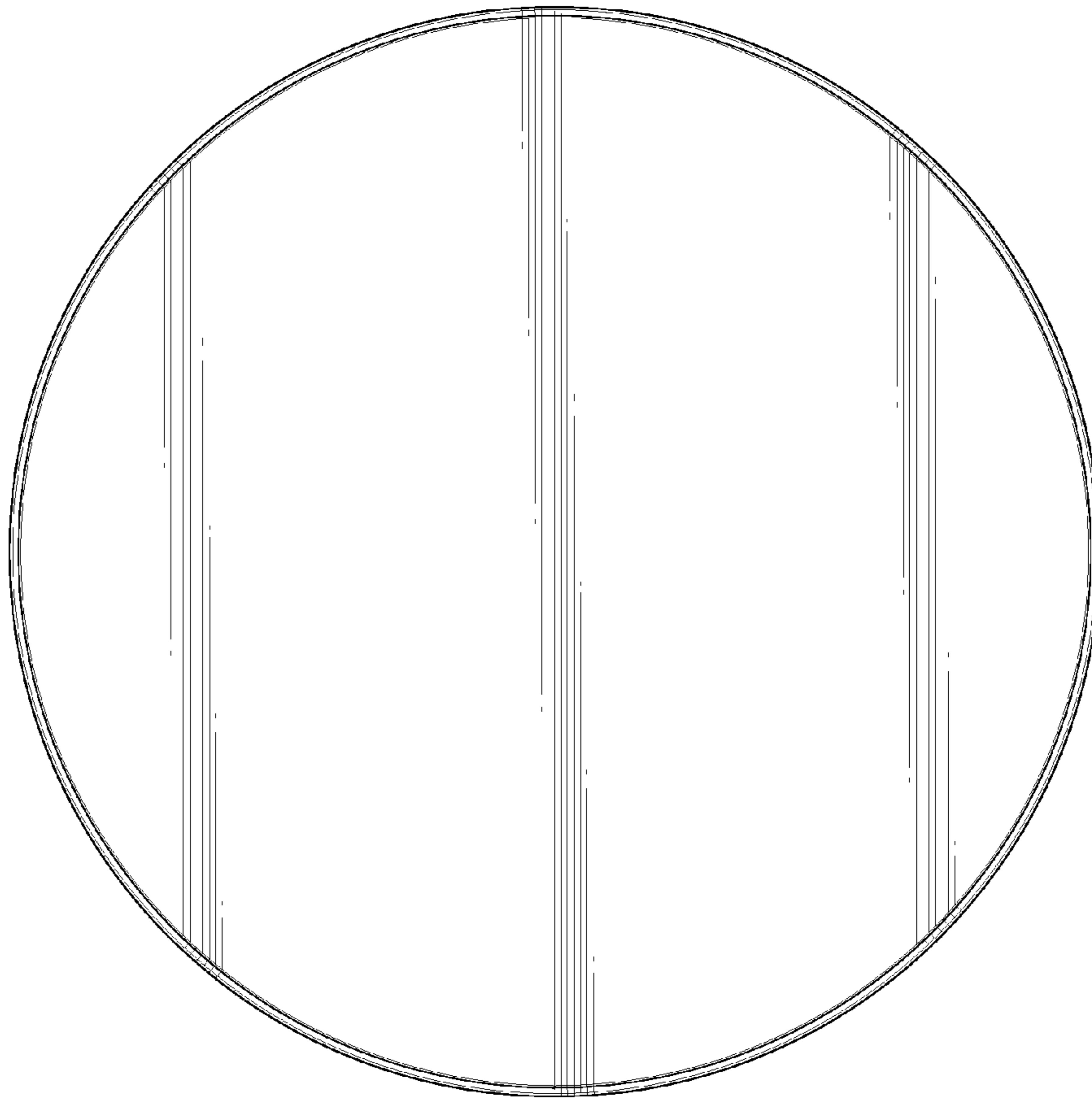


Fig. 4



Fig. 5



Fig. 6

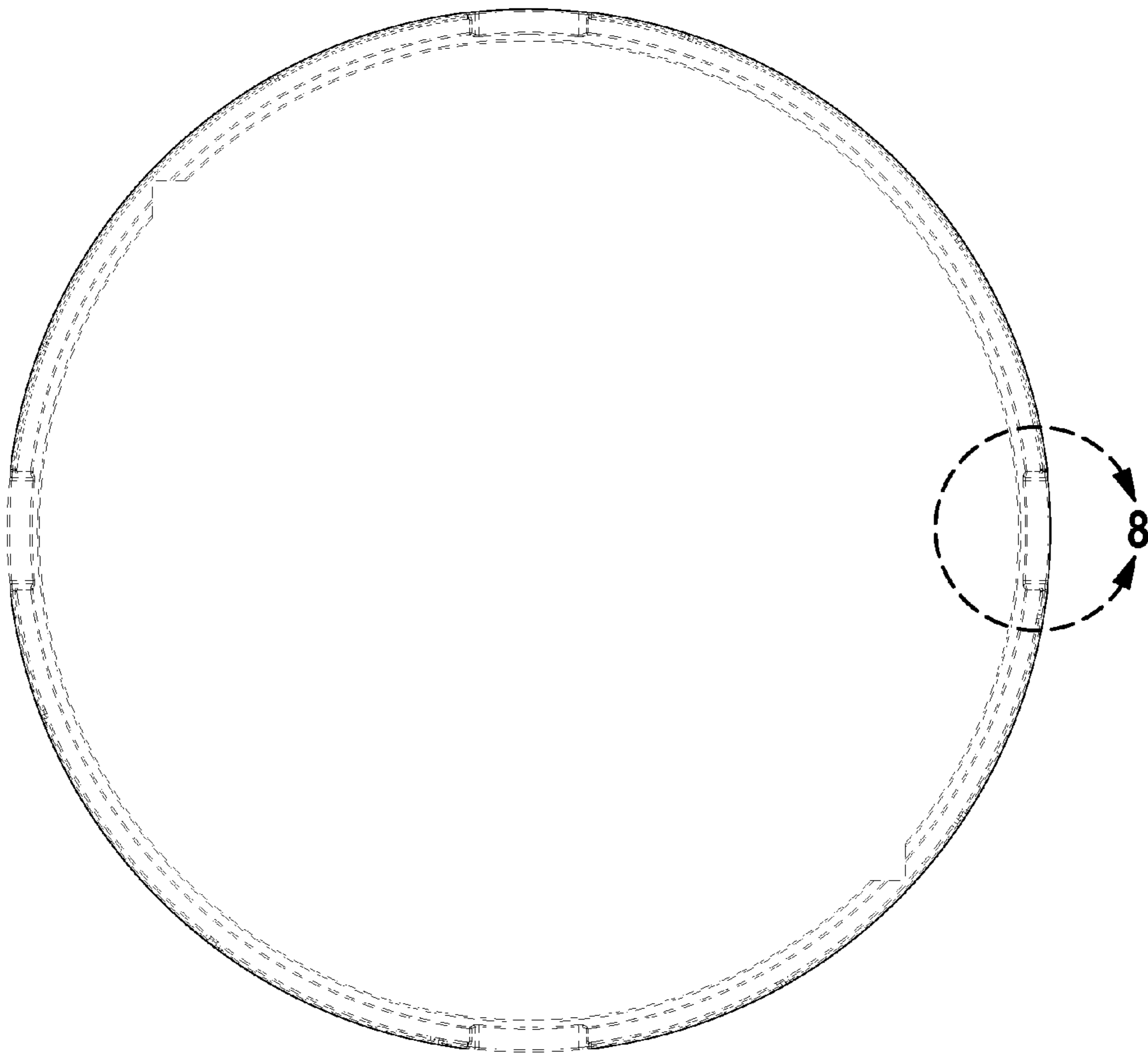


Fig. 7



Fig. 8