



US00D708461S

(12) **United States Design Patent**  
**Starck**

(10) **Patent No.:** **US D708,461 S**  
(45) **Date of Patent:** **\*\* Jul. 8, 2014**

- (54) **TABLE**
- (71) Applicant: **Philippe Starck**, Paris (FR)
- (72) Inventor: **Philippe Starck**, Paris (FR)
- (\*\*) Term: **14 Years**
- (21) Appl. No.: **29/441,923**
- (22) Filed: **Jan. 10, 2013**
- (51) **LOC (10) Cl.** ..... **06-03**
- (52) **U.S. Cl.**  
USPC ..... **D6/691**
- (58) **Field of Classification Search**  
USPC ..... D6/691, 691.8, 691.9, 691.3, 708,  
D6/708.16; 108/151, 153.1, 155, 156,  
108/157.1, 158.12, 161; 248/188, 188.1  
See application file for complete search history.

(56) **References Cited**

**U.S. PATENT DOCUMENTS**

- D236,926 S \* 9/1975 Alexander ..... D6/485
- D343,078 S \* 1/1994 Wegener ..... D6/480
- D398,453 S \* 9/1998 Stead ..... D6/349

D463,166 S \* 9/2002 Russell et al. .... D6/485

\* cited by examiner

*Primary Examiner* — Janice Seeger

(74) *Attorney, Agent, or Firm* — Blue Filament Law PLLC;  
Avery N. Goldstein

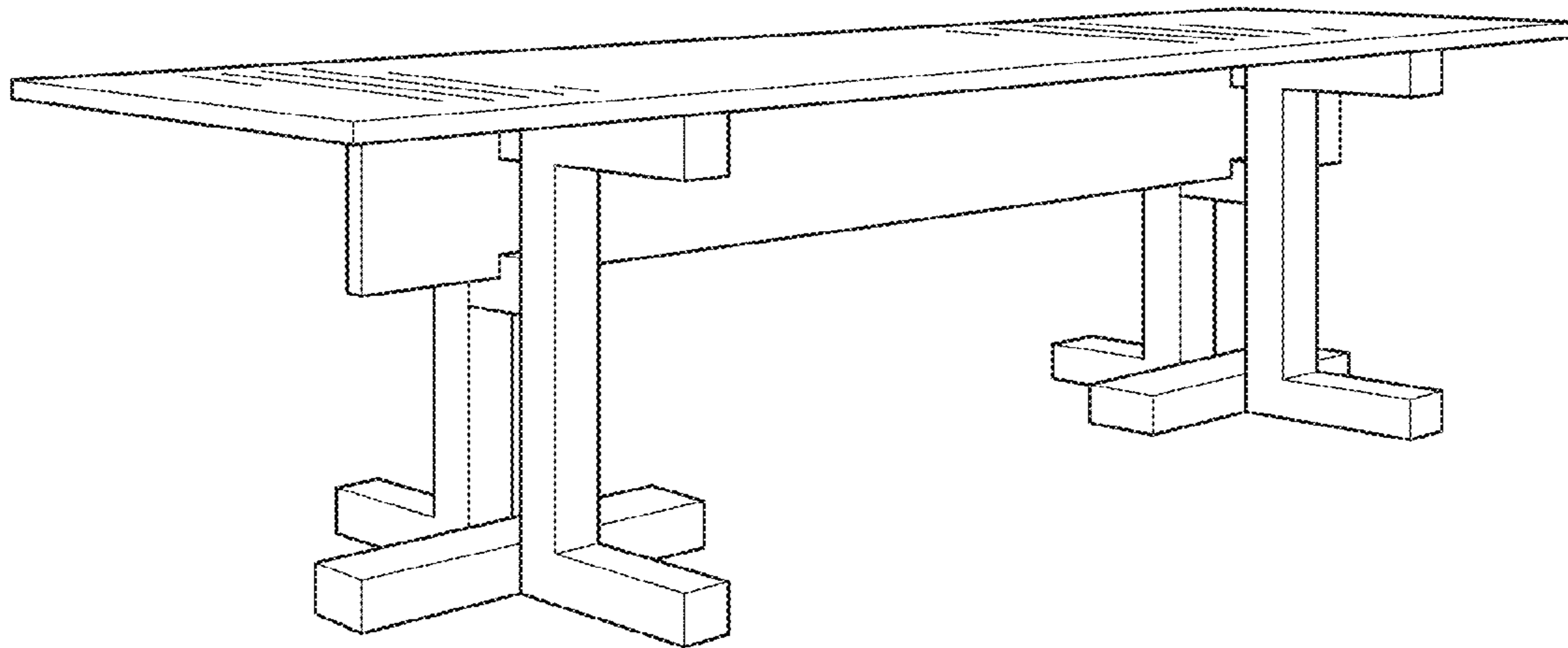
(57) **CLAIM**

The ornamental design for a table, as shown and described.

**DESCRIPTION**

FIG. 1 is an end perspective view of a table;  
 FIG. 2 is a front perspective view of the table depicted in FIG. 1;  
 FIG. 3 is a bottom view of the table depicted in FIG. 1;  
 FIG. 4 is a top view of the table depicted in FIG. 1;  
 FIG. 5 is a side perspective view of the table depicted in FIG. 1;  
 FIG. 6 is a side view of the table depicted in FIG. 1, where an opposing side view is a minor image of that depicted in FIG. 6; and,  
 FIG. 7 is a front view of the table depicted in FIG. 1, where a back view is a minor image of that depicted in FIG. 7.

**1 Claim, 2 Drawing Sheets**



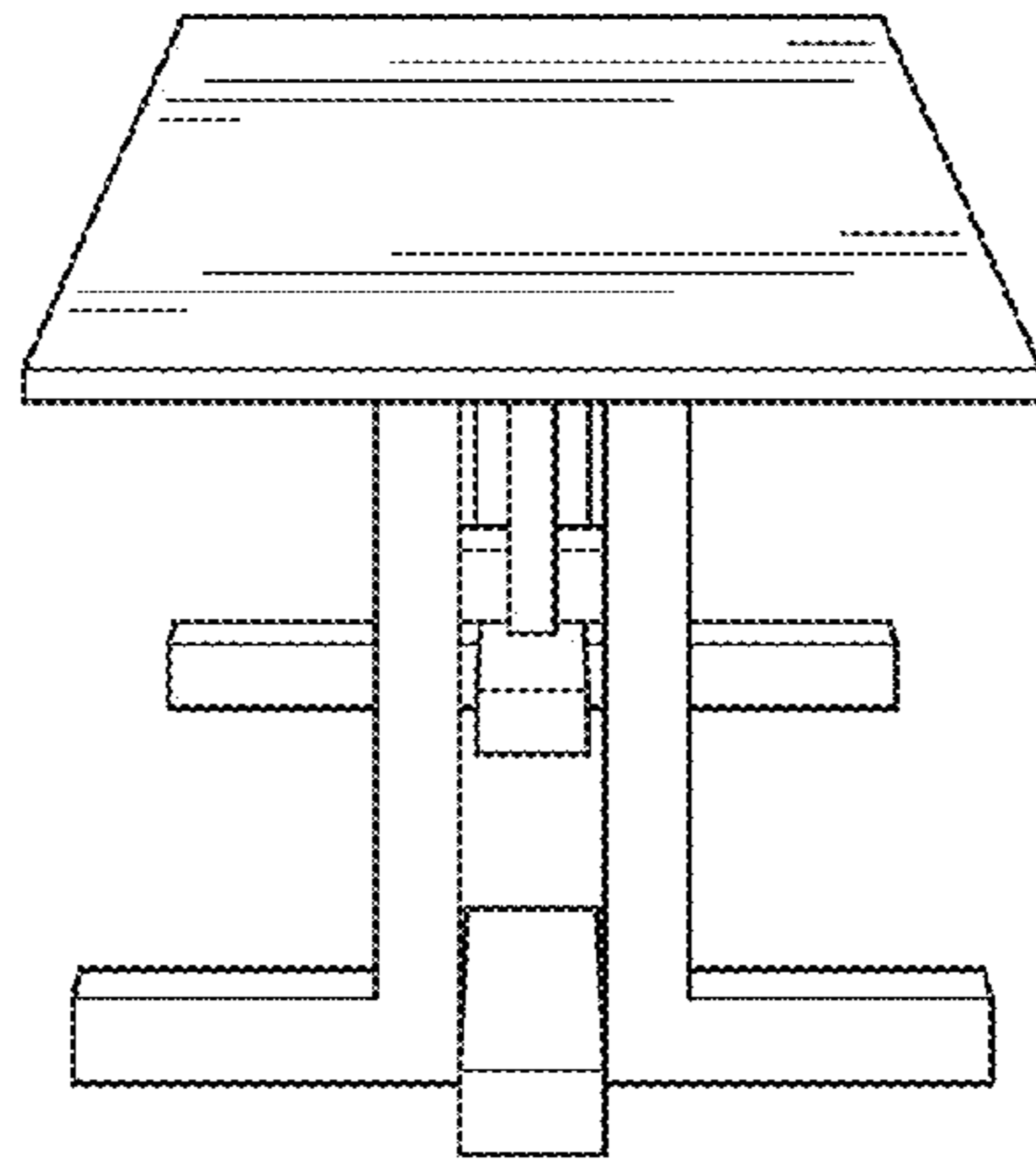


FIG. 1

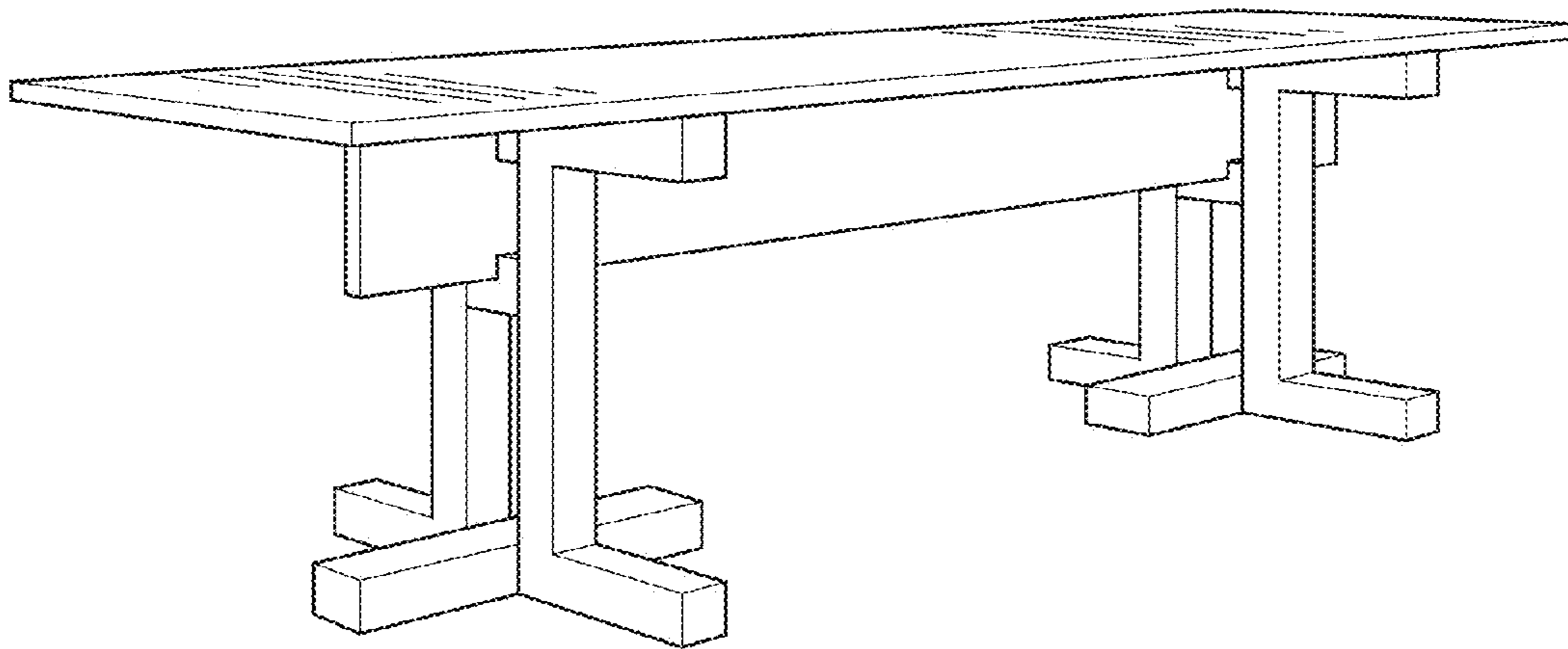


FIG. 2

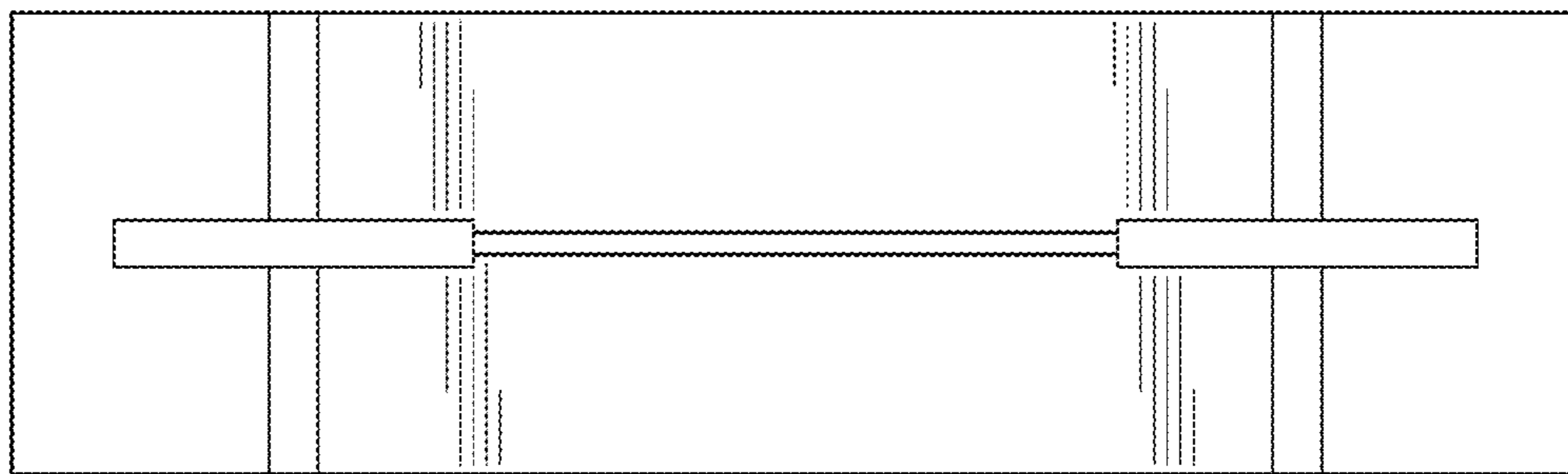


FIG. 3

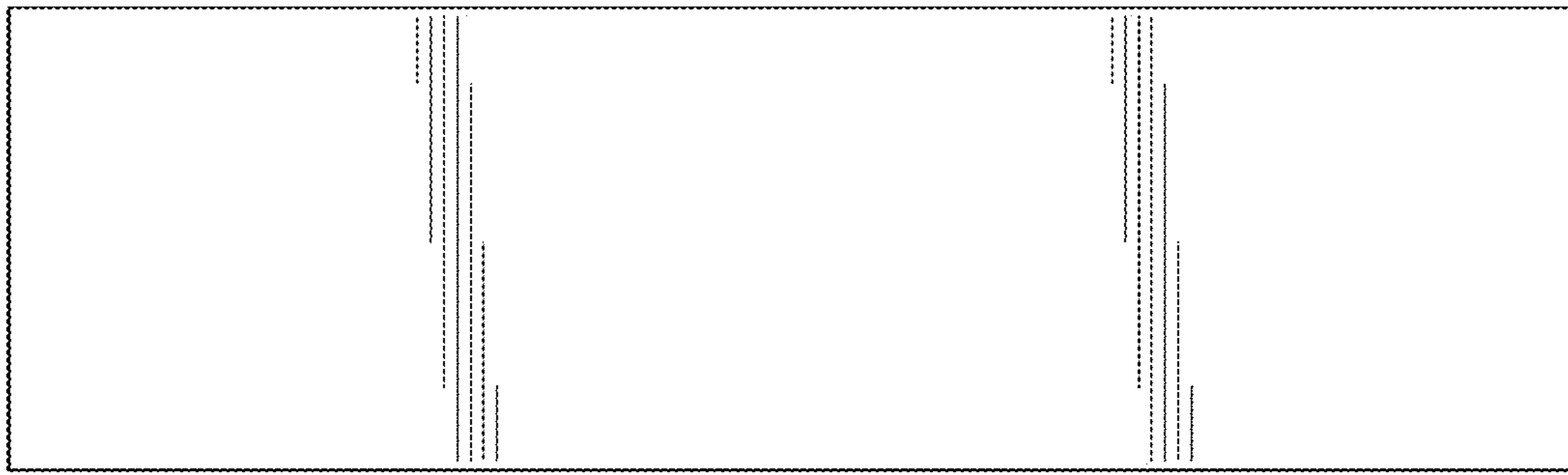


FIG. 4

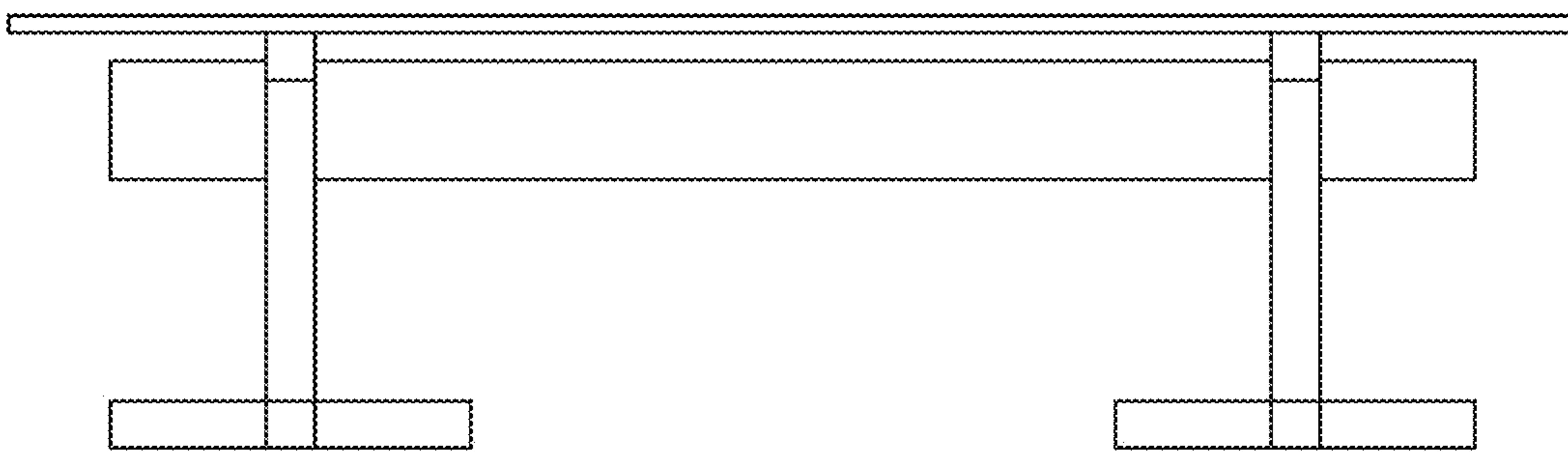


FIG. 5

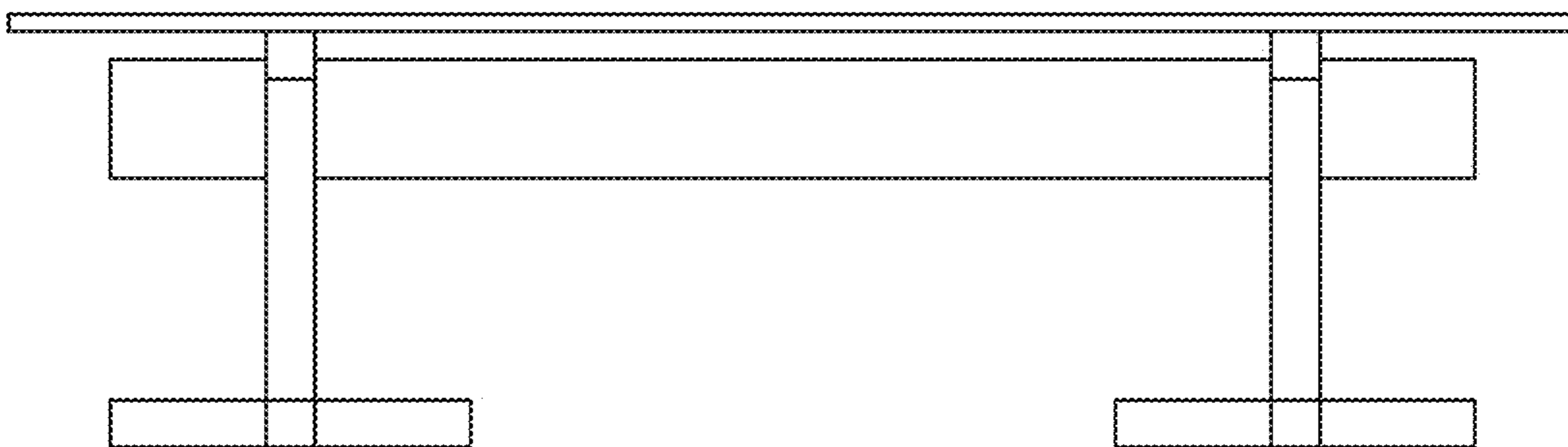


FIG. 6

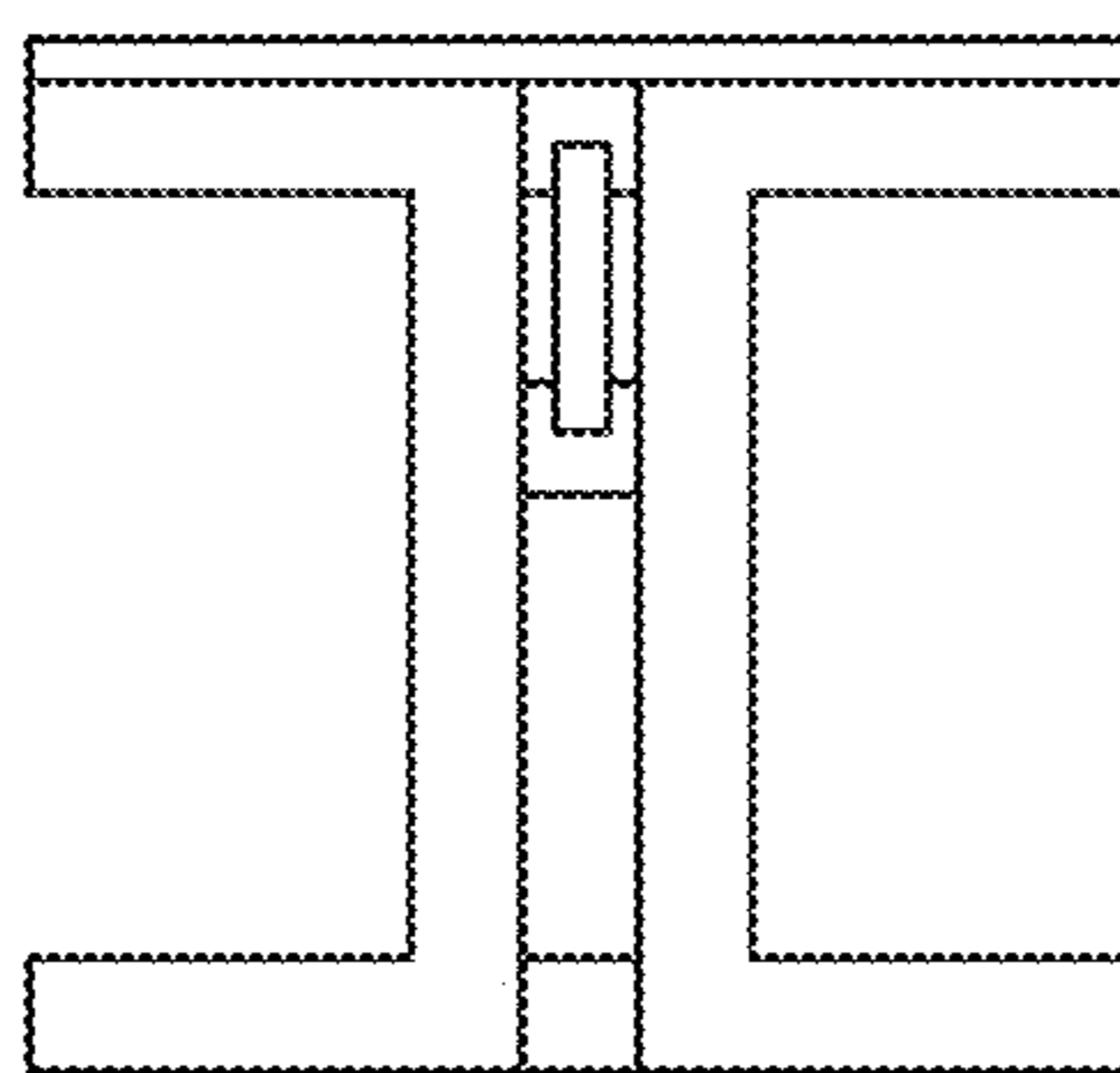


FIG. 7