



US00D708460S

(12) **United States Design Patent**  
**Peggs**

(10) **Patent No.:** **US D708,460 S**  
(45) **Date of Patent:** **\*\* Jul. 8, 2014**

(54) **POCKET RACK**

(71) Applicant: **Johnny L. Peggs**, San Dimas, CA (US)

(72) Inventor: **Johnny L. Peggs**, San Dimas, CA (US)

(\*\*) Term: **14 Years**

(21) Appl. No.: **29/478,909**

(22) Filed: **Jan. 9, 2014**

(51) **LOC (10) Cl.** ..... **06-06**

(52) **U.S. Cl.**  
USPC ..... **D6/675.1**

(58) **Field of Classification Search**  
USPC ..... D6/449–450, 470–472, 474–479,  
D6/490–491, 509–511, 675–675.2;  
108/107–108; 312/107, 117, 59.4, 134,  
312/69, 186–192

See application file for complete search history.

(56) **References Cited**

**U.S. PATENT DOCUMENTS**

493,896 A	3/1893	Pierce	
2,035,935 A	1/1935	Allen	
D215,162 S *	9/1969	Robichaud	D6/399
D245,738 S *	9/1977	Latanzi	D6/408
4,998,629 A	3/1991	Cheng	
D406,476 S *	3/1999	Boije	D6/436
D415,365 S *	10/1999	Nicklas	D6/400
D418,349 S	1/2000	Schumacher	
D424,836 S	5/2000	Kopala, Jr.	
D479,064 S *	9/2003	Goldberg	D6/480
D516,845 S *	3/2006	Lenger	D6/509

D573,369 S *	7/2008	Sparkowski	D6/463
7,494,019 B2 *	2/2009	Kessell et al.	211/187
D598,220 S *	8/2009	Sparkowski	D6/464
D626,762 S *	11/2010	Primiano	D6/459
D634,561 S *	3/2011	Preussner-Pfaff et al.	D6/432
D643,229 S *	8/2011	Rosenfeld	D6/400
D671,779 S	12/2012	Kozak et al.	
D672,992 S	12/2012	Kozak et al.	
D677,092 S	3/2013	Kozak et al.	
D680,350 S *	4/2013	Peake-Atkins et al.	D6/662.1
D683,160 S	5/2013	Williams	
D690,528 S *	10/2013	Nowak	D6/673
D692,701 S *	11/2013	Peggs	D6/675.1

\* cited by examiner

*Primary Examiner* — Kelley Donnelly

(74) *Attorney, Agent, or Firm* — Kirk A. Buhler; Buhler & Associates

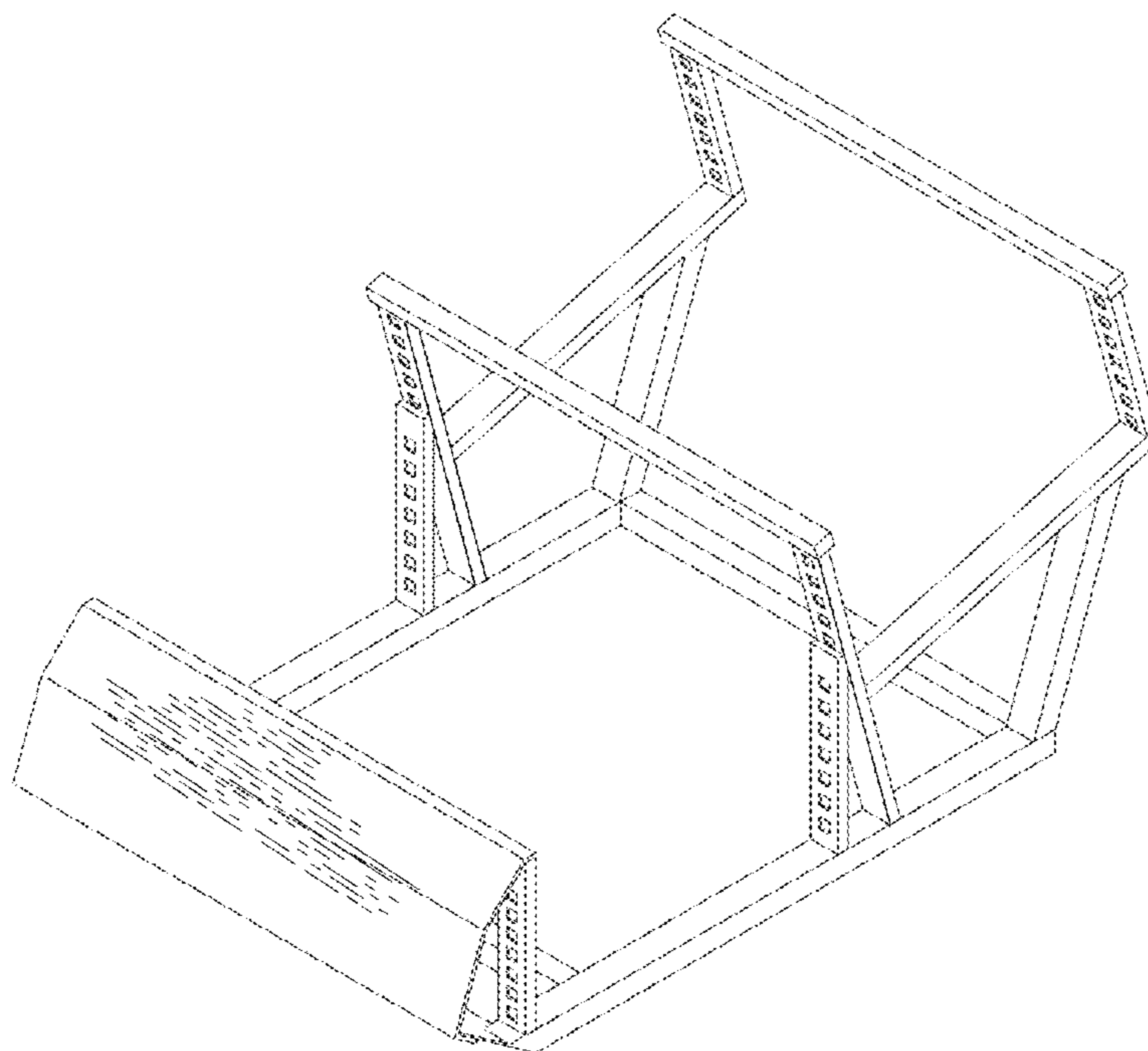
(57) **CLAIM**

The ornamental design for a pocket rack, as shown and described.

**DESCRIPTION**

FIG. 1 is a top perspective view for a pocket rack showing my new design;  
FIG. 2 is a front side view thereof;  
FIG. 3 is a back side view thereof;  
FIG. 4 is a top side view thereof;  
FIG. 5 is a right side view, the left side being a mirror image thereof;  
FIG. 6 is a bottom side view thereof;  
FIG. 7 is an upper rear perspective view; and,  
FIG. 8 is a lower front perspective view.

**1 Claim, 6 Drawing Sheets**



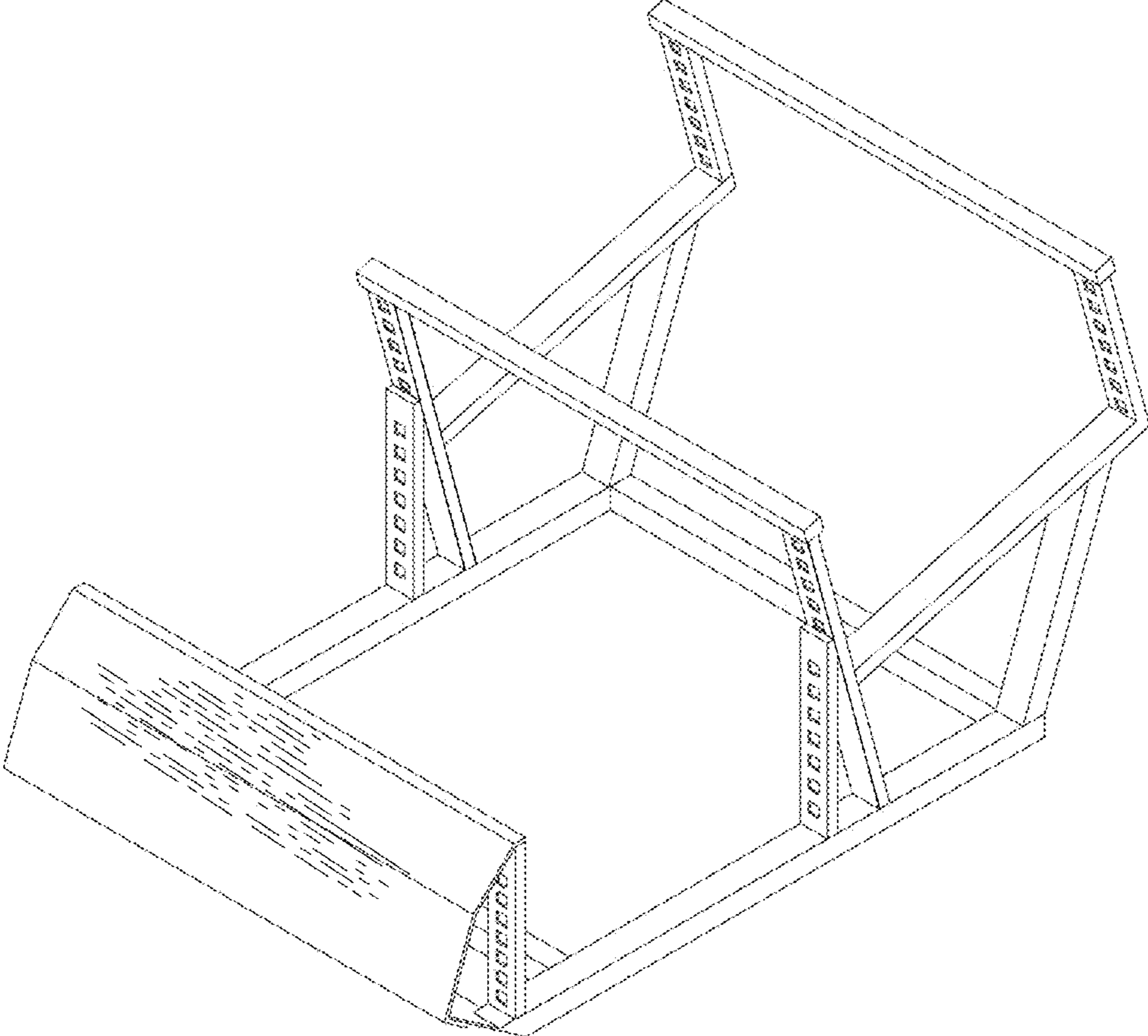


FIG. 1

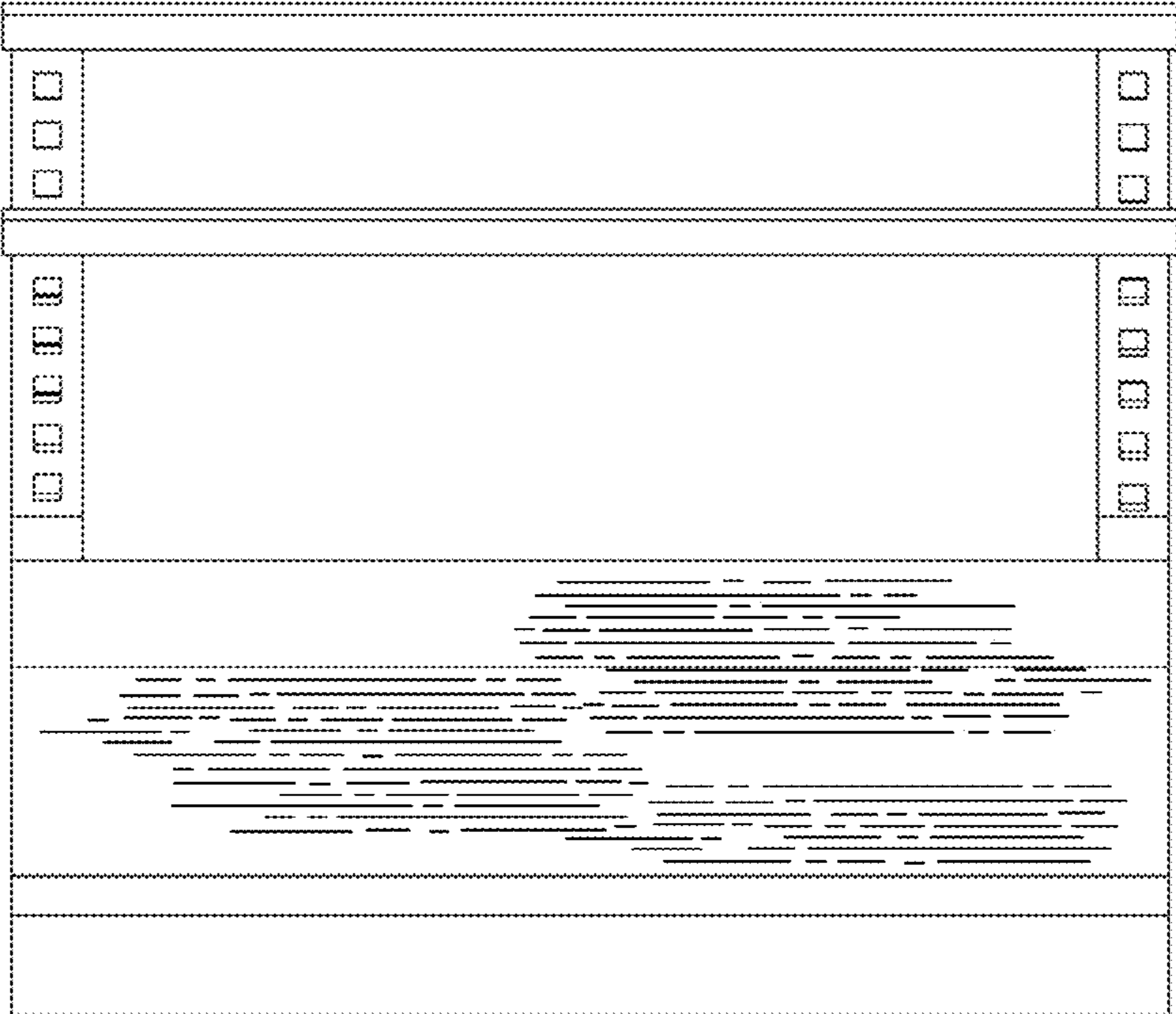


FIG. 2

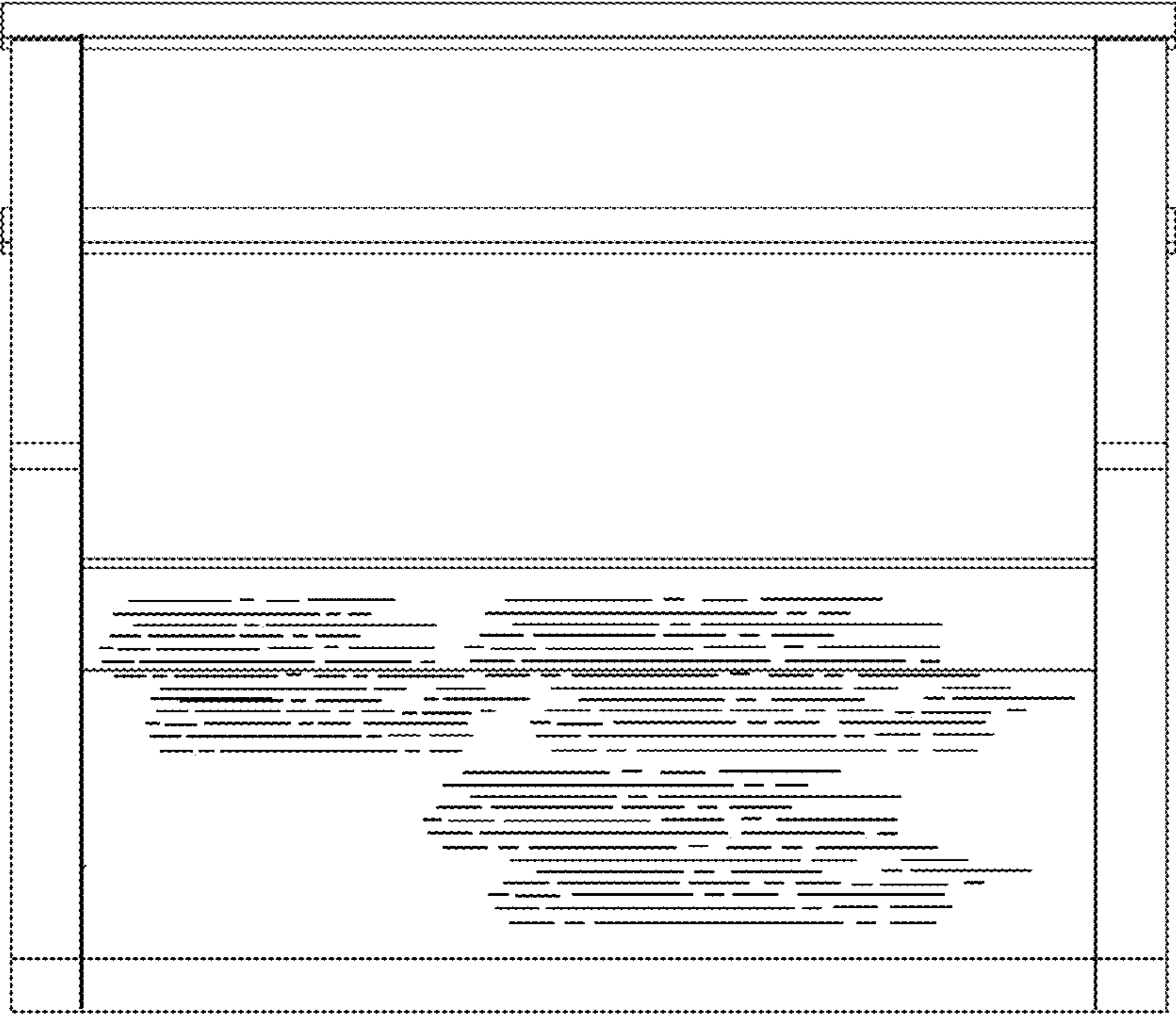


FIG. 3

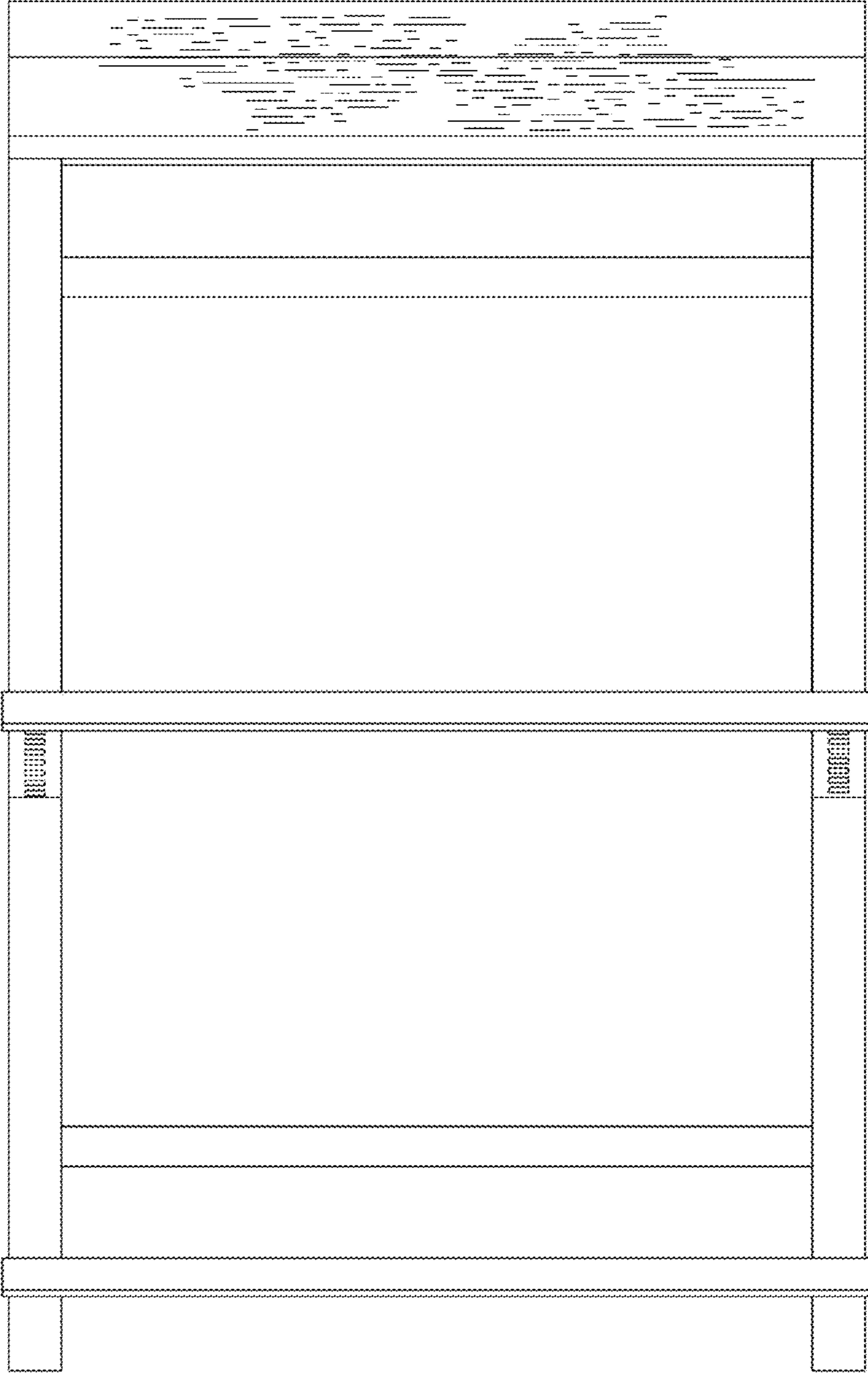
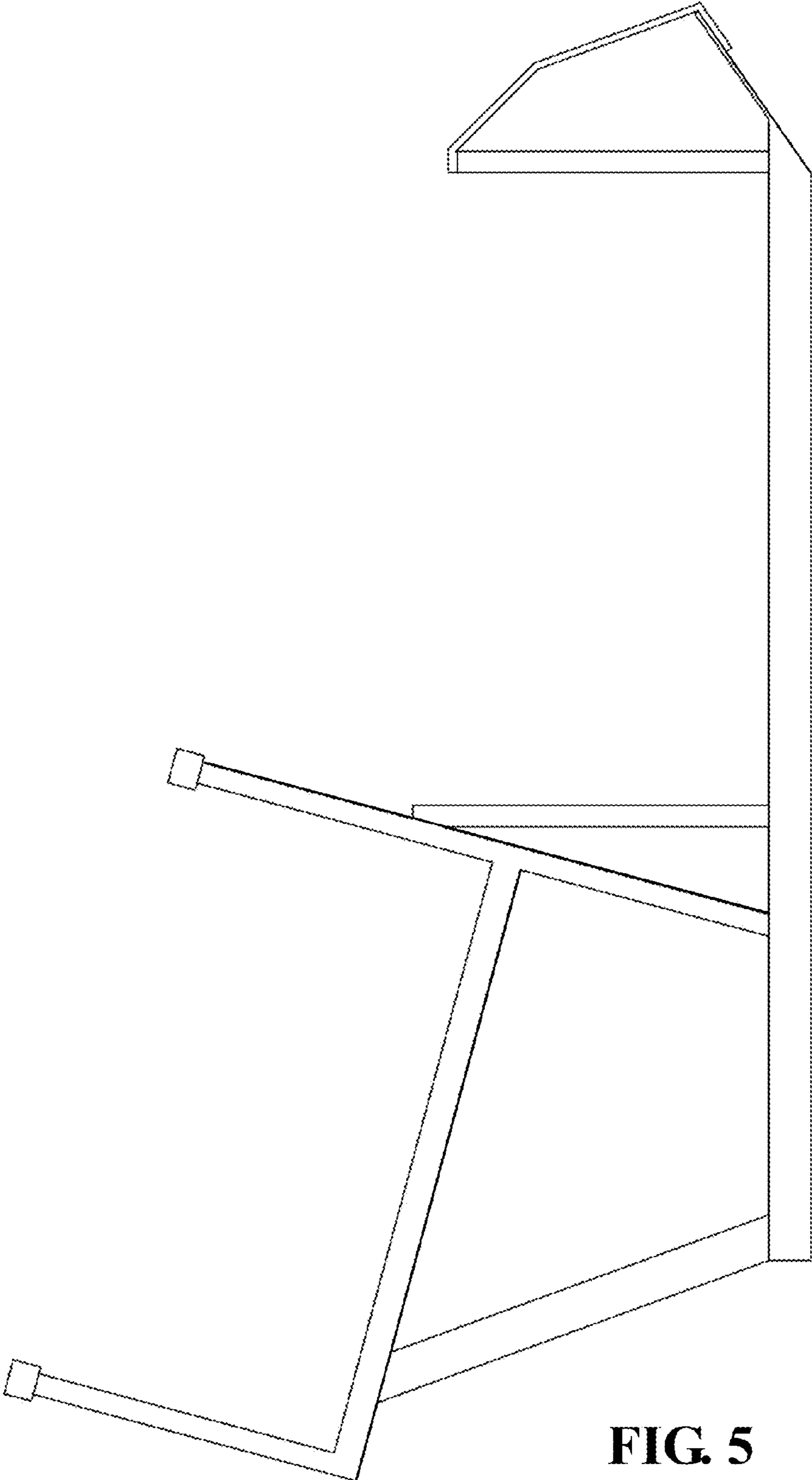


FIG. 4



**FIG. 5**

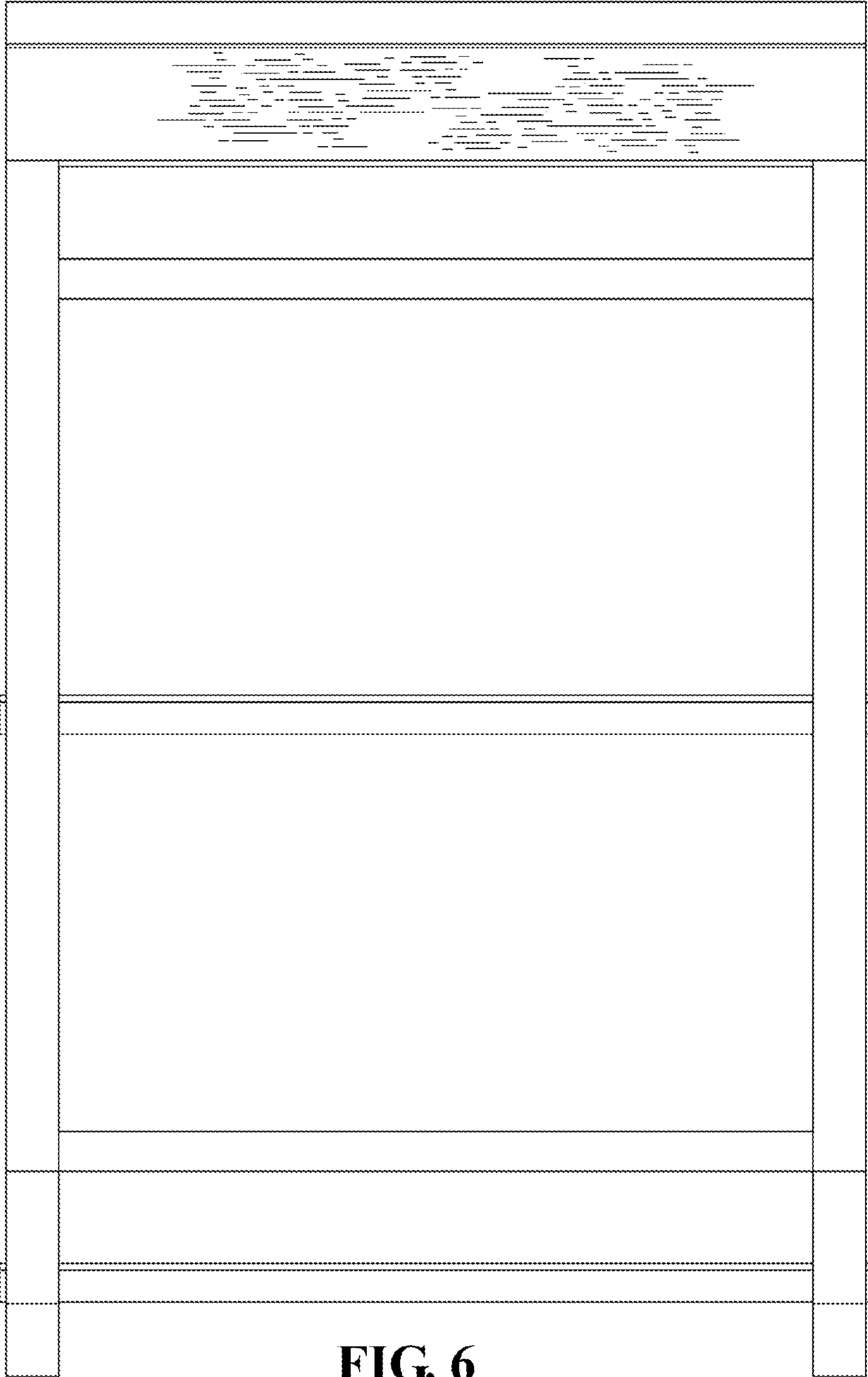
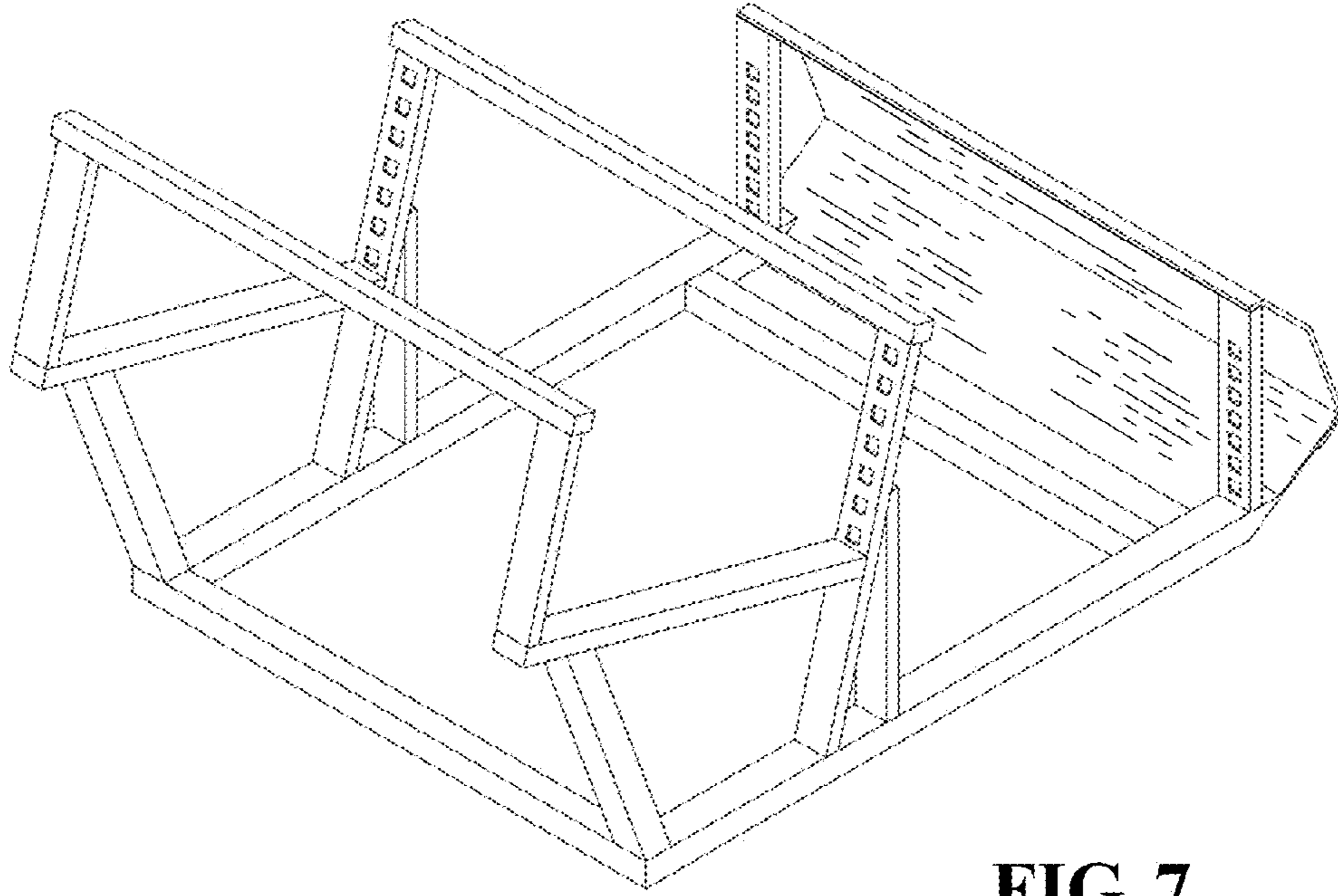
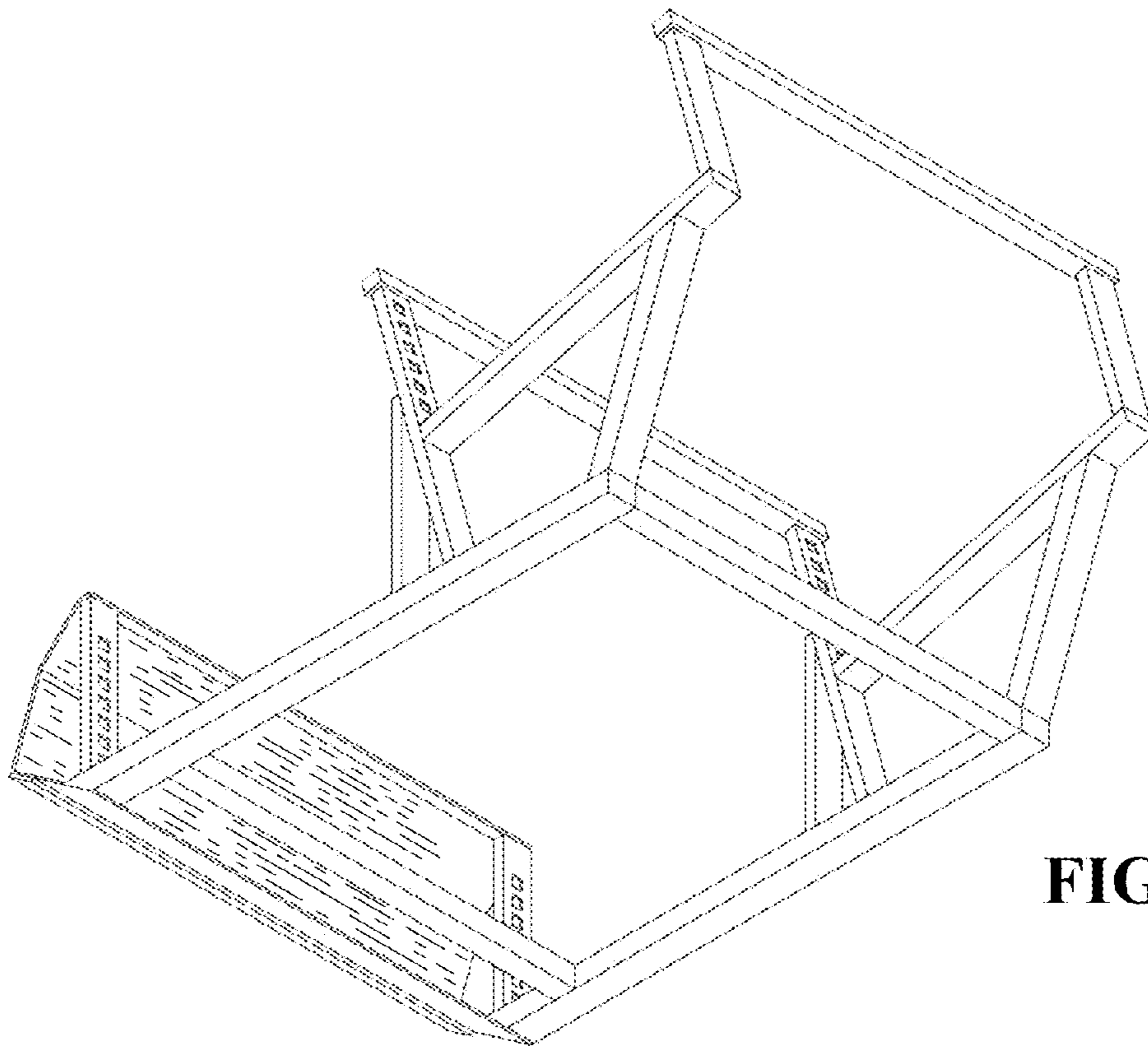


FIG. 6



**FIG. 7**



**FIG. 8**