



US00D708459S

(12) **United States Design Patent**
Heirakuji et al.

(10) **Patent No.:** **US D708,459 S**
(45) **Date of Patent:** **** Jul. 8, 2014**

(54) **STAND**

(75) Inventors: **Russell John Kaaihue Heirakuji**,
Cupertino, CA (US); **Kevin Fenton**
Smeds, San Francisco, CA (US); **Frank**
Craig Thaler, Santa Cruz, CA (US)

(73) Assignee: **Apple Inc.**, Cupertino, CA (US)

(**) Term: **14 Years**

(21) Appl. No.: **29/431,535**

(22) Filed: **Sep. 7, 2012**

(51) **LOC (10) Cl.** **06-06**

(52) **U.S. Cl.**
USPC **D6/675**

(58) **Field of Classification Search**
USPC D6/332, 449, 466-468, 675, 682;
D20/10, 19, 43; D25/58; 211/86-90,
211/162, 187, 189, 194, 94, 94.5, 41.15,
211/169; 248/346.3, 346.03, 346.4, 346.5;
52/36.1, 239; 160/135, 351, 352
See application file for complete search history.

(56) **References Cited**

U.S. PATENT DOCUMENTS

3,646,696	A	3/1972	Sarkisian	
3,662,482	A	5/1972	Sarkisian	
D296,619	S *	7/1988	Charman	D6/332
4,784,205	A *	11/1988	Johnson et al.	160/351
D303,458	S *	9/1989	Zapf	D6/332
D305,582	S *	1/1990	Zapf	D6/332
D318,383	S *	7/1991	Terrell et al.	D6/411
D322,187	S *	12/1991	Leis et al.	D6/462
D331,917	S *	12/1992	DuBrucq	D13/155
D332,018	S *	12/1992	De Pas et al.	D6/464
D397,562	S *	9/1998	DePottey et al.	D6/468
D420,223	S *	2/2000	Chipman et al.	D6/332
D420,519	S *	2/2000	Chen	D6/332
D421,249	S *	2/2000	Rooyakkers et al.	D13/184
D422,796	S *	4/2000	Milligan et al.	D6/332
D450,465	S *	11/2001	Overthun et al.	D6/332

D458,773	S *	6/2002	Battaglia et al.	D6/465
D466,331	S *	12/2002	Chang	D6/411
D506,331	S *	6/2005	Quintal	D6/495
D537,654	S *	3/2007	Chang	D6/467
D590,607	S *	4/2009	Beno et al.	D6/332
D599,122	S *	9/2009	Feldpausch et al.	D6/332
D608,830	S *	1/2010	Taylor et al.	D20/10
D620,457	S *	7/2010	Maurer et al.	D13/177
D622,673	S *	8/2010	Maurer et al.	D13/162

(Continued)

Primary Examiner — Kelley Donnelly

(74) *Attorney, Agent, or Firm* — Sterne, Kessler, Golstein & Fox P.L.L.C.

(57) **CLAIM**

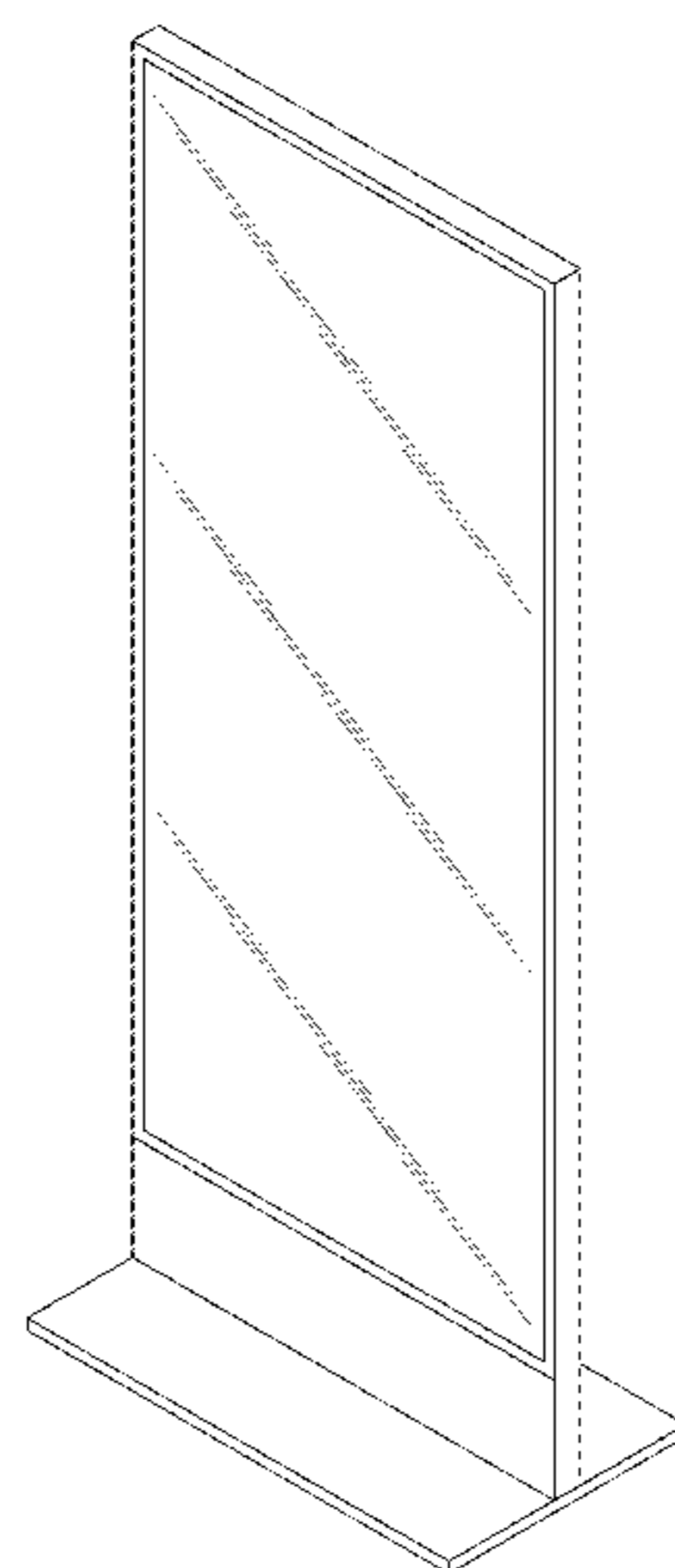
The ornamental design for a stand, as shown and described.

DESCRIPTION

FIG. 1 is a top front perspective view of a stand showing our new design;
 FIG. 2 is a bottom rear perspective view thereof;
 FIG. 3 is a front view thereof;
 FIG. 4 is a rear view thereof;
 FIG. 5 is a left side view thereof;
 FIG. 6 is a right side view thereof;
 FIG. 7 is a top view thereof;
 FIG. 8 is a bottom view thereof;
 FIG. 9 is a top front perspective view of another embodiment of a stand showing our new design;
 FIG. 10 is a bottom rear perspective view thereof;
 FIG. 11 is a front view thereof;
 FIG. 12 is a rear view thereof;
 FIG. 13 is a left side view thereof;
 FIG. 14 is a right side view thereof;
 FIG. 15 is a top view thereof; and,
 FIG. 16 is a bottom view thereof.

The broken lines in the Figures show portions of the stand which form no part of the claimed design. The oblique lines in the Figures show transparency and not surface ornamentation.

1 Claim, 12 Drawing Sheets



(56)

References Cited

U.S. PATENT DOCUMENTS

D642,390 S * 8/2011 West D6/332
D645,090 S * 9/2011 Gimpel et al. D20/10
D646,269 S * 10/2011 Crick et al. D14/307
D652,152 S * 1/2012 Martin et al. D25/103

D662,329 S * 6/2012 Arko et al. D6/332
D667,904 S * 9/2012 DeFrancisci D21/691
D669,693 S * 10/2012 Goranson et al. D6/332
D669,694 S * 10/2012 Yoo et al. D6/332
D692,707 S * 11/2013 Yoo et al. D6/708
D693,478 S * 11/2013 Irick et al. D24/231
D700,901 S * 3/2014 Giglio et al. D14/129

* cited by examiner

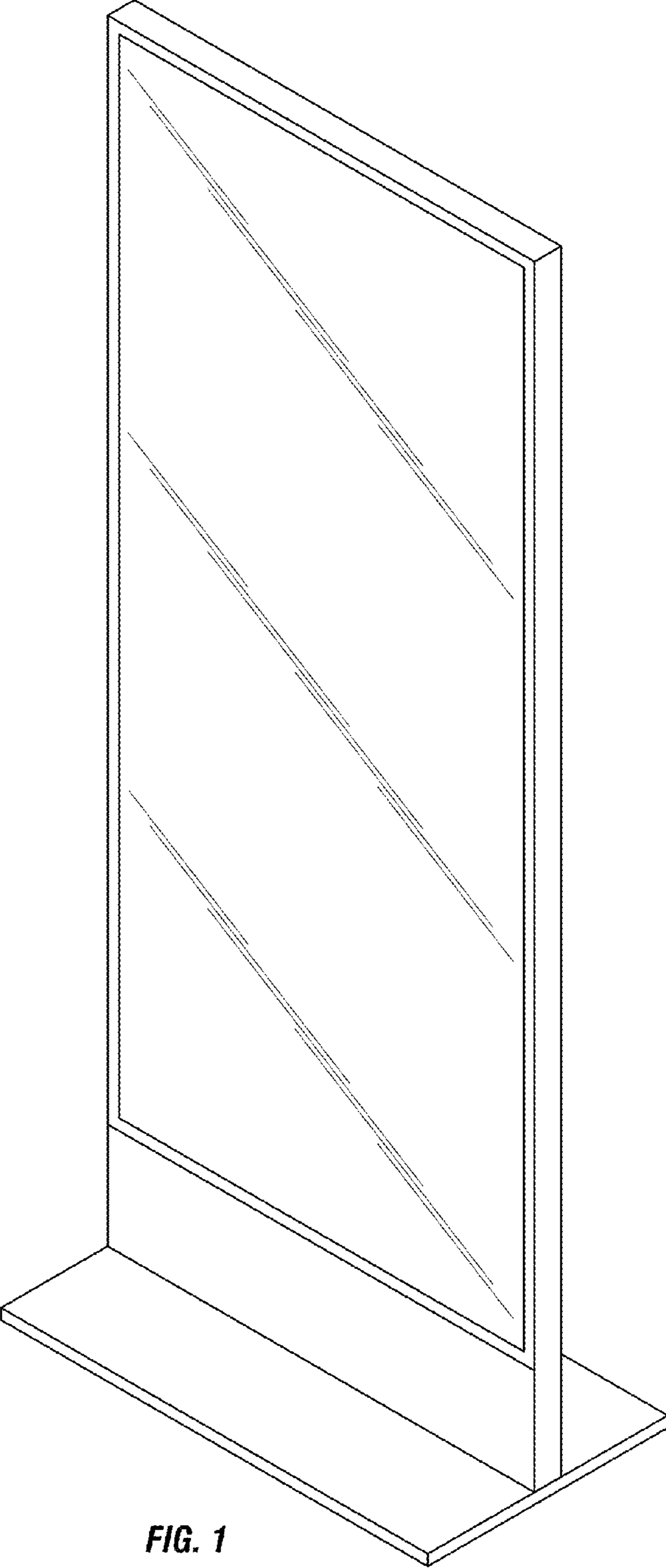


FIG. 1

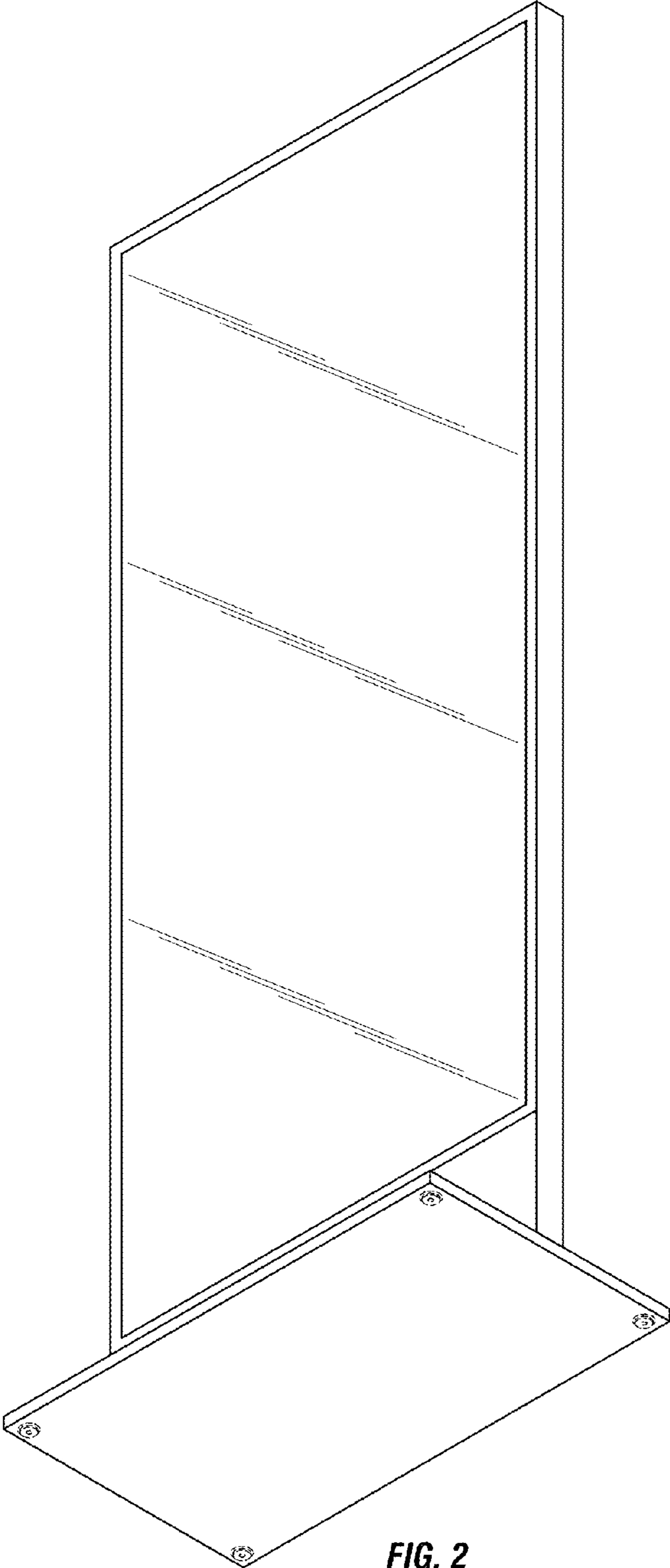


FIG. 2

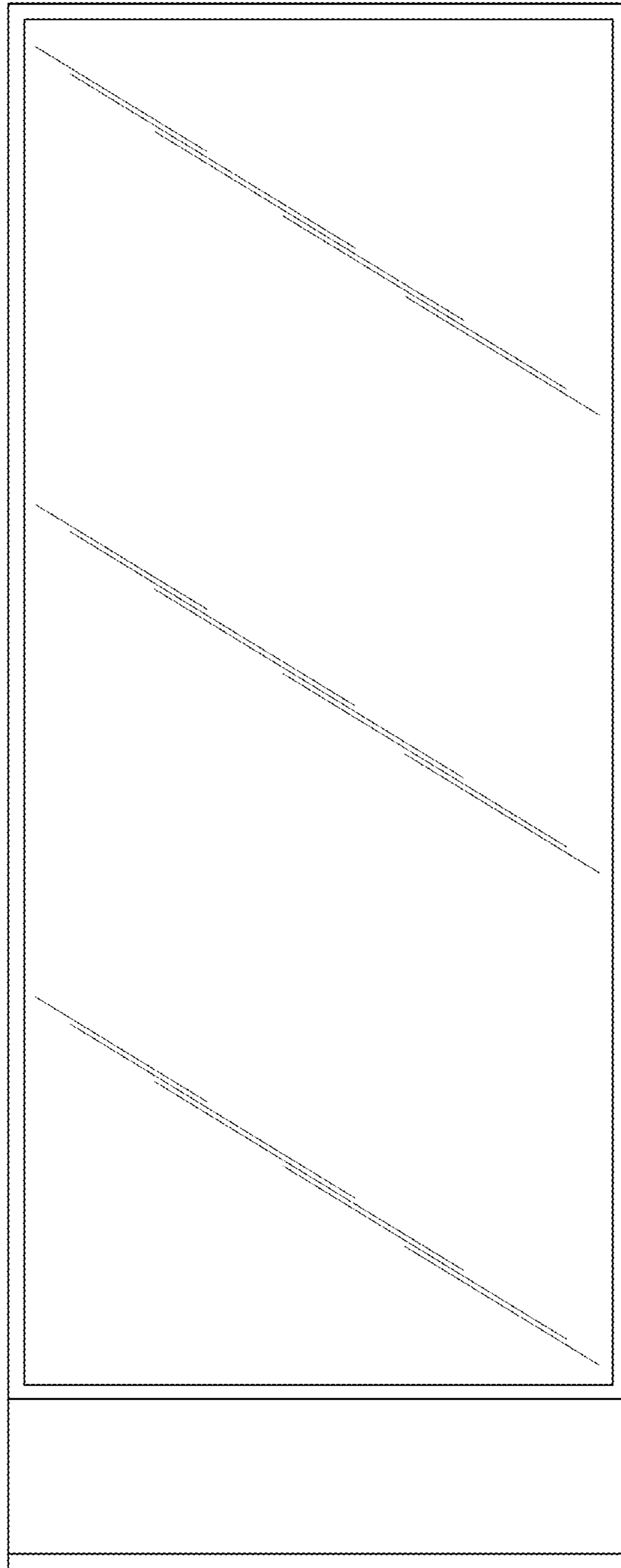


FIG. 3

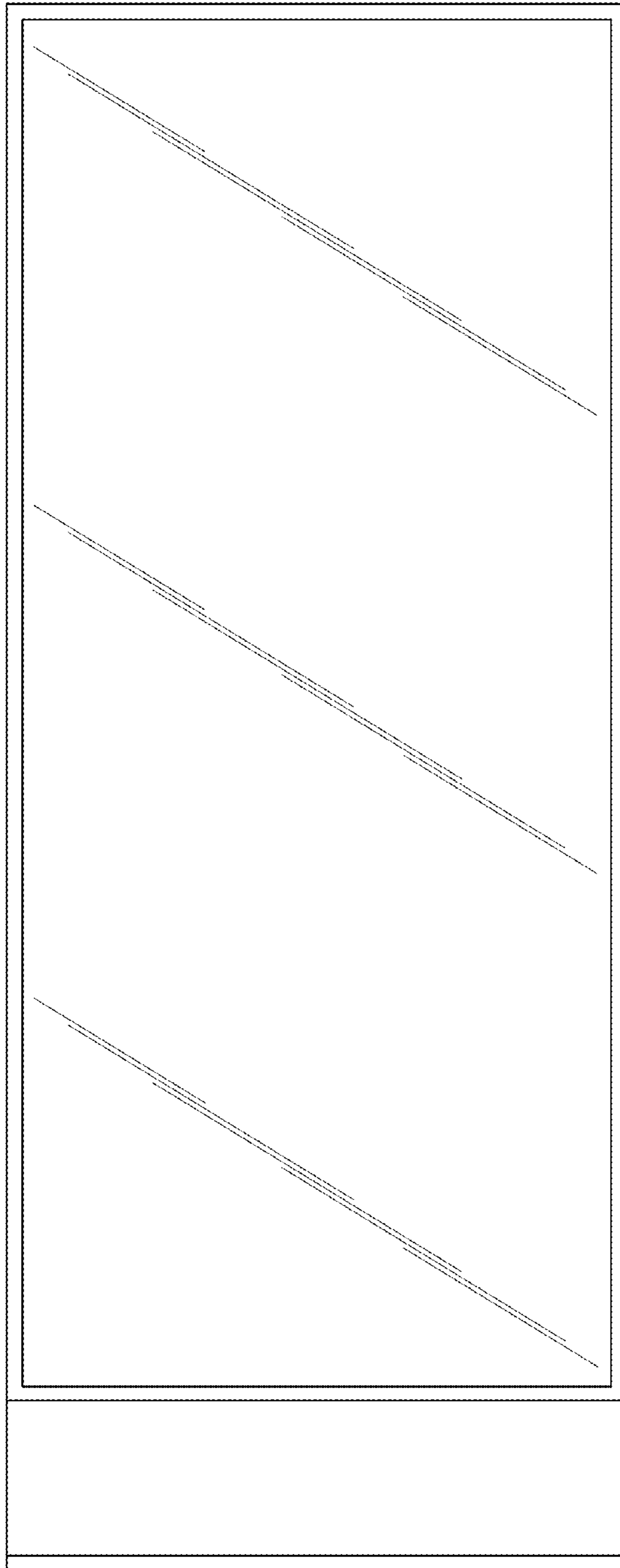


FIG. 4

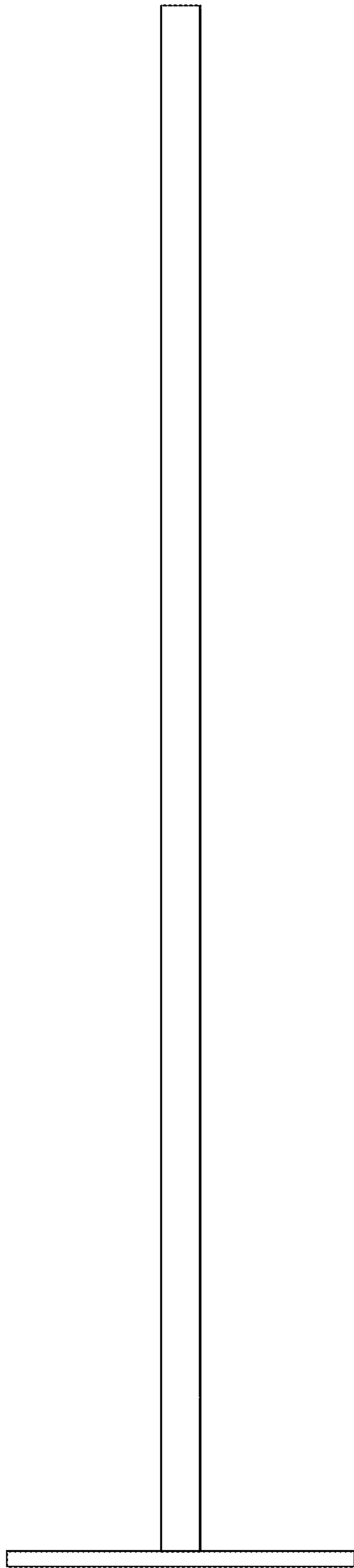


FIG. 5

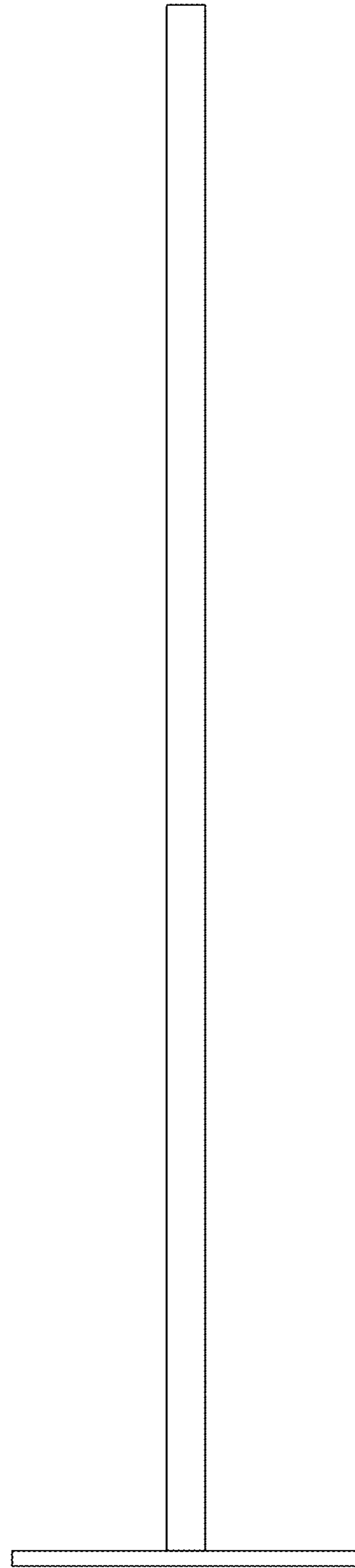


FIG. 6

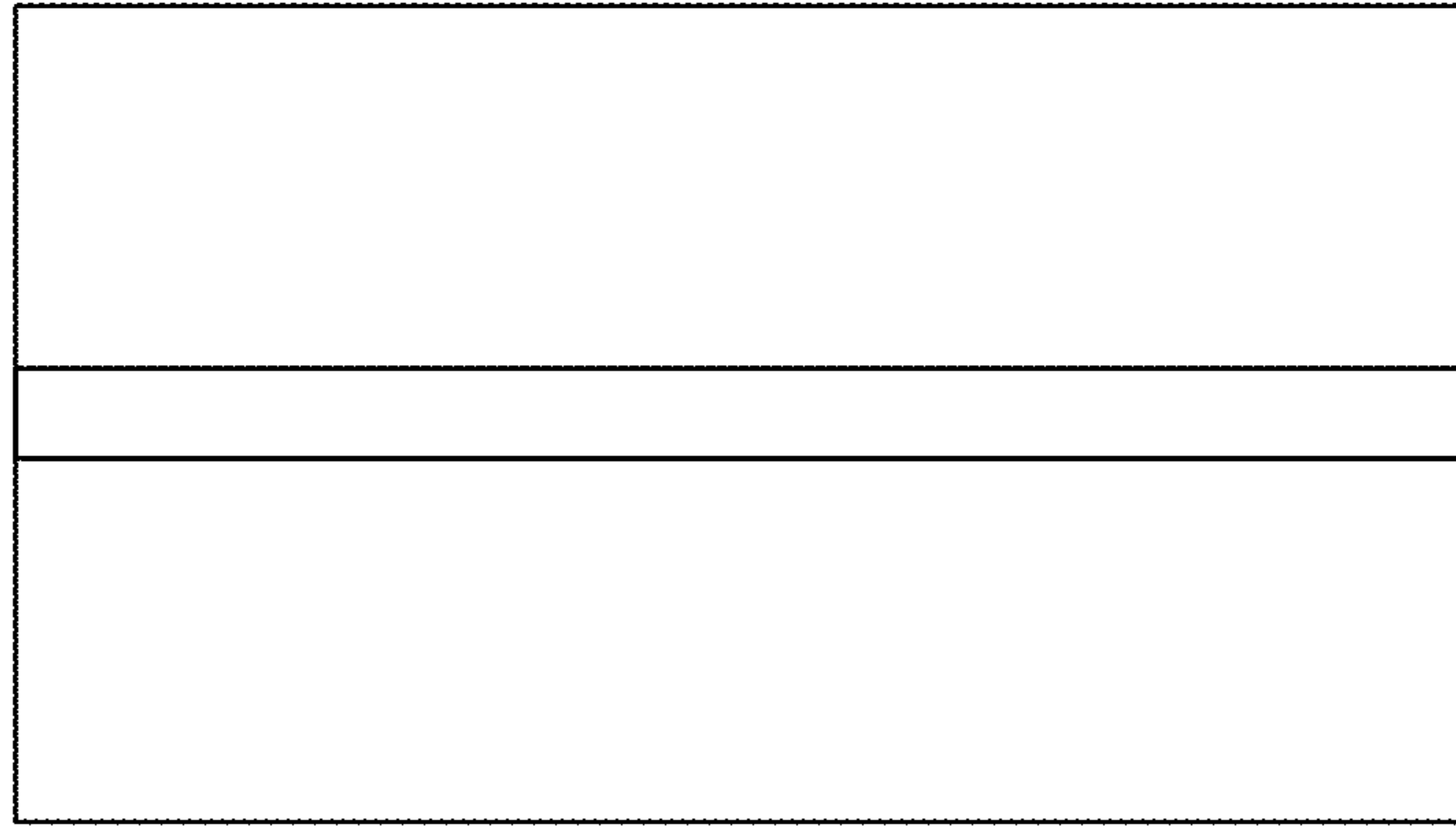


FIG. 7



FIG. 8

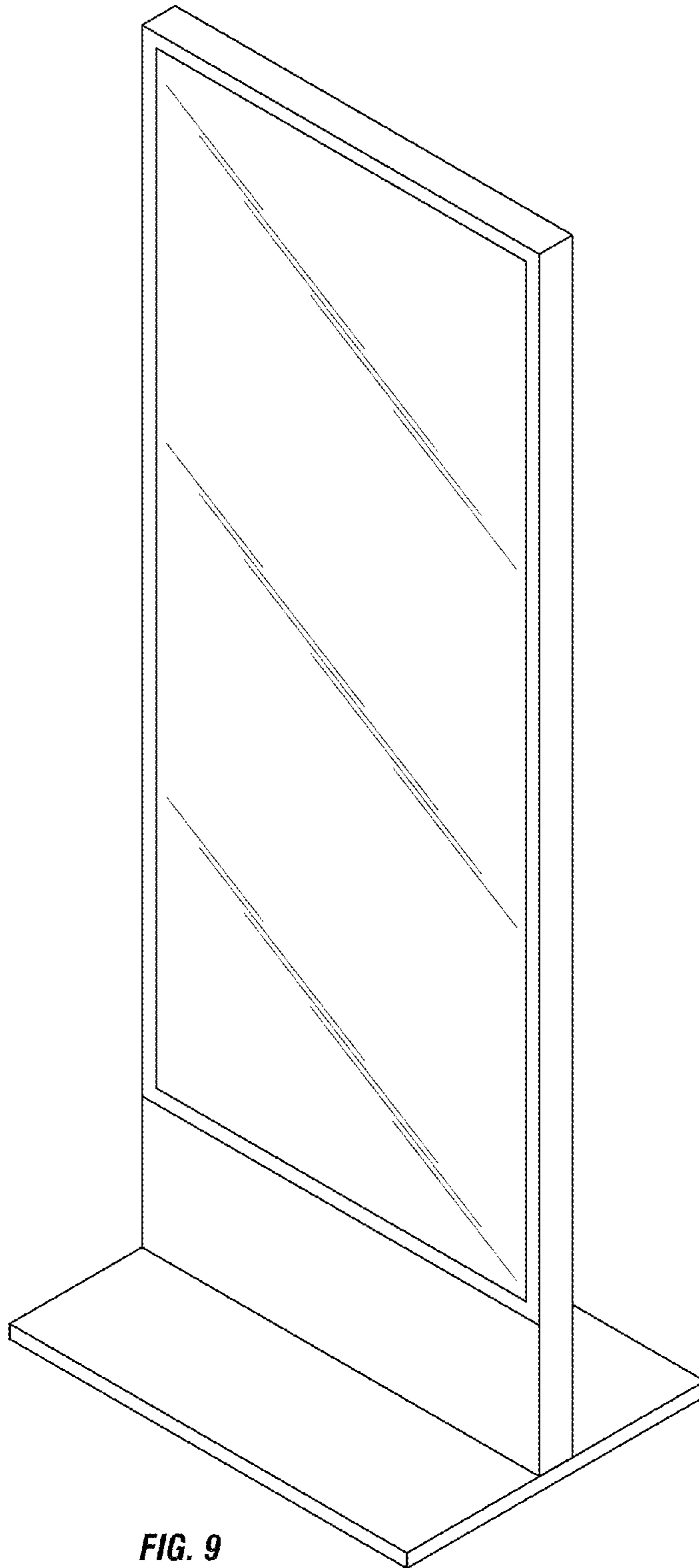


FIG. 9

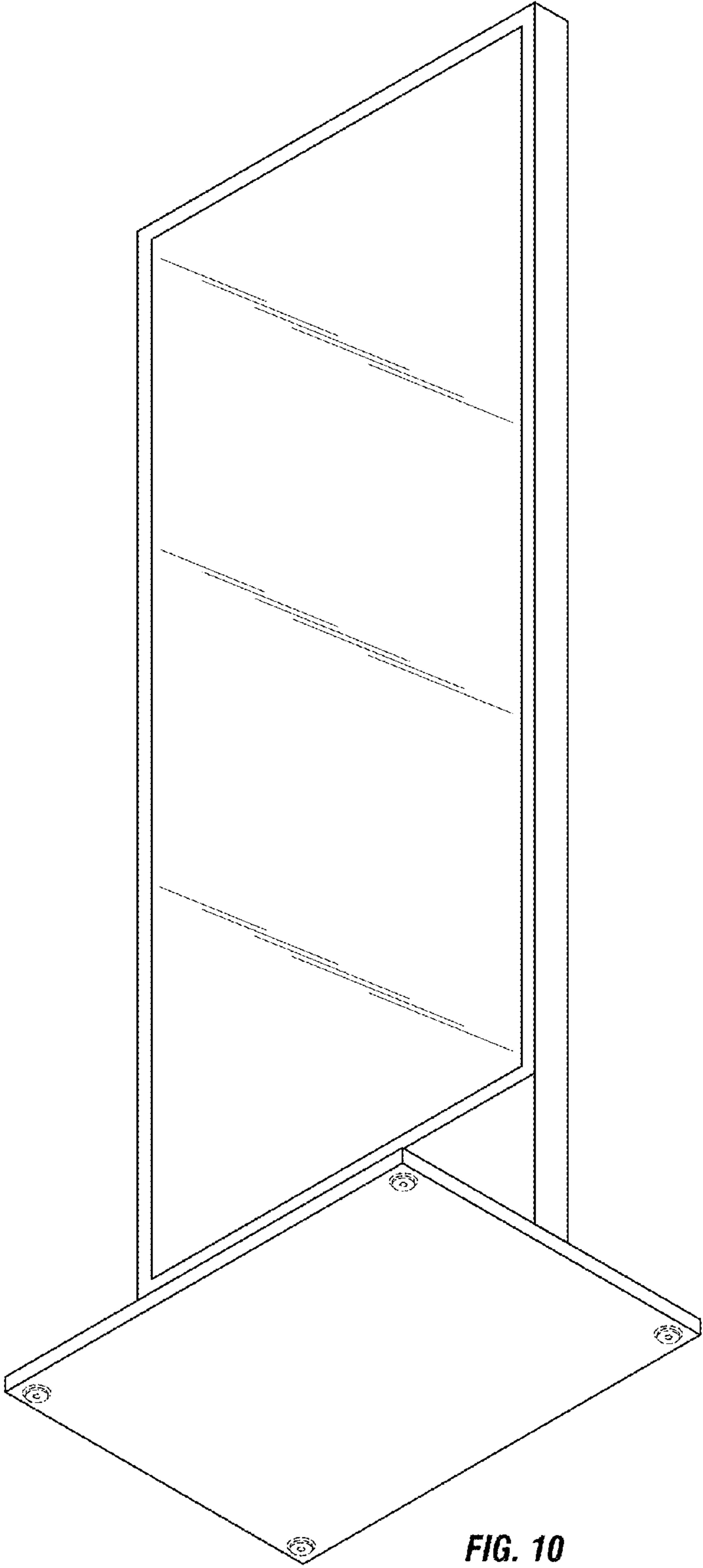


FIG. 10

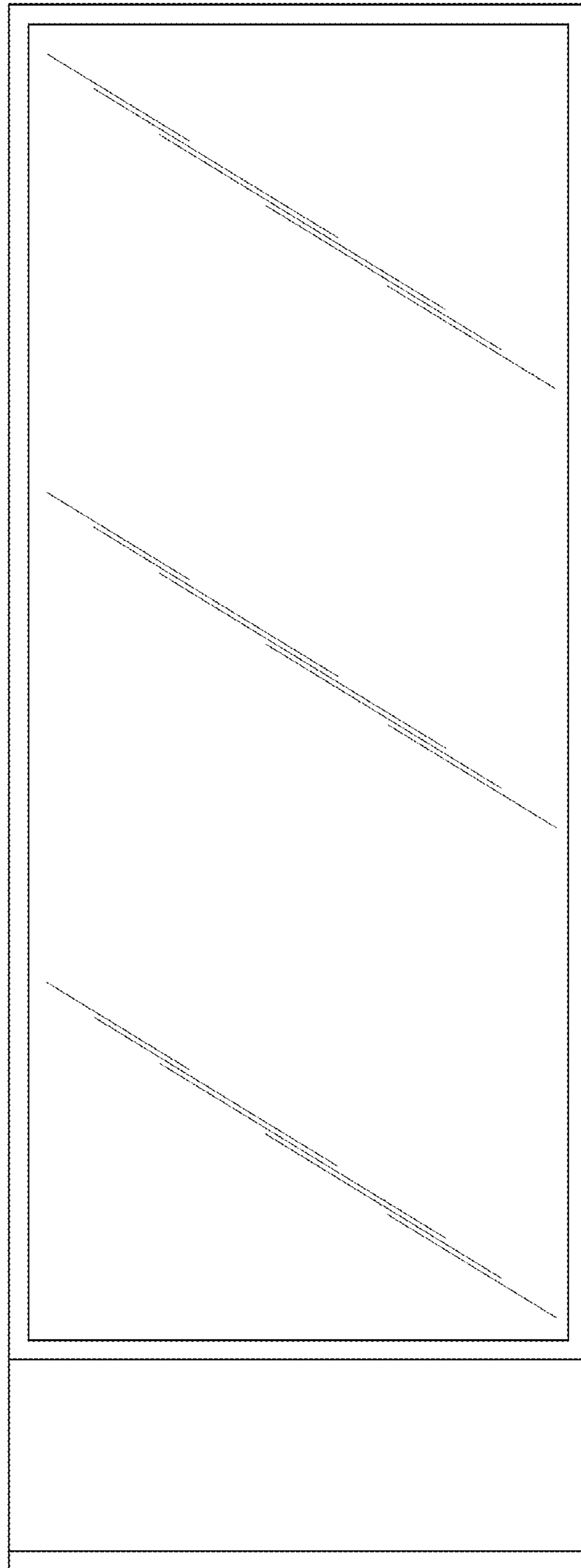


FIG. 11

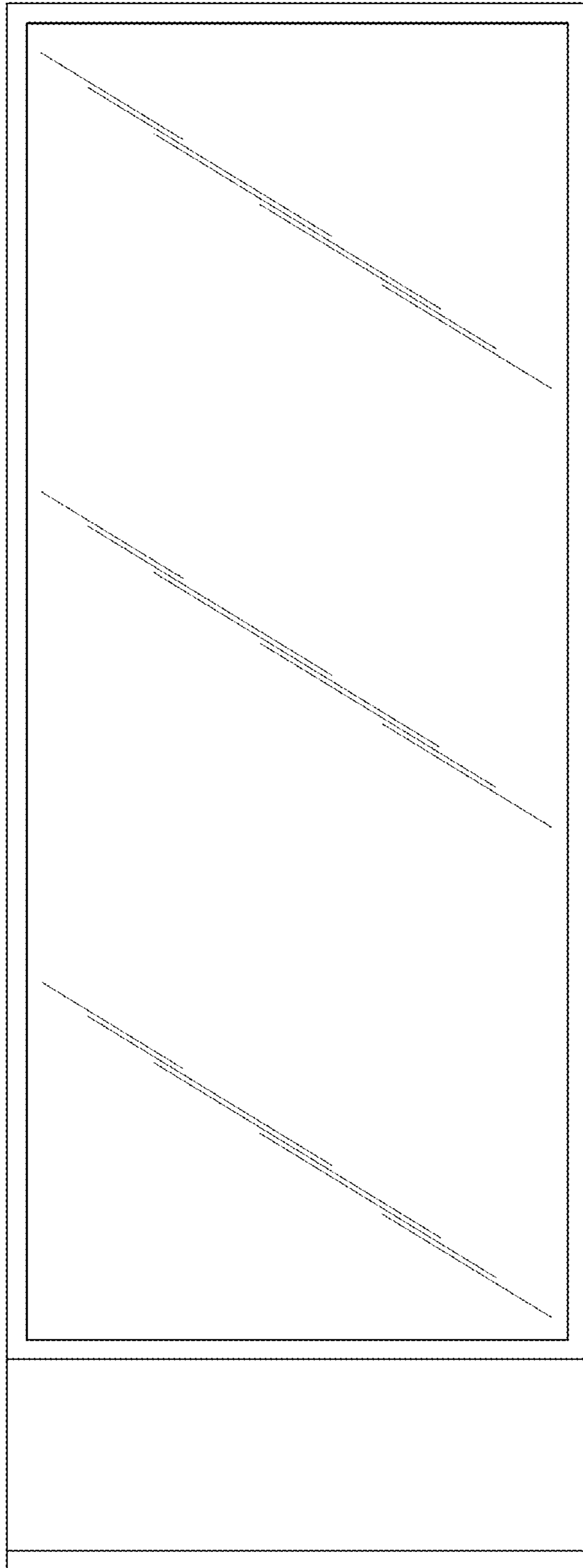


FIG. 12

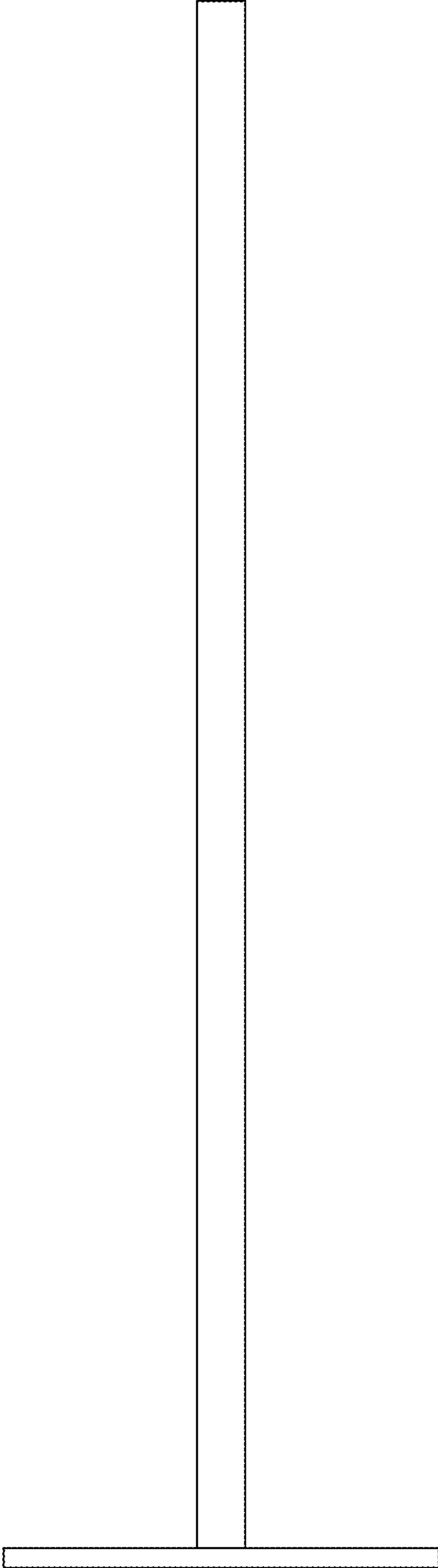


FIG. 13

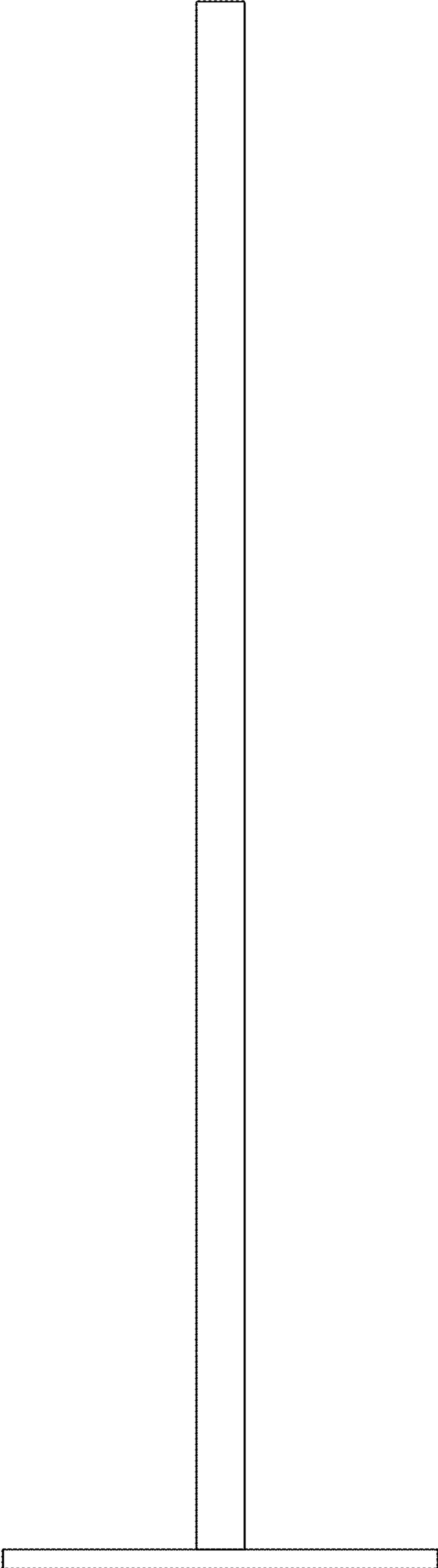


FIG. 14

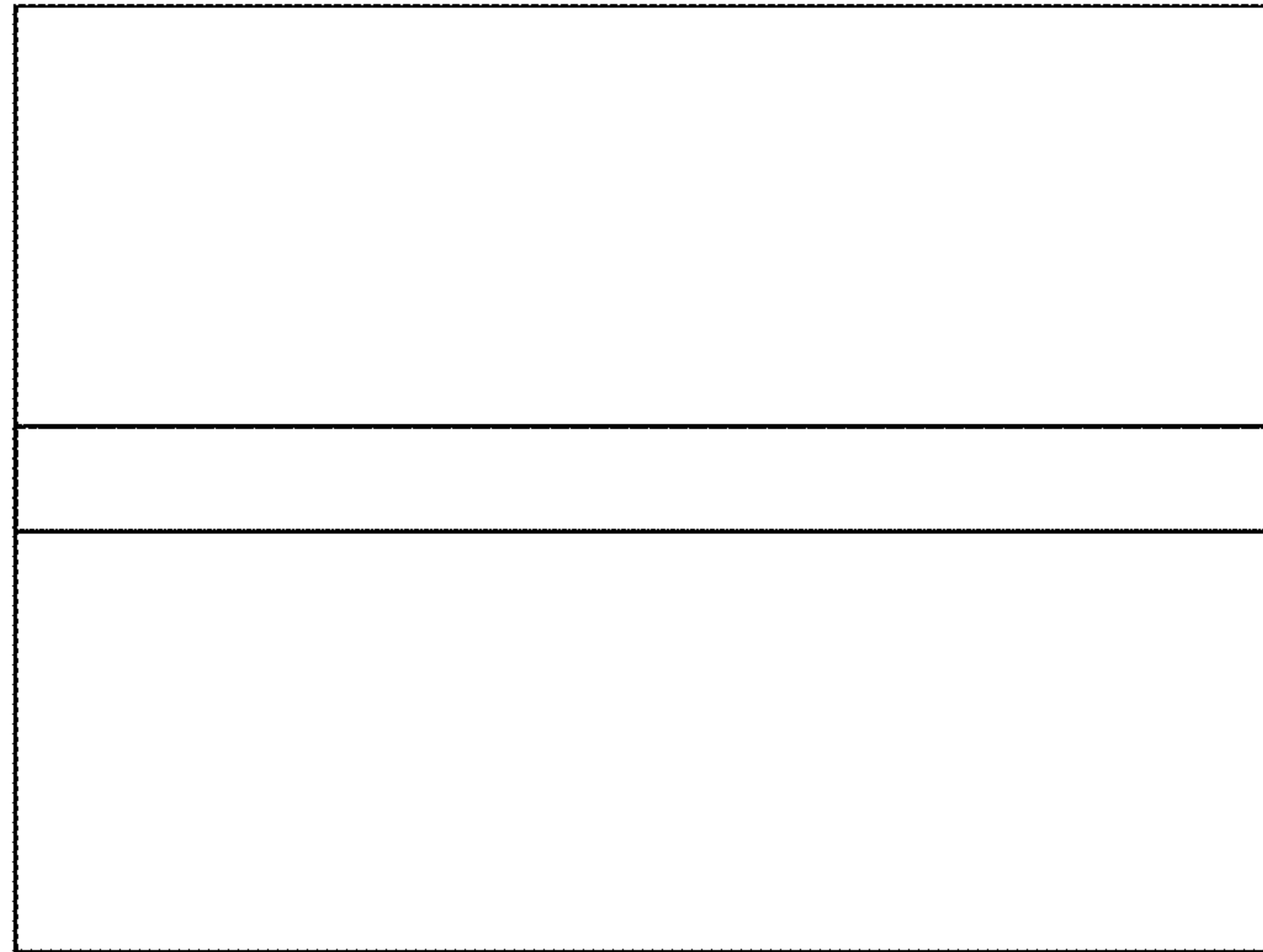


FIG. 15

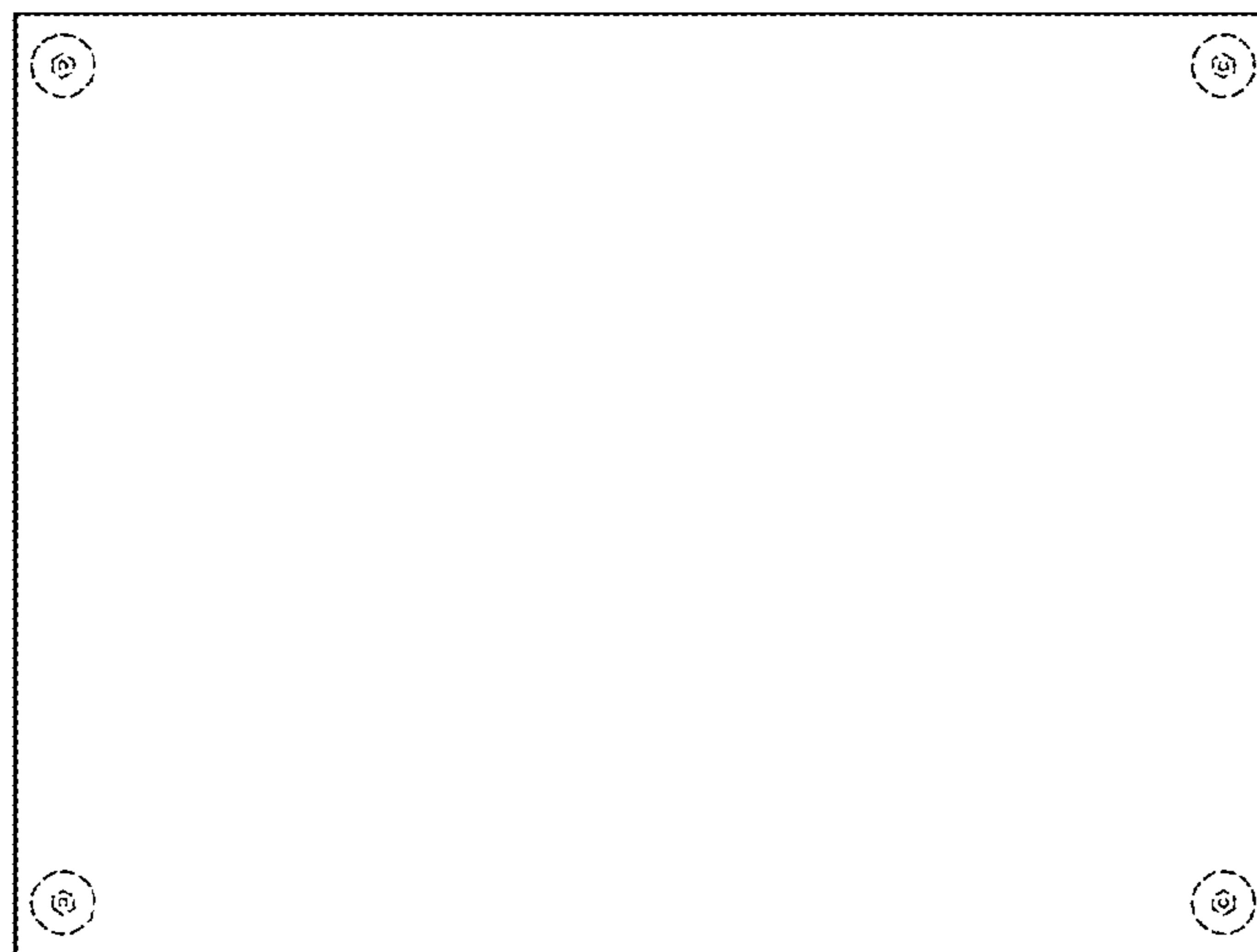


FIG. 16