



US00D708456S

(12) **United States Design Patent**
Gil Gomez et al.

(10) **Patent No.:** **US D708,456 S**
(45) **Date of Patent:** **** Jul. 8, 2014**

(54) **PATIENT TRANSFER MATTRESS COVER**

(71) Applicant: **Ecolab USA Inc.**, St. Paul, MN (US)

(72) Inventors: **Michael Alberto Gil Gomez**, Atlanta, GA (US); **Michelle R. Wilson**, Caledonia, MS (US); **Matthew S. Heinrich**, Seattle, WA (US); **Shelly Brackett**, Eugene, OR (US)

(73) Assignee: **Ecolab USA Inc.**, Saint Paul, MN (US)

(**) Term: **14 Years**

(21) Appl. No.: **29/466,170**

(22) Filed: **Sep. 5, 2013**

Related U.S. Application Data

(62) Division of application No. 29/439,072, filed on Dec. 6, 2012, now Pat. No. Des. 691,832, and a division of application No. 29/399,569, filed on Aug. 16, 2011, now Pat. No. Des. 675,467.

(51) **LOC (10) Cl.** **06-13**

(52) **U.S. Cl.**
USPC **D6/606**

(58) **Field of Classification Search**
USPC D6/595-603, 606; 5/81.1 R, 81.1 T, 417, 5/420, 487, 494, 499, 501, 600, 624-626, 5/658, 662, 699, 723, 737, 738; D24/183, 184; D12/133

See application file for complete search history.

(56) **References Cited**

U.S. PATENT DOCUMENTS

1,697,633 A 1/1929 Copeland et al.
2,343,260 A 3/1944 Leader et al.
3,893,198 A 7/1975 Blair
3,935,604 A 2/1976 Collins
4,092,750 A 6/1978 Ellis

4,675,925 A * 6/1987 Littleton 5/607
4,744,115 A 5/1988 Marchione
4,872,226 A 10/1989 Lonardo
5,065,464 A 11/1991 Blanchard et al.
5,138,731 A 8/1992 Harcrow, Jr.
5,452,487 A 9/1995 Leggett

(Continued)

FOREIGN PATENT DOCUMENTS

GB 2447406 A 9/2008
WO WO2010082021 A1 7/2010

Primary Examiner — Mary Ann Calabrese

(74) *Attorney, Agent, or Firm* — McKee, Voorhees & Sease, P.L.C.

(57) **CLAIM**

The ornamental design for patient transfer mattress cover, as shown and described.

DESCRIPTION

FIG. 1 is a top side perspective view of a patient transfer mattress cover;

FIG. 2 is a bottom side perspective view of the patient transfer mattress cover shown in FIG. 1;

FIG. 3 is a top plan view of the patient transfer mattress cover shown in FIG. 1;

FIG. 4 is a bottom plan view of the patient transfer mattress cover shown in FIG. 1;

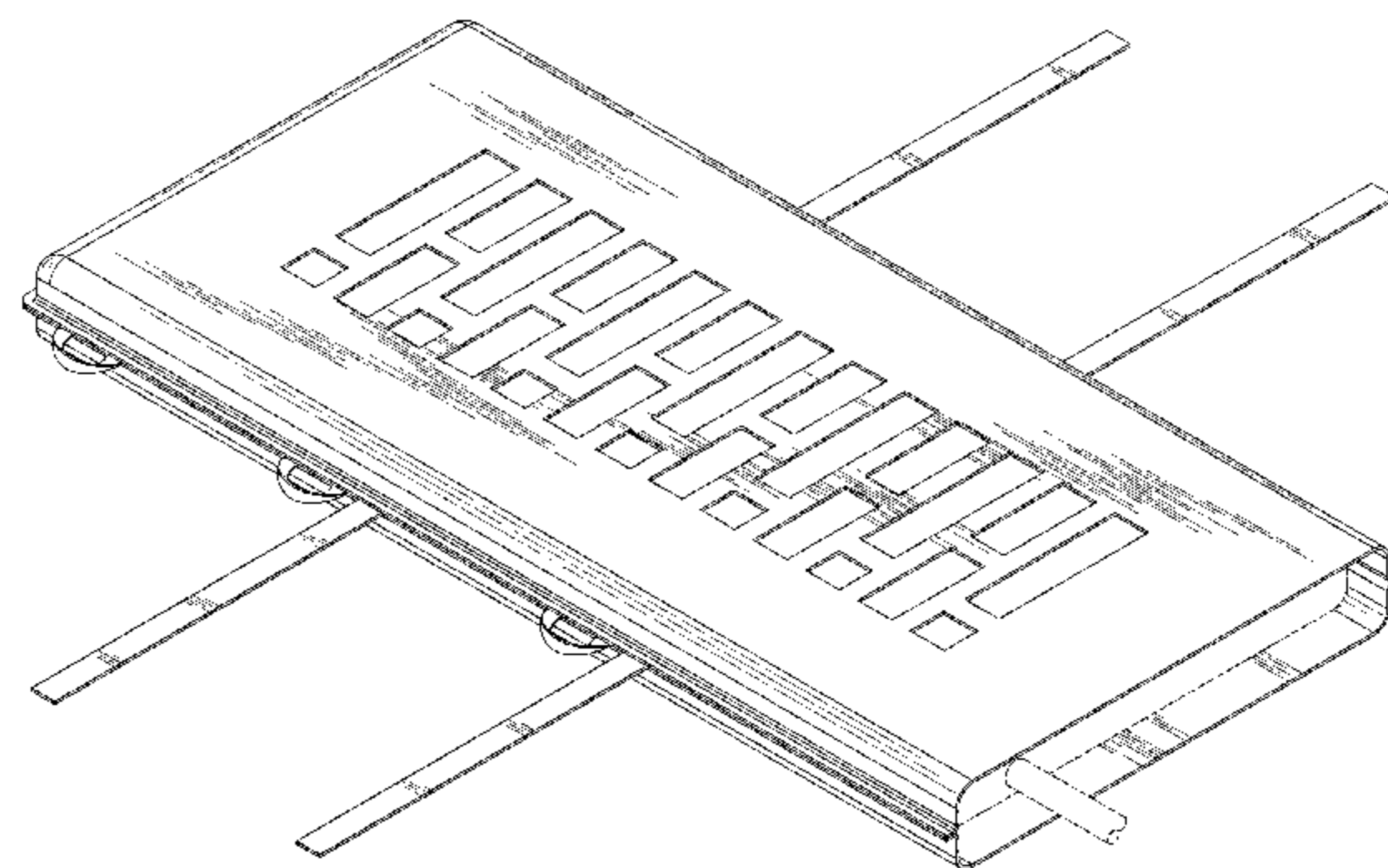
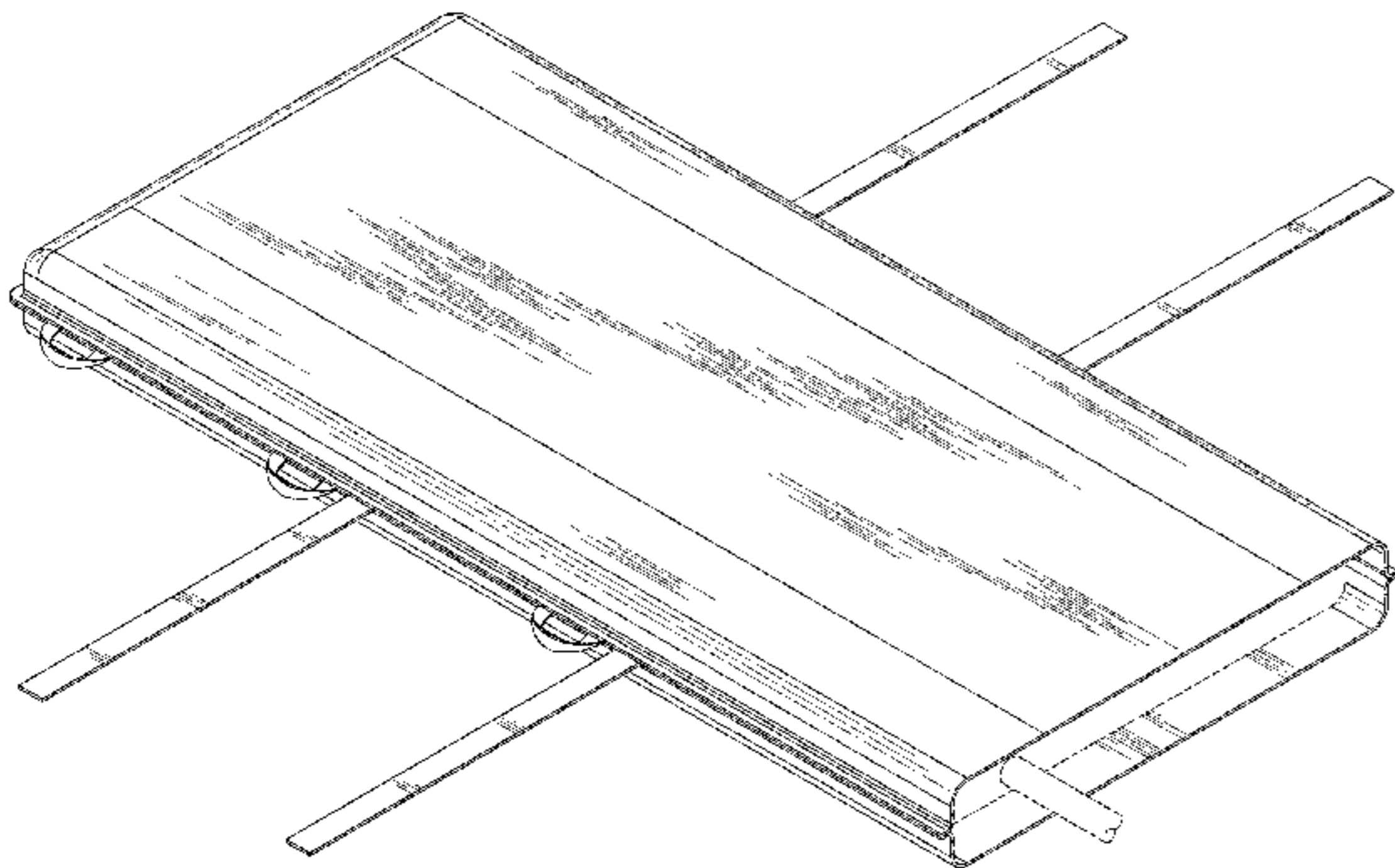
FIG. 5 is an end view of the patient transfer mattress cover shown in FIG. 1;

FIG. 6 is an opposite end view of the patient transfer mattress cover shown in FIG. 1; and,

FIG. 7 is a side view of the patient transfer mattress cover shown in FIG. 1.

In the drawings, the broken lines represent features of the patient transfer mattress cover that form no part of the claimed design. FIGS. 3 and 4 include portions shown broken away for ease of disclosure on the drawing sheet.

1 Claim, 5 Drawing Sheets



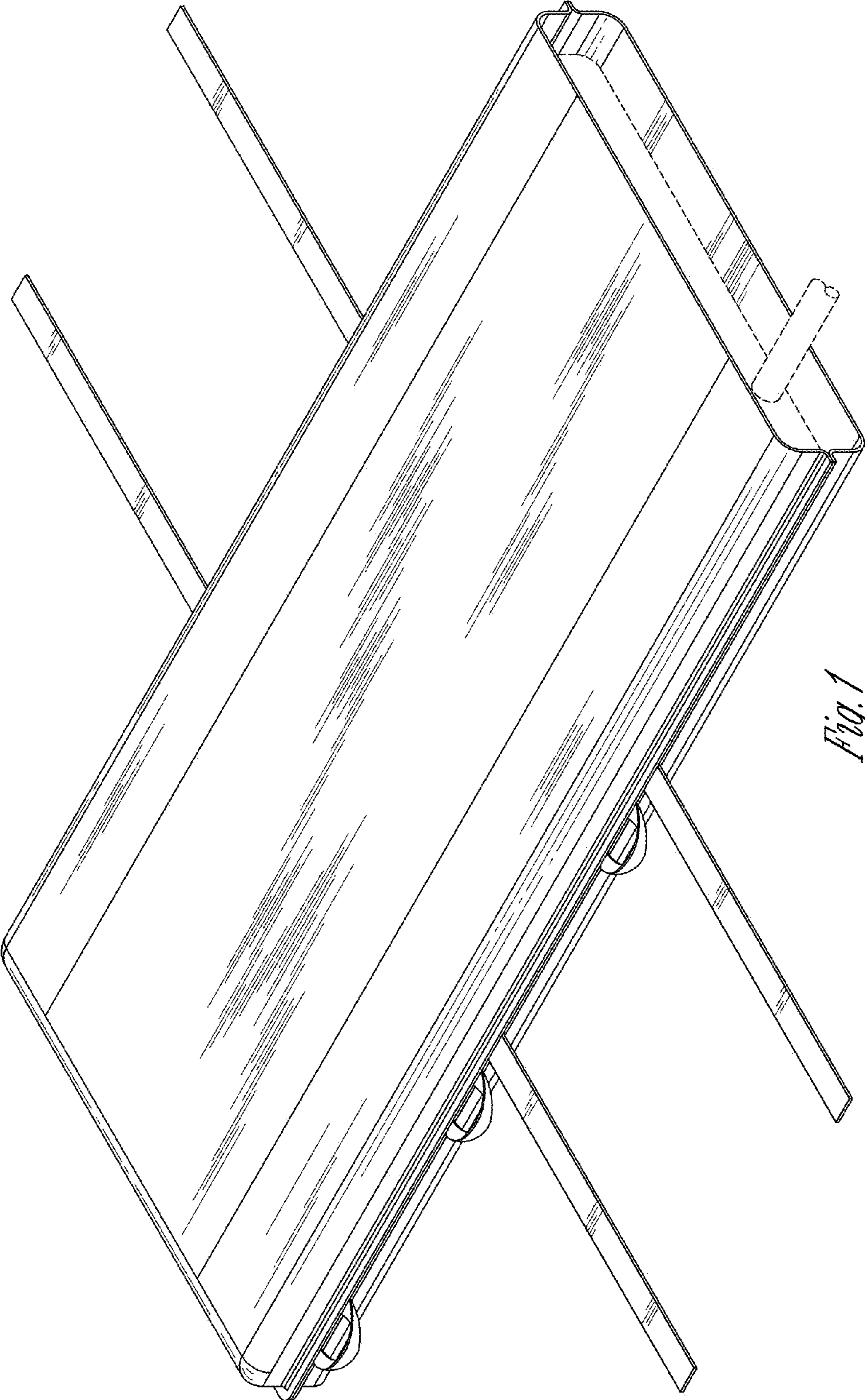


Fig. 1

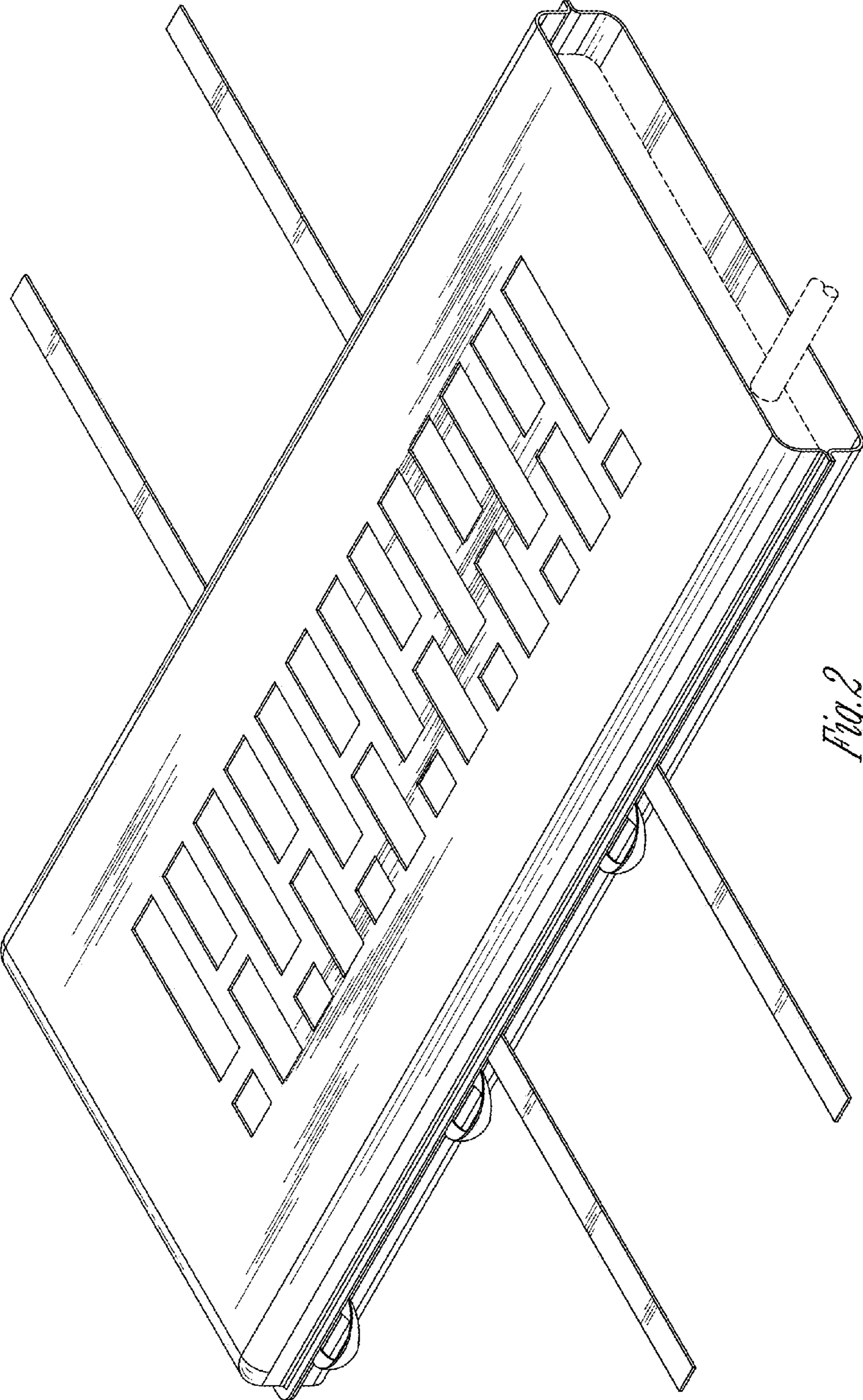


Fig. 2

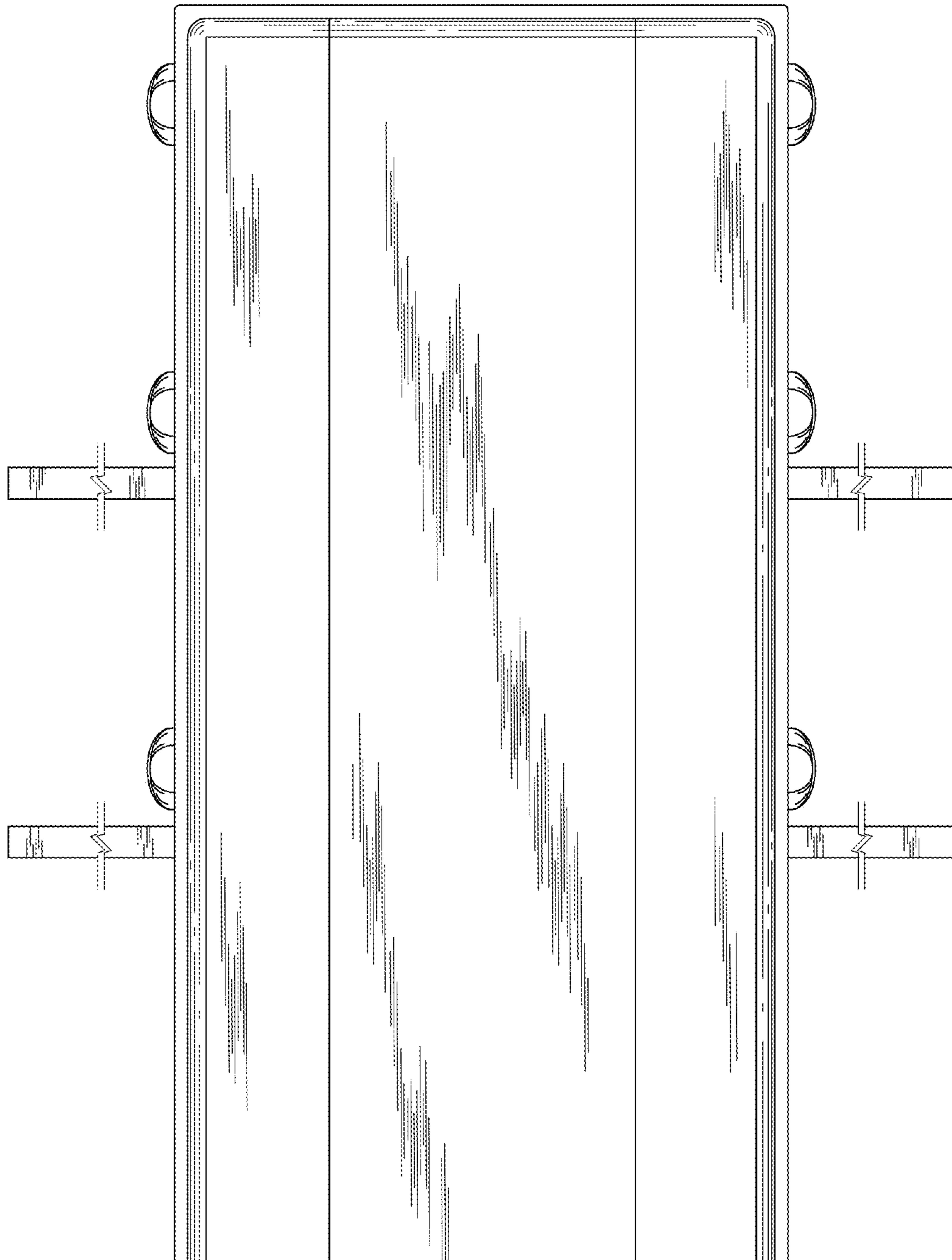


Fig. 3

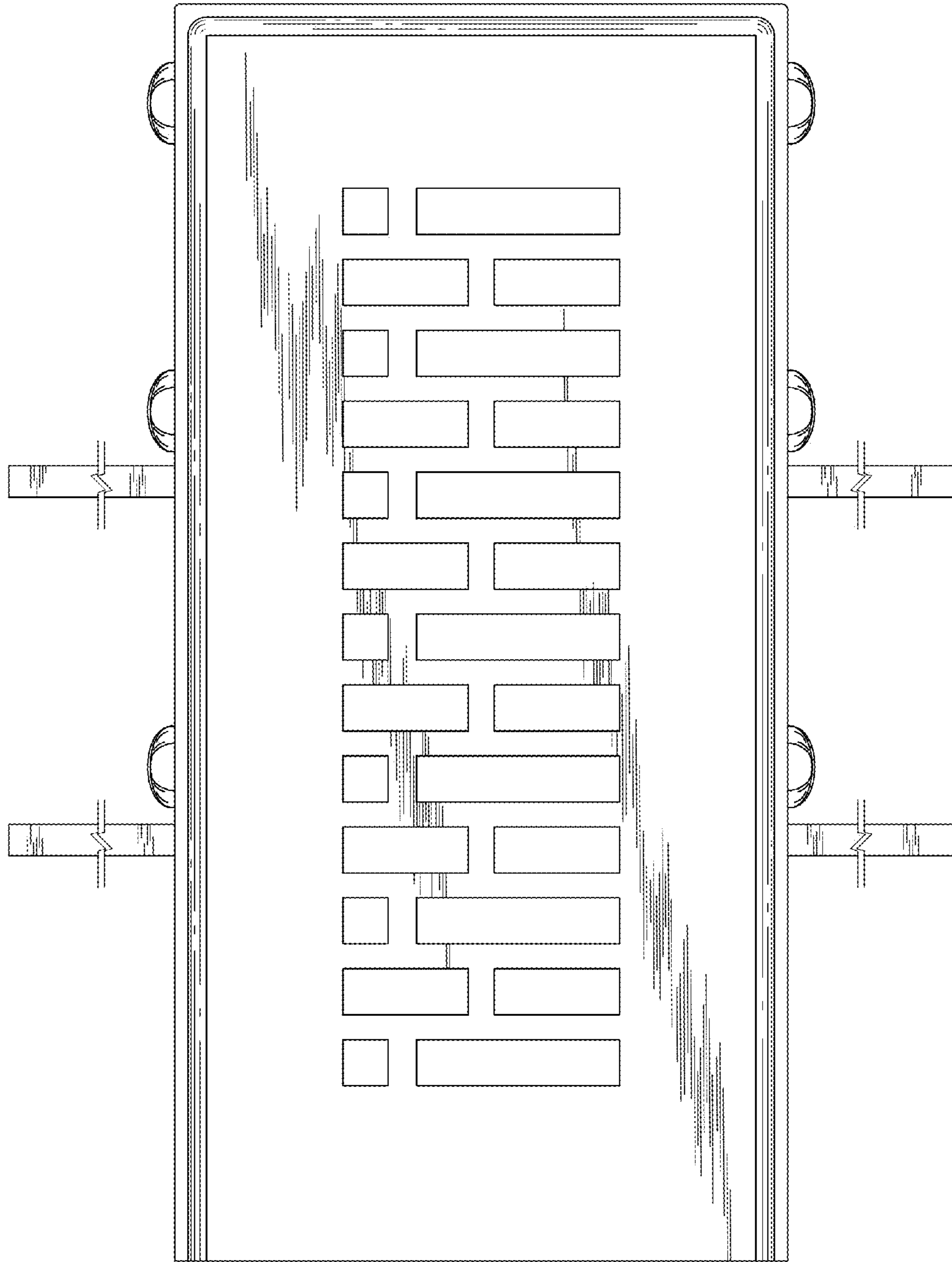


Fig. 4

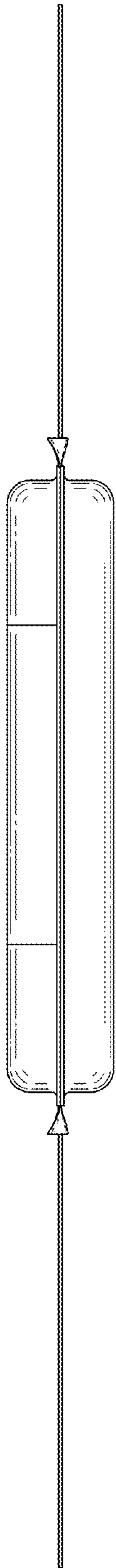


Fig. 5

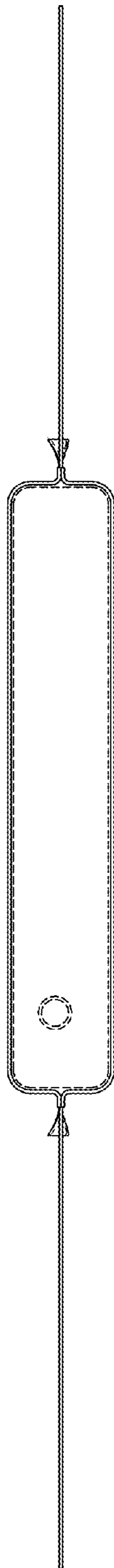


Fig. 6

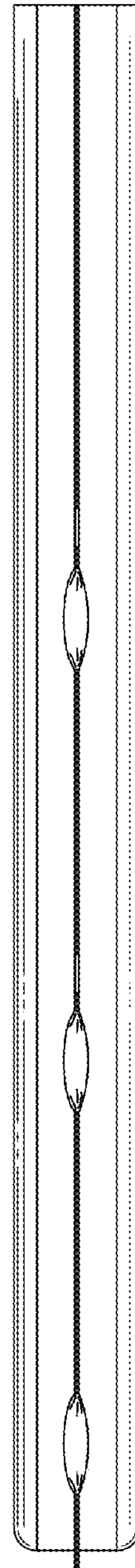


Fig. 7