



US00D708454S

(12) **United States Design Patent**
Chen

(10) **Patent No.:** **US D708,454 S**

(45) **Date of Patent:** **** Jul. 8, 2014**

(54) **CUSHION**

(71) Applicant: **Forsound Corp.**, Kaohsiung (TW)

(72) Inventor: **Fu-Chieng Chen**, Kaohsiung (TW)

(73) Assignee: **Forsound Corp.**, Kaohsiung (TW)

(**) Term: **14 Years**

(21) Appl. No.: **29/441,444**

(22) Filed: **Jan. 4, 2013**

(51) **LOC (10) Cl.** **06-09**

(52) **U.S. Cl.**
USPC **D6/601**

(58) **Field of Classification Search**
USPC D6/595, 596, 601, 604; 5/630, 636,
5/648, 652-655, 655.3, 655.9, 656,
5/657.5, 417, 420

See application file for complete search history.

(56) **References Cited**

U.S. PATENT DOCUMENTS

D377,880 S *	2/1997	Oyama, Jr.	D6/601
D474,637 S *	5/2003	Scheetz	D6/601
7,810,193 B1 *	10/2010	Ennis et al.	5/655.3
D657,604 S *	4/2012	Chen	D6/601
2013/0232697 A1 *	9/2013	Chen	5/654

* cited by examiner

Primary Examiner — Janice Seeger

(74) *Attorney, Agent, or Firm* — Ming Chow; Sinorica, LLC

(57) **CLAIM**

The ornamental design for a cushion, as shown.

DESCRIPTION

FIG. 1 is a top perspective view of a cushion showing my new design;

FIG. 2 is a front perspective view thereof.

FIG. 3 is a rear perspective view thereof.

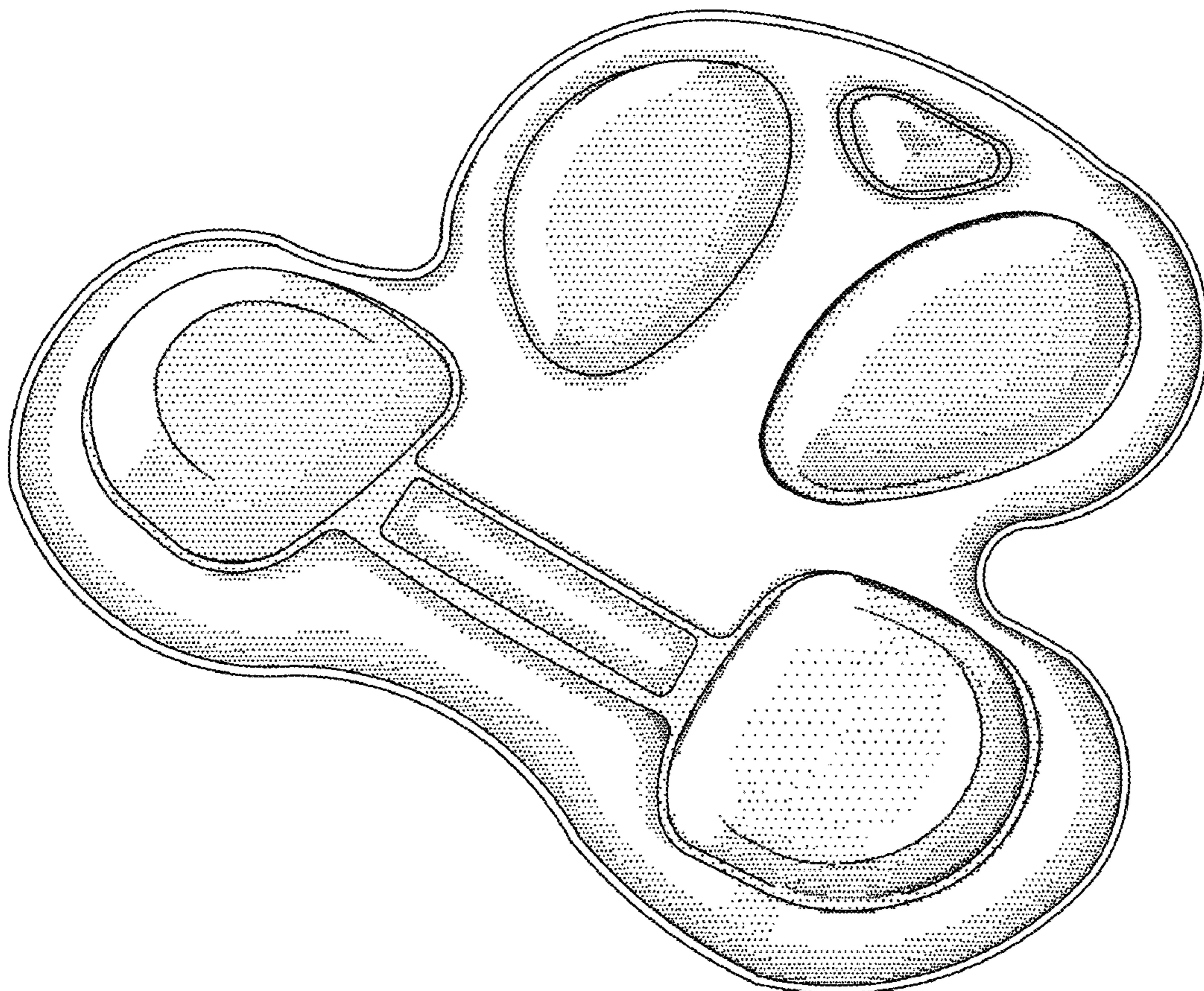
FIG. 4 is a left side elevation view thereof.

FIG. 5 is a right side elevation view thereof.

FIG. 6 is a top plan view thereof; and,

FIG. 7 is a bottom plan view thereof.

1 Claim, 7 Drawing Sheets



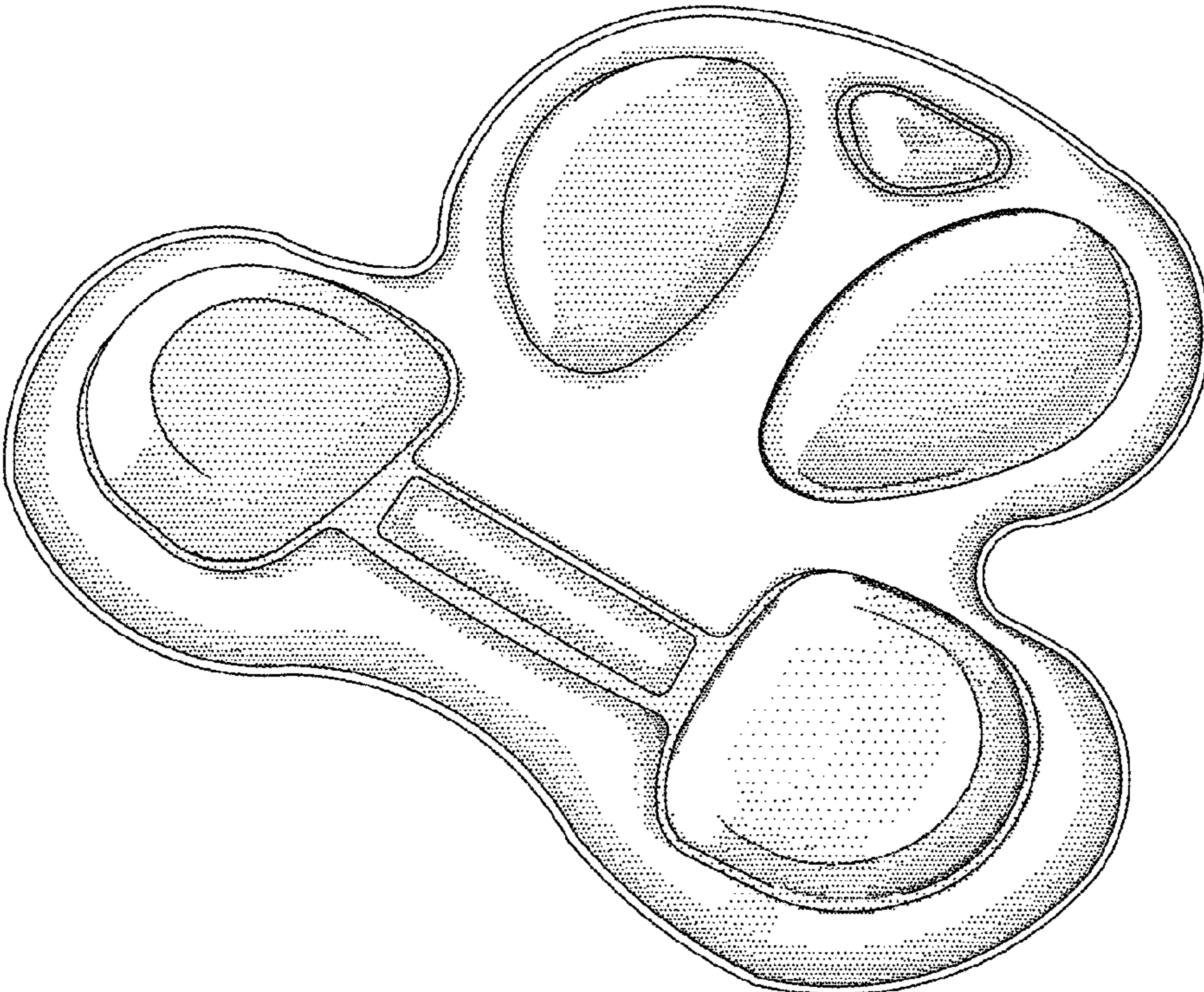


FIG. 1

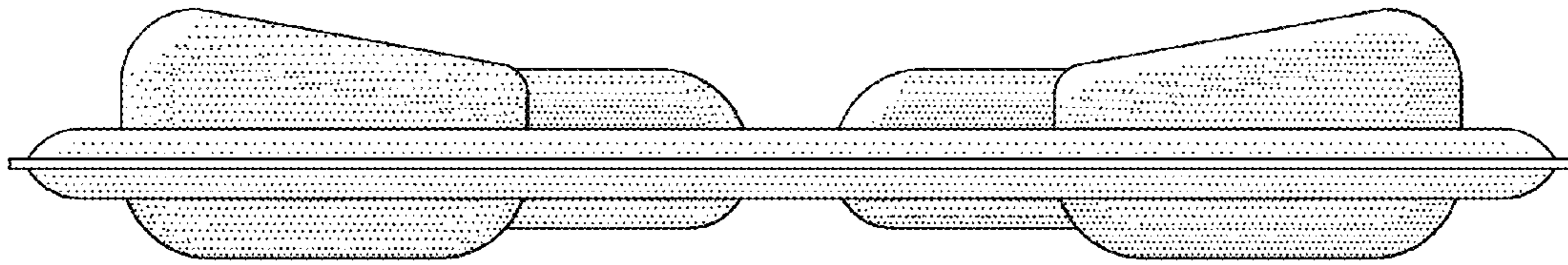


FIG. 2

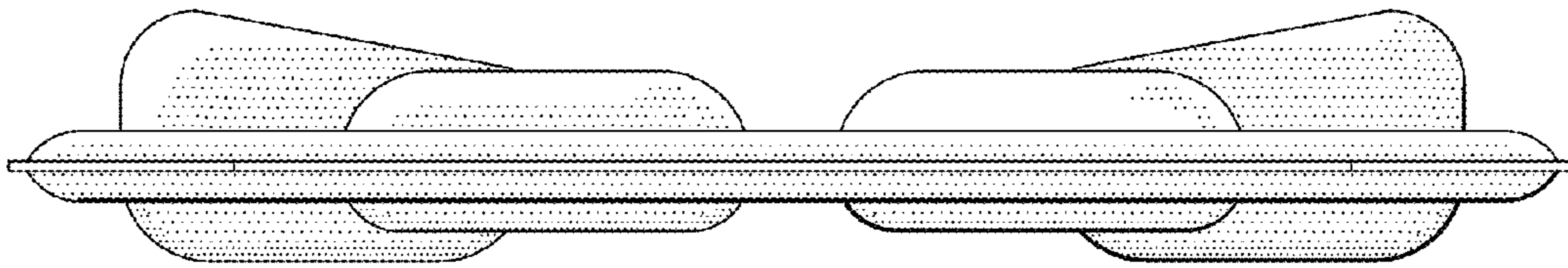


FIG. 3

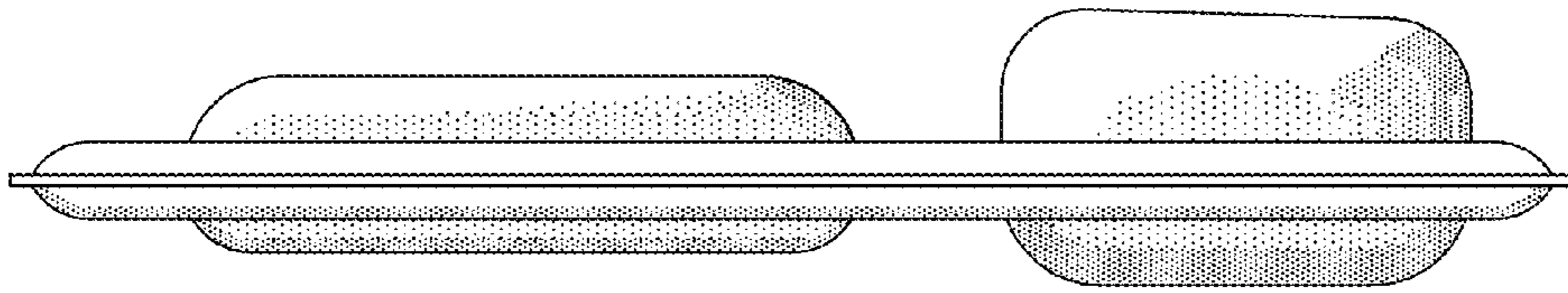


FIG. 4

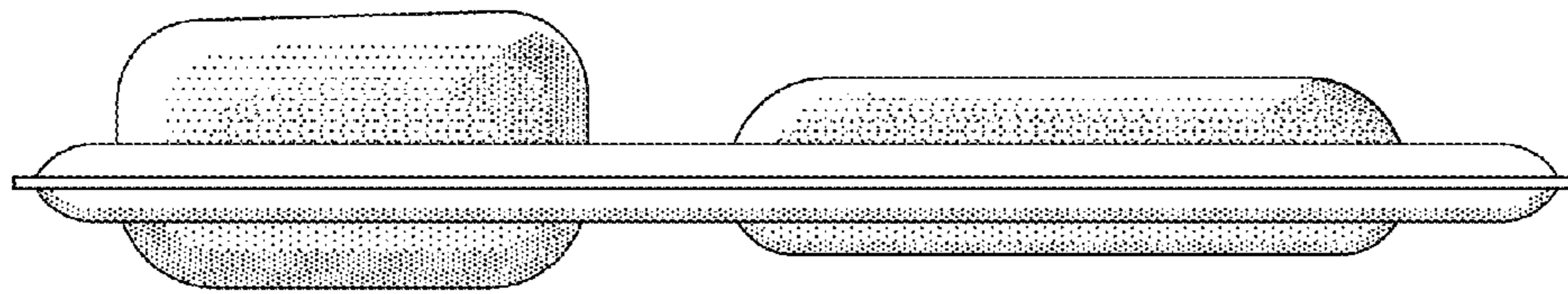


FIG. 5

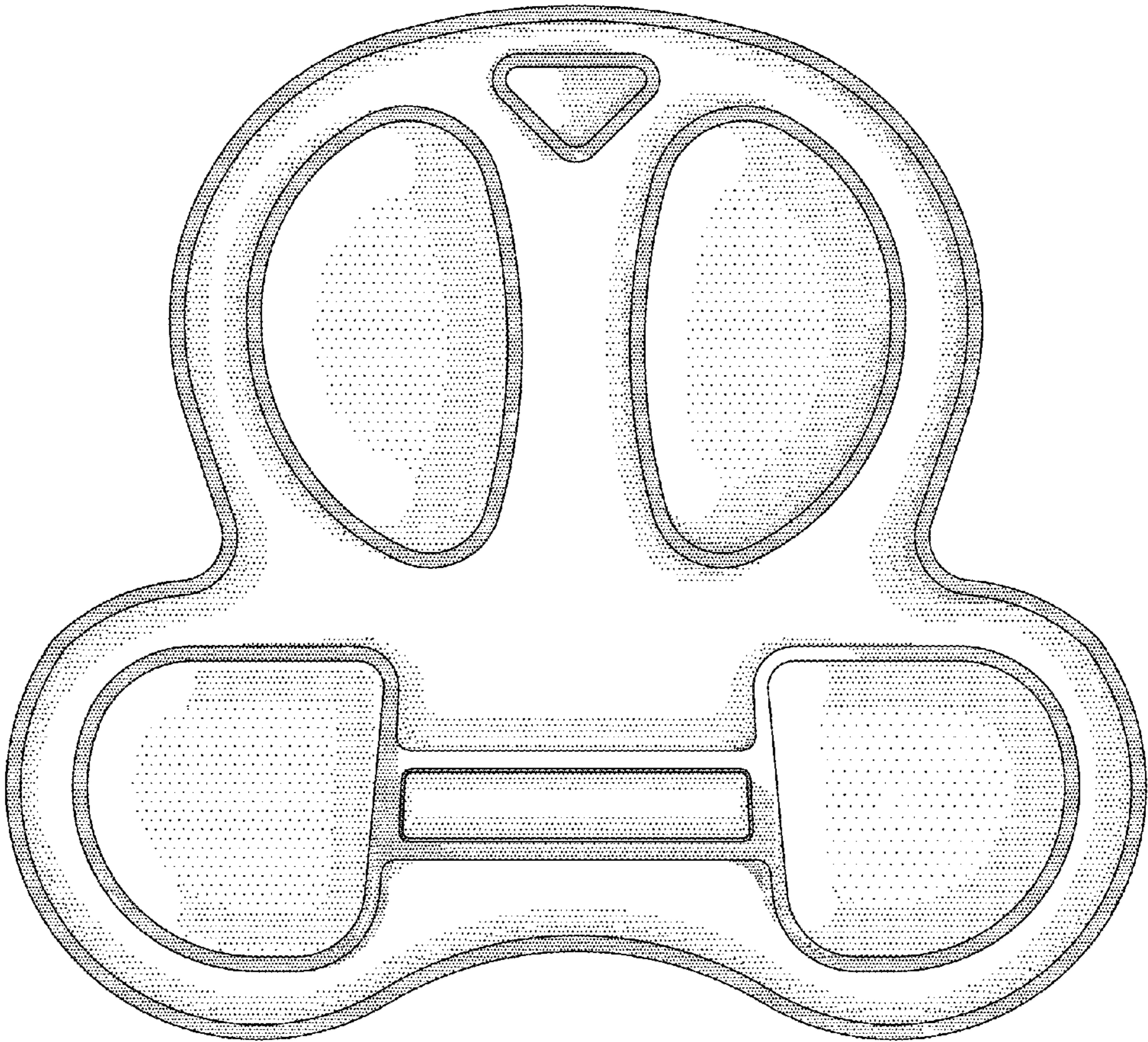


FIG. 6

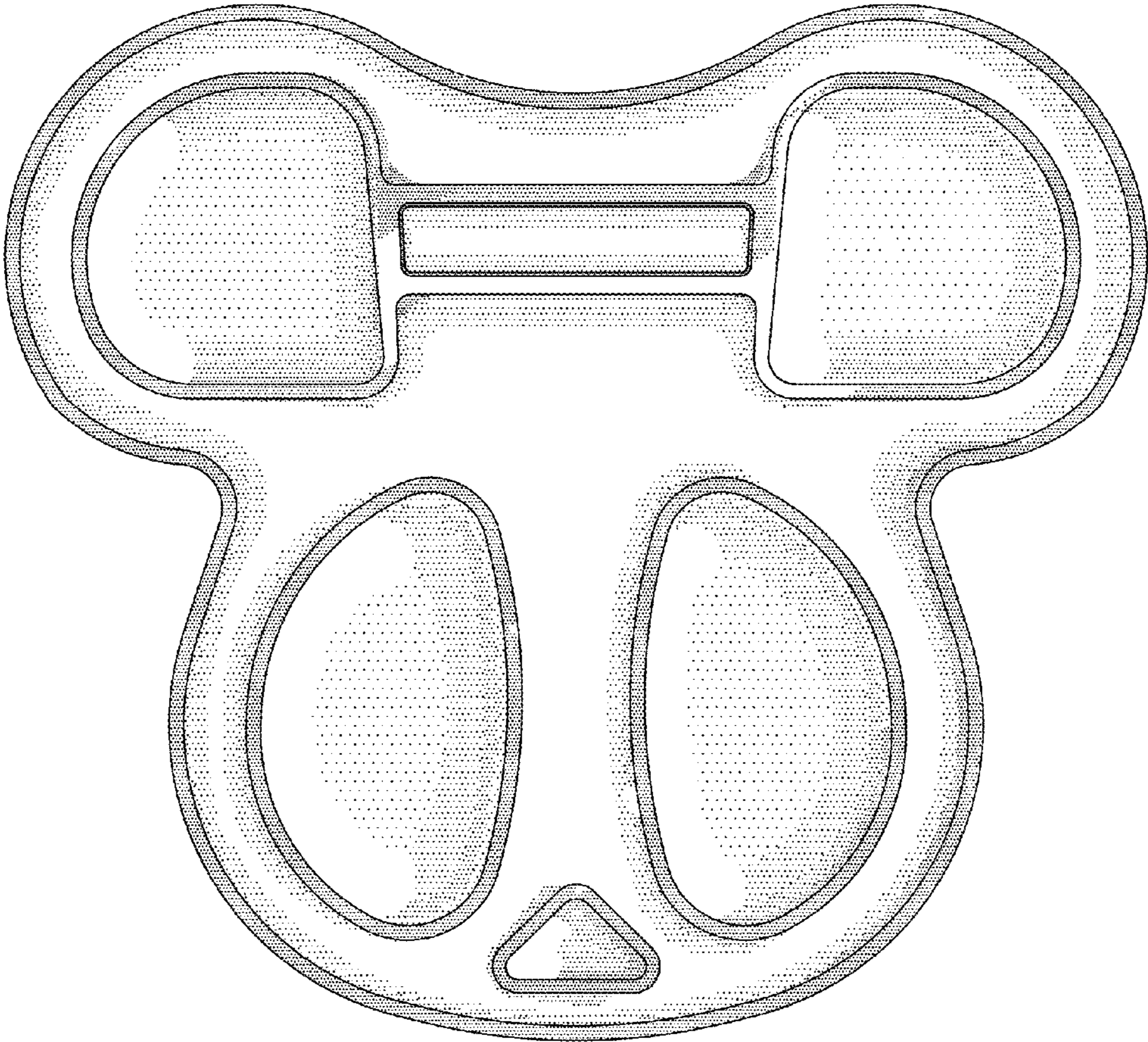


FIG. 7