

US00D708453S

(12) **United States Design Patent**  
**Perkins, Sr.**

(10) **Patent No.:** **US D708,453 S**  
(45) **Date of Patent:** **\*\* Jul. 8, 2014**

(54) **SOAP MOLDING DISH**

D372,155 S \* 7/1996 Black ..... D6/536  
D484,305 S \* 12/2003 Eldon et al. .... D6/536  
D553,889 S \* 10/2007 Egawa ..... D6/536

(71) Applicant: **John William Perkins, Sr.**, Louisville,  
KY (US)

\* cited by examiner

(72) Inventor: **John William Perkins, Sr.**, Louisville,  
KY (US)

*Primary Examiner* — Brian N Vinson  
(74) *Attorney, Agent, or Firm* — Gulf Coast Intellectual  
Property Group

(\*\*) Term: **14 Years**

(21) Appl. No.: **29/434,647**

(57) **CLAIM**  
The ornamental design for a soap molding dish, as shown and  
described.

(22) Filed: **Oct. 15, 2012**

(51) **LOC (10) Cl.** ..... **23-02**

(52) **U.S. Cl.**  
USPC ..... **D6/535**

**DESCRIPTION**

(58) **Field of Classification Search**  
USPC ..... D6/536-540, 532; D7/502, 550, 554.2;  
D9/682, 690, 692; 206/77.1, 557, 587,  
206/823; 211/13.1, 85.4, 85.12, 88.01;  
248/176.1

FIG. 1 is a perspective view of a soap molding dish showing  
our new design, the dish being shown in an opened position,  
and the broken-line disclosure being understood to represent  
portions of the dish which form no part of the claimed design;  
FIG. 2 is a left side elevational view thereof, in a closed  
position;  
FIG. 3 is a right side elevational view thereof, in a closed  
position;  
FIG. 4 is a top plan view thereof, in a closed position; and,  
FIG. 5 is a bottom plan view thereof, in a closed position.

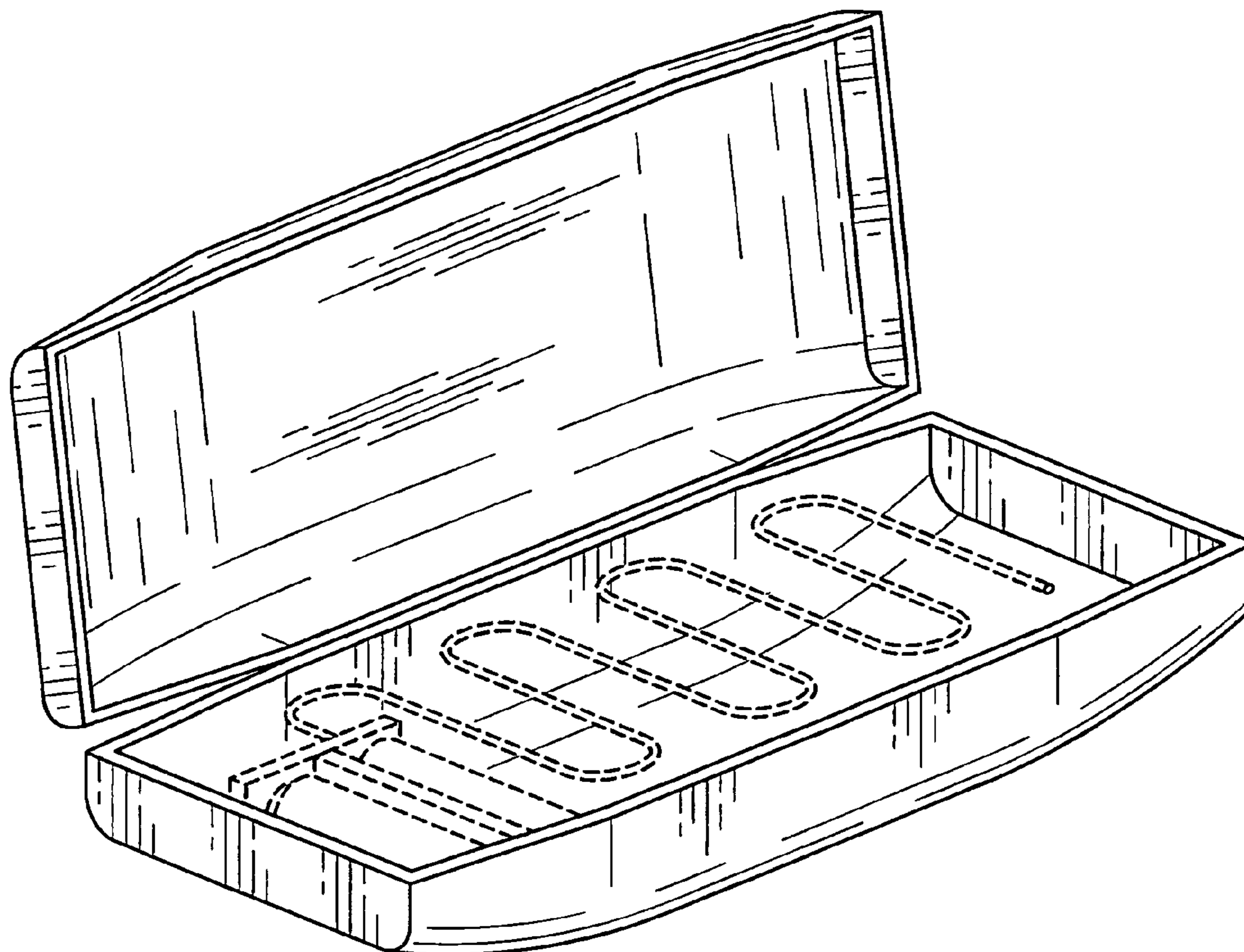
See application file for complete search history.

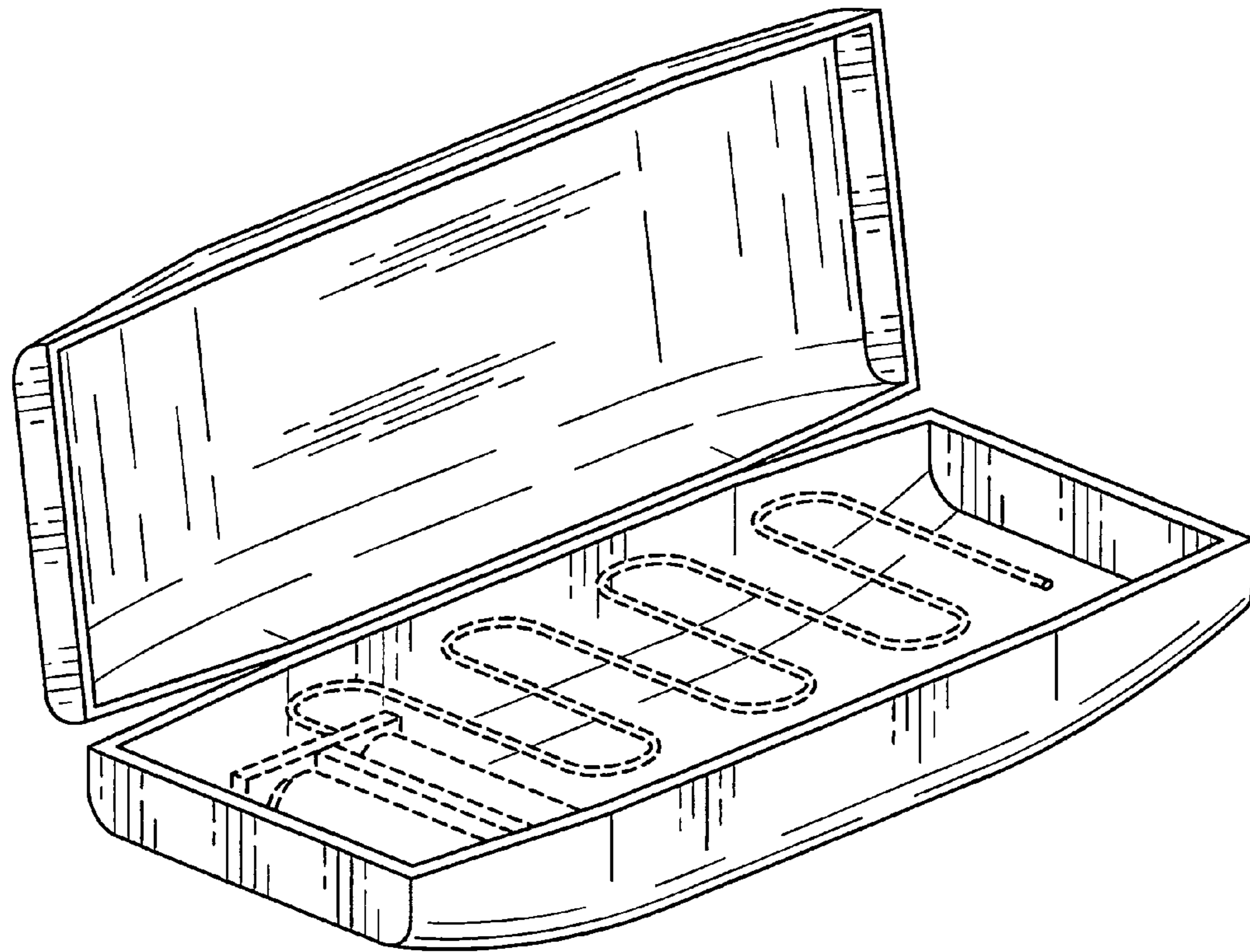
(56) **References Cited**

**U.S. PATENT DOCUMENTS**

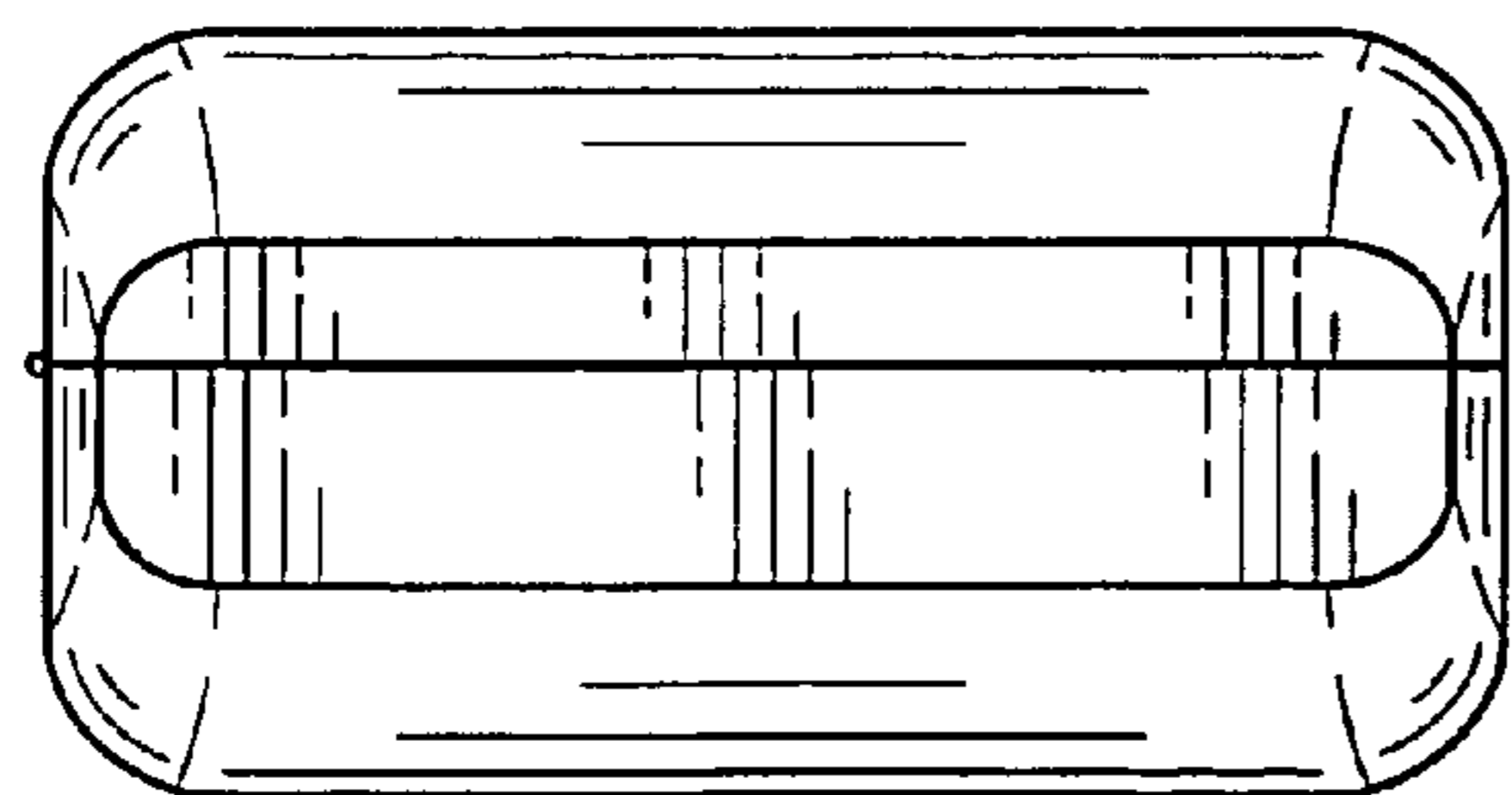
D349,207 S \* 8/1994 Wolff ..... D6/536  
D365,483 S \* 12/1995 Van Dyk ..... D6/536

**1 Claim, 2 Drawing Sheets**

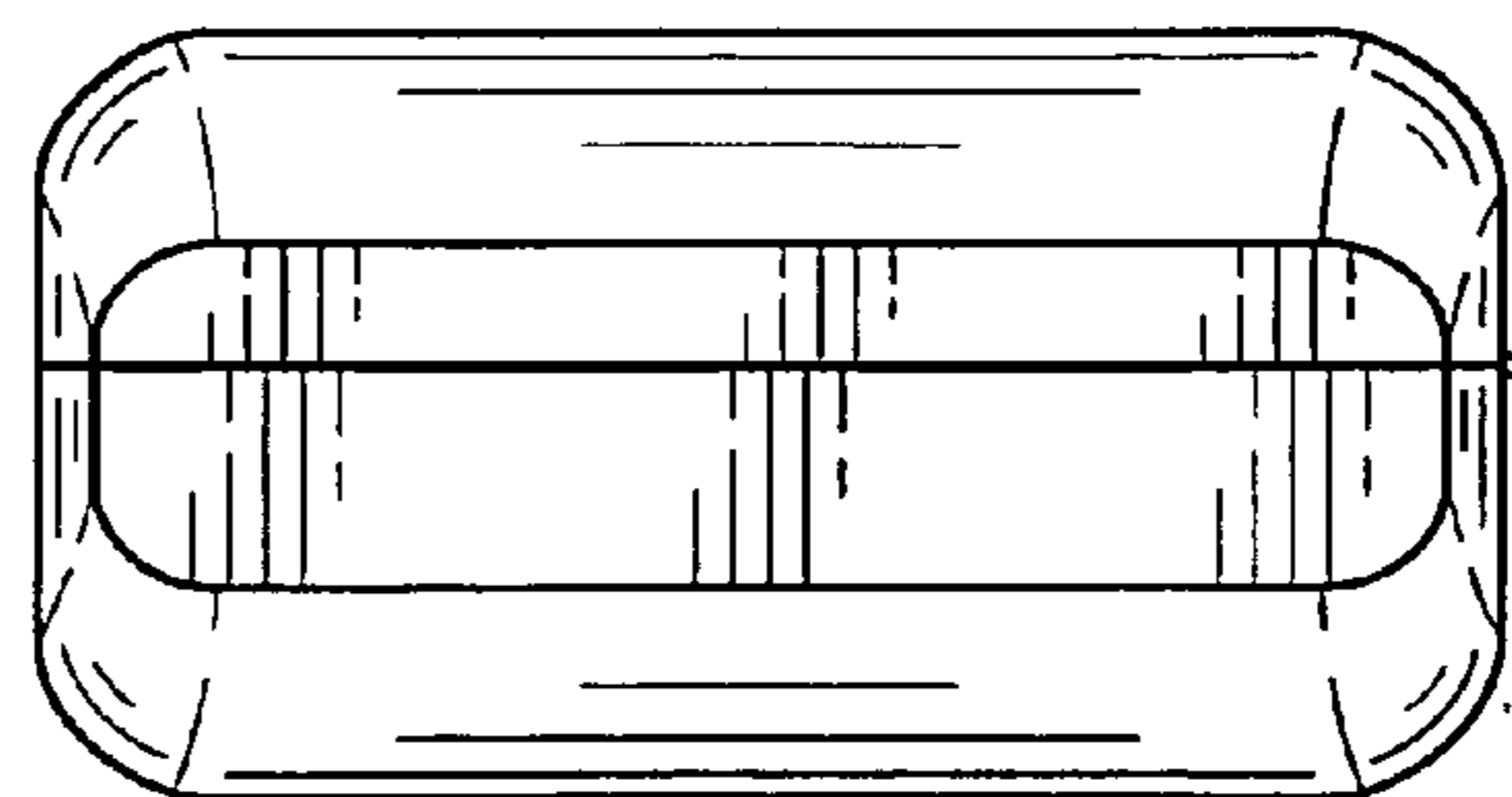




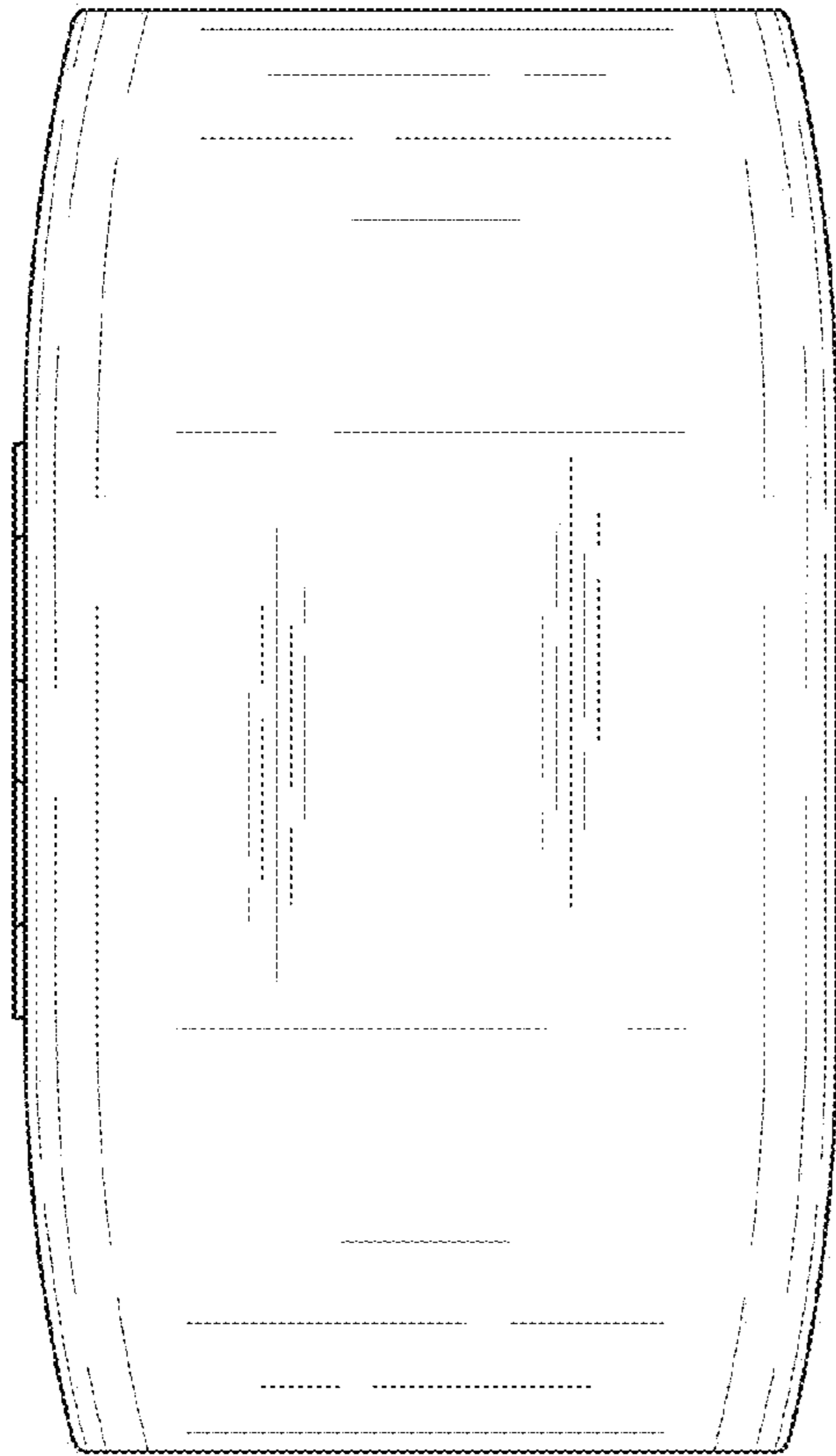
**FIG. 1**



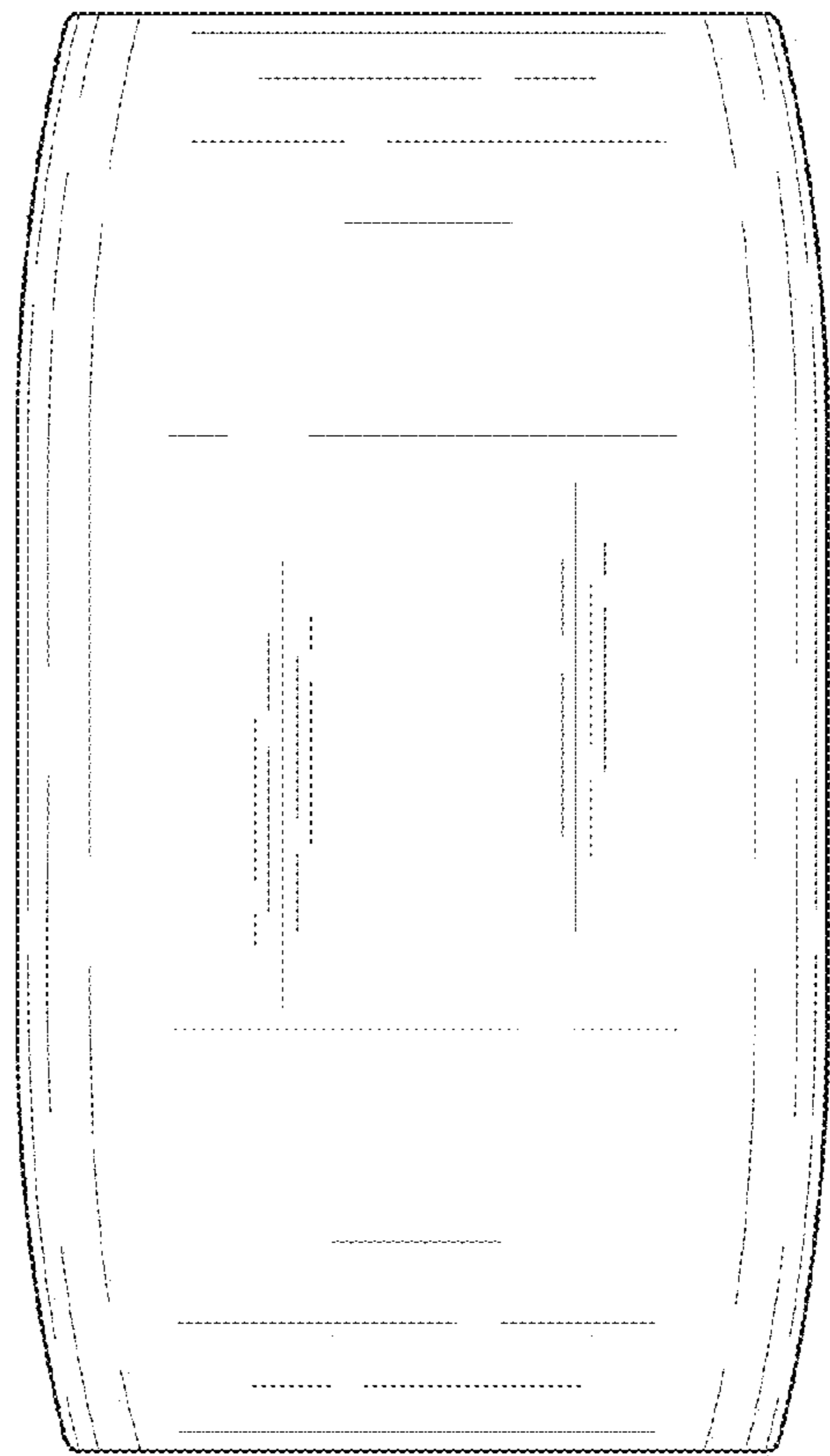
**FIG. 2**



**FIG. 3**



**FIG. 4**



**FIG. 5**