



US00D708451S

(12) **United States Design Patent**
Gashey et al.

(10) **Patent No.:** **US D708,451 S**
(45) **Date of Patent:** **** Jul. 8, 2014**

- (54) **SEAT**
- (71) Applicant: **Steelcase S.A.**, Schiltigheim (FR)
- (72) Inventors: **Bryony Gashey**, Oberhausbergen (FR);
Alban Moriniere, Strasbourg (FR);
Oscar Doll, Strasbourg (FR)
- (73) Assignee: **Steelcase S.A.**, Schiltigheim (FR)
- (*) Notice: This patent is subject to a terminal disclaimer.
- (**) Term: **14 Years**
- (21) Appl. No.: **29/472,116**
- (22) Filed: **Nov. 8, 2013**
- (30) **Foreign Application Priority Data**

May 21, 2013 (EM) 002240549-0003

- (51) **LOC (10) Cl.** **06-01**
- (52) **U.S. Cl.**
USPC **D6/378**
- (58) **Field of Classification Search**
USPC D6/334-336, 364, 371, 373, 377, 378,
D6/381, 716, 716.1, 716.2, 716.3, 716.4;
297/232, 233, 448.2, 451.8, 452.17,
297/452.19
See application file for complete search history.

- (56) **References Cited**
U.S. PATENT DOCUMENTS
D169,911 S 6/1953 Netzer
D181,845 S 1/1958 Frey
2,985,892 A 5/1961 Garrigus, Sr. et al.

- D245,950 S 10/1977 Mathur
- 4,092,049 A 5/1978 Schobblom
- D248,802 S 8/1978 Iselin
- 4,110,855 A 9/1978 Acker
- D252,900 S * 9/1979 Petersilie D6/377
- D259,600 S * 6/1981 Marks D6/378
- D261,955 S 11/1981 Aronowitz et al.
- D262,163 S 12/1981 Aronowitz et al.
- D262,166 S * 12/1981 Aronowitz et al. D6/378
- D268,970 S * 5/1983 Mascheroni D6/378
- D272,968 S 3/1984 Fairaizen
- D273,254 S 4/1984 Fairaizen
- D280,153 S * 8/1985 Hopfer D6/378
- D283,855 S 5/1986 Kujawski
- D335,035 S 4/1993 Floyd
- D433,824 S 11/2000 King
- D454,441 S * 3/2002 Bermudez et al. D6/378
- D476,819 S 7/2003 Williams et al.
- D480,883 S 10/2003 Williams et al.
- D482,535 S 11/2003 Williams et al.
- D510,486 S 10/2005 Karl
- D521,760 S * 5/2006 Auberger D6/378
- D525,802 S 8/2006 Spear
- D526,803 S 8/2006 Lee

(Continued)

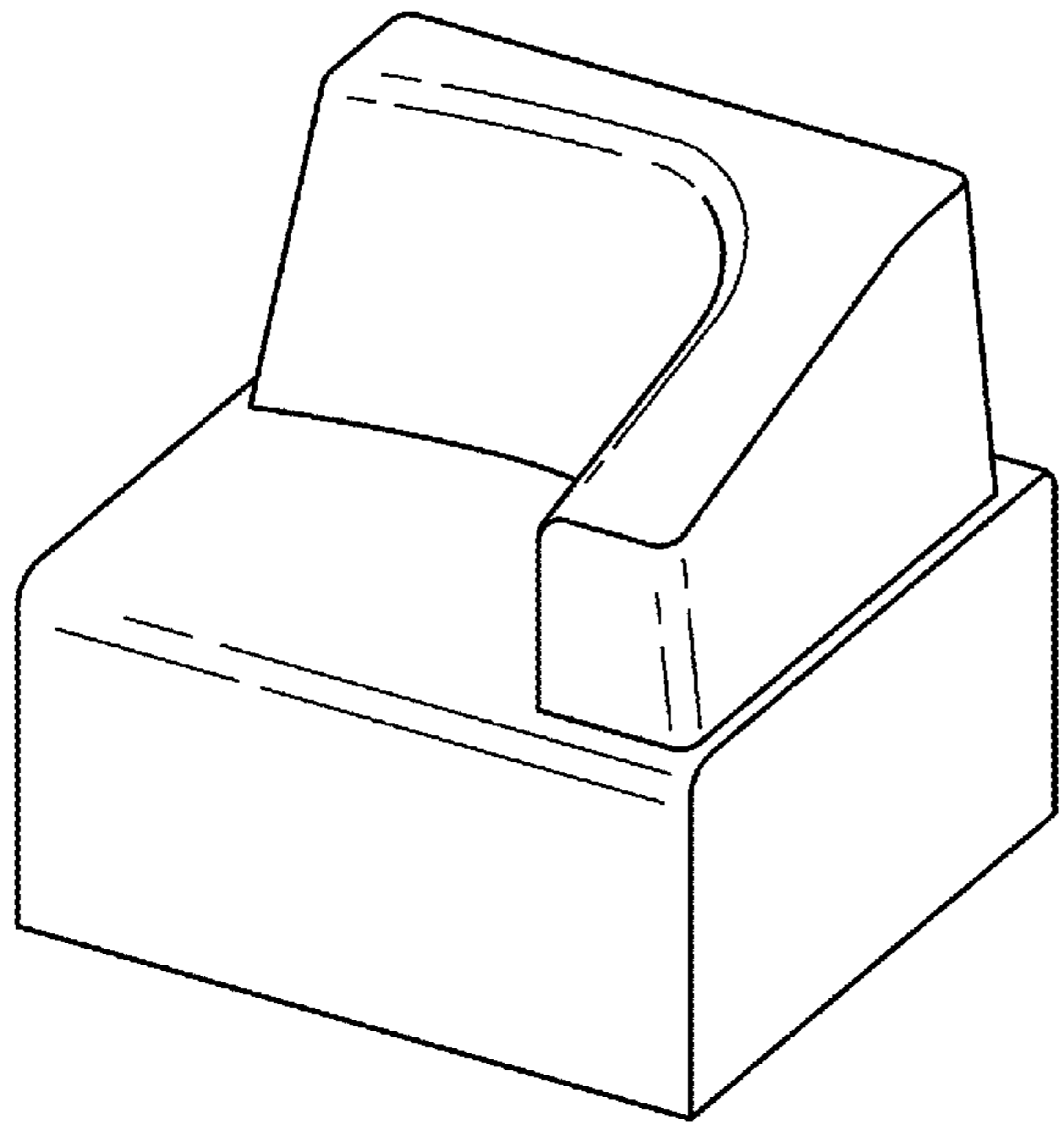
Primary Examiner — Mimoso De

(57) **CLAIM**
We claim the ornamental design for a seat, as shown and described.

DESCRIPTION

FIG. 1 is a front perspective view of a seat;
FIG. 2 is a front view of a seat of FIG. 1;
FIG. 3 is a rear view of a seat of FIG. 1;
FIG. 4 is a right side view of a seat of FIG. 1;
FIG. 5 is a left side view of a seat of FIG. 1;
FIG. 6 is a top view of a seat of FIG. 1; and,
FIG. 7 is a bottom view of a seat of FIG. 1.

1 Claim, 4 Drawing Sheets



(56)

References Cited

U.S. PATENT DOCUMENTS

D538,549 S 3/2007 Spear
D544,723 S * 6/2007 Boutin D6/378
D553,867 S 10/2007 Williams et al.
D566,980 S 4/2008 Mourgue
D567,526 S 4/2008 Williams et al.
D569,112 S 5/2008 Swanson

D577,211 S 9/2008 Natuzzi
D577,925 S * 10/2008 Gomez D6/378
D587,918 S 3/2009 Bergman et al.
D624,328 S 9/2010 Grandin et al.
D639,083 S 6/2011 Martin
D657,155 S 4/2012 Grandin et al.
D676,683 S 2/2013 Martin et al.
D680,762 S 4/2013 Nagata

* cited by examiner

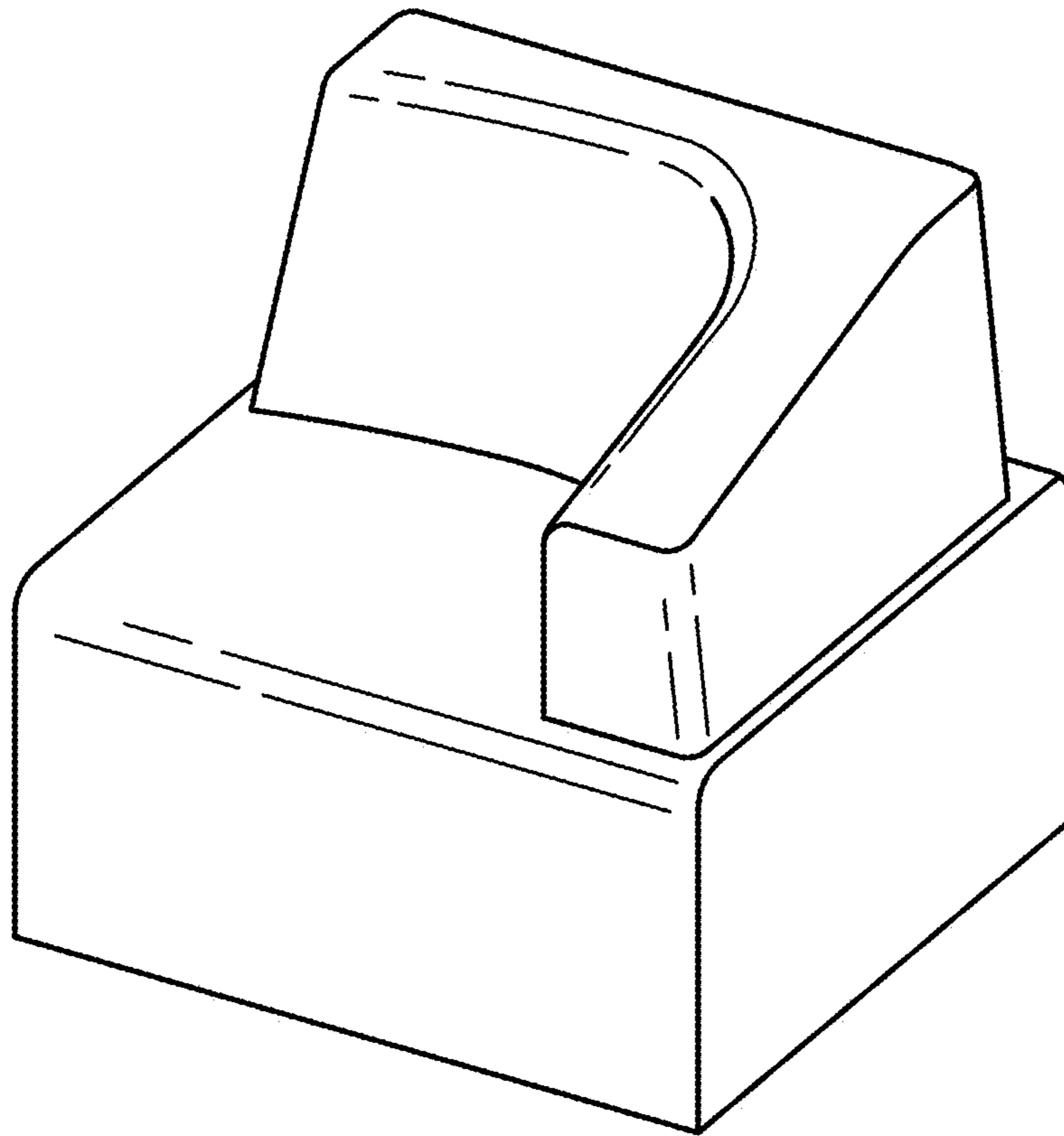


FIG. 1

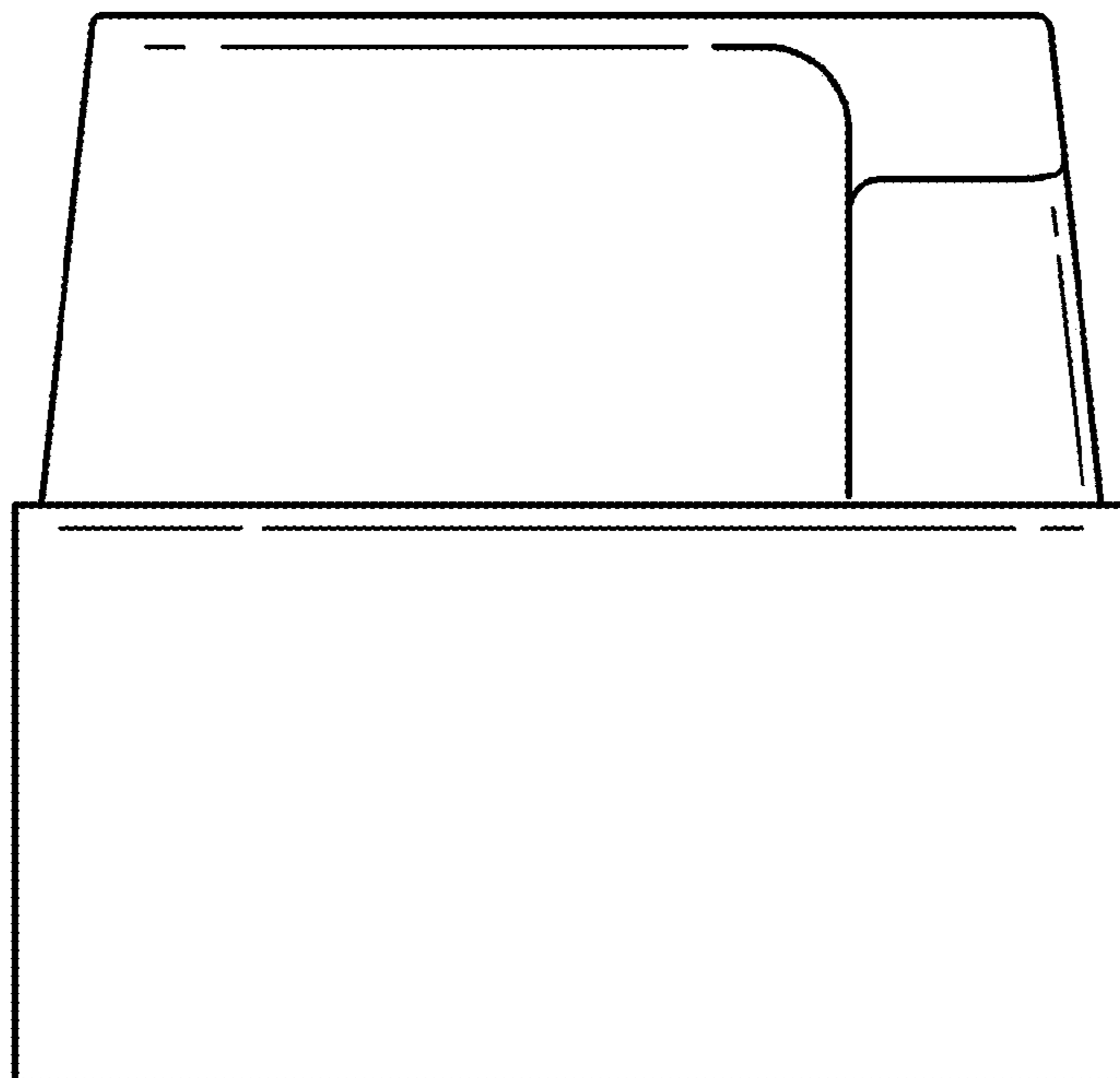


FIG. 2

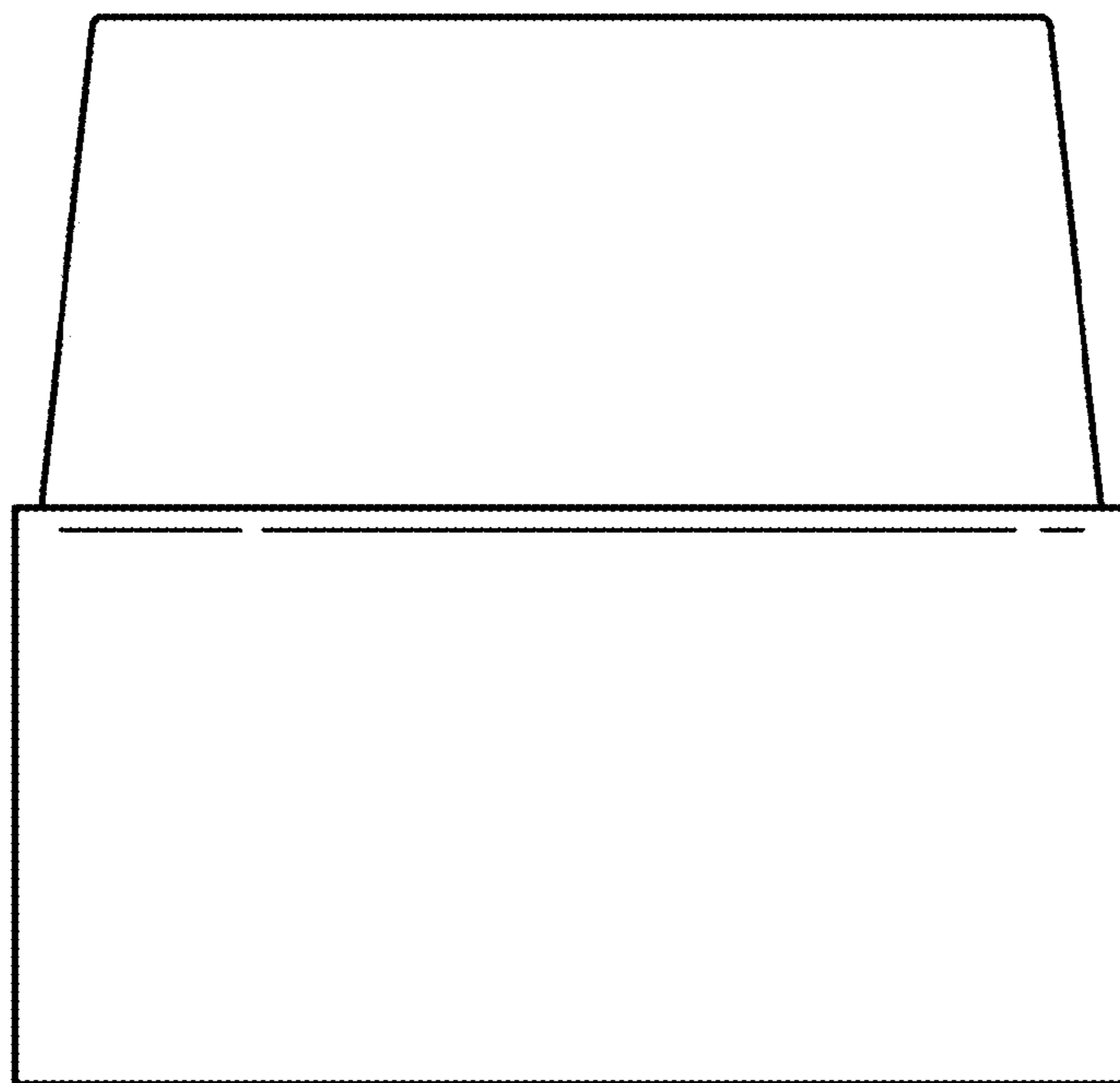


FIG. 3

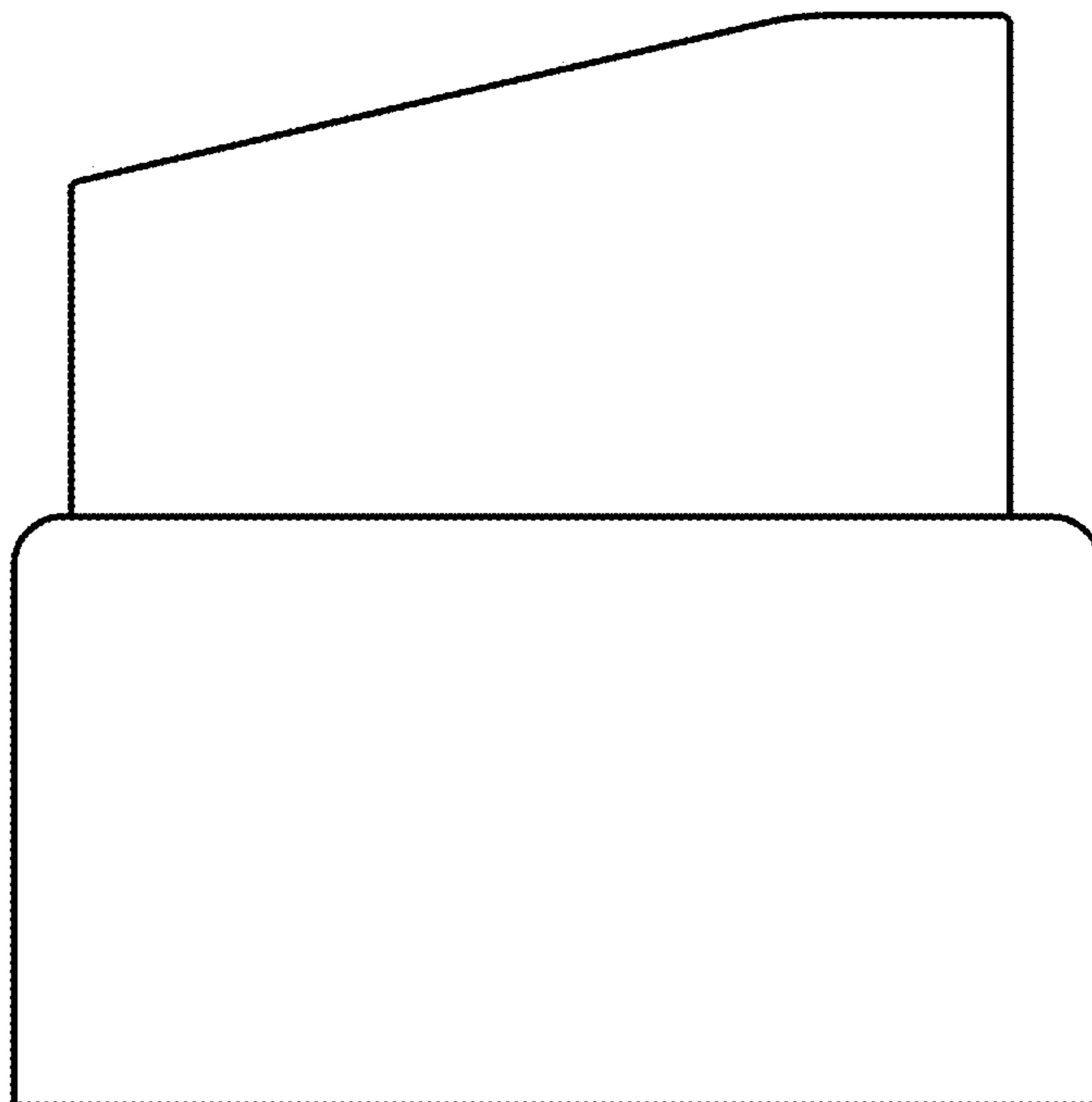


FIG. 4

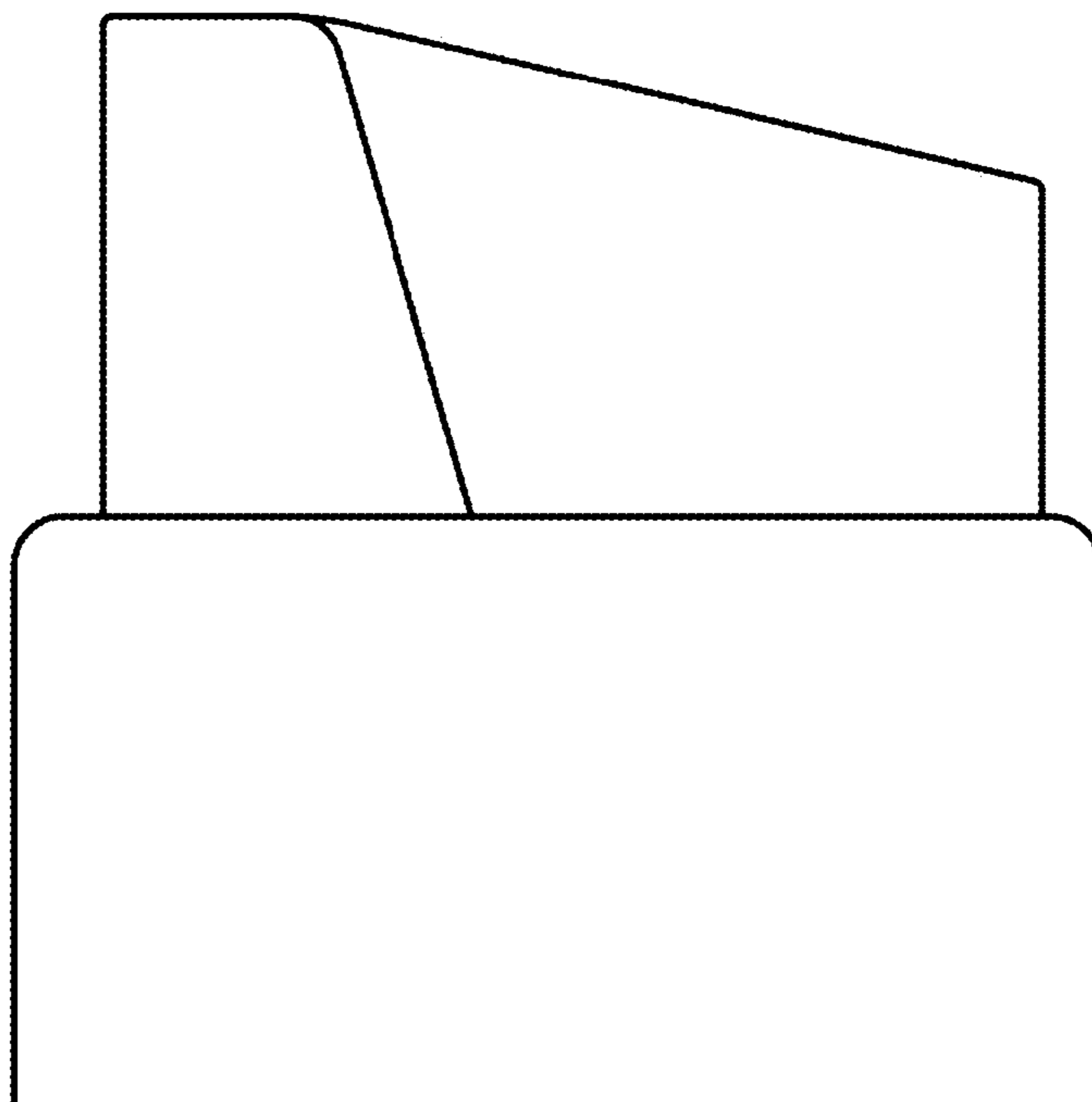


FIG. 5

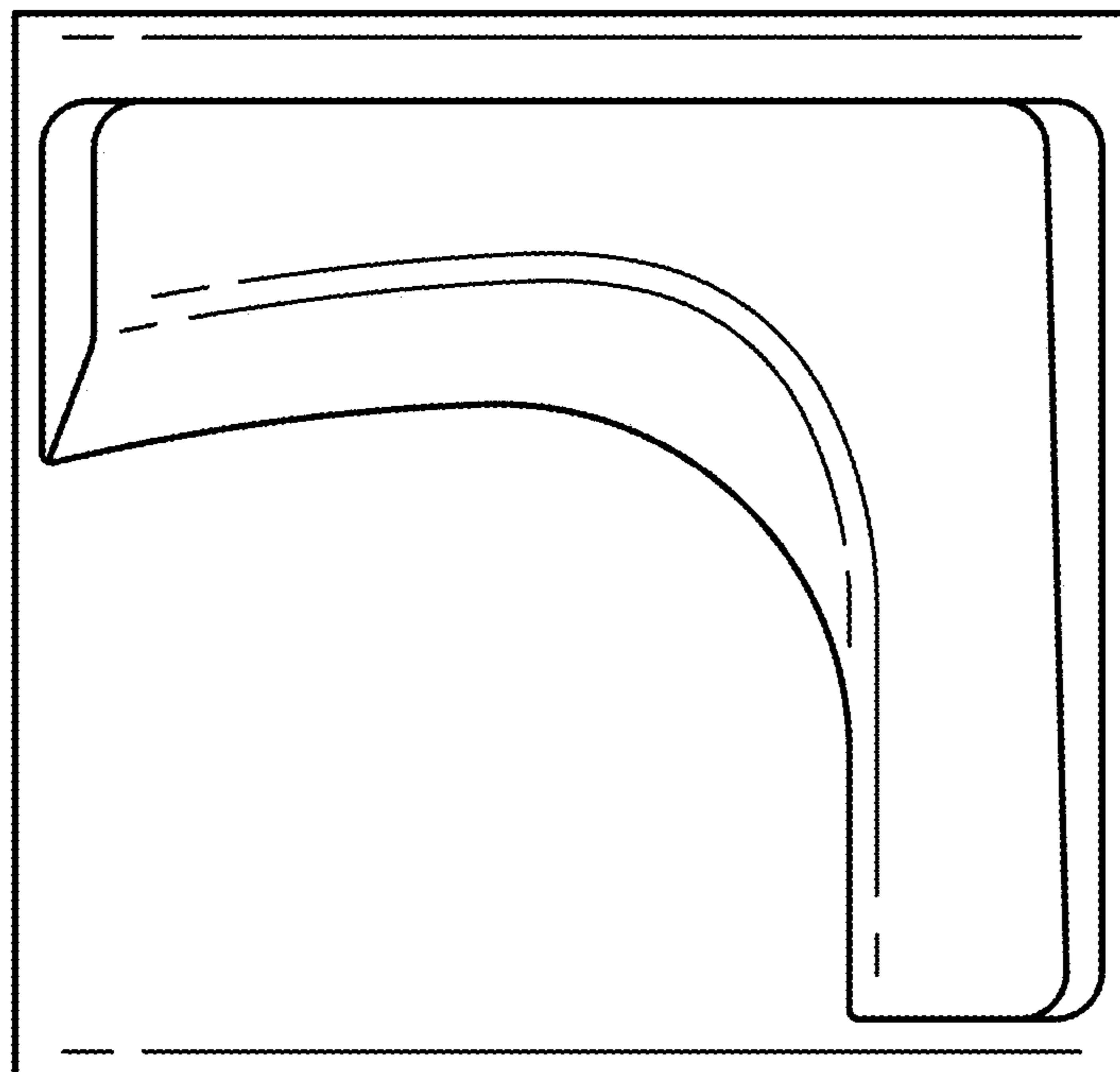


FIG. 6



FIG. 7