



US00D708448S

(12) **United States Design Patent**
Hernandez et al.

(10) **Patent No.:** **US D708,448 S**
(45) **Date of Patent:** **** Jul. 8, 2014**

(54) **STOOL**

(71) Applicant: **Alltrade Tools, LLC**, Long Beach, CA
(US)

(72) Inventors: **Hector R. Hernandez**, Fullerton, CA
(US); **Vincent W. Caito**, Pomona, CA
(US)

(73) Assignee: **Alltrade Tools LLC**, Long Beach, CA
(US)

(**) Term: **14 Years**

(21) Appl. No.: **29/467,953**

(22) Filed: **Sep. 25, 2013**

(51) **LOC (10) Cl.** **06-01**

(52) **U.S. Cl.**
USPC **D6/360**

(58) **Field of Classification Search**
USPC D6/334-336, 349, 360, 370, 371, 372,
D6/373, 374, 375, 376, 379, 380, 716,
D6/716.1, 716.2, 716.3, 716.4; 297/423.1,
297/423.18, 445.1, 446.1, 447.1, 447.2,
297/448.1, 452.2, 461

See application file for complete search history.

(56) **References Cited**

U.S. PATENT DOCUMENTS

D164,168 S *	8/1951	Hamilton	D6/360
D313,514 S *	1/1991	Zakharov	D6/360
D485,081 S *	1/2004	Bongaerts	D6/360
D575,071 S *	8/2008	Goldberg et al.	D6/360
D576,414 S *	9/2008	Chen	D6/360
D660,028 S *	5/2012	Rode	D6/360

* cited by examiner

Primary Examiner — Mimoso De

(74) *Attorney, Agent, or Firm* — David J. Pitman; Fulwider
Patton LLP

(57) **CLAIM**

The ornamental design for a stool, as shown and described.

DESCRIPTION

FIG. 1 is a first perspective view of a stool, slightly from
above, showing our new design;

FIG. 2 is a front elevational view thereof;

FIG. 3 is a rear elevational view thereof;

FIG. 4 is a left side elevational view thereof;

FIG. 5 is a right side elevational view thereof;

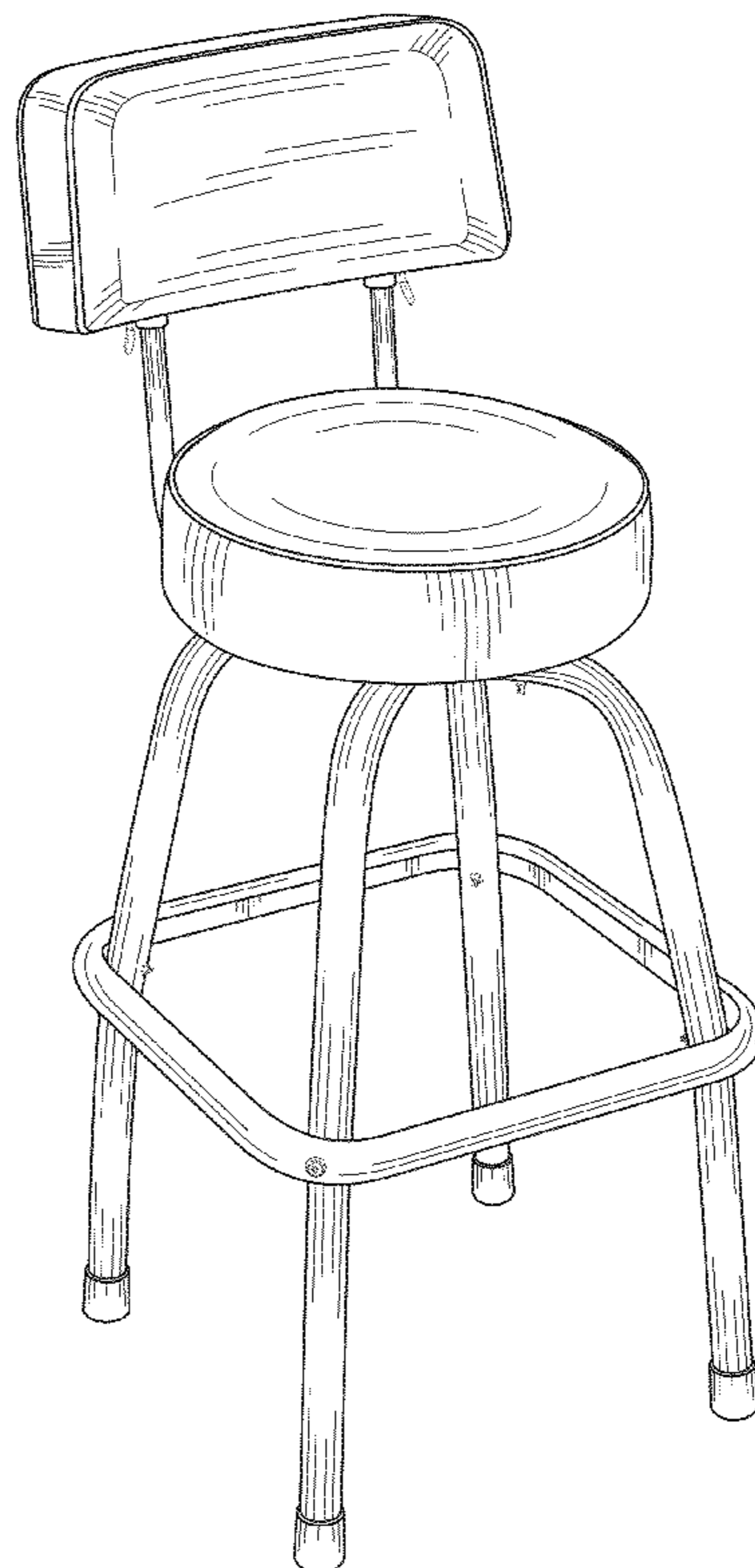
FIG. 6 is a top plan view thereof;

FIG. 7 is a bottom plan view thereof; and,

FIG. 8 is a second perspective view thereof, slightly from
below.

The broken lines shown in the drawing are for illustrative
purposes only and form no part of the claimed design.

1 Claim, 8 Drawing Sheets



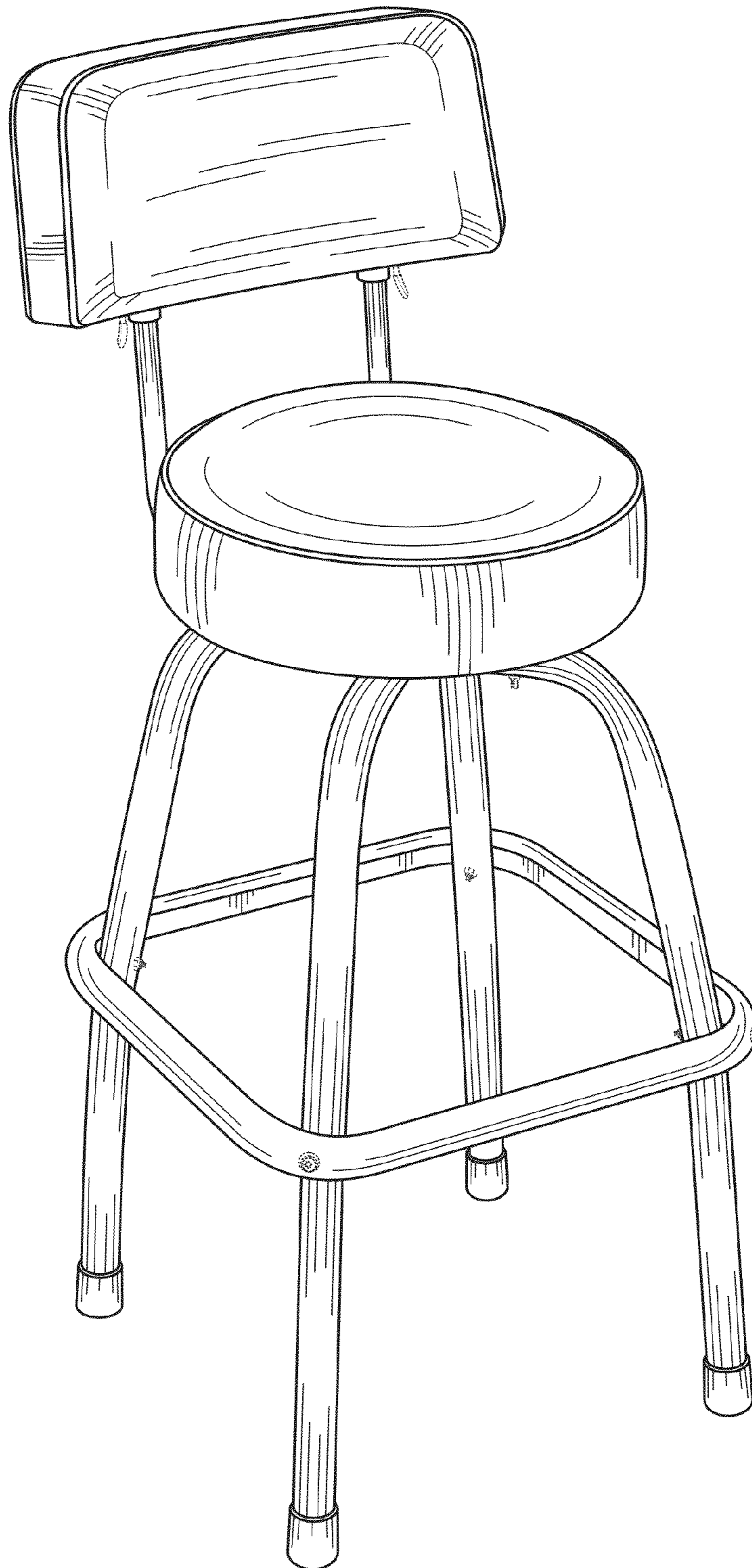


FIG. 1

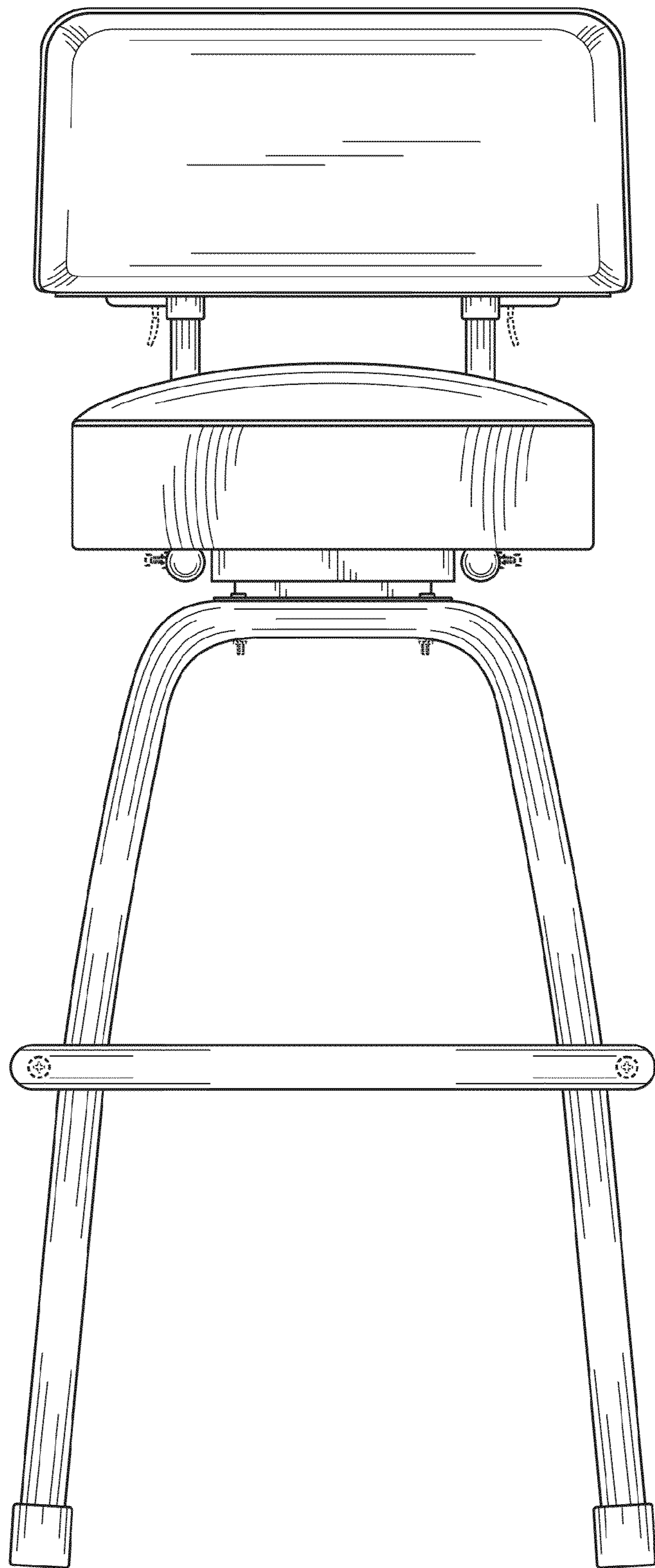


FIG. 2

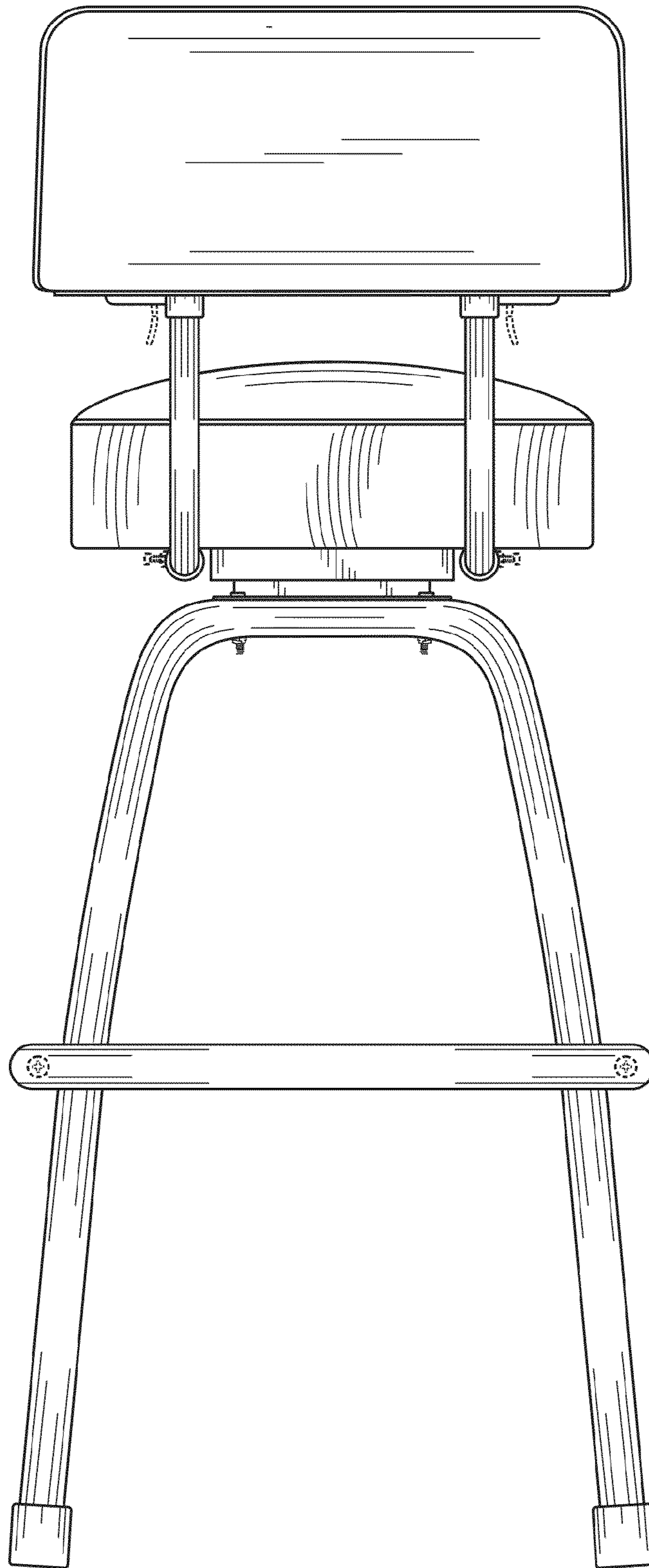


FIG. 3

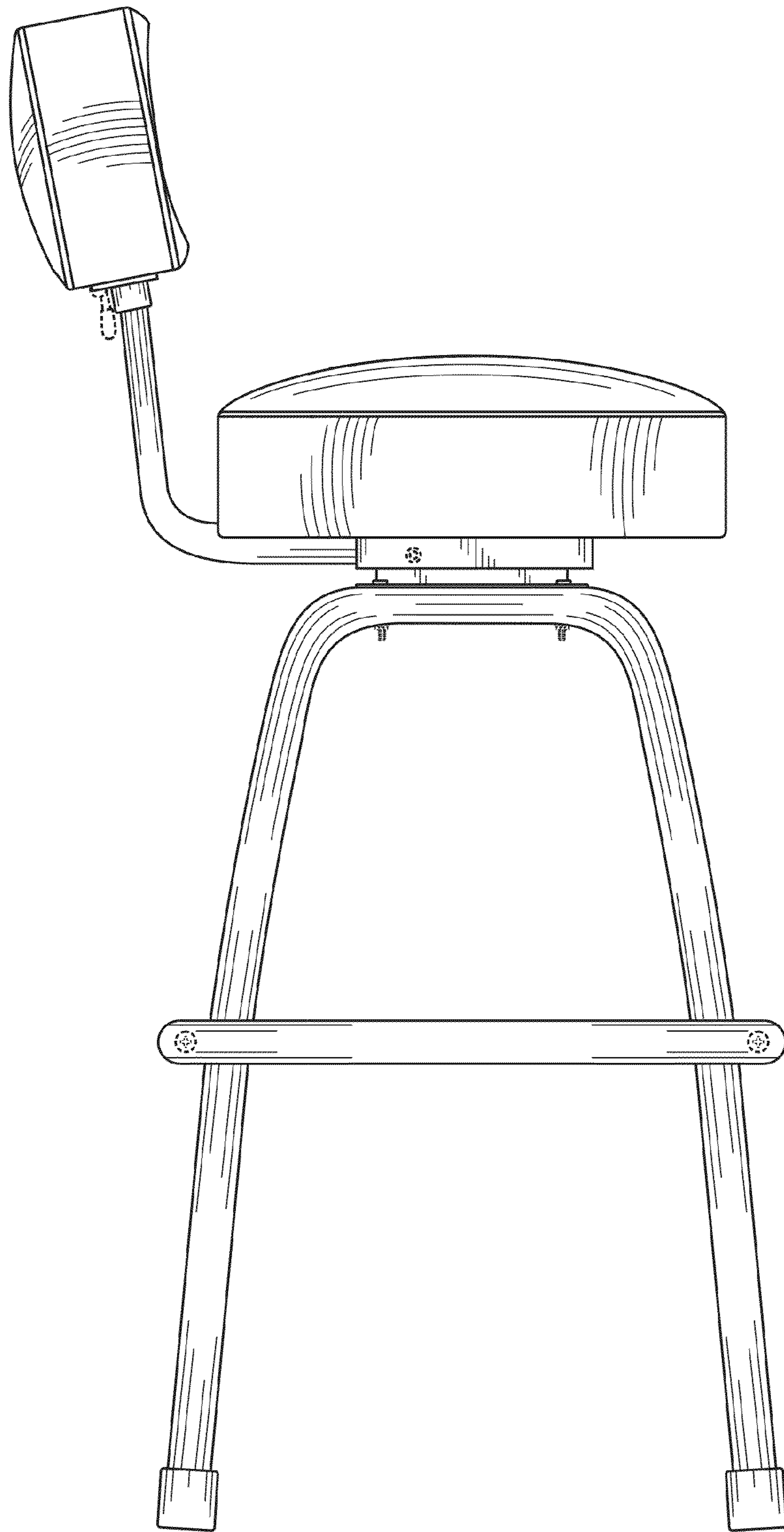


FIG. 4

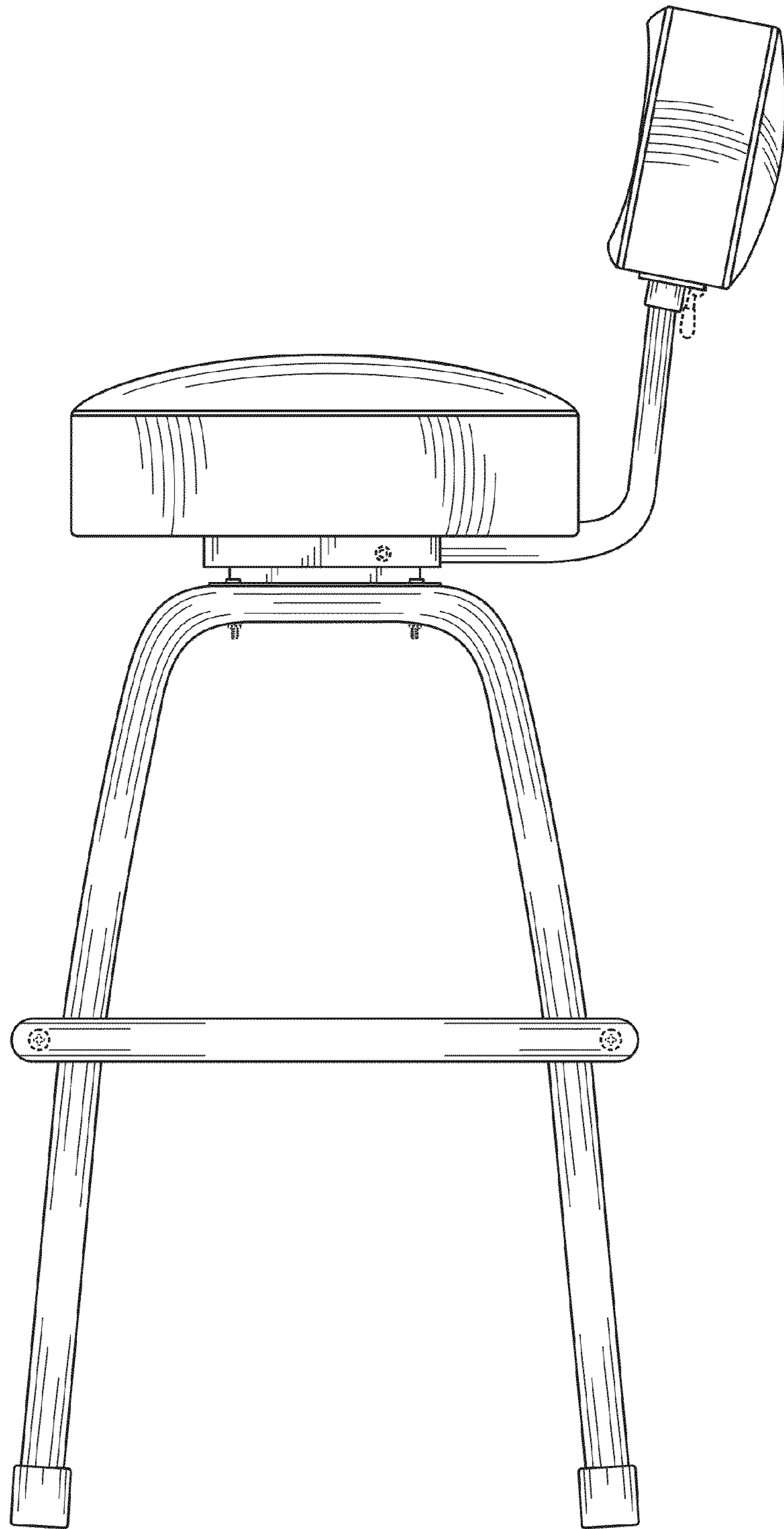


FIG. 5

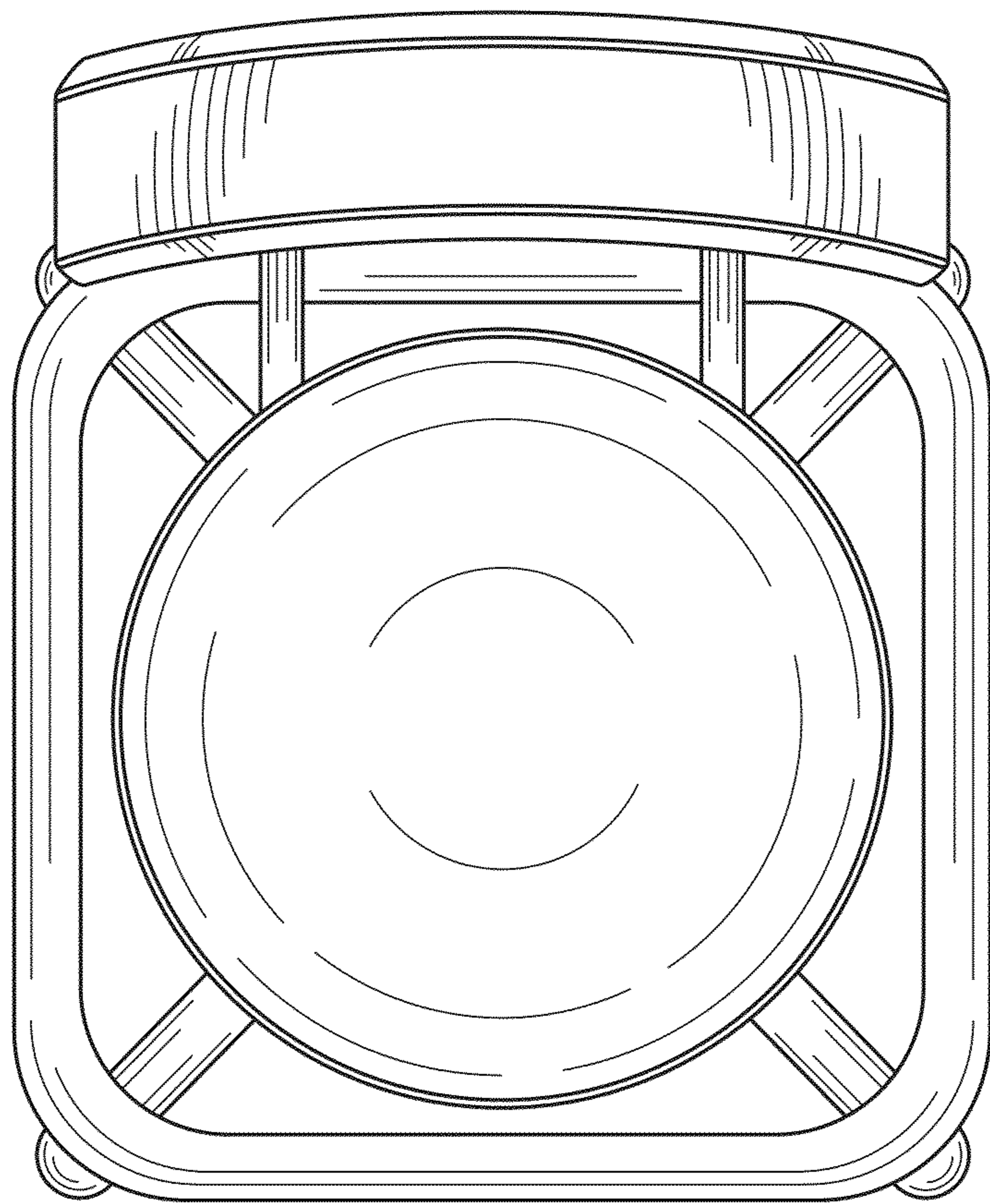


FIG. 6

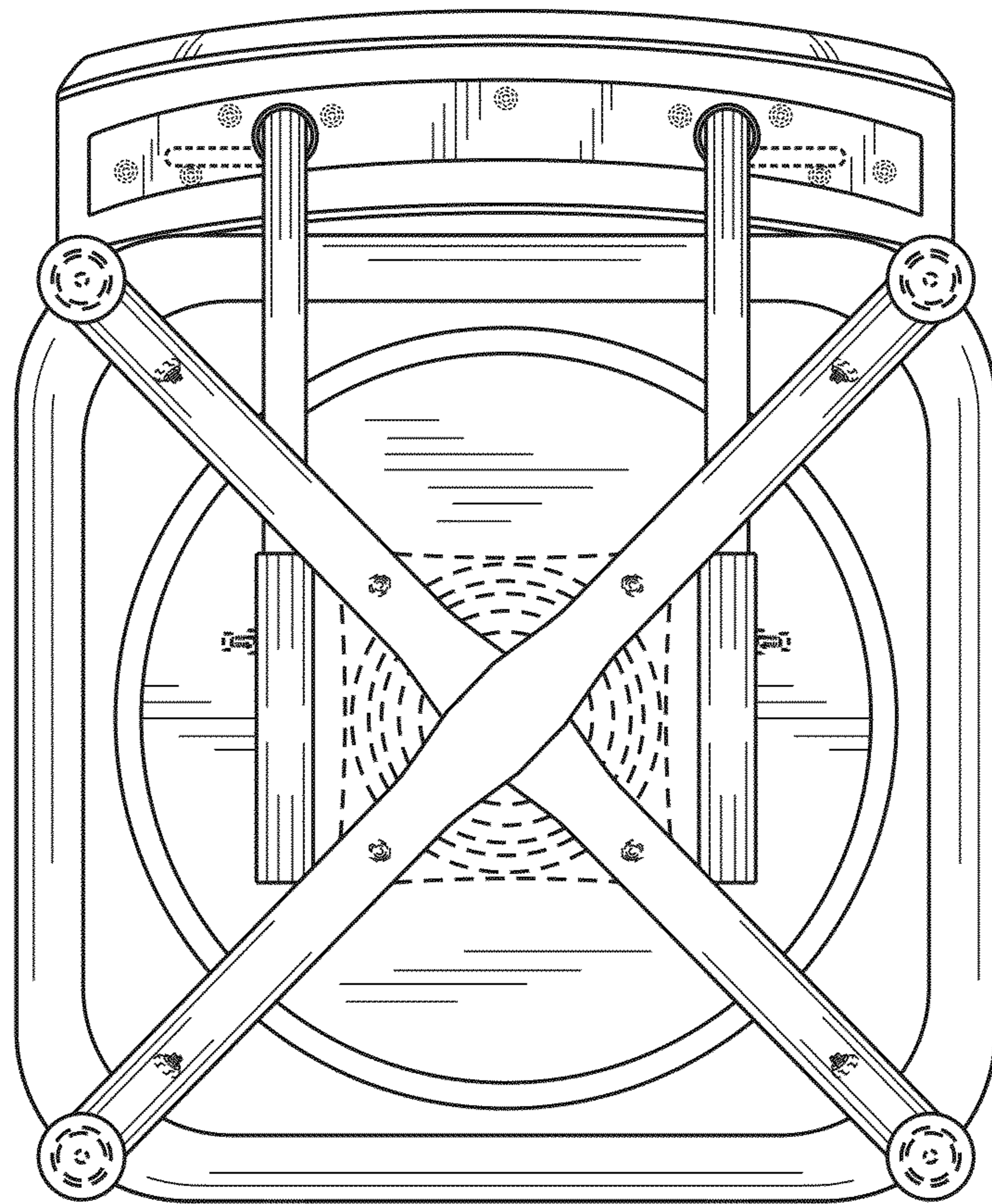


FIG. 7

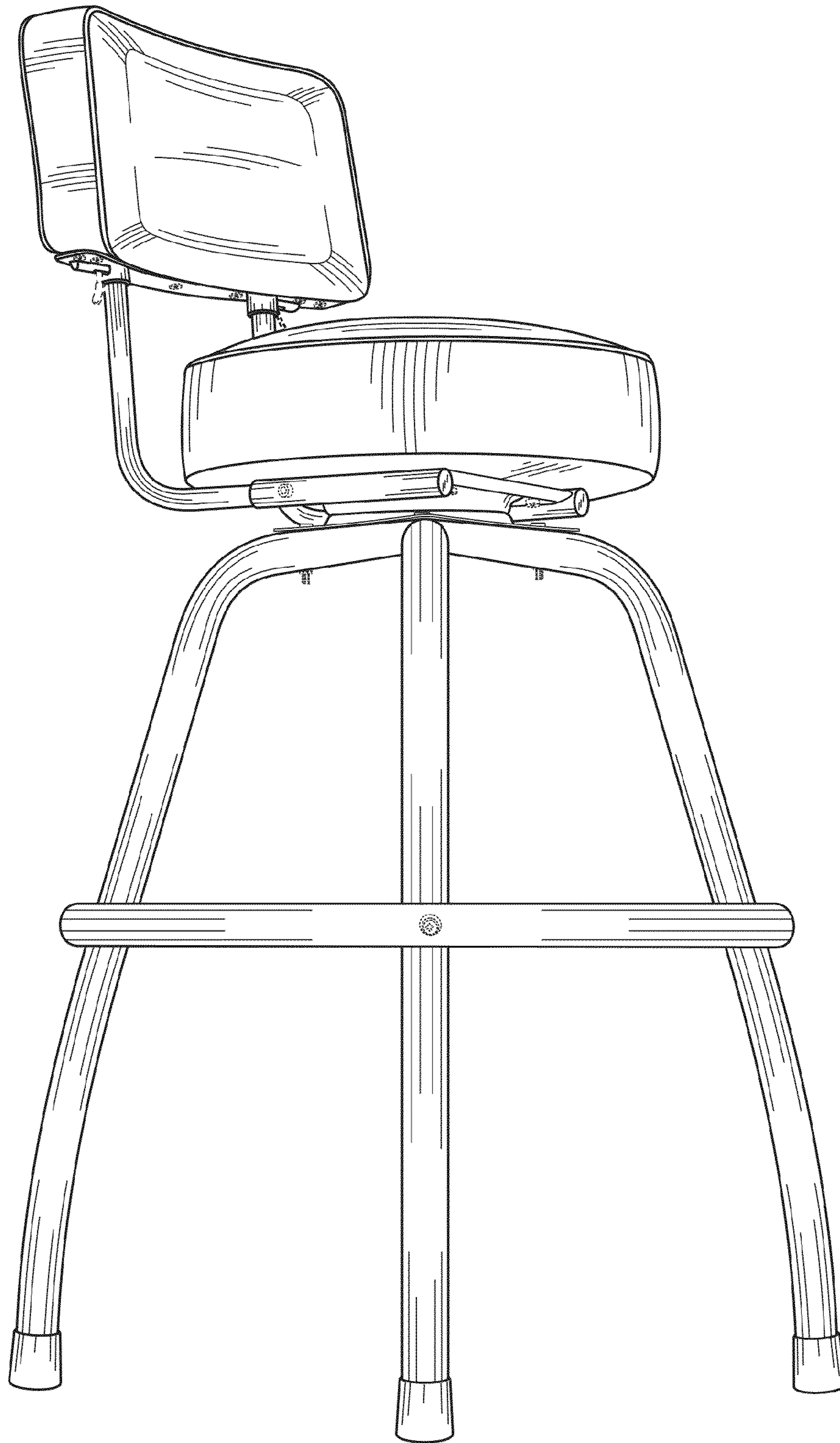


FIG. 8