



US00D708438S

(12) **United States Design Patent**
Szewczyk

(10) **Patent No.:** **US D708,438 S**

(45) **Date of Patent:** **** Jul. 8, 2014**

(54) **RIFLE SCABBARD**

(71) Applicant: **Harry Fox & Associates, Inc.**, Melrose Park, IL (US)

(72) Inventor: **Thaddeus Szewczyk**, Chicago, IL (US)

(73) Assignee: **Harry Fox & Associates, Inc.**, Melrose Park, IL (US)

(**) Term: **14 Years**

(21) Appl. No.: **29/452,945**

(22) Filed: **Apr. 23, 2013**

(51) **LOC (10) Cl.** **03-01**

(52) **U.S. Cl.**
USPC **D3/262**

(58) **Field of Classification Search**
CPC B65D 85/00; B65D 85/28; B65D 81/02;
B65D 85/24
USPC D3/262; 206/317, 315.1, 315.11, 314,
206/522
See application file for complete search history.

(56) **References Cited**

U.S. PATENT DOCUMENTS

D448,558 S * 10/2001 Kolpin D3/262
D448,561 S * 10/2001 Kolpin D3/262
D448,562 S * 10/2001 Kolpin D3/262

6,634,530 B1 * 10/2003 Black 224/401
D520,235 S * 5/2006 Blaschke D3/262
D528,790 S * 9/2006 Sides et al. D3/262
D532,971 S * 12/2006 Sides et al. D3/262
D636,180 S * 4/2011 Sayre D3/262

* cited by examiner

Primary Examiner — Holly Baynham

(74) *Attorney, Agent, or Firm* — Drinker Biddle & Reath LLP

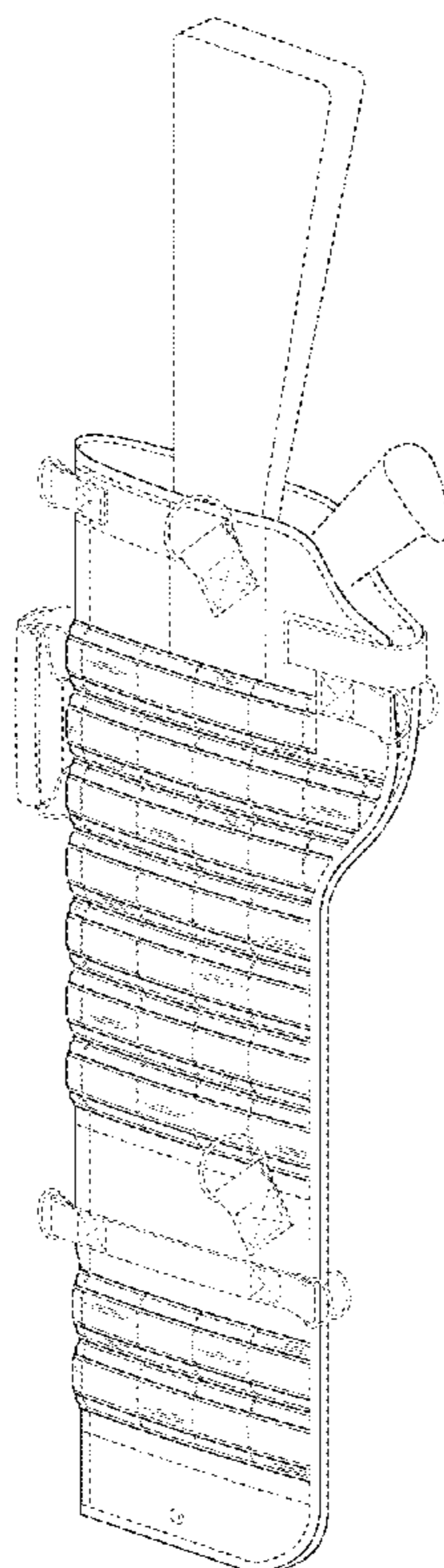
(57) **CLAIM**

The ornamental design for a rifle scabbard, as shown and described.

DESCRIPTION

FIG. 1 is a front perspective view of a rifle scabbard;
FIG. 2 is a front elevation view of the rifle scabbard of FIG. 1;
FIG. 3 is a rear elevation view of the rifle scabbard of FIG. 1;
FIG. 4 is a right side elevation view of the rifle scabbard of FIG. 1;
FIG. 5 is a left side elevation view of the rifle scabbard of FIG. 1;
FIG. 6 is a top plan view of the rifle scabbard of FIG. 1; and,
FIG. 7 is a bottom plan view of the rifle scabbard.
The broken lines showing stitching, a portion of the gun, hooks and straps are for the purposes of illustrating environment and form no part of the claimed design.

1 Claim, 3 Drawing Sheets



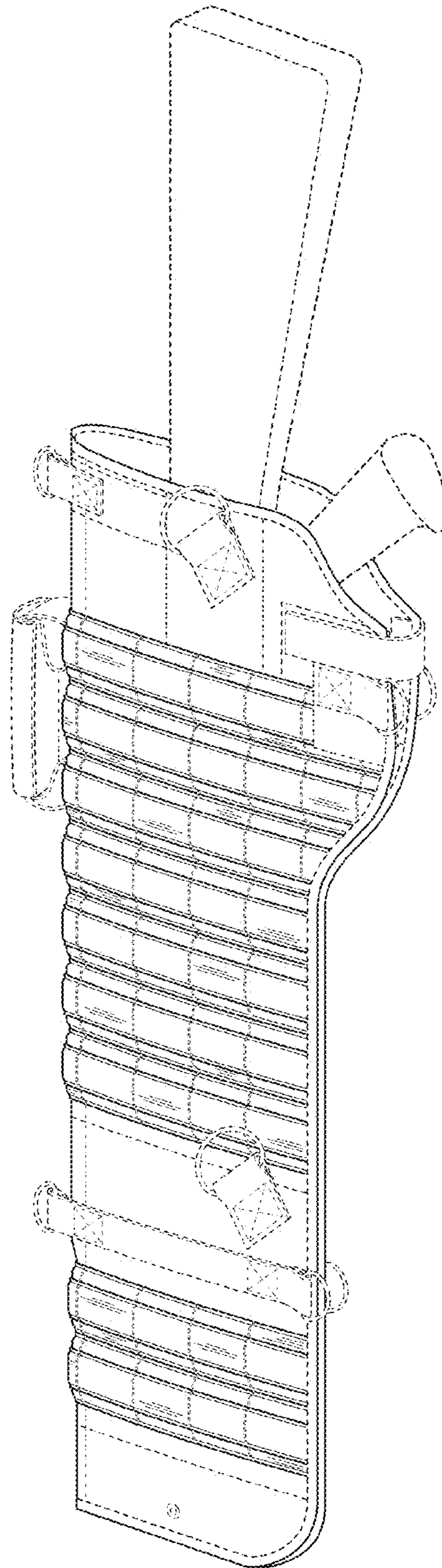


FIG. 1

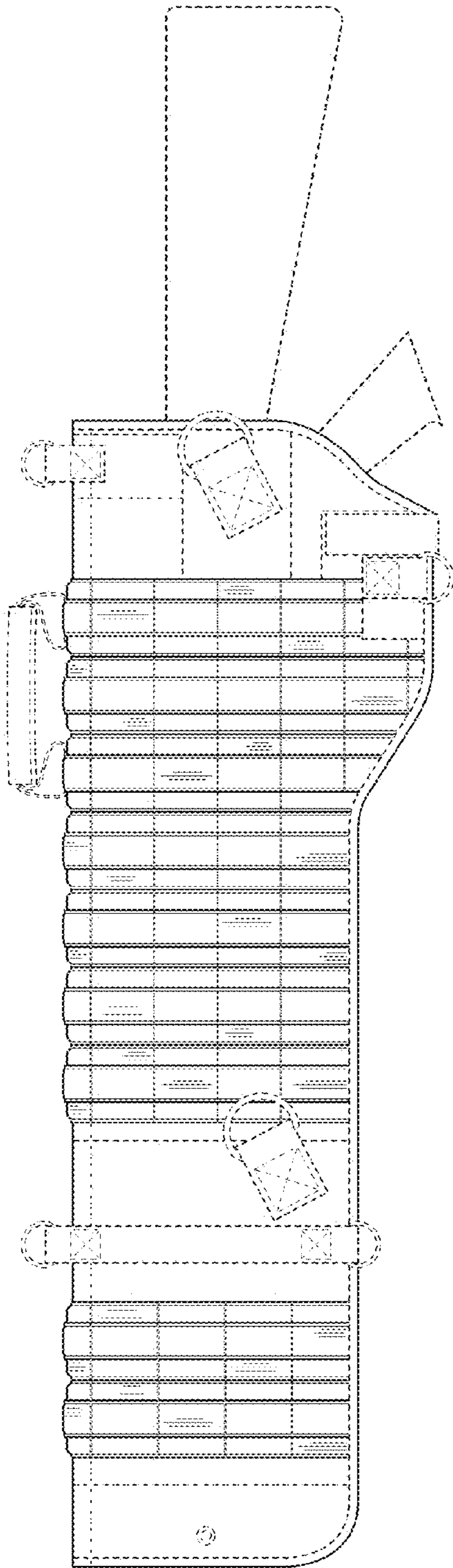


FIG. 2

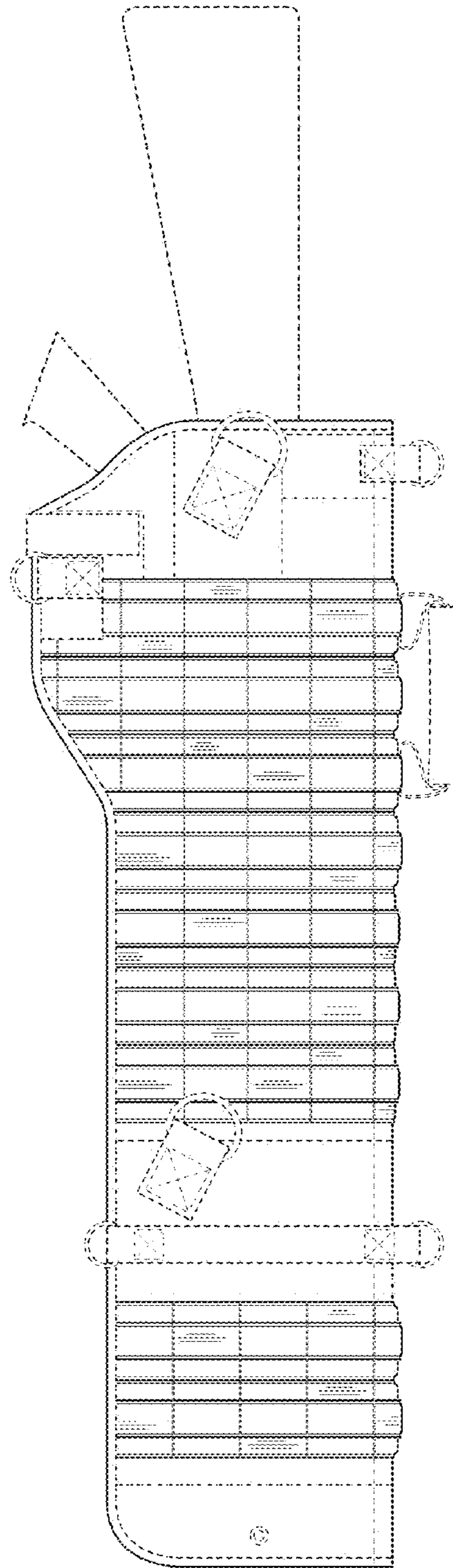


FIG. 3

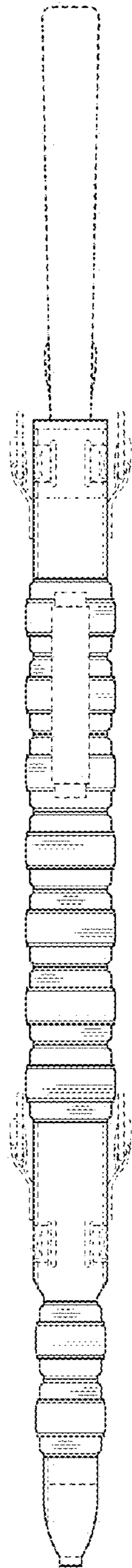


FIG. 4

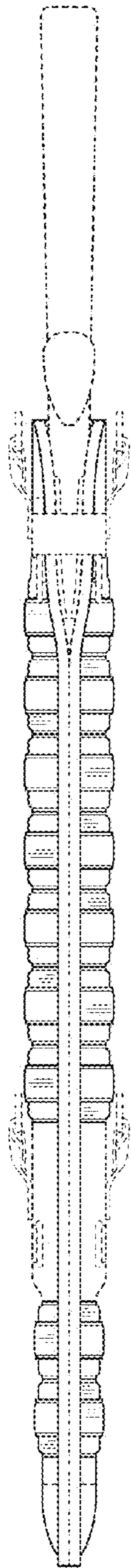


FIG. 5

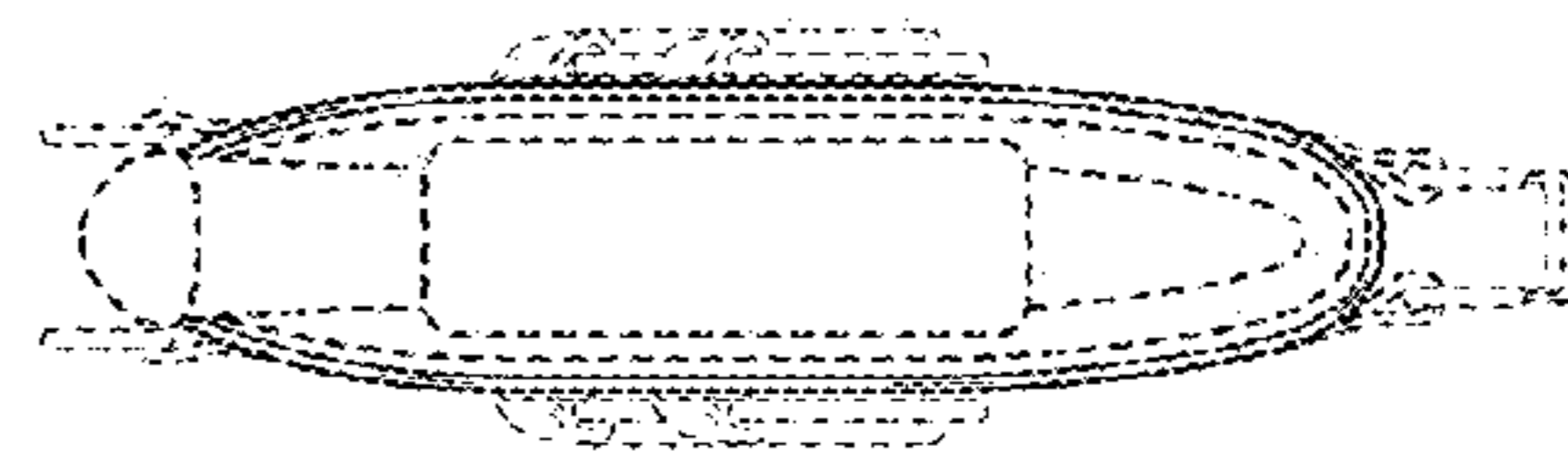


FIG. 6

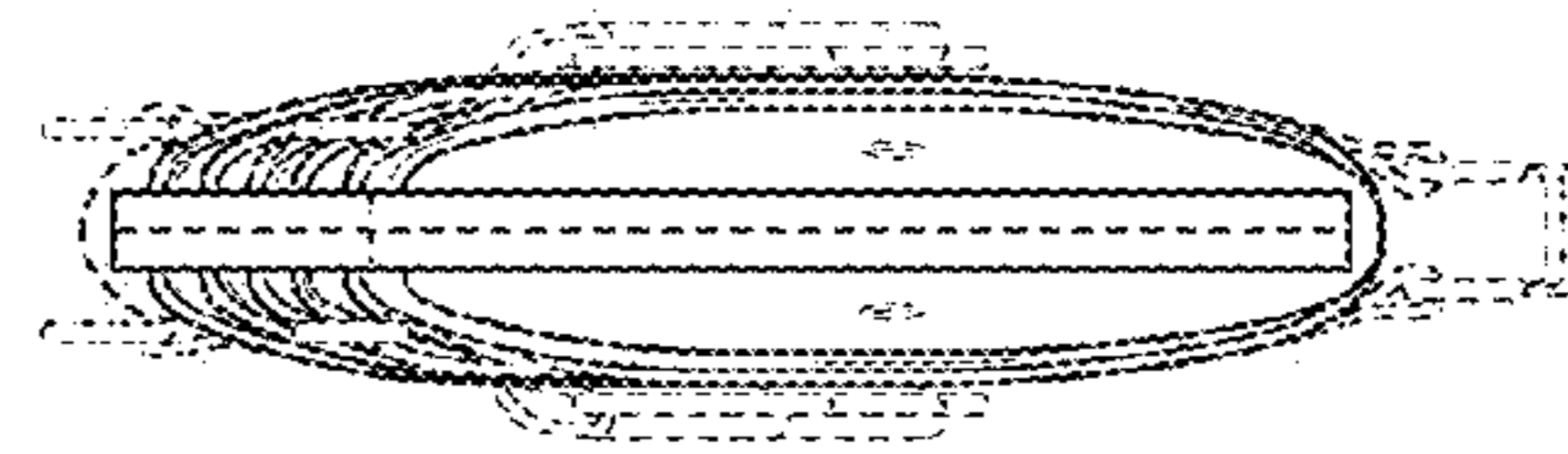


FIG. 7