



US00D708437S

(12) **United States Design Patent**
Doerksen

(10) **Patent No.:** **US D708,437 S**
(45) **Date of Patent:** **** Jul. 8, 2014**

(54) **MULTI-PURPOSE POUCH**

FOREIGN PATENT DOCUMENTS

(71) Applicant: **Alvin Doerksen**, Cranbrook (CA)

BZ 76119 4/1995

(72) Inventor: **Alvin Doerksen**, Cranbrook (CA)

CA 67537 11/1990

(**) Term: **14 Years**

CA 68117 2/1991

(21) Appl. No.: **29/467,945**

CA 71710 10/1992

(22) Filed: **Sep. 25, 2013**

CA 74431 7/1994

(51) **LOC (10) Cl.** **03-01**

CA 94952 3/2002

(52) **U.S. Cl.**

CA 96294 5/2002

USPC **D3/228**

(58) **Field of Classification Search**

* cited by examiner

USPC D3/228, 224, 226, 230, 215; 224/223,
224/240, 665, 673, 675-677, 680-681, 684,
224/902, 904; 206/372-379

Primary Examiner — Catheri Oliver-Garcia

See application file for complete search history.

(57) **CLAIM**

I claim the ornamental design for a multi-purpose pouch, as shown and described.

(56) **References Cited**

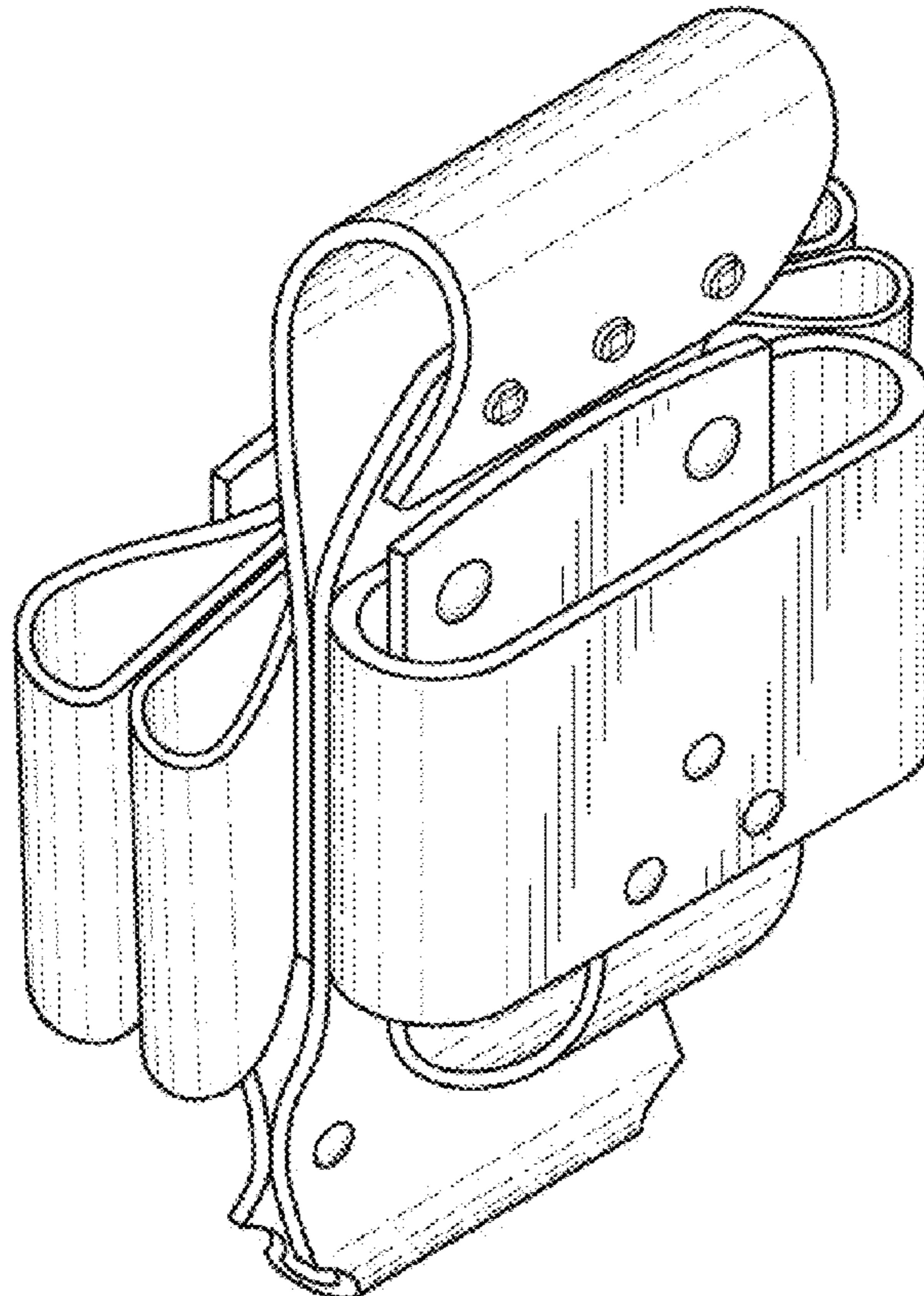
DESCRIPTION

U.S. PATENT DOCUMENTS

D338,748 S *	8/1993	Doerksen	D3/228
D349,603 S *	8/1994	Doerksen	D3/228
D487,630 S *	3/2004	Martin et al.	D3/228
D676,234 S *	2/2013	Moreau et al.	D3/228
D692,231 S *	10/2013	Moreau et al.	D3/228

FIG. 1 is a front elevation view of the multi-purpose pouch
FIG. 2 is a rear elevation view of the multi-purpose pouch
FIG. 3 is a side elevation view of the multi-purpose pouch
FIG. 4 is a top plan view of the multi-purpose pouch
FIG. 5 is a bottom plan view of the multi-purpose pouch; and,
FIG. 6 is a front perspective view of the multi-purpose pouch.

1 Claim, 6 Drawing Sheets



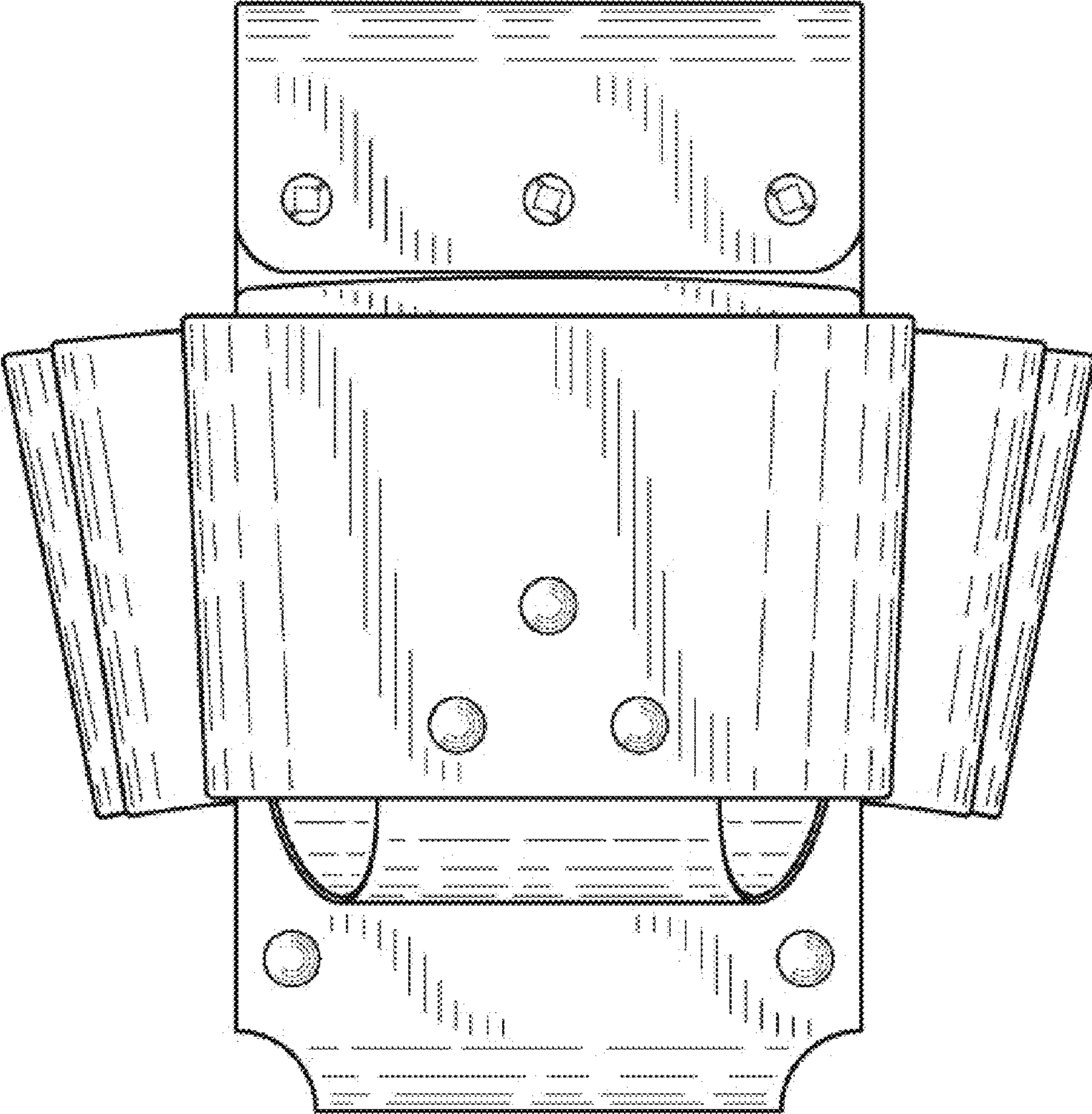


FIG. 1

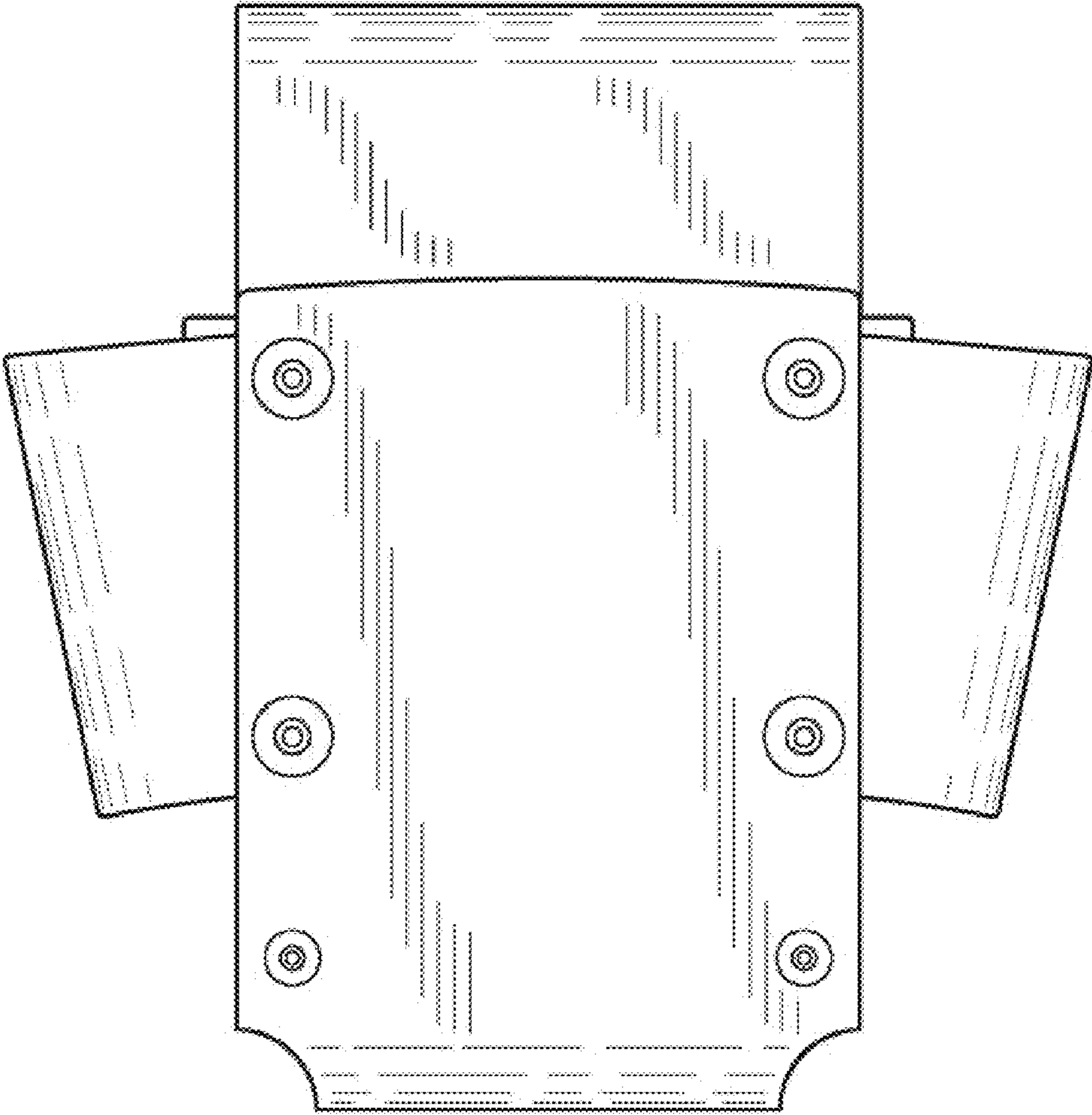


FIG. 2

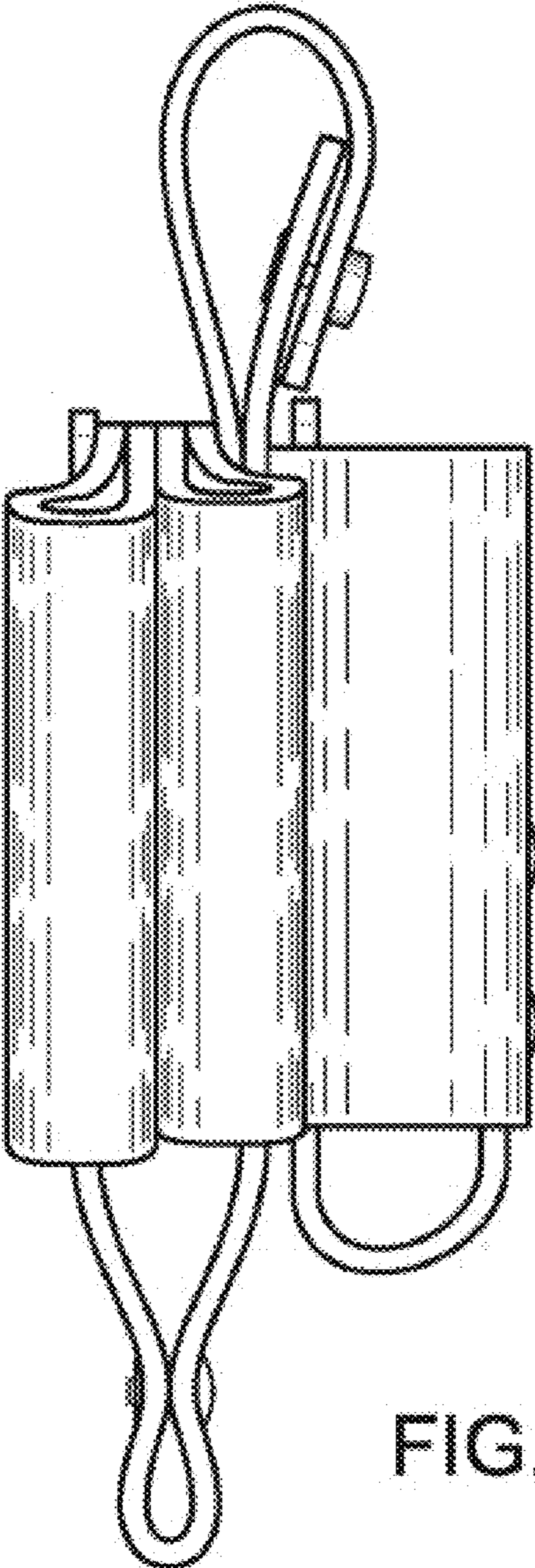


FIG. 3

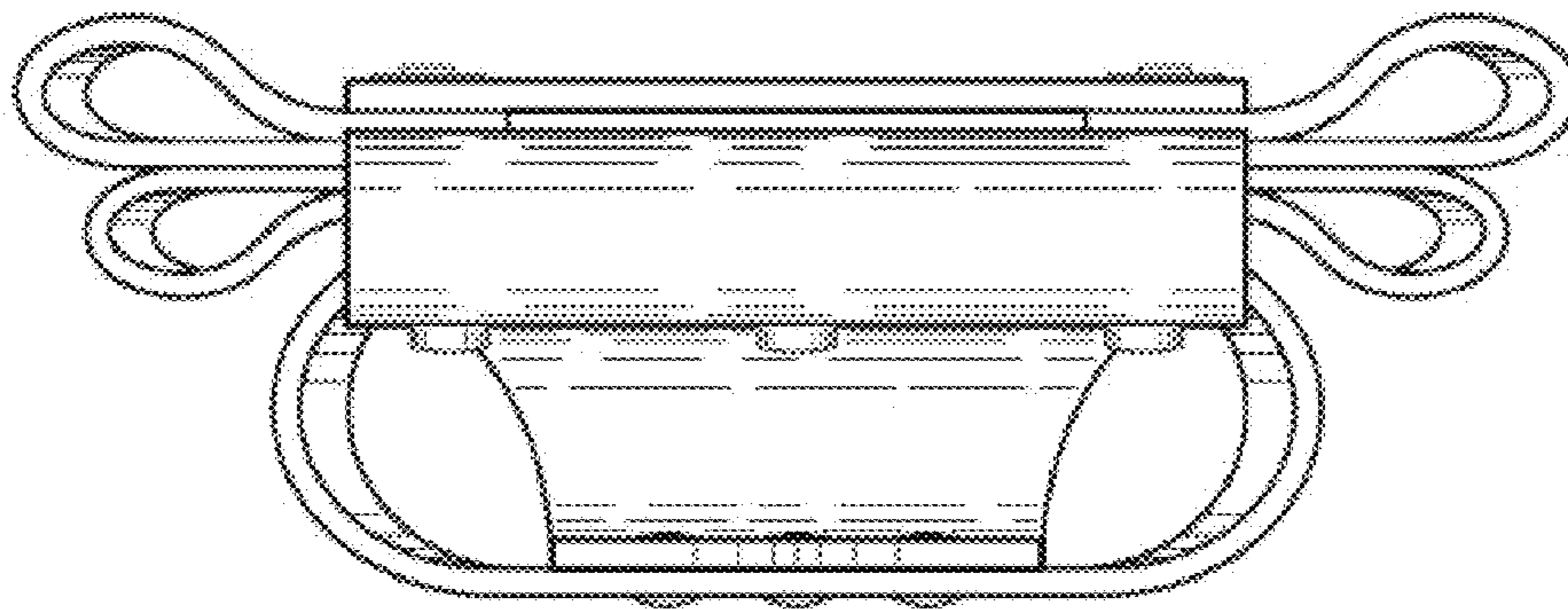


FIG. 4

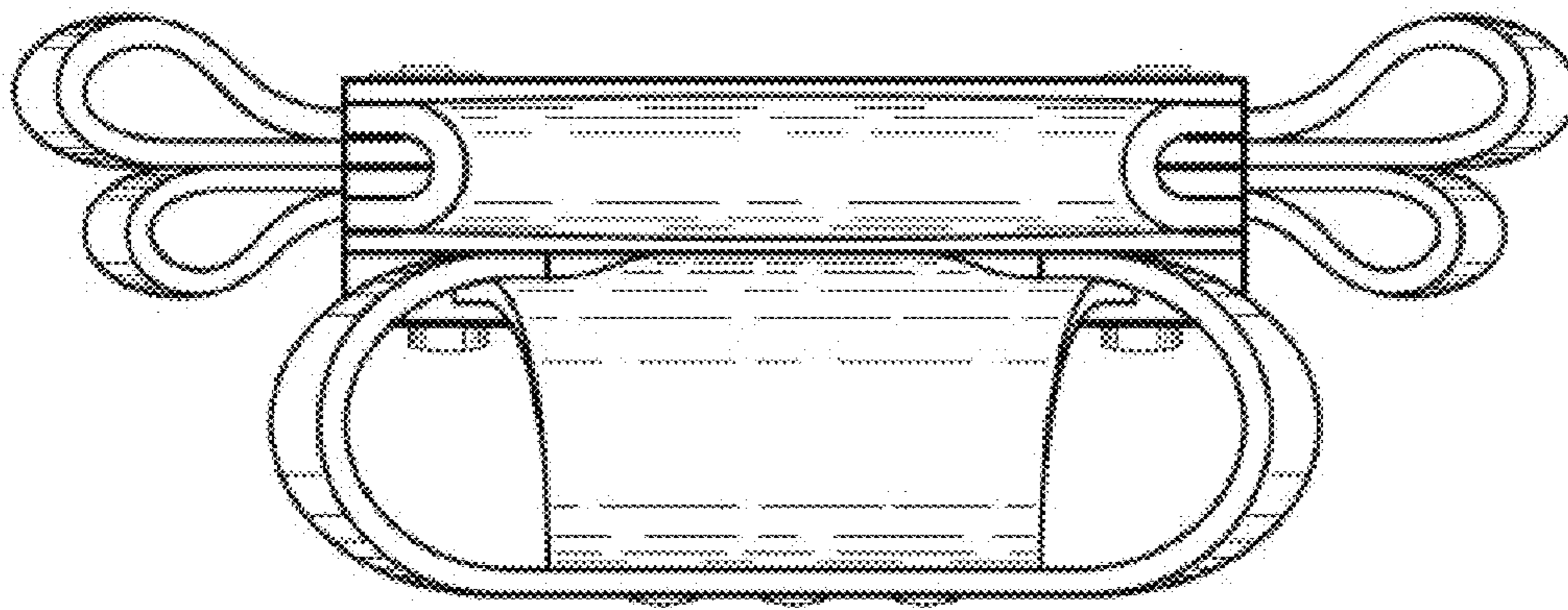


FIG. 5

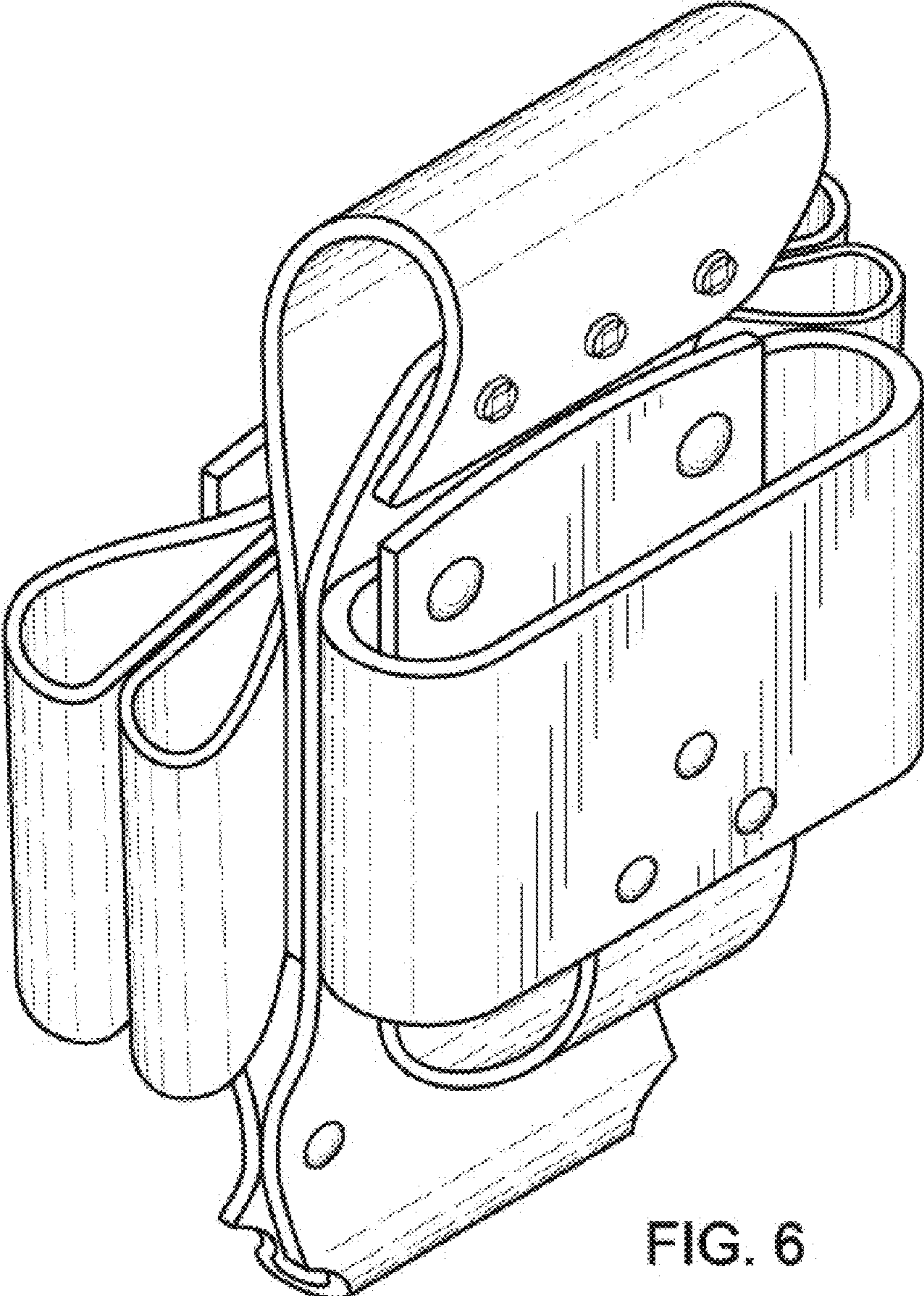


FIG. 6