



US00D708434S

(12) **United States Design Patent**
Deeb

(10) **Patent No.:** **US D708,434 S**

(45) **Date of Patent:** **** Jul. 8, 2014**

(54) **PILL CONTAINER**

(74) *Attorney, Agent, or Firm* — Paul R. Martin

(71) Applicant: **Lisa K. Deeb**, Columbus, OH (US)

(72) Inventor: **Lisa K. Deeb**, Columbus, OH (US)

(**) Term: **14 Years**

(21) Appl. No.: **29/442,720**

(22) Filed: **Apr. 26, 2013**

(51) **LOC (10) Cl.** **03-01**

(52) **U.S. Cl.**
USPC **D3/203.3**

(58) **Field of Classification Search**
USPC D3/203.1, 203.3, 205; D9/504; D28/73,
D28/76, 79, 82; 206/528, 531–532, 538,
206/232, 581, 821, 534
See application file for complete search history.

(56) **References Cited**

U.S. PATENT DOCUMENTS

D158,174 S *	4/1950	Busiel	D28/76
3,744,672 A	7/1973	Dangles	
4,261,468 A	4/1981	Krebs	
5,641,091 A	6/1997	Daneshvar	
D424,749 S *	5/2000	Zalzal	D28/76
D493,721 S *	8/2004	Puigbo	D9/504
D503,830 S *	4/2005	Tanii et al.	D28/76
D533,310 S *	12/2006	Kuo	D28/76
D555,835 S *	11/2007	Song	D28/76
8,579,116 B2 *	11/2013	Pether et al.	206/528

* cited by examiner

Primary Examiner — Catheri Oliver-Garcia

(57) **CLAIM**

The ornamental design for a pill container, as shown and described.

DESCRIPTION

FIG. 1 is a perspective view from above of the pill container of my new design with the lid, individual segments, and the base separated for purposes of illustration.

FIG. 2 is a perspective view from below thereof, with the base, individual segments, and the lid being separated for purposes of illustration.

FIG. 3 is an elevational view from the front thereof. The elevational view of the rear is a mirror image thereof.

FIG. 4 is an elevational view of the left side thereof, as shown in FIG. 1.

FIG. 5 is an elevational view of the right side thereof, as shown in FIG. 1.

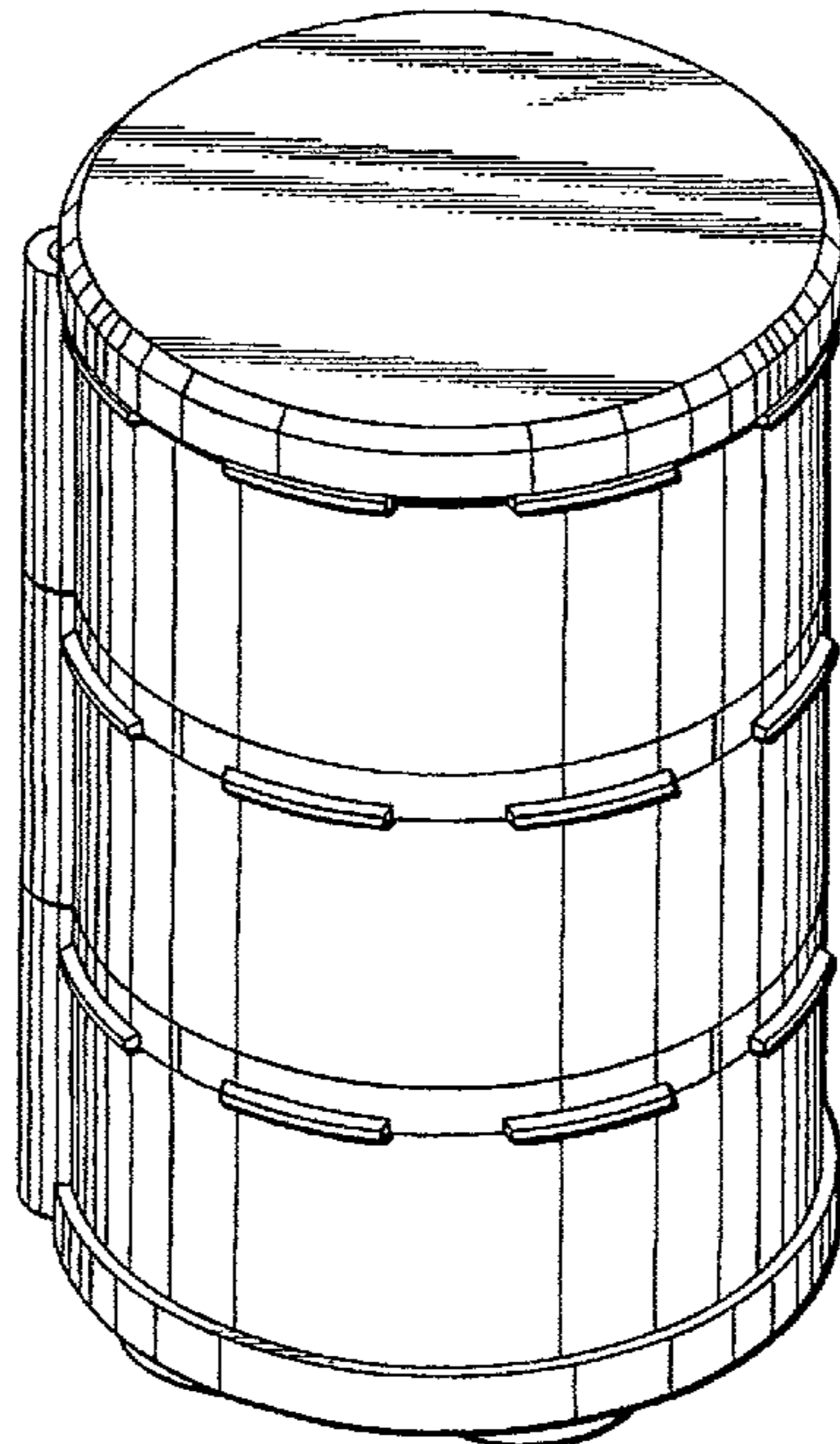
FIG. 6 is a top plan view thereof, showing the separated lid, three individual segments, and the base, respectively.

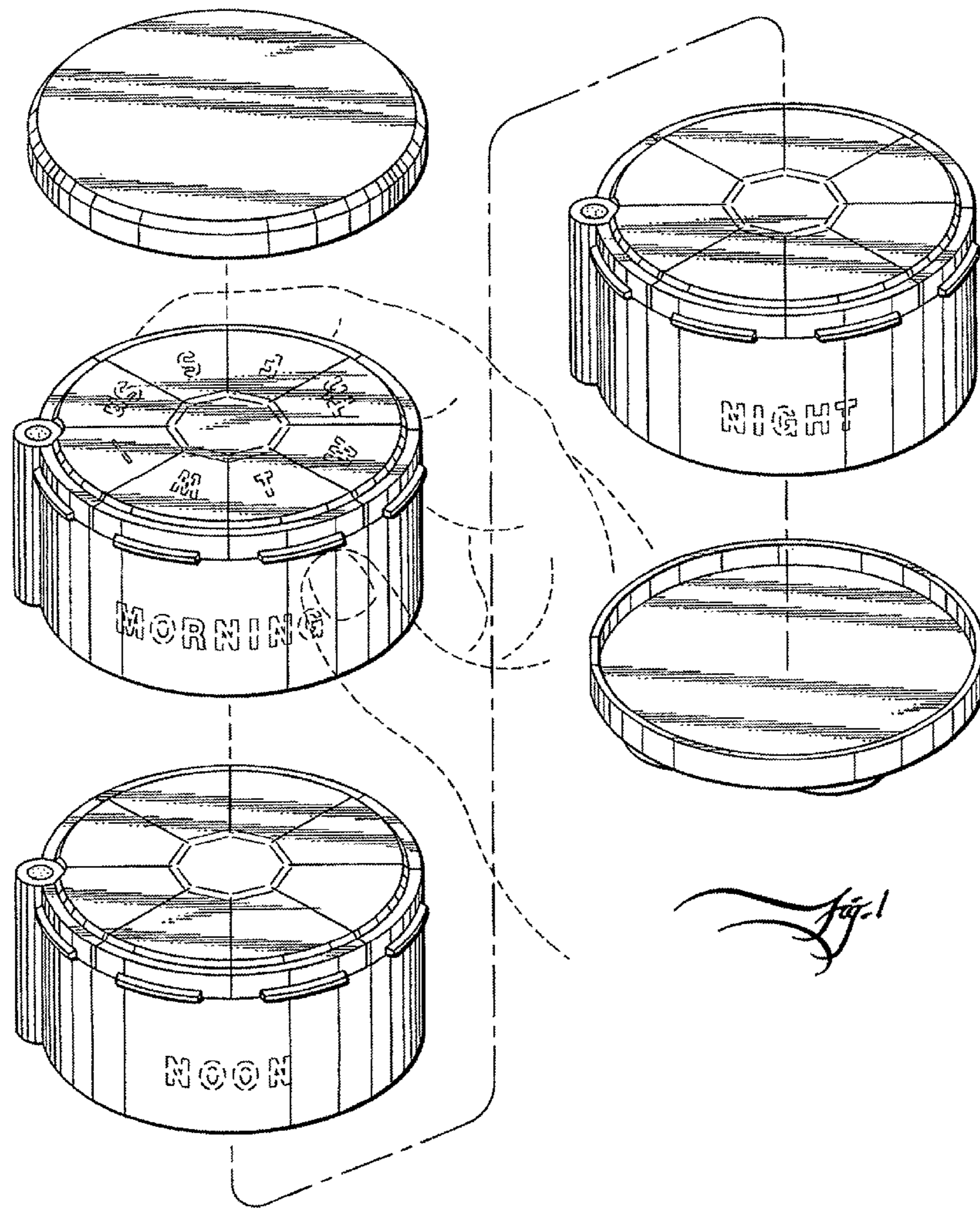
FIG. 7 is a bottom plan view thereof, showing the separated base, three individual segments, and the lid, respectively; and, FIG. 8 is a perspective view of the pill container of my new design with all segments being vertically aligned.

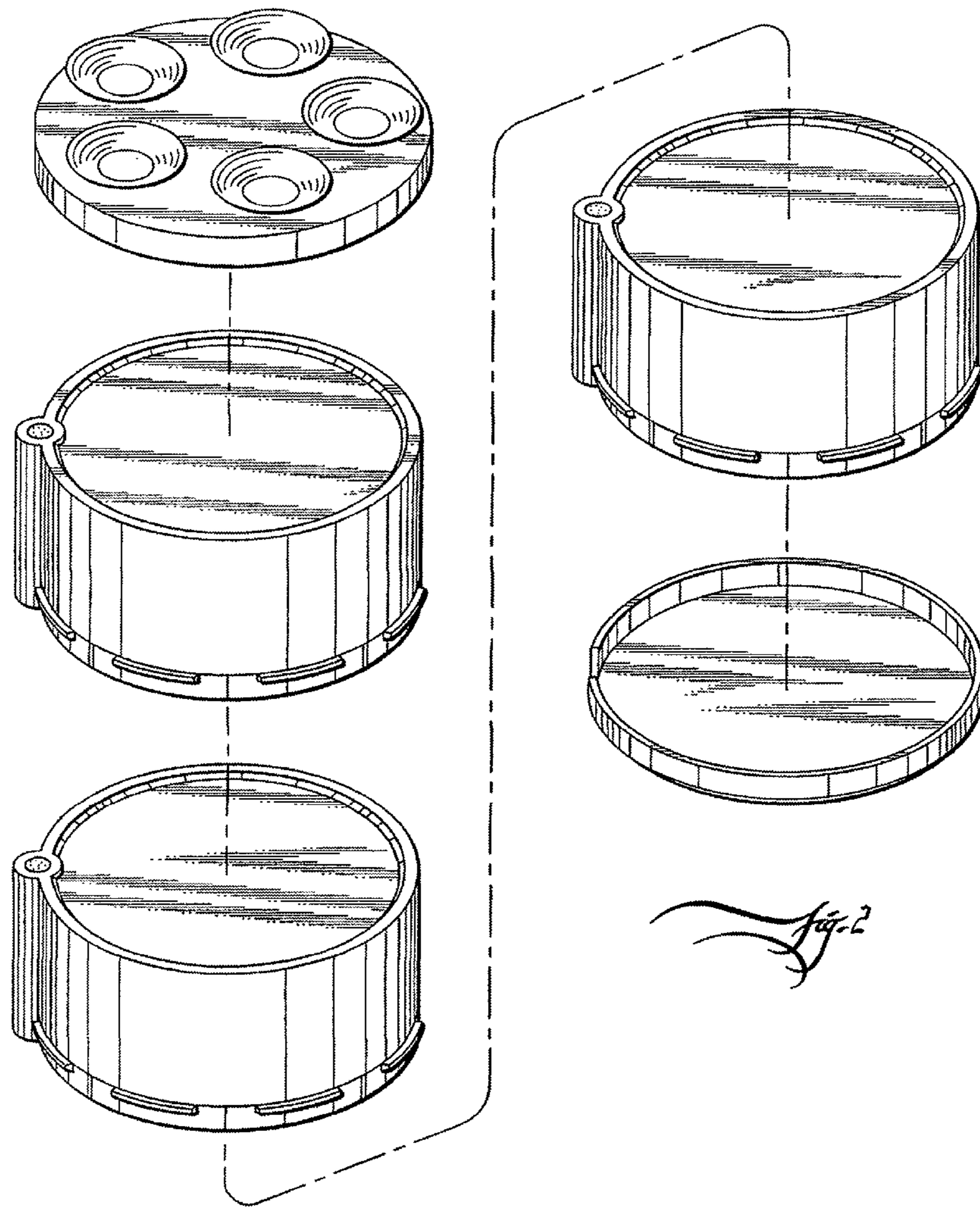
The broken line figure in FIG. 1, showing a hand, is for purposes of illustration, and the hand is not a part of my new design.

The additional broken line environment disclosed in FIG. 1 forms no part of the claimed design.

1 Claim, 7 Drawing Sheets







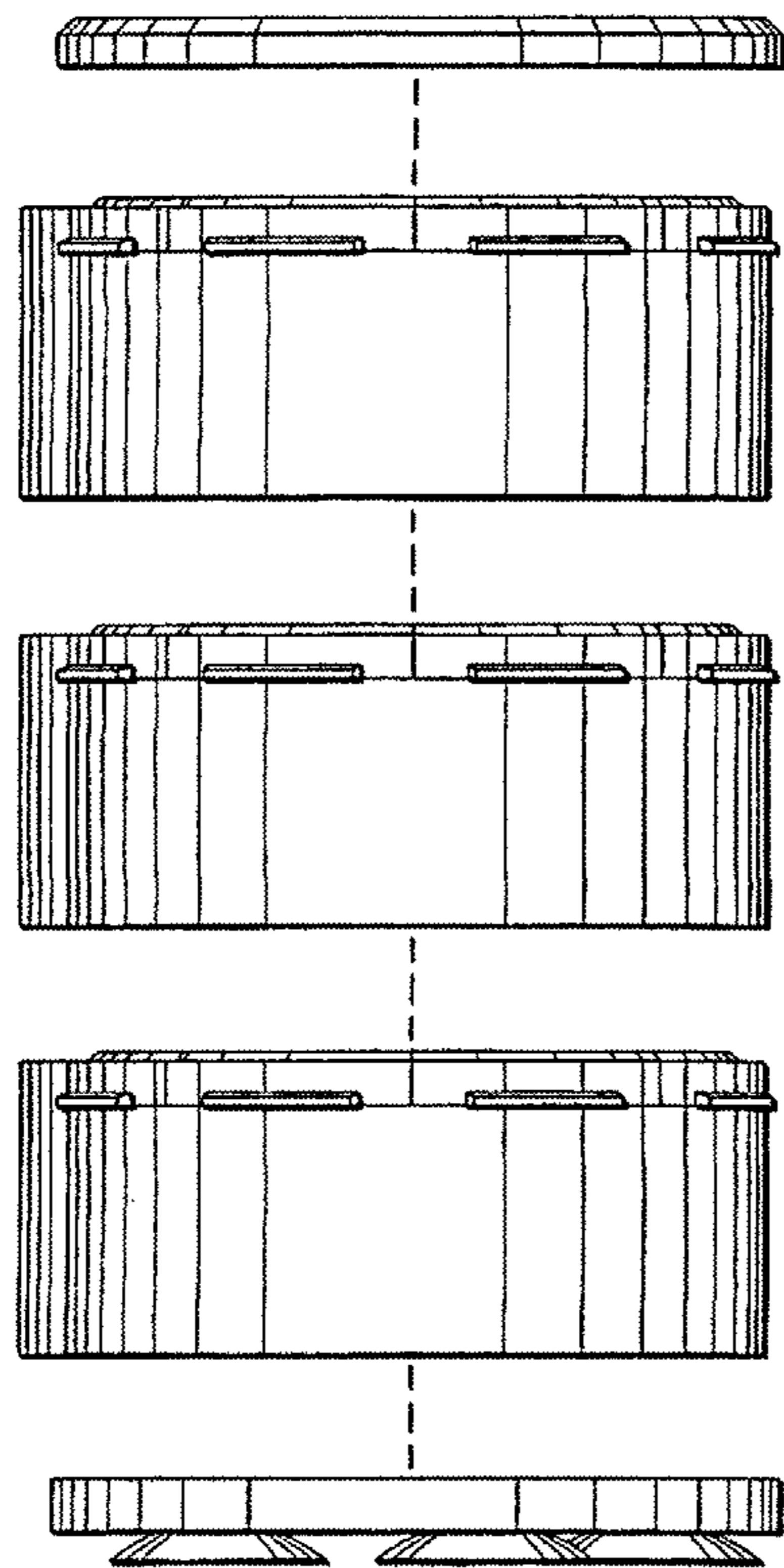


Fig. 3

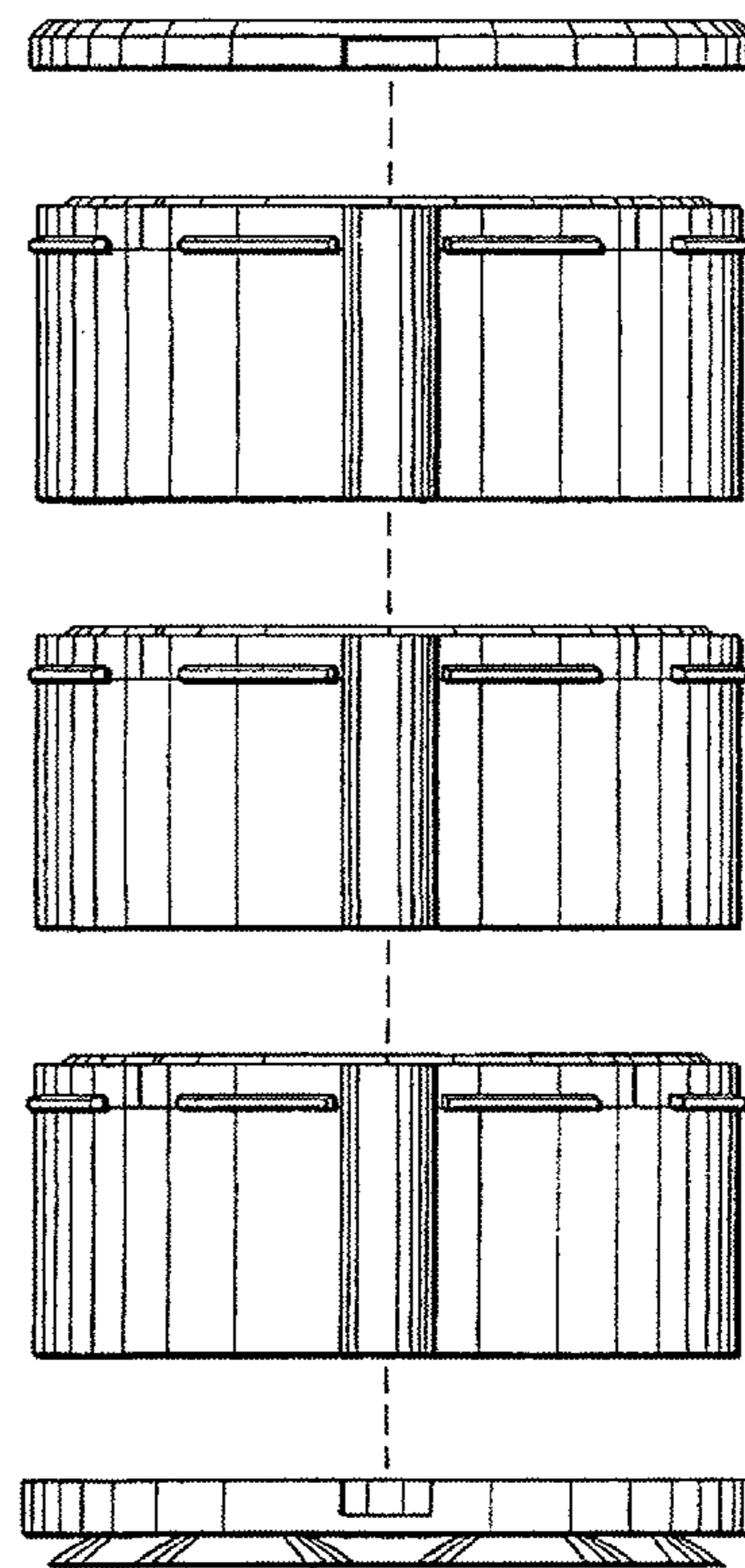


Fig. 4

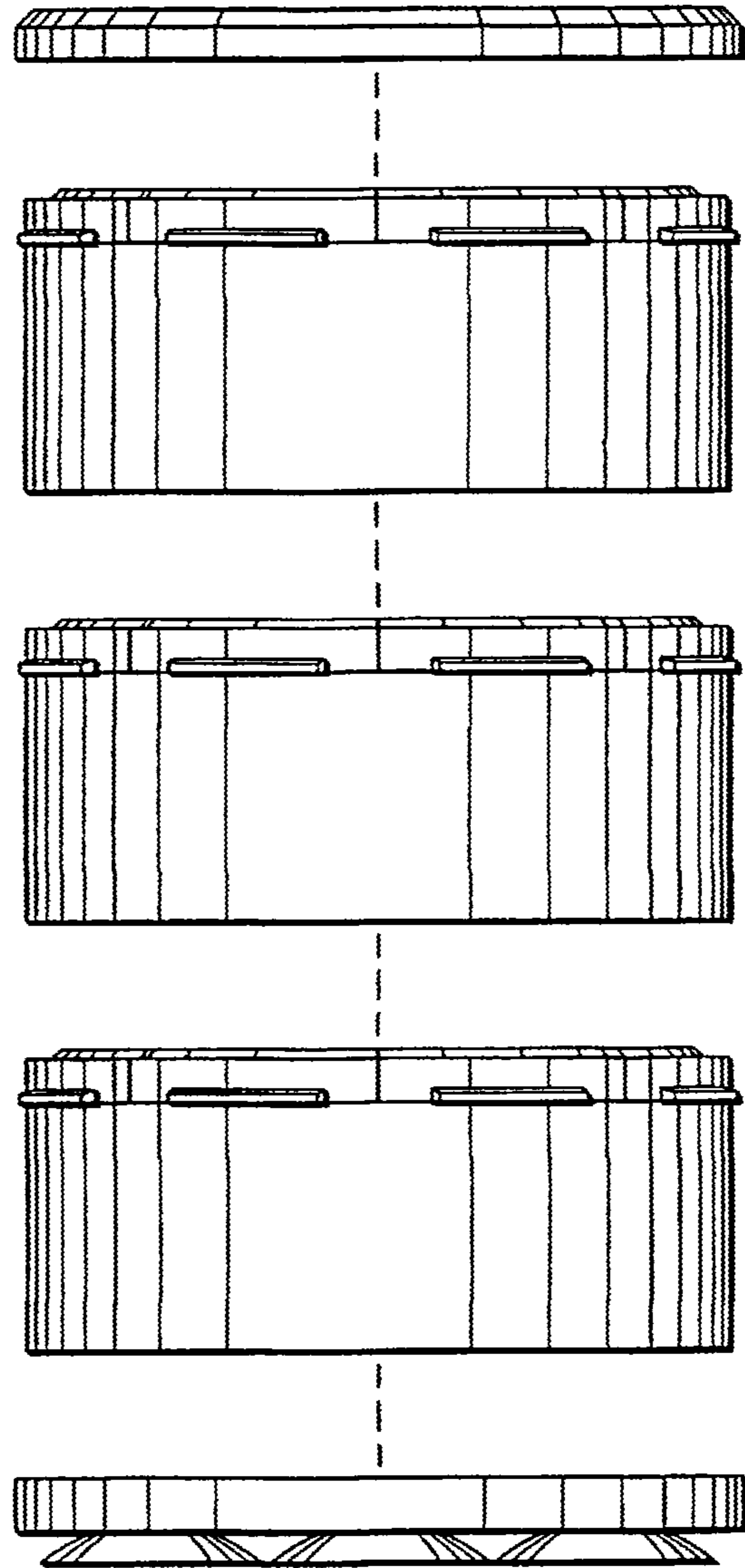


Fig. 5

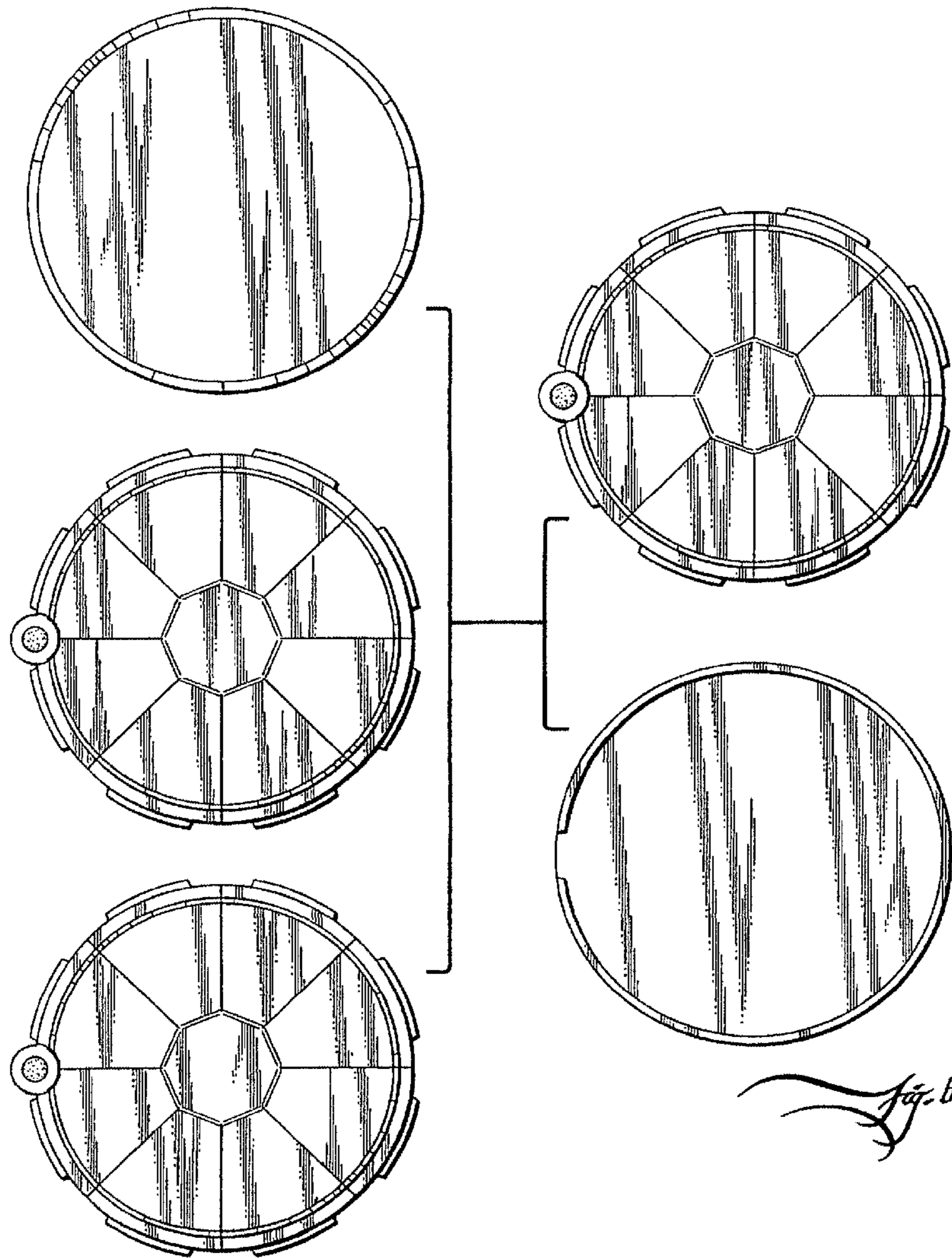
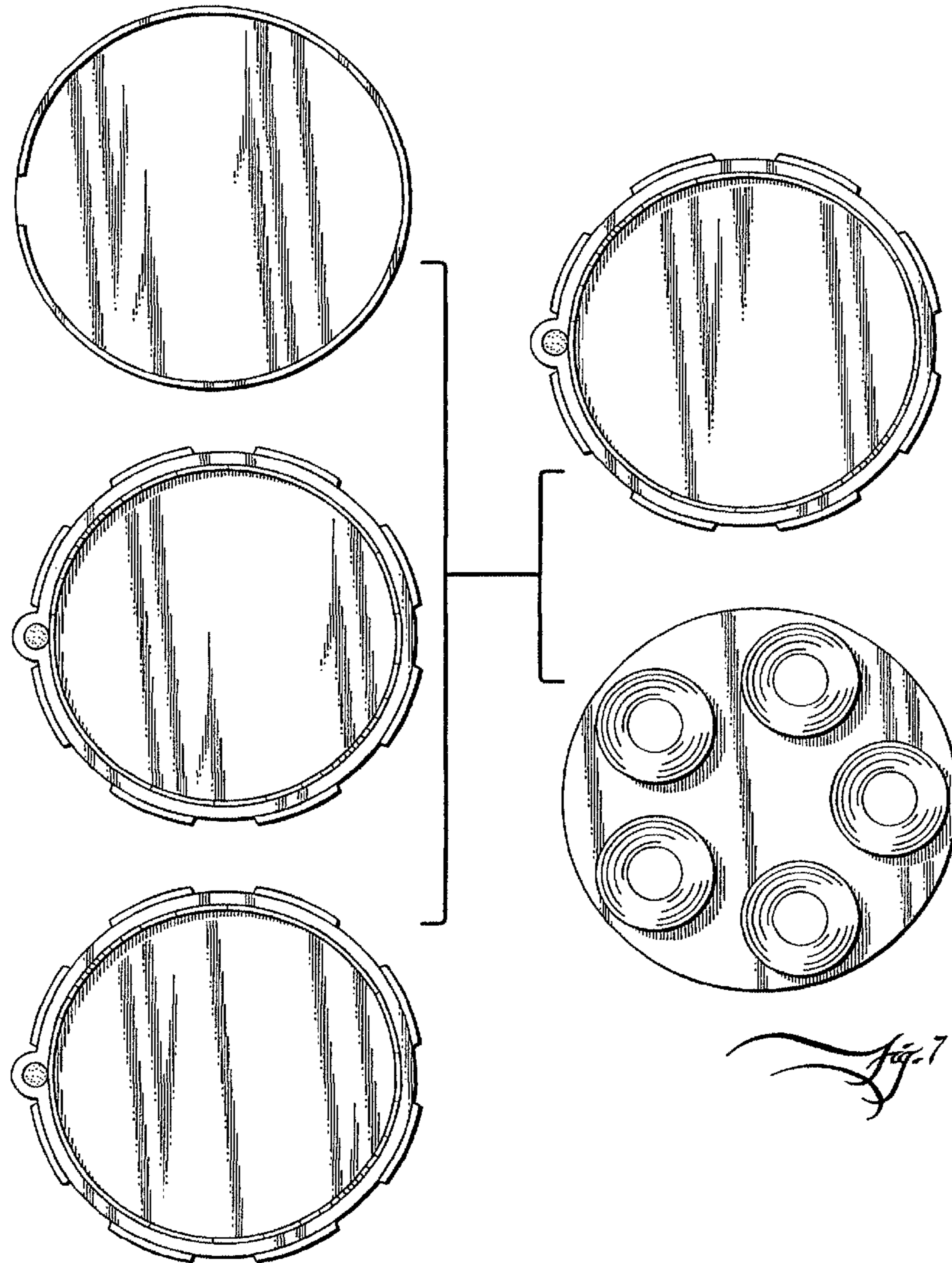


Fig. 5



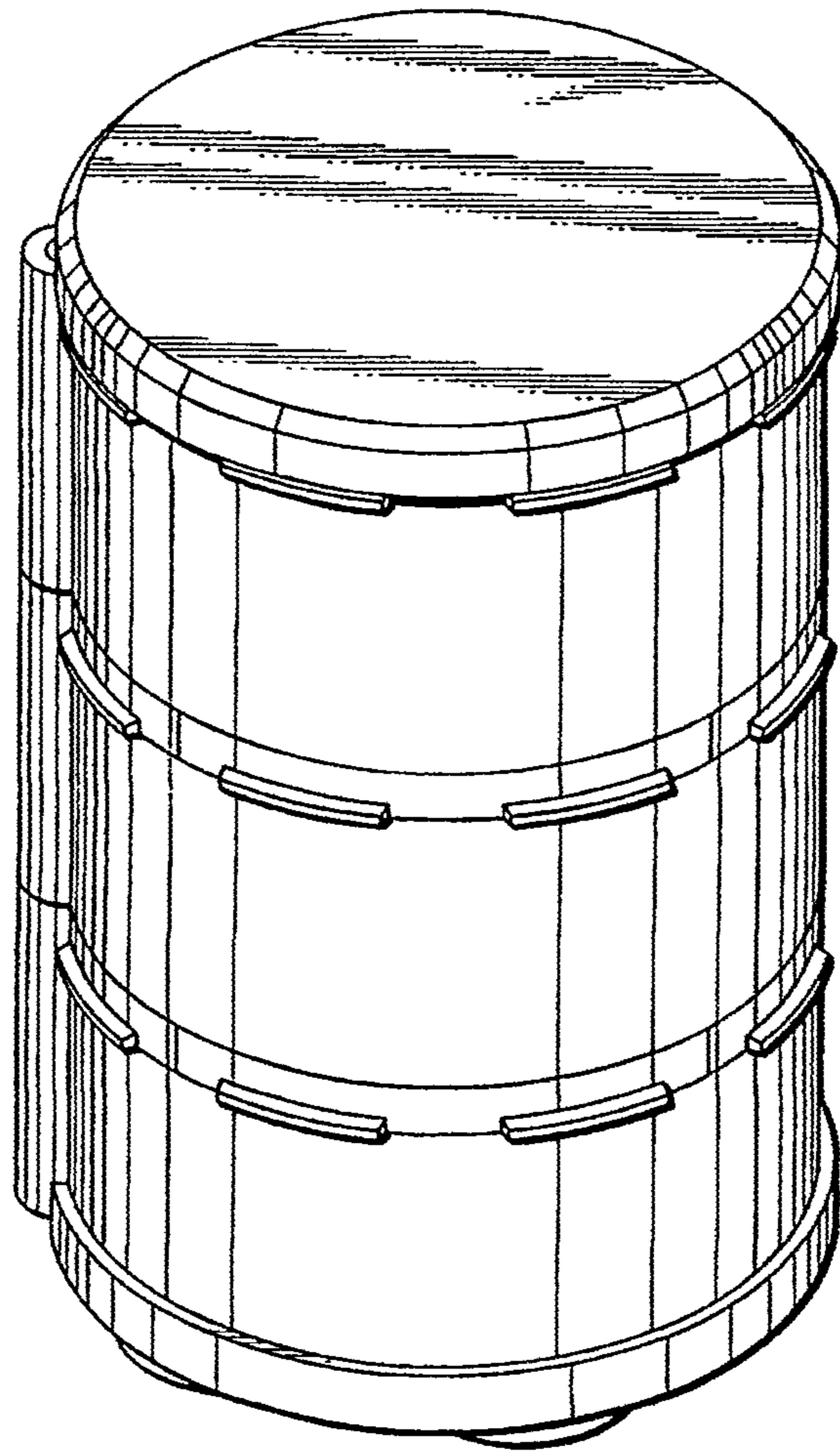


Fig. 8