



US00D708420S

(12) **United States Design Patent**
Rosales

(10) **Patent No.:** **US D708,420 S**

(45) **Date of Patent:** **** Jul. 8, 2014**

(54) **SEAT BELT BUCKLE COVER PROTECTOR**

(71) Applicant: **Larry Rosales**, Houston, TX (US)

(72) Inventor: **Larry Rosales**, Houston, TX (US)

(**) Term: **14 Years**

(21) Appl. No.: **29/439,365**

(22) Filed: **Dec. 10, 2012**

(51) **LOC (10) Cl.** **02-07**

(52) **U.S. Cl.**

USPC **D2/639**; D11/200

(58) **Field of Classification Search**

CPC A41F 9/00; B60R 22/00

USPC D11/1-2, 200-201, 206-210, 214-218;

24/163 R, 169-171, 173, 177-179, 191,

24/194-195, 197, 200, 614-616, 625, 196,

24/593.1; 280/801.1, 733; D2/639, 624;

D20/630

See application file for complete search history.

(56) **References Cited**

U.S. PATENT DOCUMENTS

4,535,514	A	8/1985	Grabowski	
4,674,303	A *	6/1987	Salcone, II	70/63
4,731,912	A *	3/1988	Boriskie et al.	24/633
4,939,824	A	7/1990	Reed	
D331,835	S	12/1992	Welch	

D343,284	S	1/1994	Jaramillo	
5,307,544	A	5/1994	Quarberg et al.	
D374,112	S *	10/1996	Curti	D2/639
D396,736	S	8/1998	Davis	
D450,910	S *	11/2001	Zaldumbide	D2/639
6,769,157	B1 *	8/2004	Meal	24/633
D530,883	S *	10/2006	Cholewa	D2/639
D531,085	S *	10/2006	Ector-Posey	D11/200
D555,537	S *	11/2007	Portelli	D11/200
D618,136	S *	6/2010	Ward	D11/200
D630,970	S *	1/2011	McNaughton	D11/200
D633,413	S *	3/2011	McNaughton	D11/200
D667,339	S *	9/2012	Bailey et al.	D11/216

* cited by examiner

Primary Examiner — Ralf Seifert

(74) *Attorney, Agent, or Firm* — KB Patents; Luca D'Ottone

(57) **CLAIM**

The ornamental design for a seat belt buckle cover protector, as shown and described.

DESCRIPTION

FIG. 1 is a front view of a seat belt buckle cover protector, showing my new design;

FIG. 2 is a rear view thereof;

FIG. 3 is a top view thereof;

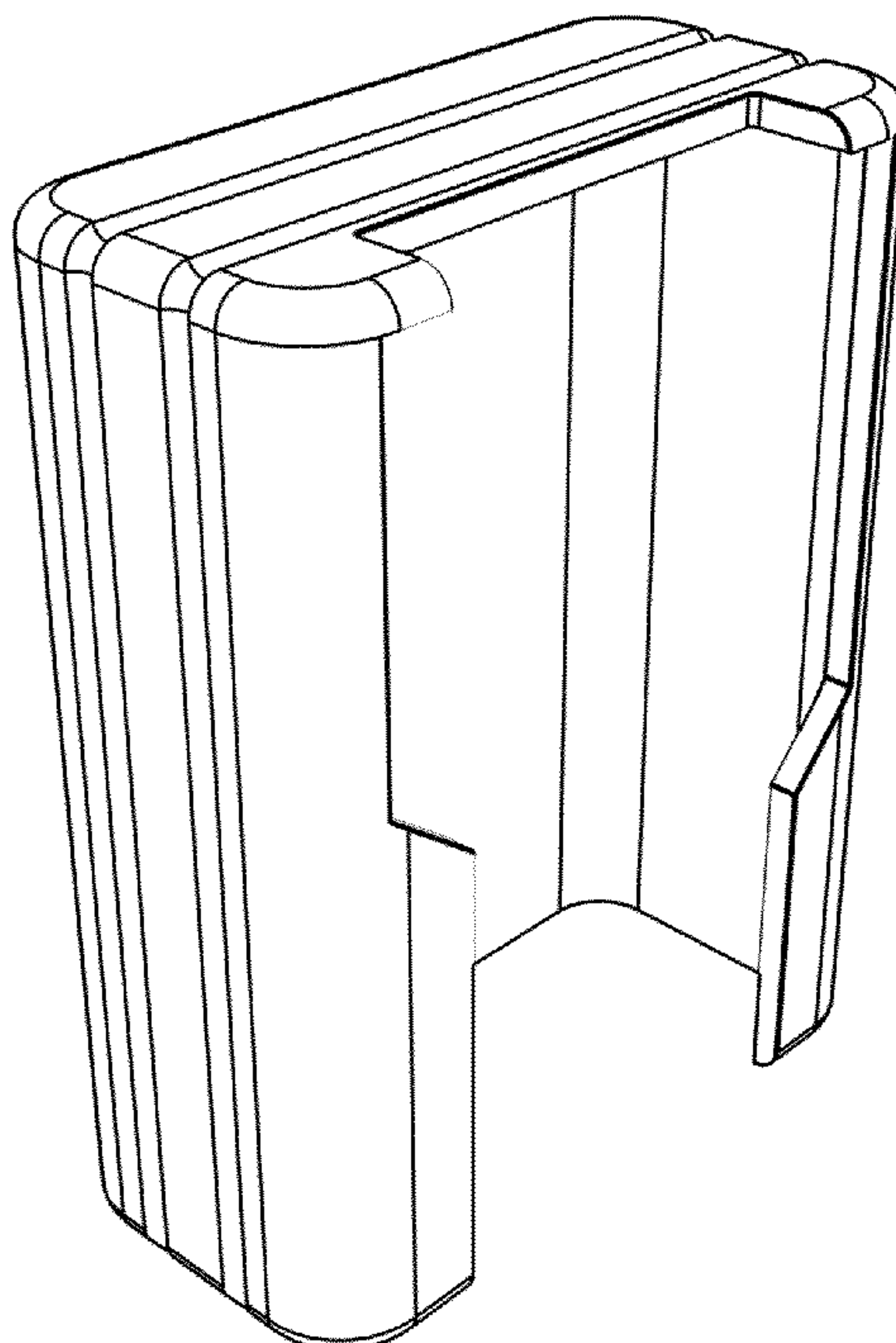
FIG. 4 is a bottom view thereof;

FIG. 5 is a lateral view (right side) thereof;

FIG. 6 is a lateral view (left side) thereof; and,

FIG. 7 is a perspective view thereof.

1 Claim, 7 Drawing Sheets



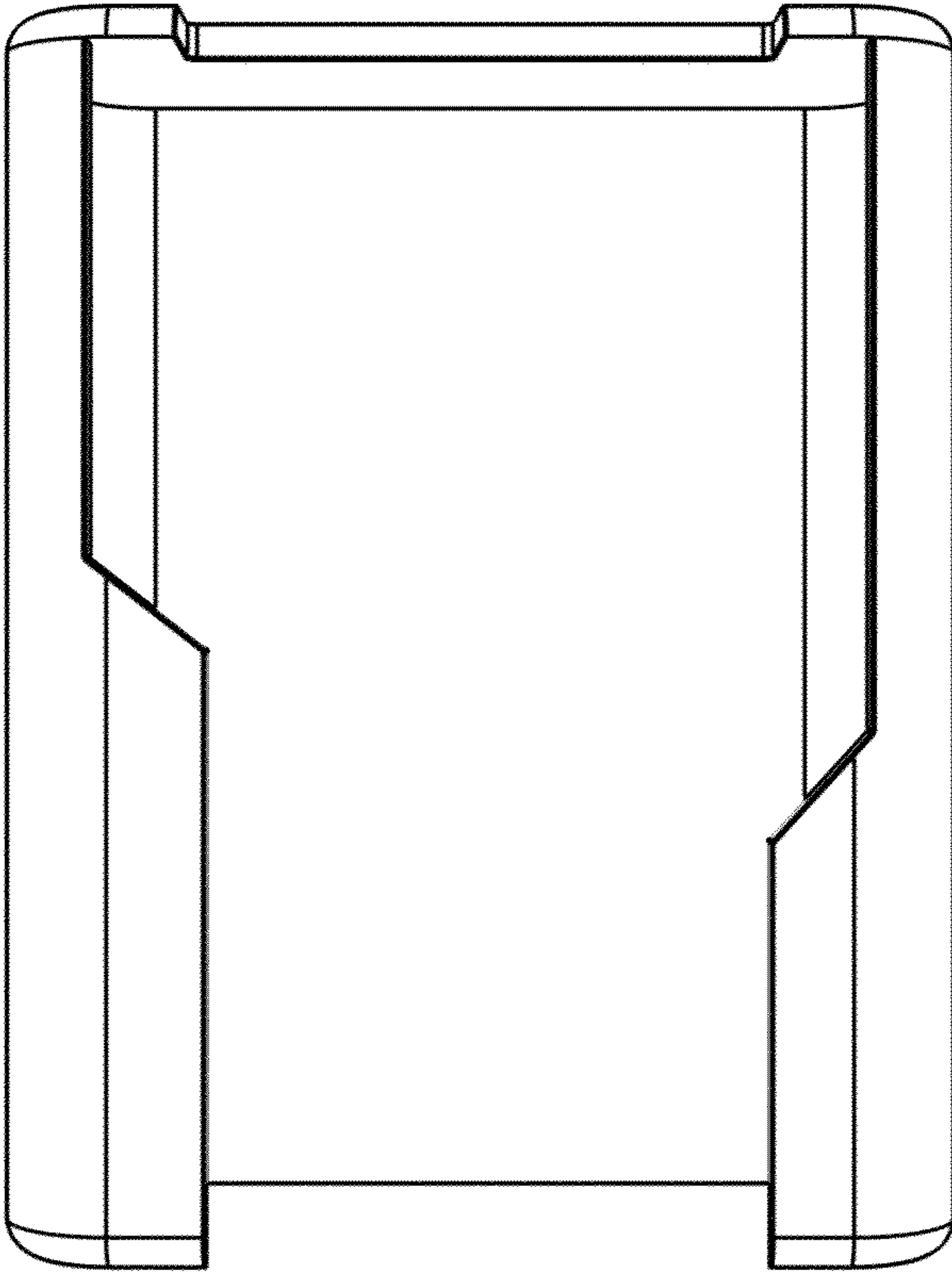


FIG. 1

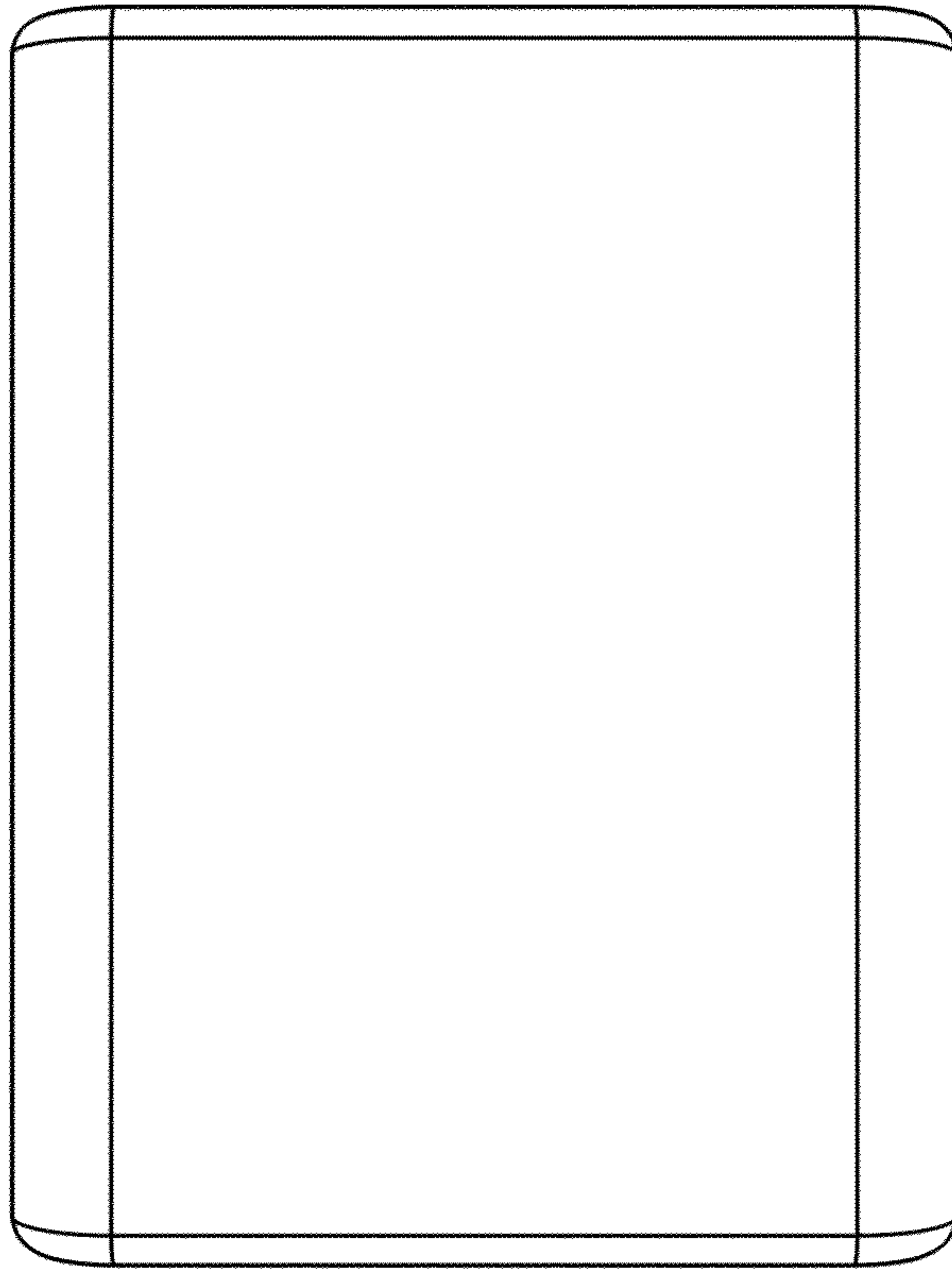


FIG. 2

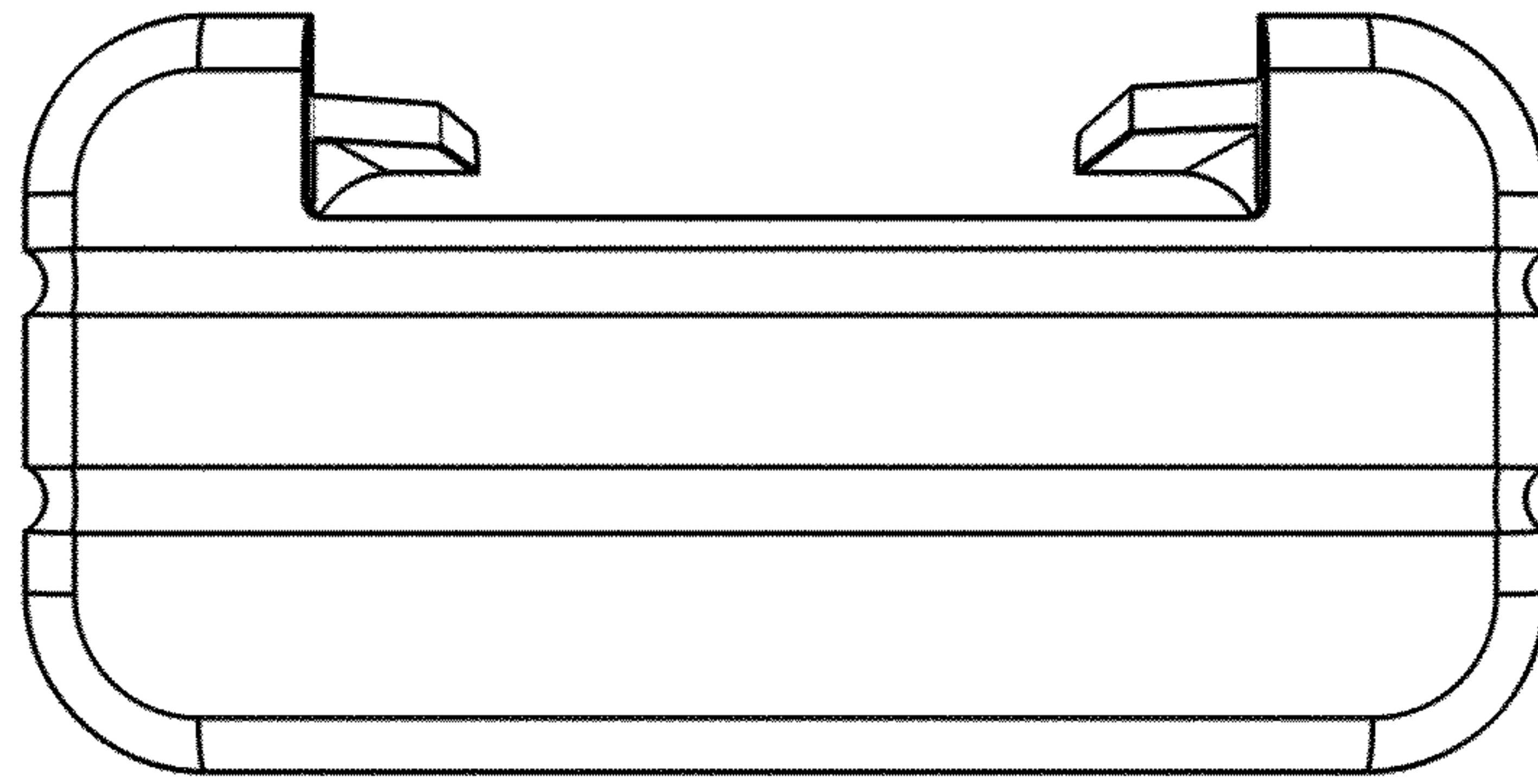


FIG. 3

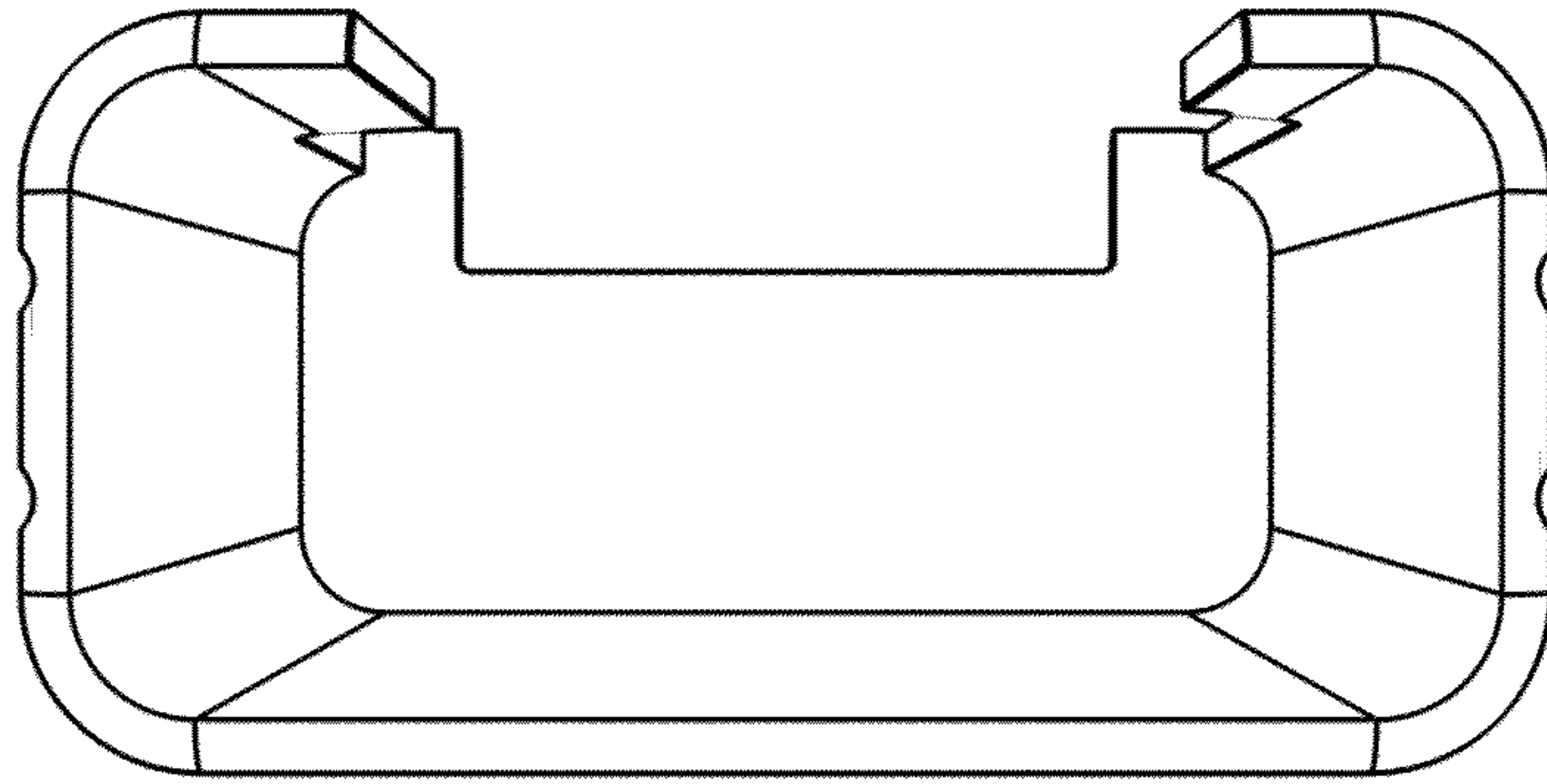


FIG. 4

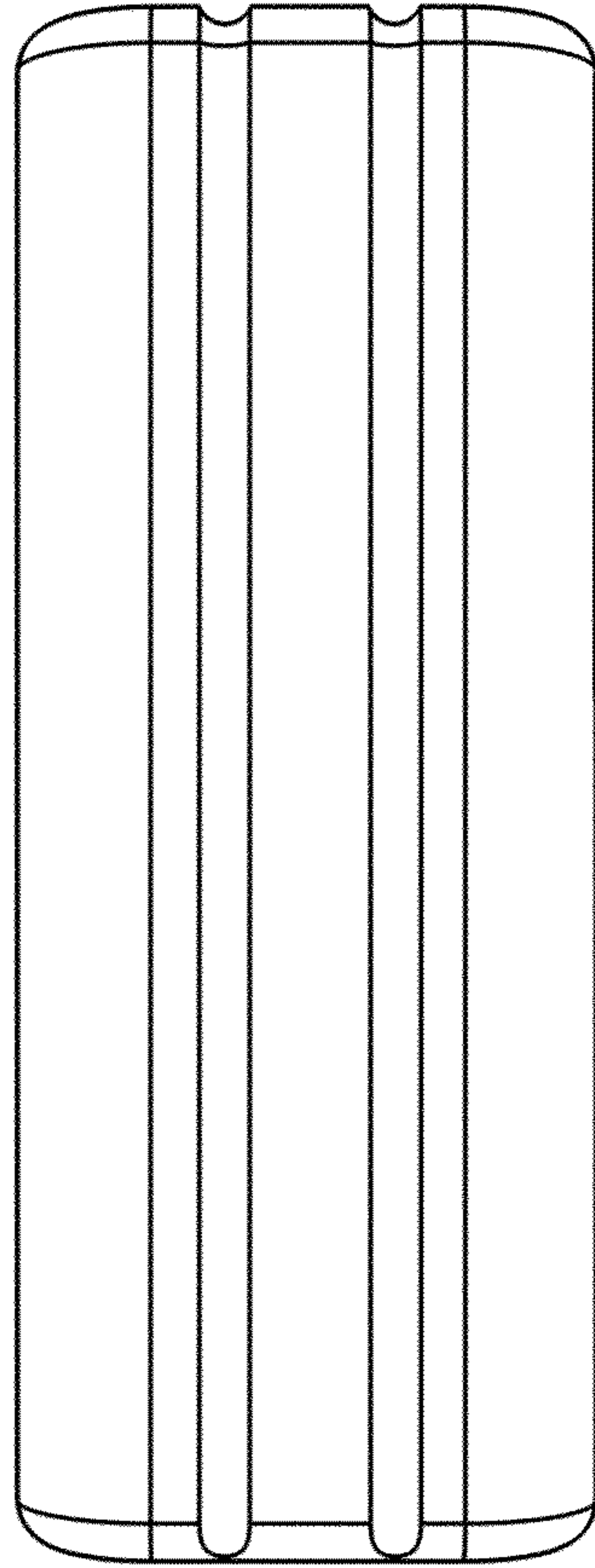


FIG. 5

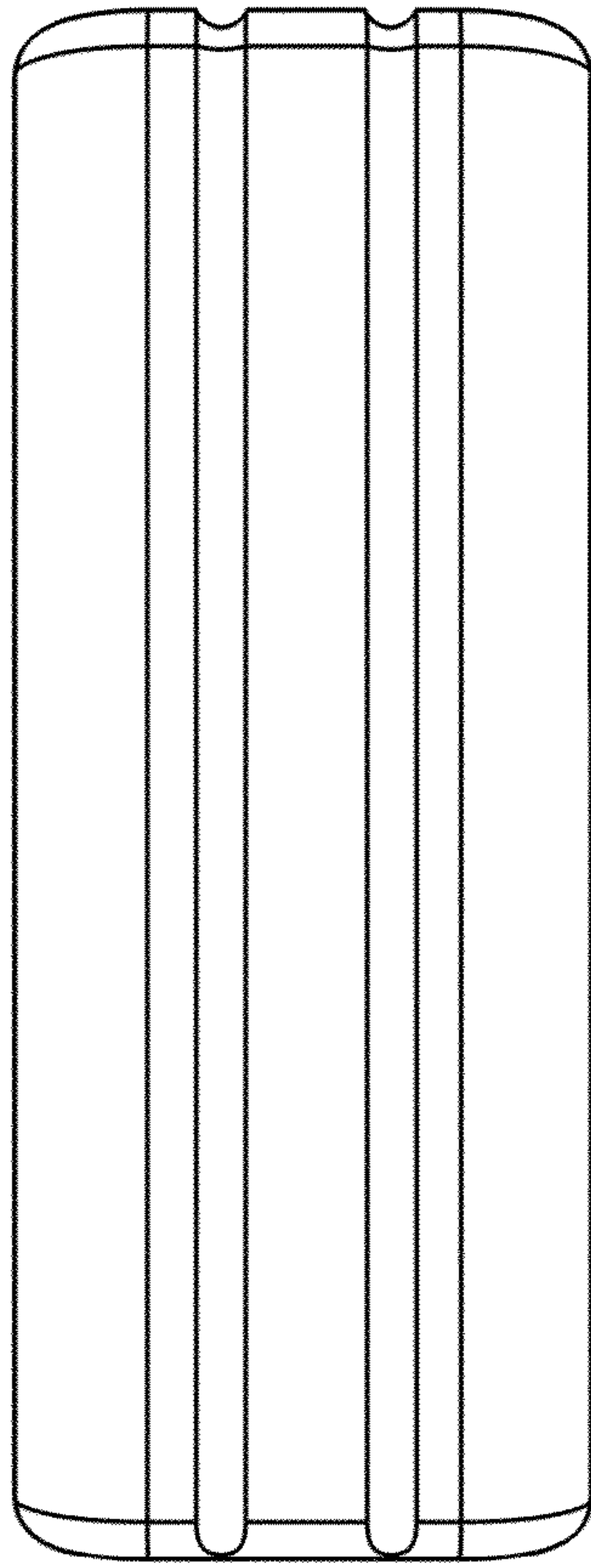


FIG. 6

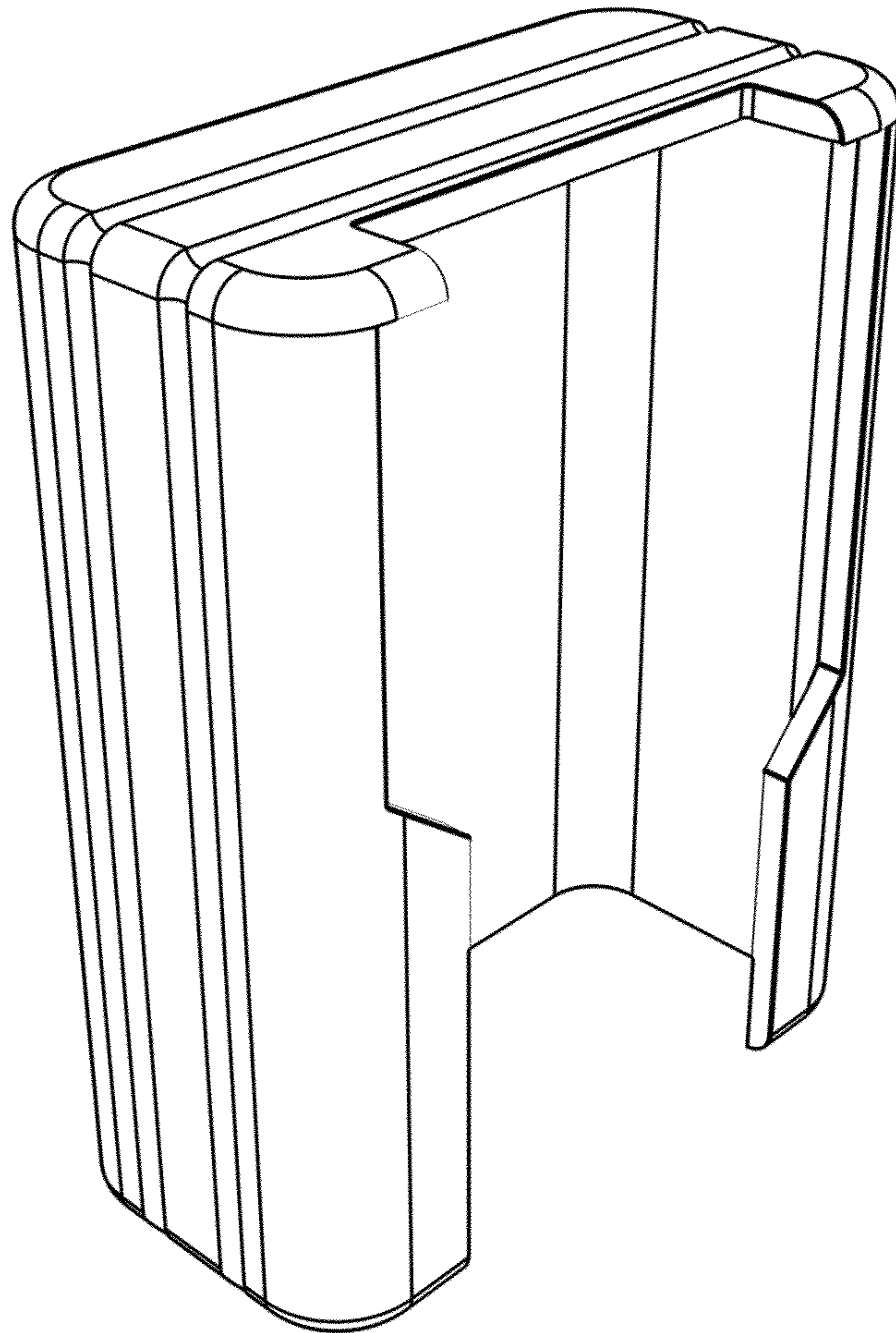


FIG. 7