



US00D708418S

(12) **United States Design Patent**  
**Allen**

(10) **Patent No.:** **US D708,418 S**  
(45) **Date of Patent:** **\*\* Jul. 8, 2014**

(54) **DOG BONE CHEW CONSUMABLE**

(71) Applicant: **Radio Systems Corporation**, Knoxville,  
TN (US)

(72) Inventor: **Brad Allen**, Stillwell, KS (US)

(73) Assignee: **Radio Systems Corporation**, Knoxville,  
TN (US)

(\*\*) Term: **14 Years**

(21) Appl. No.: **29/446,134**

(22) Filed: **Feb. 20, 2013**

(51) **LOC (10) Cl.** ..... **01-01**

(52) **U.S. Cl.**  
USPC ..... **D1/106**

(58) **Field of Classification Search**  
USPC ..... D1/100–130, 199; 426/5, 76, 87, 92,  
426/94, 95, 99, 101, 103, 104, 108,  
426/138–139, 143, 144, 279, 282, 283, 391,  
426/514, 549, 559, 560, 660, 808, 72;  
D21/385, 386; D30/160; D11/90, 157;  
40/310; 119/710; 2/60, 98, 116,  
2/123–124, 127, 129, 136, 141.1, 155;  
249/117, 137; D24/211, 212

See application file for complete search history.

(56) **References Cited**

**U.S. PATENT DOCUMENTS**

D177,529 S \* 4/1956 McDermott, Sr. .... D24/212  
D253,373 S \* 11/1979 Celeste ..... D24/212

D256,503 S \* 8/1980 Moustakas ..... D24/212  
D281,816 S \* 12/1985 Conn et al. .... D24/211  
D472,682 S \* 4/2003 Tepper et al. .... D30/160  
D477,693 S \* 7/2003 Kirch ..... D30/160  
D479,369 S \* 9/2003 Kirch ..... D30/160  
D497,240 S \* 10/2004 Tepper et al. .... D1/199  
D587,428 S \* 3/2009 Torney et al.  
D626,706 S \* 11/2010 Ragonetti ..... D30/160  
D658,348 S \* 5/2012 McCleary ..... D1/199  
D676,140 S \* 2/2013 Feightner ..... D24/212  
D689,155 S \* 9/2013 Jahns ..... D21/692

\* cited by examiner

*Primary Examiner* — Deanna L Pratt

*Assistant Examiner* — Katie Mroczka

(74) *Attorney, Agent, or Firm* — Pitts & Lake, P.C.

(57) **CLAIM**

I claim the ornamental design for a dog bone chew consumable, as shown and described.

**DESCRIPTION**

FIG. 1 is a perspective view of a dog bone chew consumable showing my new design;

FIG. 2 is a front view of such dog bone chew consumable;

FIG. 3 is a back view of such dog bone chew consumable;

FIG. 4 is a top view of such dog bone chew consumable;

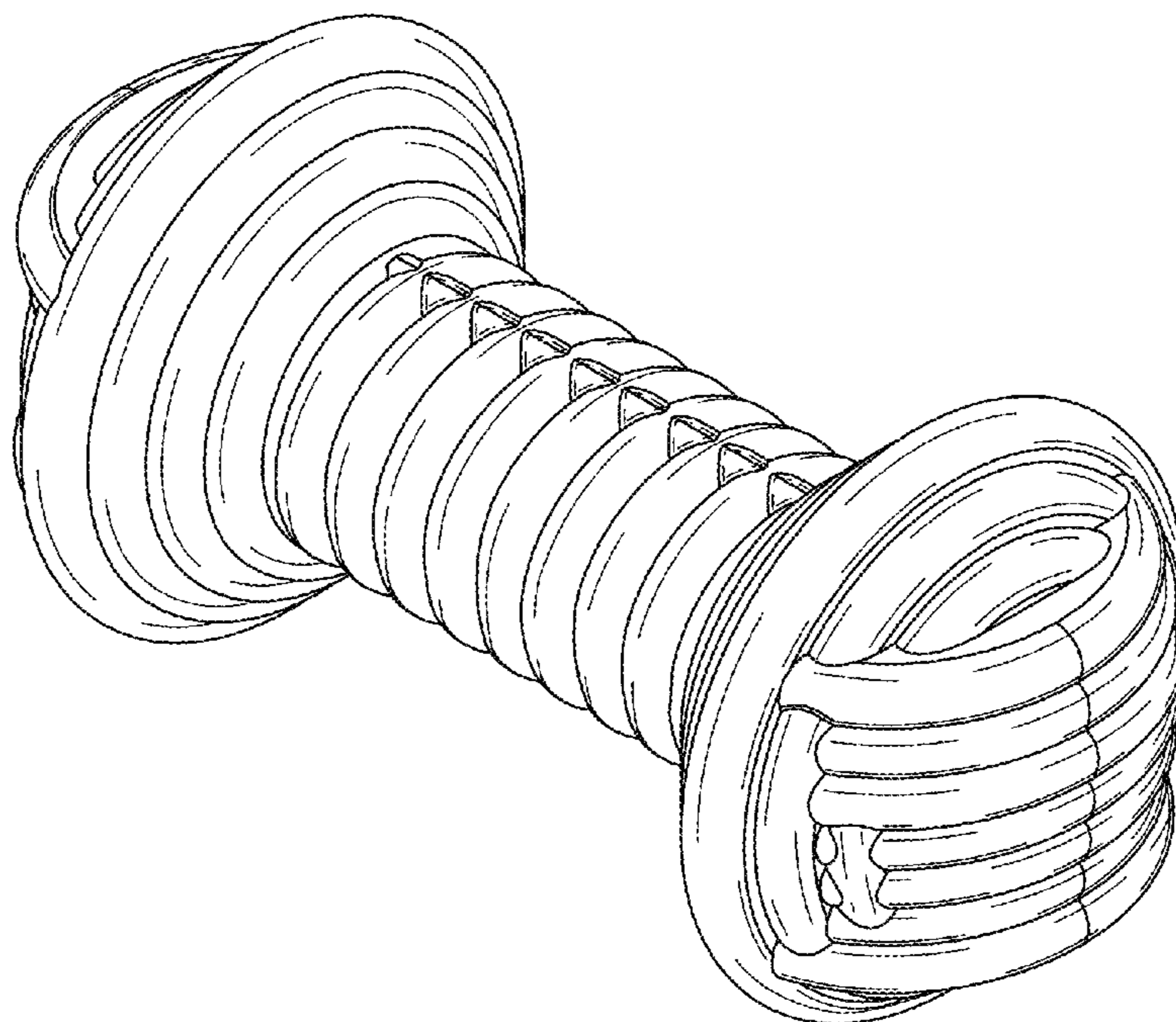
FIG. 5 is a bottom view of such dog bone chew consumable;

FIG. 6 is a left side view of such dog bone chew consumable;

and,

FIG. 7 is a right side view of such dog bone chew consumable.

**1 Claim, 4 Drawing Sheets**



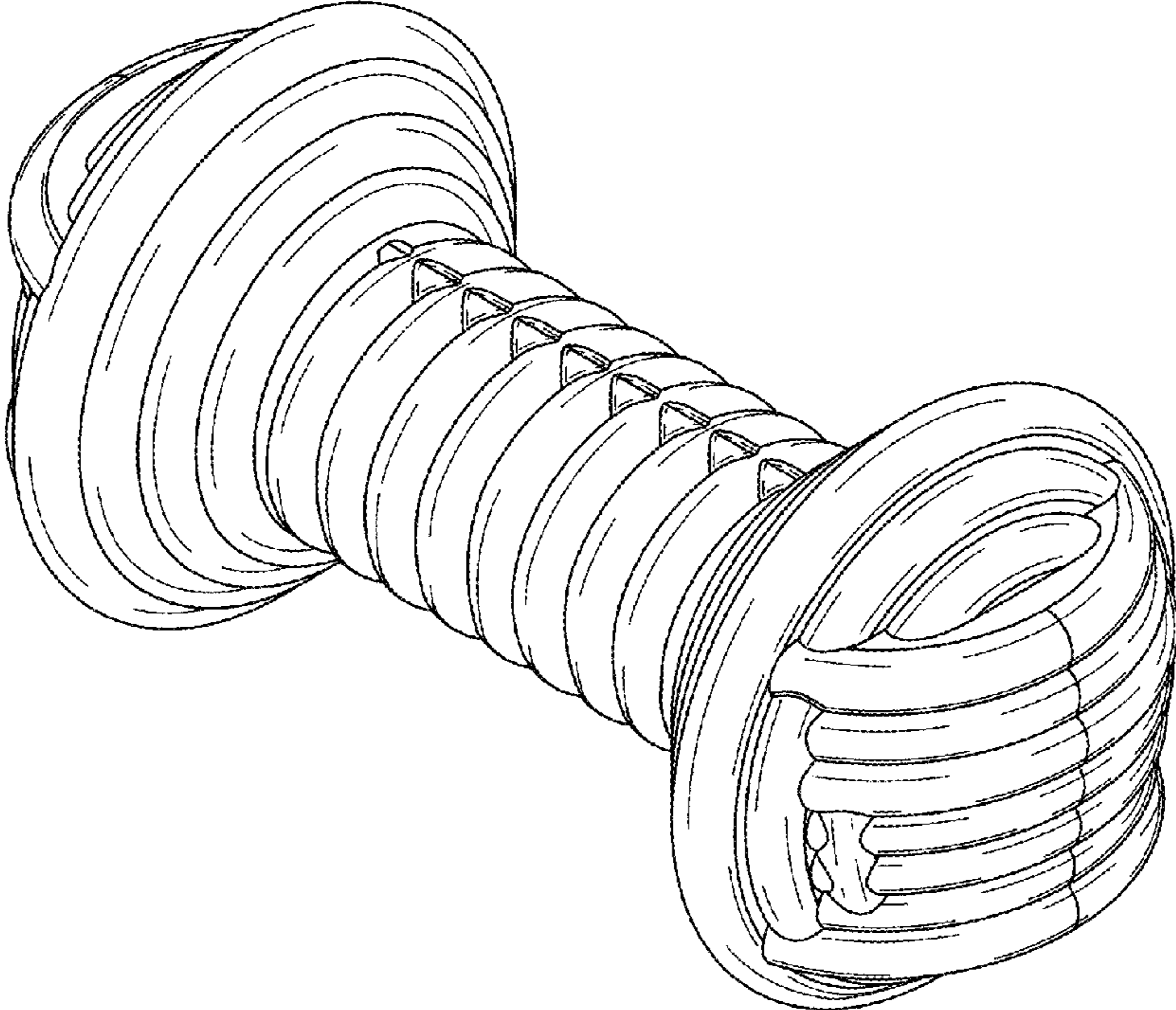


Fig. 1

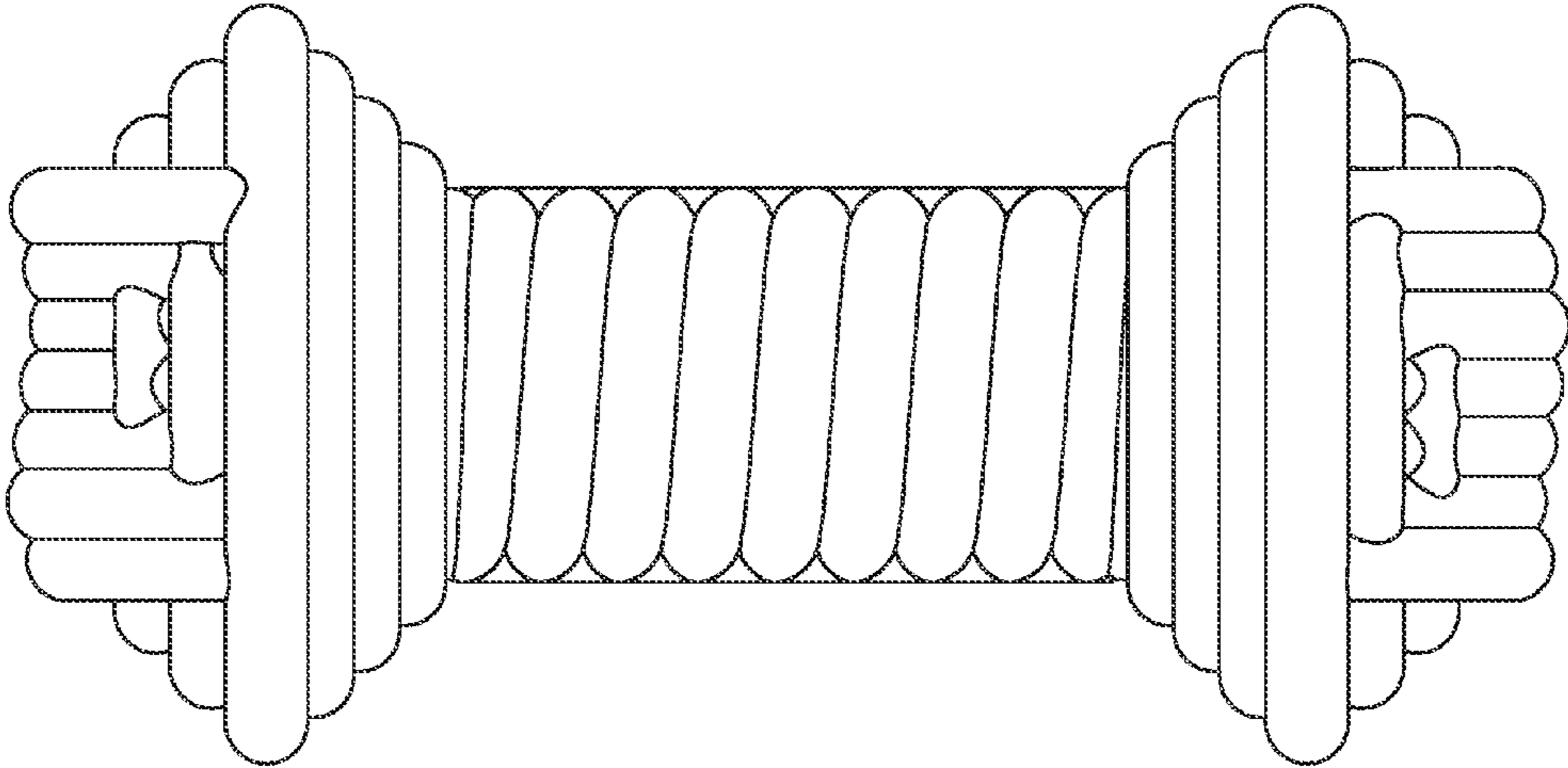


Fig. 2

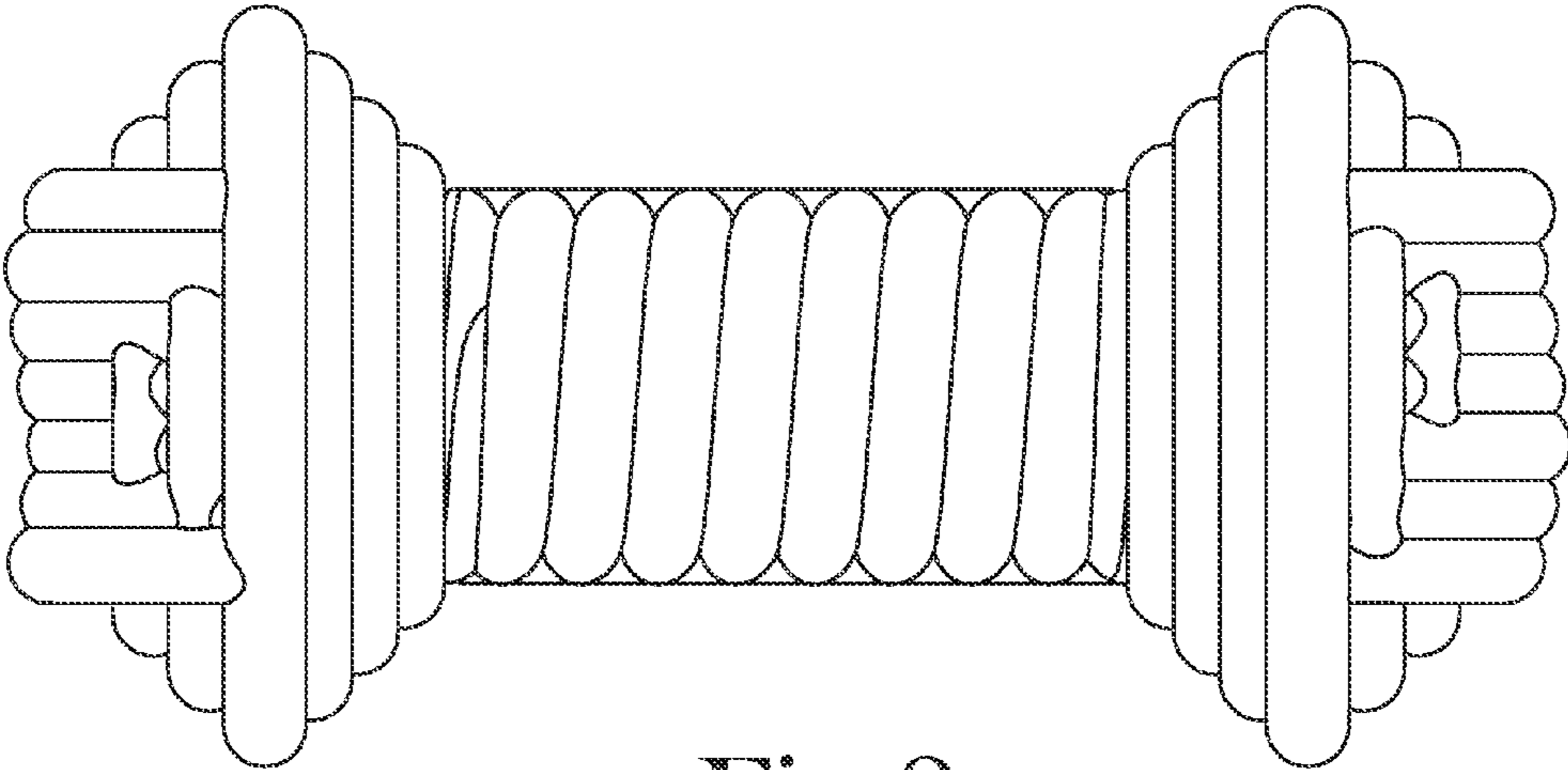


Fig. 3

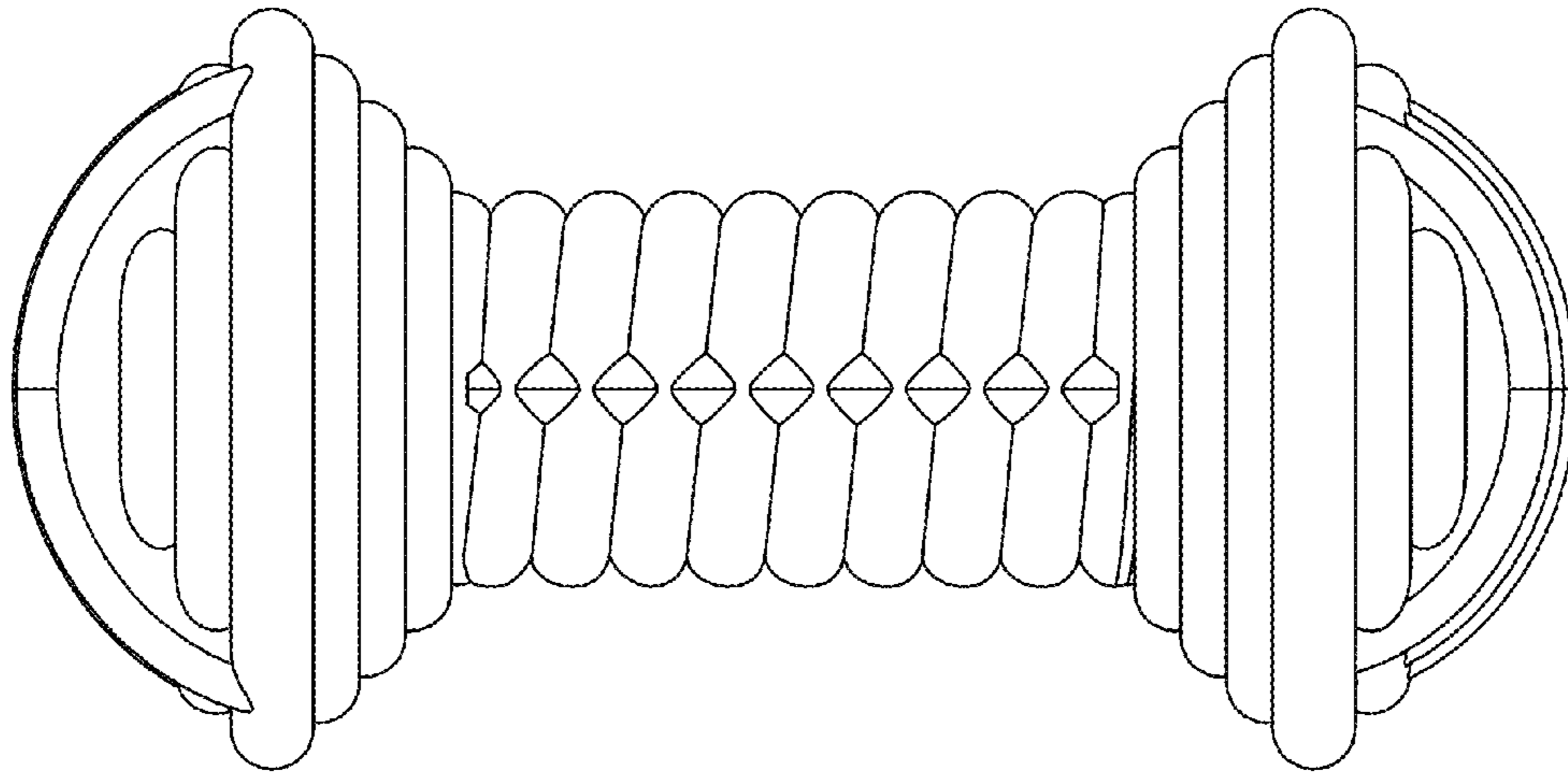


Fig. 4

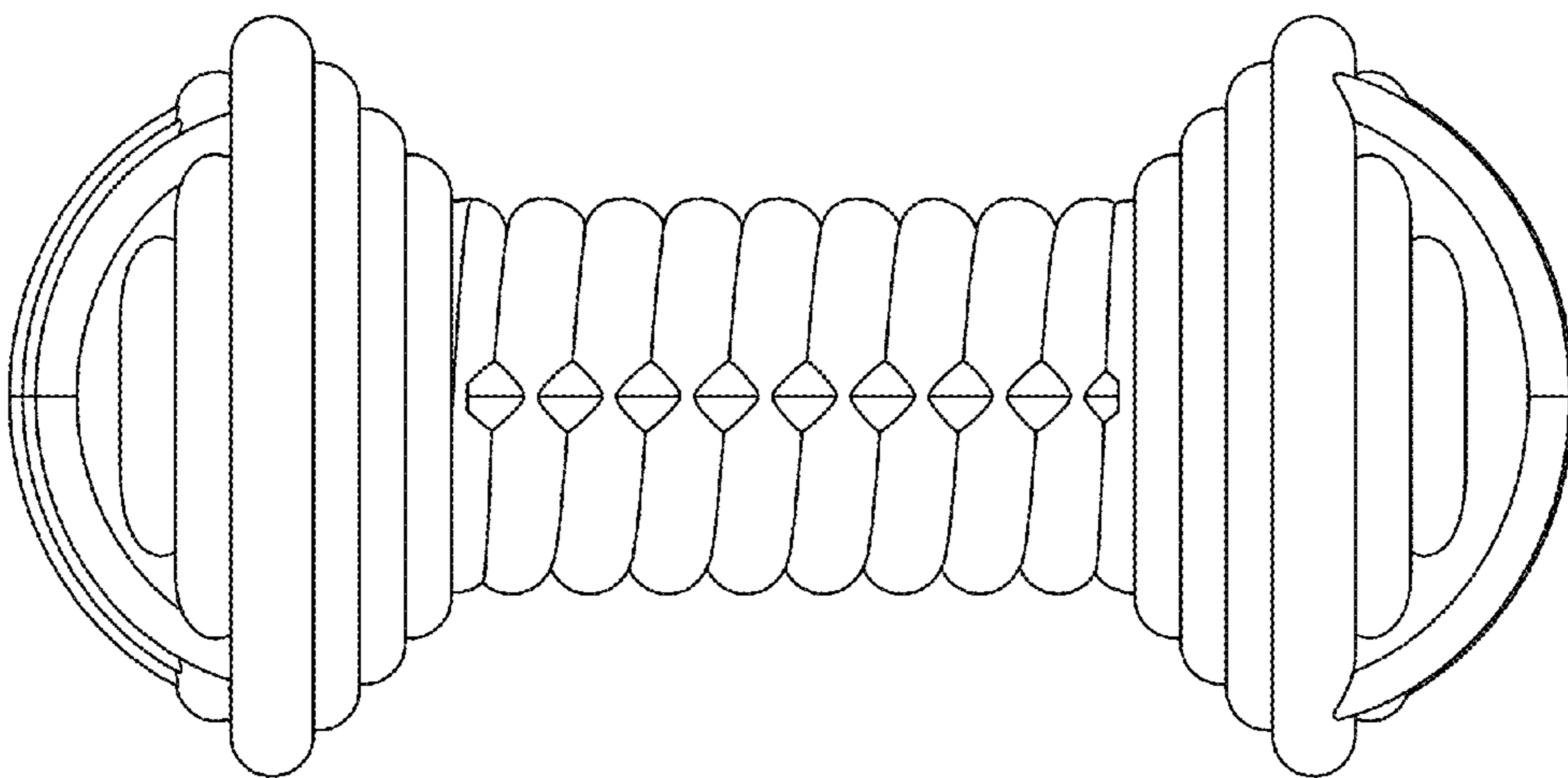


Fig. 5



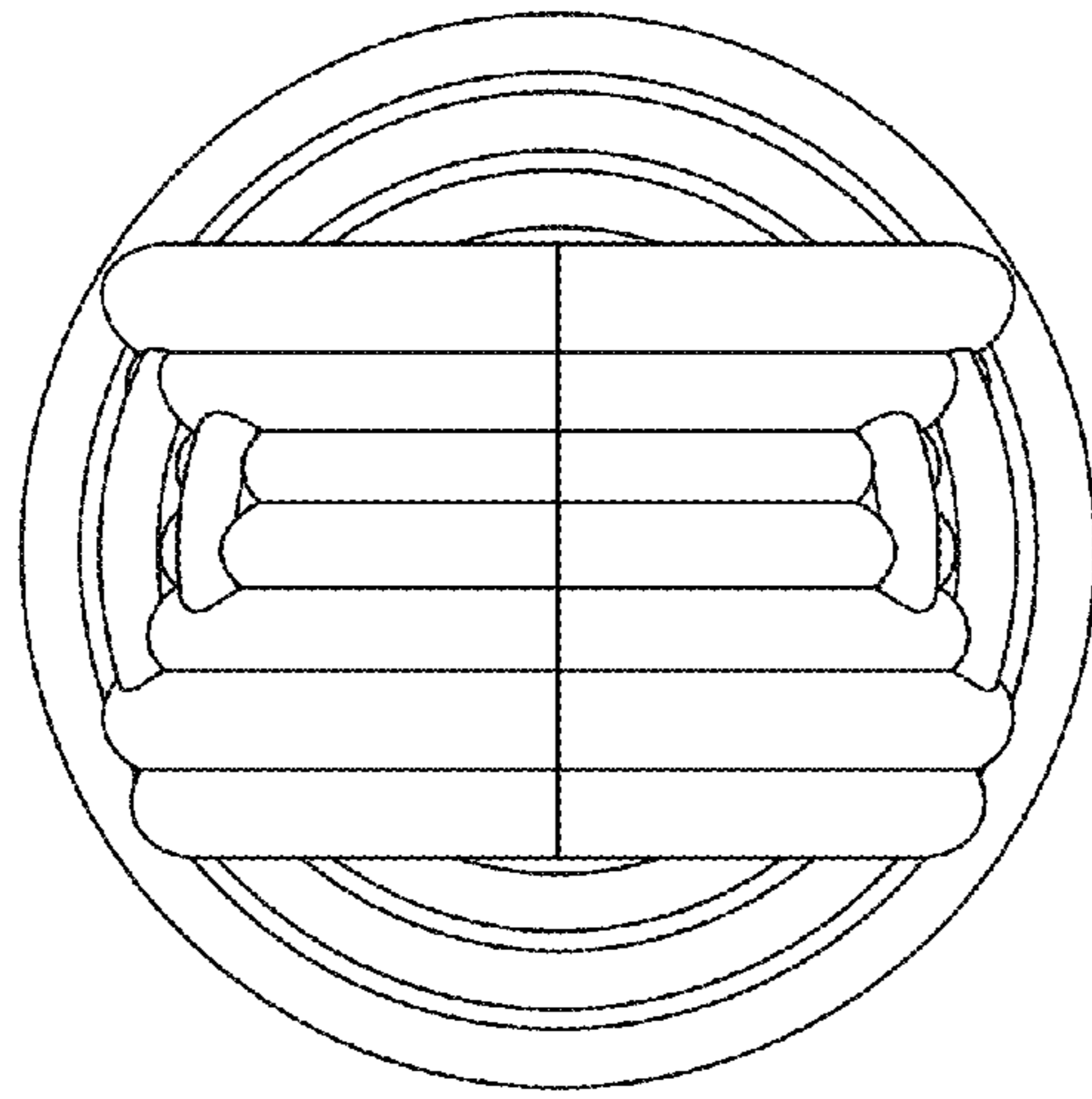


Fig.6

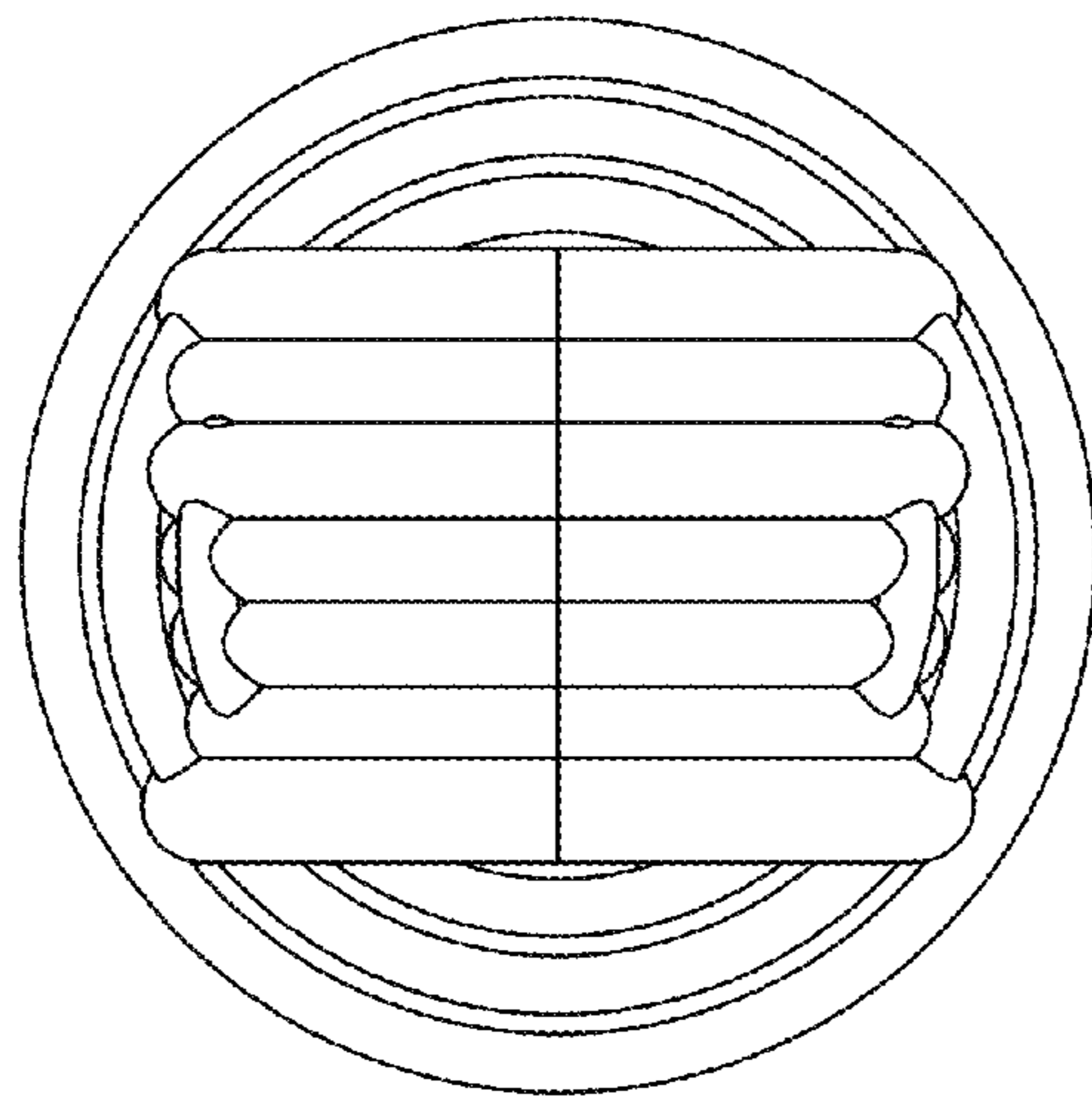


Fig.7