



US00D708414S

(12) **United States Design Patent**  
**Chen et al.**

(10) **Patent No.:** **US D708,414 S**  
(45) **Date of Patent:** **\*\* Jul. 1, 2014**

- (54) **COIN BANK**
- (75) Inventors: **Sam Chen**, Taipei (TW); **Charline Liu**, Taipei (TW); **Rachel Wertz**, Fort Lauderdale, FL (US); **Miryam Fossati**, Fort Lauderdale, FL (US)
- (73) Assignee: **Atico International USA, Inc.**, Fort Lauderdale, FL (US)
- (\*\*) Term: **14 Years**
- (21) Appl. No.: **29/431,993**

|           |   |   |         |                  |       |         |
|-----------|---|---|---------|------------------|-------|---------|
| D263,639  | S | * | 3/1982  | Orenstein        | ..... | D99/38  |
| 4,593,817 | A | * | 6/1986  | Ferrero          | ..... | 206/457 |
| D291,938  | S | * | 9/1987  | Kauffman         | ..... | D99/40  |
| D307,302  | S | * | 4/1990  | Horiuchi         | ..... | D99/38  |
| D354,834  | S | * | 1/1995  | Chesnut          | ..... | D99/38  |
| 5,437,408 | A | * | 8/1995  | Chesnut          | ..... | 232/4 R |
| D378,786  | S | * | 4/1997  | Chesnut          | ..... | D99/38  |
| D426,595  | S | * | 6/2000  | Jager            | ..... | D21/605 |
| D445,446  | S | * | 7/2001  | Knox et al.      | ..... | D18/3.1 |
| D458,727  | S | * | 6/2002  | Beacham          | ..... | D99/38  |
| D503,505  | S | * | 3/2005  | Beacham          | ..... | D99/38  |
| D565,274  | S | * | 3/2008  | Pickering et al. | ..... | D99/38  |
| D579,175  | S | * | 10/2008 | Pickering et al. | ..... | D99/40  |
| D629,175  | S | * | 12/2010 | McMaster et al.  | ..... | D99/38  |
| D643,995  | S | * | 8/2011  | McMaster et al.  | ..... | D99/38  |

\* cited by examiner

- (22) Filed: **Sep. 12, 2012**
- (51) **LOC (10) Cl.** ..... **99-00**
- (52) **U.S. Cl.**  
USPC ..... **D99/38**
- (58) **Field of Classification Search**  
USPC ..... D99/28, 34, 35, 36, 37, 38, 99;  
D18/3.1, 3.3, 12.1; D3/201, 272, 273,  
D3/274; D21/398, 584; 453/3, 39, 58, 63;  
206/0.8, 0.81, 0.815, 0.82, 0.83, 0.84;  
53/212, 213; 232/1 R, 1 A, 1 B, 1 D, 55,  
232/56, 64

Primary Examiner — Elizabeth J Oswecki

(74) *Attorney, Agent, or Firm* — David A. Casimir; Casimir Jones, S.C.

See application file for complete search history.

(57) **CLAIM**

The ornamental design for a coin bank, as shown and described.

(56) **References Cited**

U.S. PATENT DOCUMENTS

|           |   |   |         |               |       |         |
|-----------|---|---|---------|---------------|-------|---------|
| D10,509   | S | * | 3/1878  | Stevens       | ..... | D99/38  |
| D11,967   | S | * | 9/1880  | Bowen         | ..... | D99/38  |
| D13,400   | S | * | 11/1882 | Ritchel       | ..... | D99/38  |
| D35,159   | S | * | 10/1901 | Bailey        | ..... | D99/37  |
| D74,910   | S | * | 4/1928  | Zell          | ..... | D99/37  |
| D82,132   | S | * | 9/1930  | Brasier       | ..... | D99/37  |
| D121,589  | S | * | 7/1940  | Harris        | ..... | D99/37  |
| D126,549  | S | * | 4/1941  | Barbiers      | ..... | D99/37  |
| D162,255  | S | * | 2/1951  | Stier         | ..... | D99/38  |
| D165,712  | S | * | 1/1952  | Fitzgerald    | ..... | D99/36  |
| D168,094  | S | * | 11/1952 | Holmes        | ..... | D99/36  |
| D176,043  | S | * | 11/1955 | Senior et al. | ..... | D99/36  |
| 2,955,752 | A | * | 10/1960 | Thomas        | ..... | 232/4 R |
| D225,757  | S | * | 1/1973  | Levine        | ..... | D99/38  |
| D260,318  | S | * | 8/1981  | Miyazaki      | ..... | D99/38  |

**DESCRIPTION**

FIG. 1 is a front perspective view of a coin bank showing our new design in a closed configuration;  
 FIG. 2 is a left side elevational view thereof;  
 FIG. 3 is a top plan view thereof;  
 FIG. 4 is a front elevational view thereof;  
 FIG. 5 is a bottom plan view thereof;  
 FIG. 6 is a rear elevational view thereof;  
 FIG. 7 is a right side elevational view thereof;  
 FIG. 8 is a front perspective view thereof, shown in an open configuration;  
 FIG. 9 is a left side elevational view thereof;  
 FIG. 10 is a top plan view thereof;  
 FIG. 11 is a front elevational view thereof; and,  
 FIG. 12 is a right side elevational view thereof.

The broken lines in the drawings depict unclaimed environmental subject matter that form no part of the claimed design.

**1 Claim, 7 Drawing Sheets**

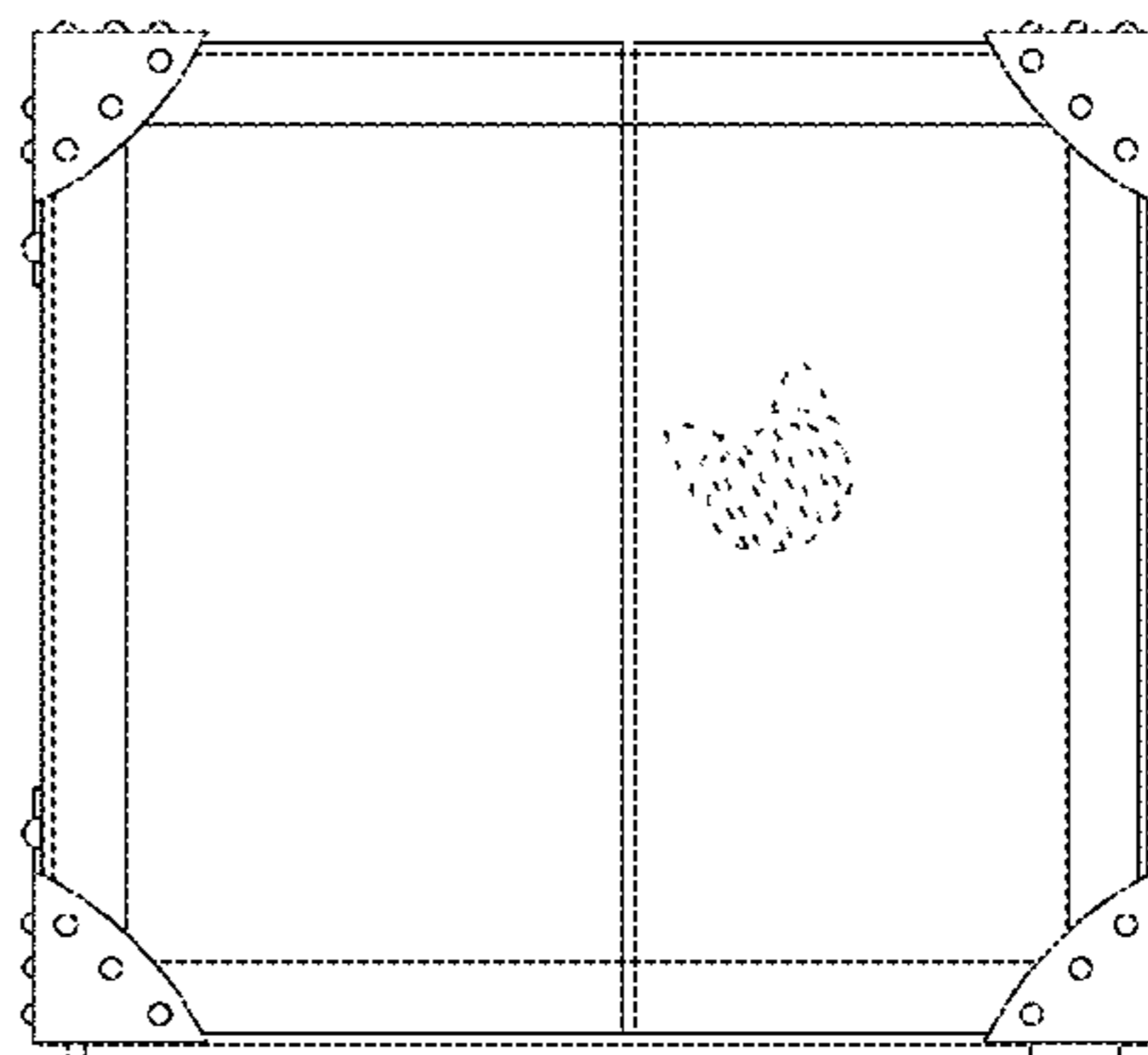
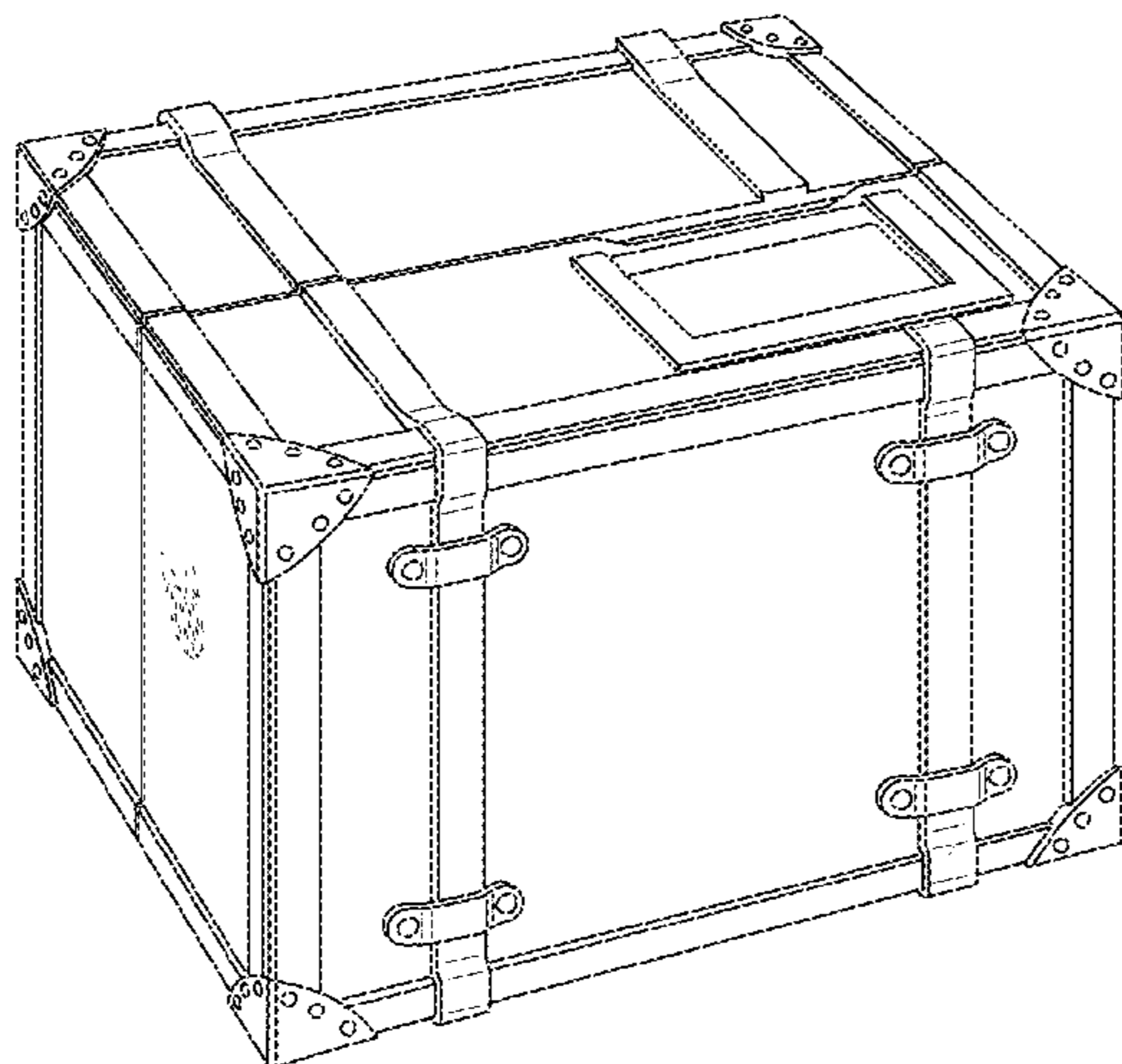


Fig. 1

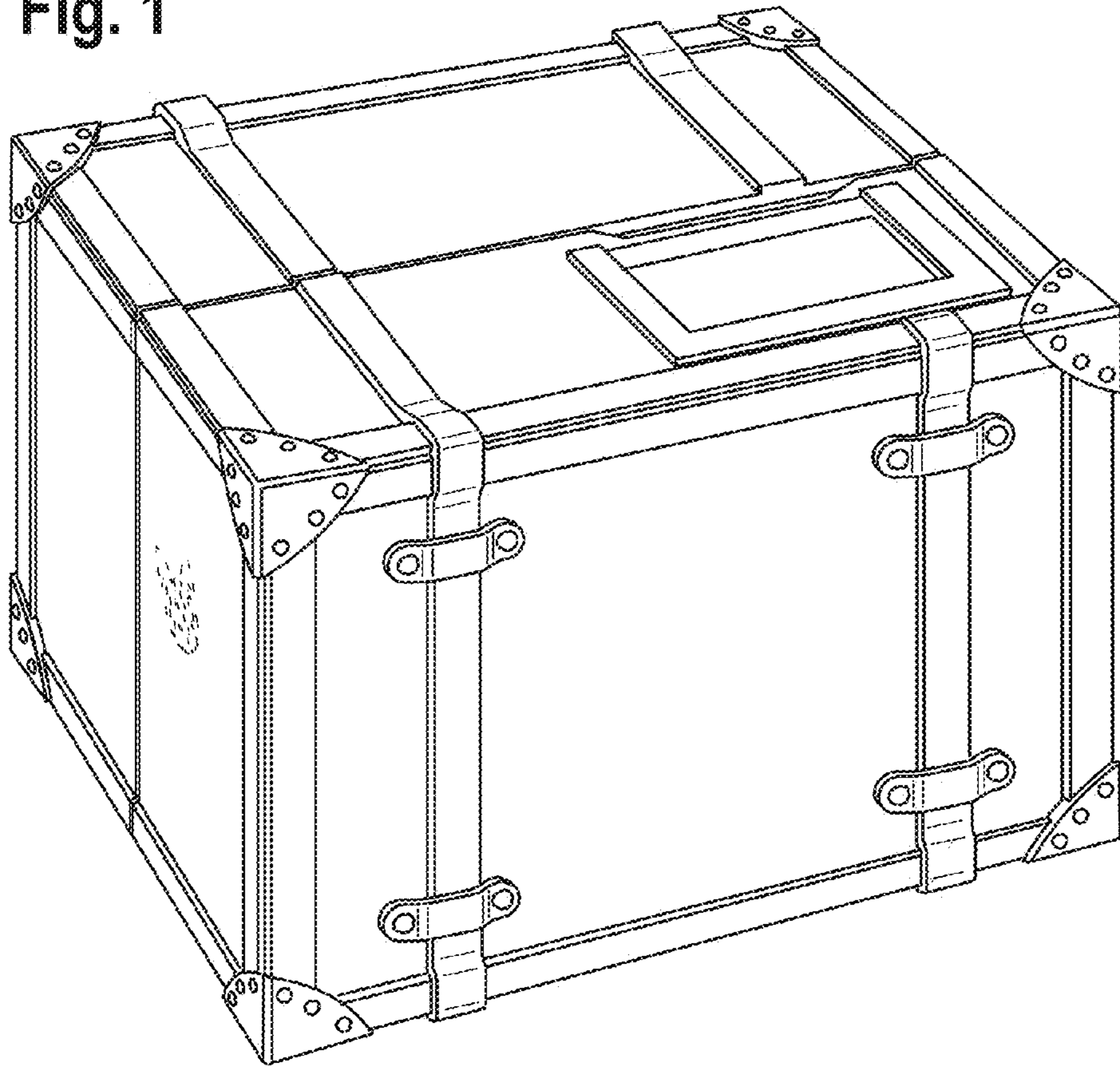


Fig. 2

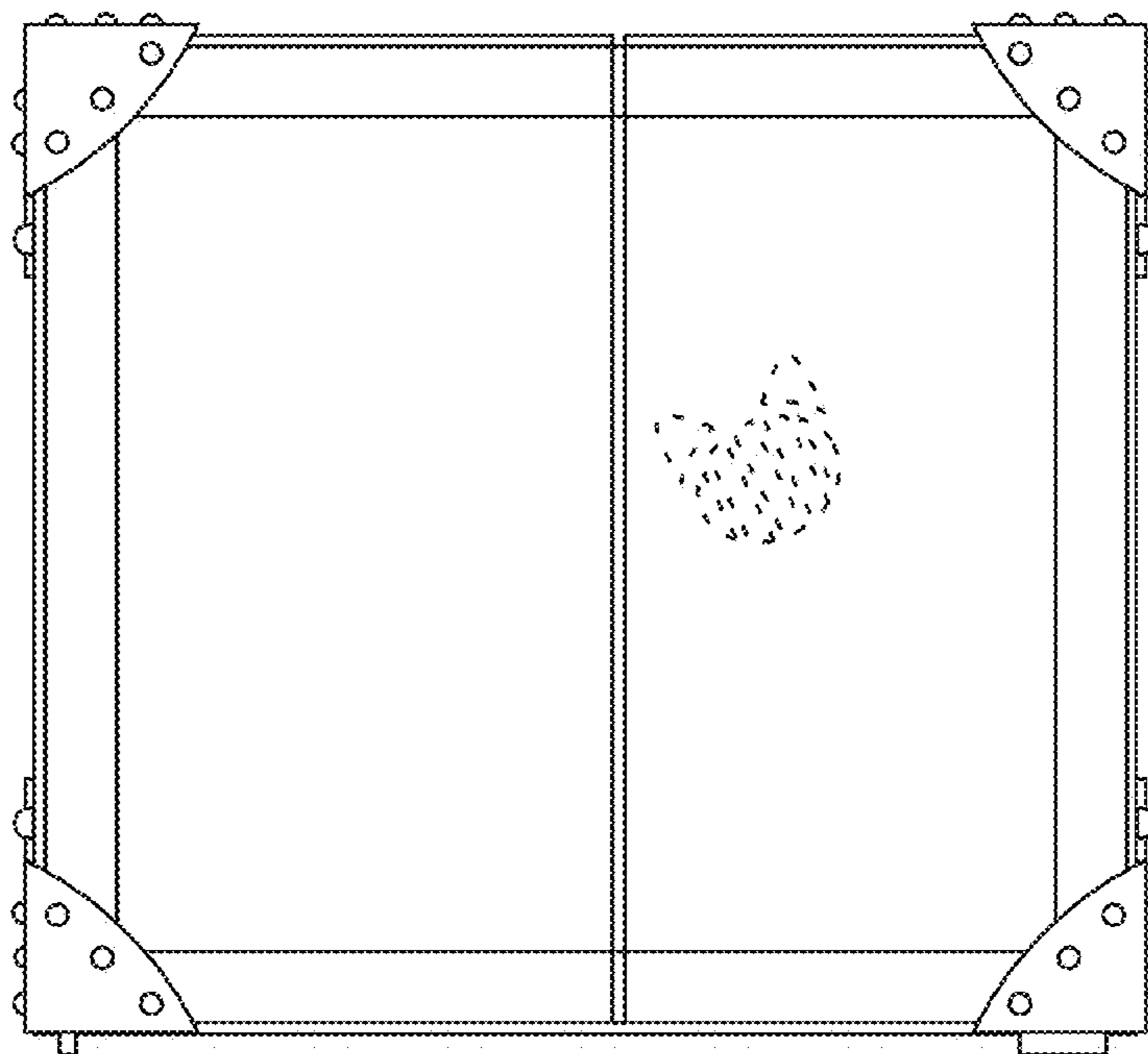


Fig. 3

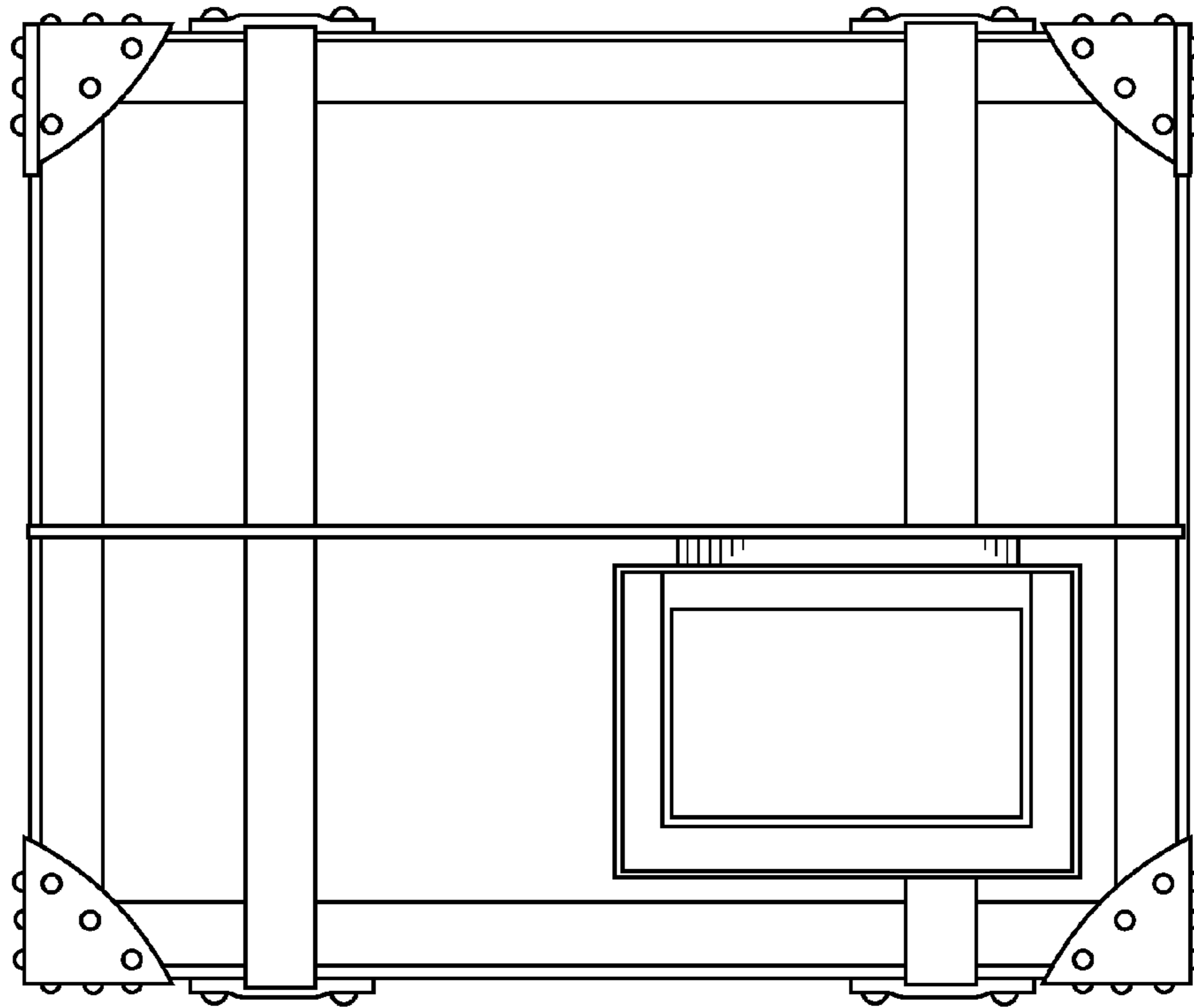


Fig. 4

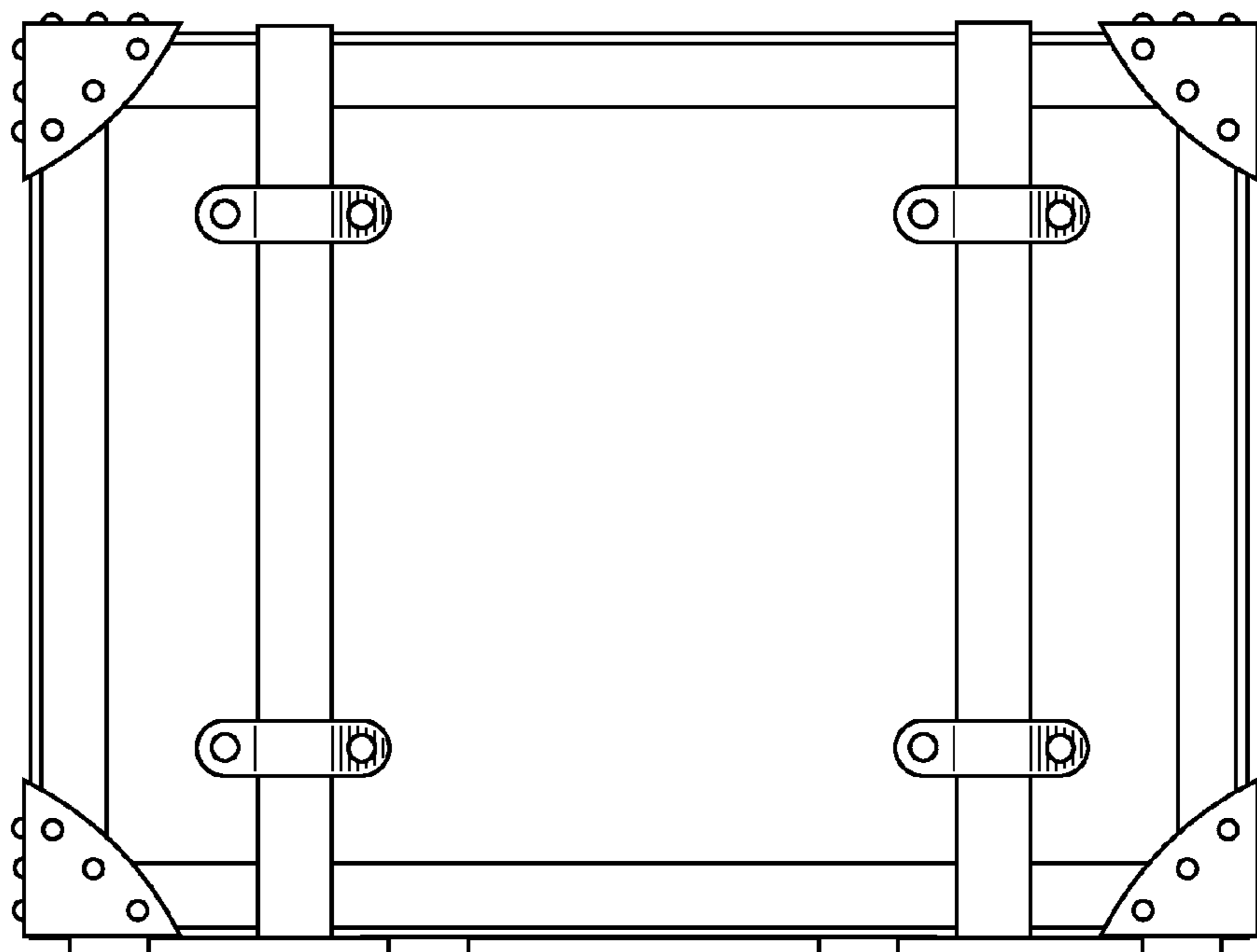


Fig. 5

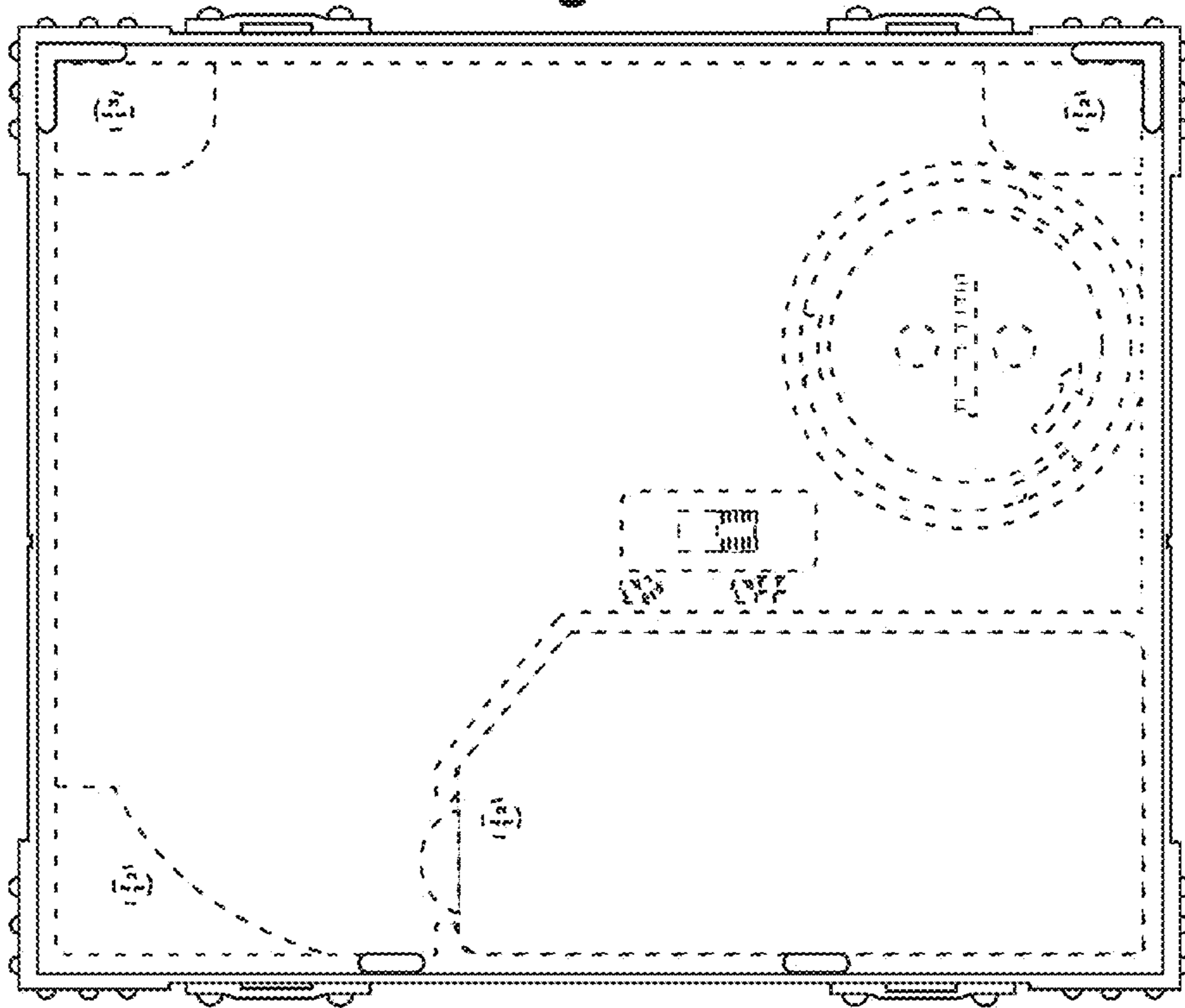


Fig. 6

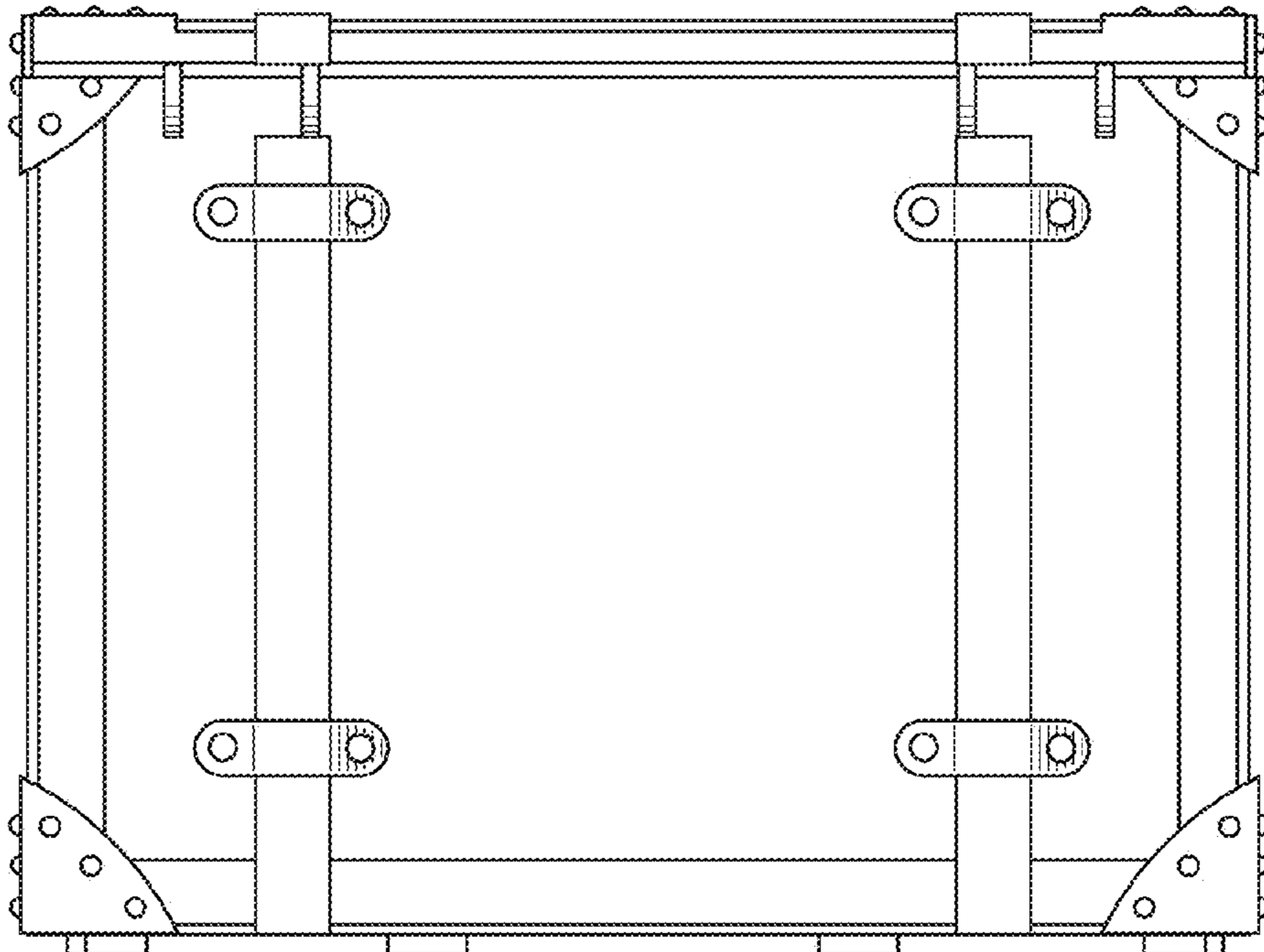


Fig. 7

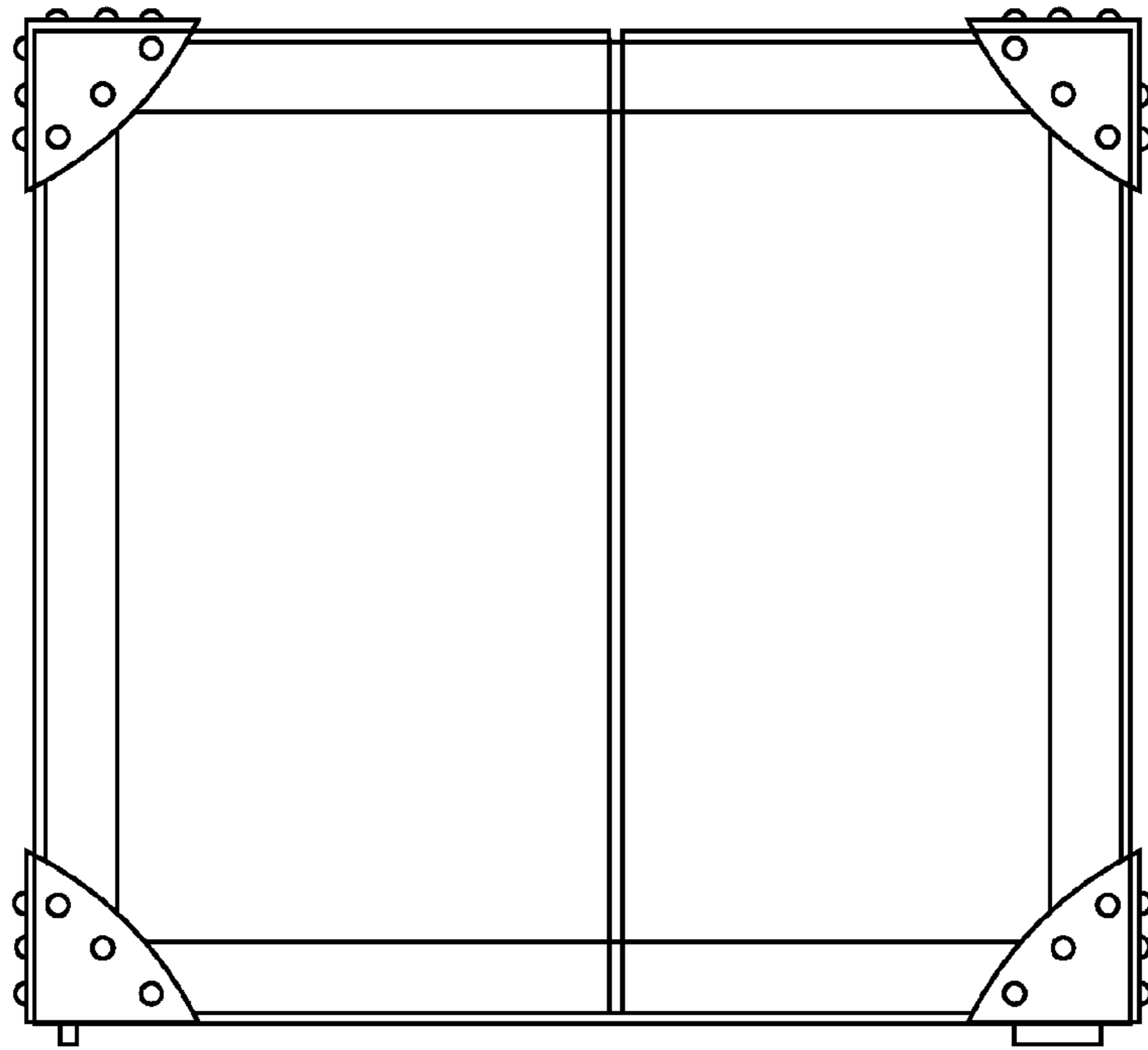


Fig. 8

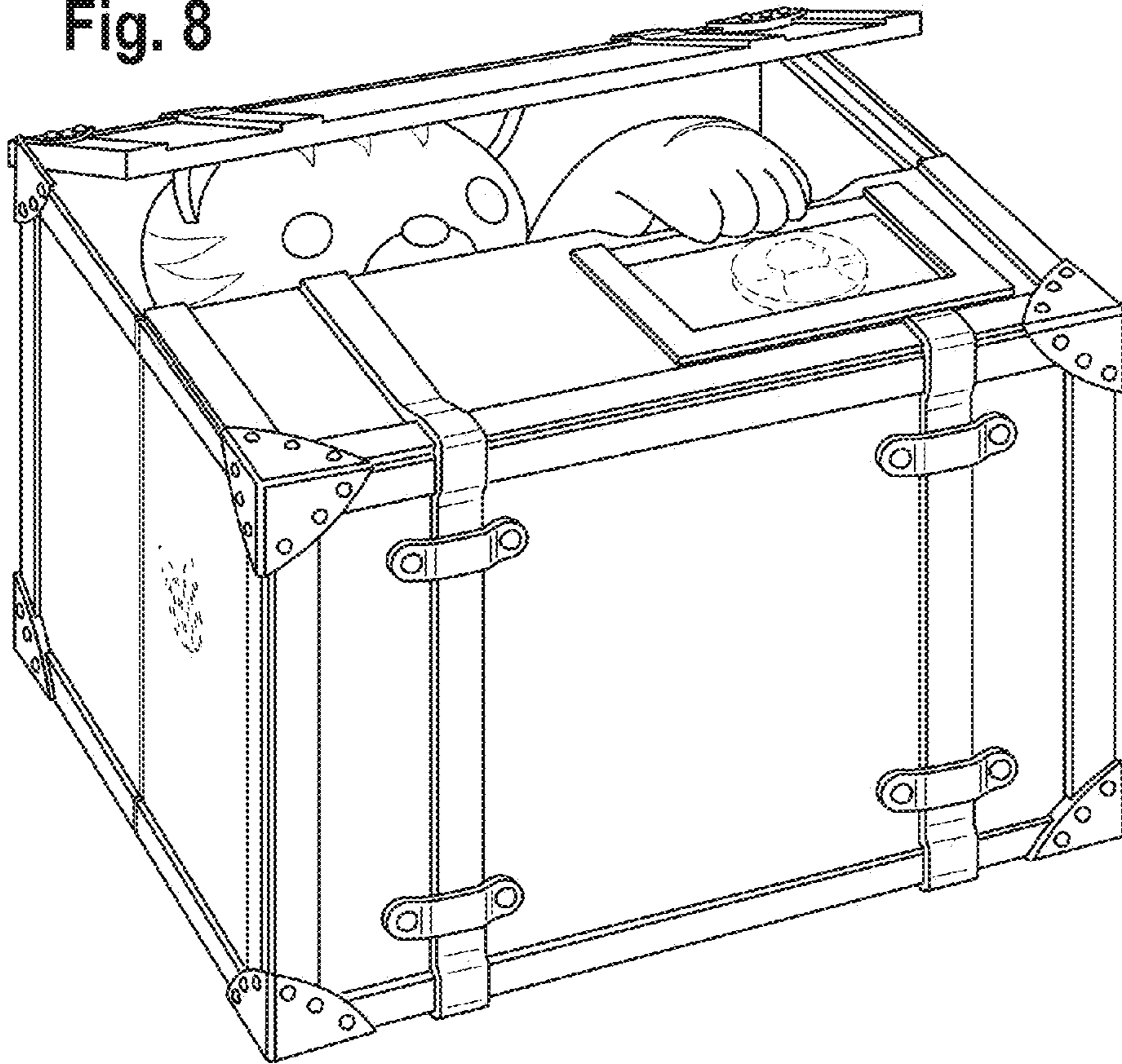


Fig. 9

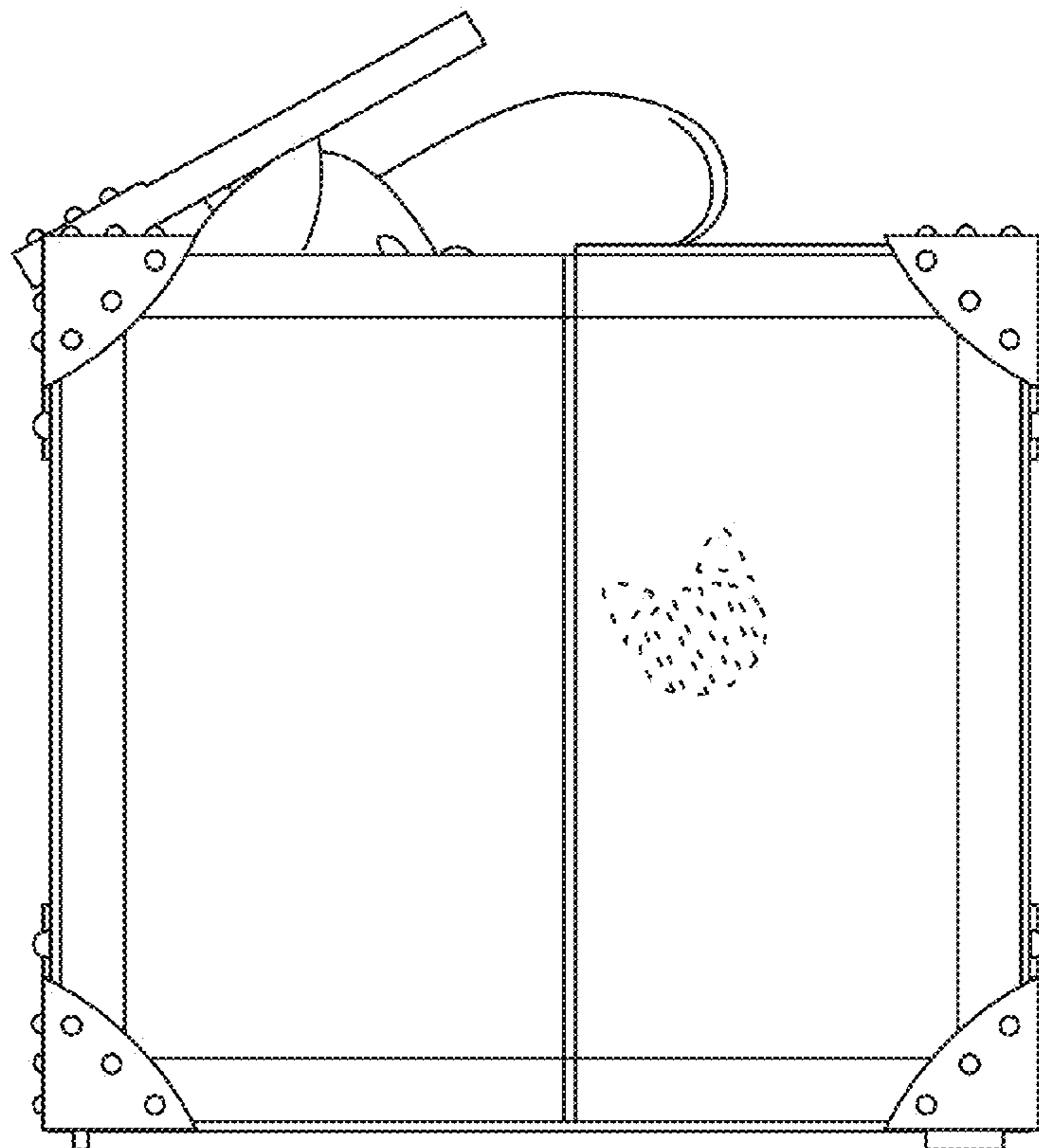


Fig. 10

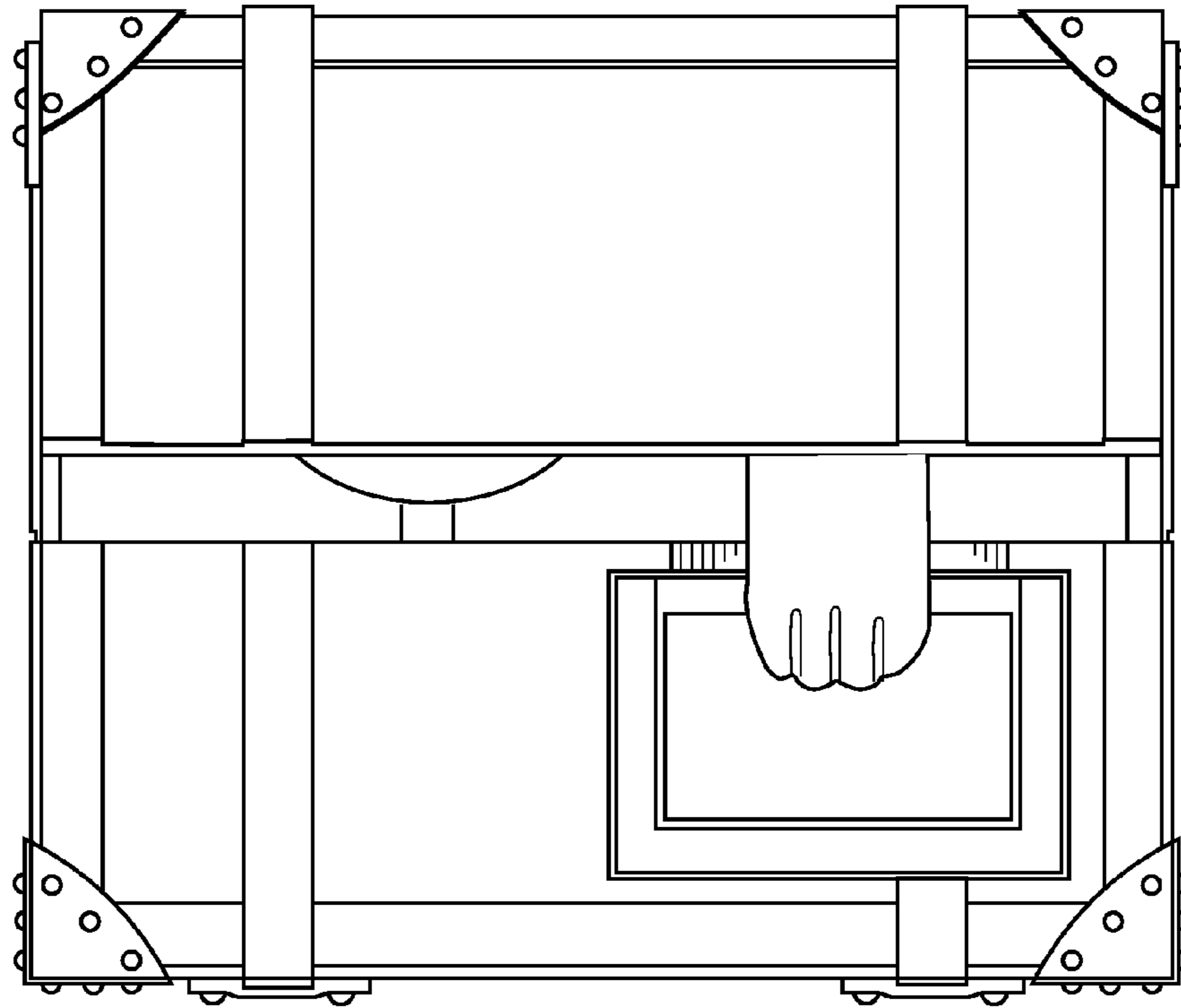


Fig. 11

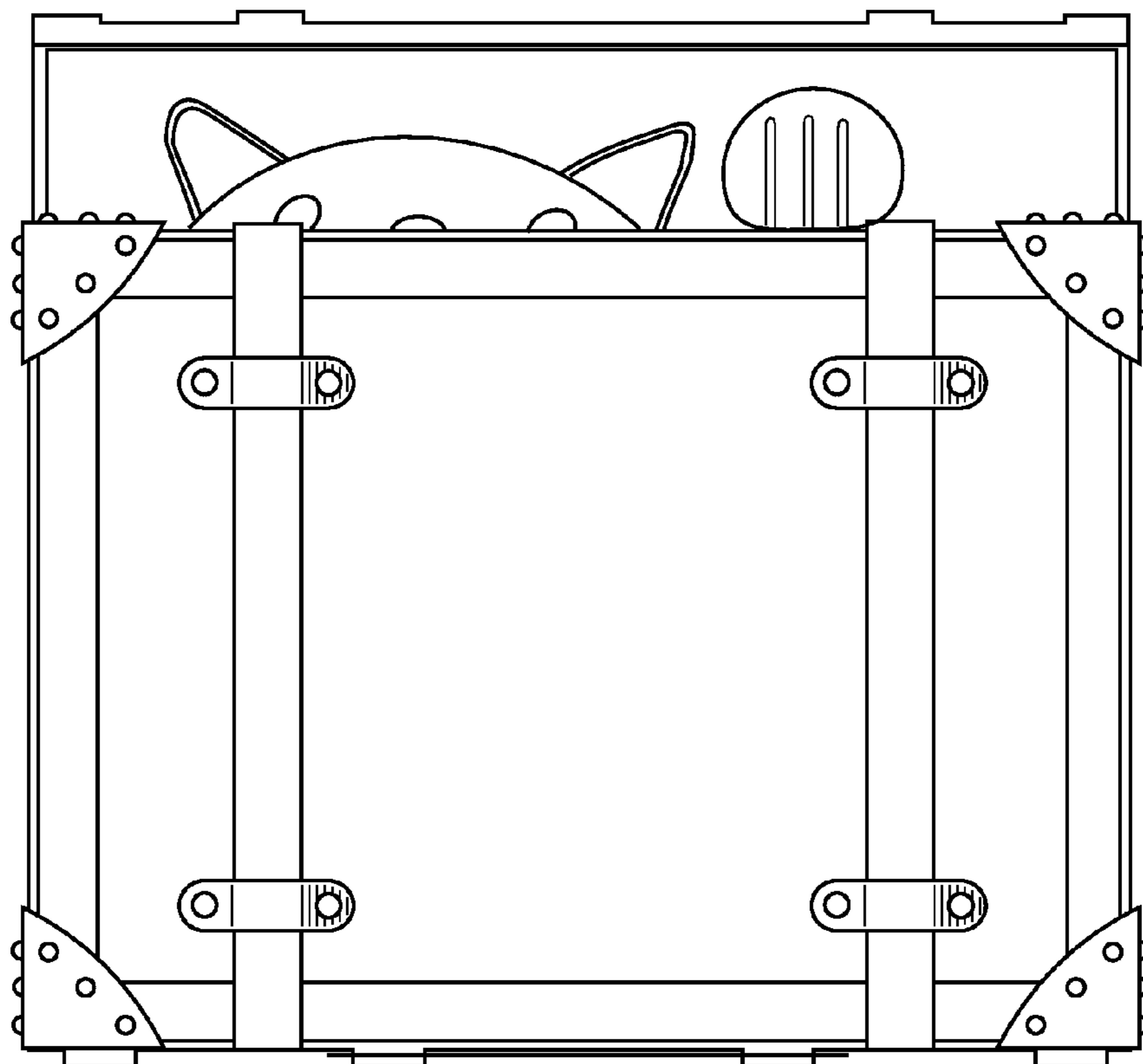


Fig. 12

