



US00D708413S

(12) **United States Design Patent**
Wang

(10) **Patent No.:** **US D708,413 S**

(45) **Date of Patent:** **** Jul. 1, 2014**

(54) **HEIGHT ADJUSTING UNIT FOR GOLF CARTS**

(76) Inventor: **Jonathan Wang**, Fremont, CA (US)

(**) Term: **14 Years**

(21) Appl. No.: **29/419,501**

(22) Filed: **Apr. 27, 2012**

Related U.S. Application Data

(63) Continuation-in-part of application No. 29/359,759, filed on Apr. 15, 2010, now abandoned.

(51) **LOC (10) Cl.** **12-05**

(52) **U.S. Cl.**
USPC **D34/35**

(58) **Field of Classification Search**
USPC D34/27, 15; D15/18; 280/762, 43.12, 280/43.23, 43.17, 47.371; 74/480, 484 R
See application file for complete search history.

(56) **References Cited**

U.S. PATENT DOCUMENTS

D347,719 S * 6/1994 Machen et al. D34/15
D349,282 S * 8/1994 Lunka et al. D14/370

D350,426 S * 9/1994 Liao et al. D34/15
D357,785 S * 4/1995 Wang D34/27
D446,438 S * 8/2001 Ciaramitaro et al. D8/301
D558,423 S * 12/2007 Roiser D34/15
D576,774 S * 9/2008 Boller D34/27
2010/0181357 A1* 7/2010 Christianson 224/497

* cited by examiner

Primary Examiner — Cynthia Ramirez

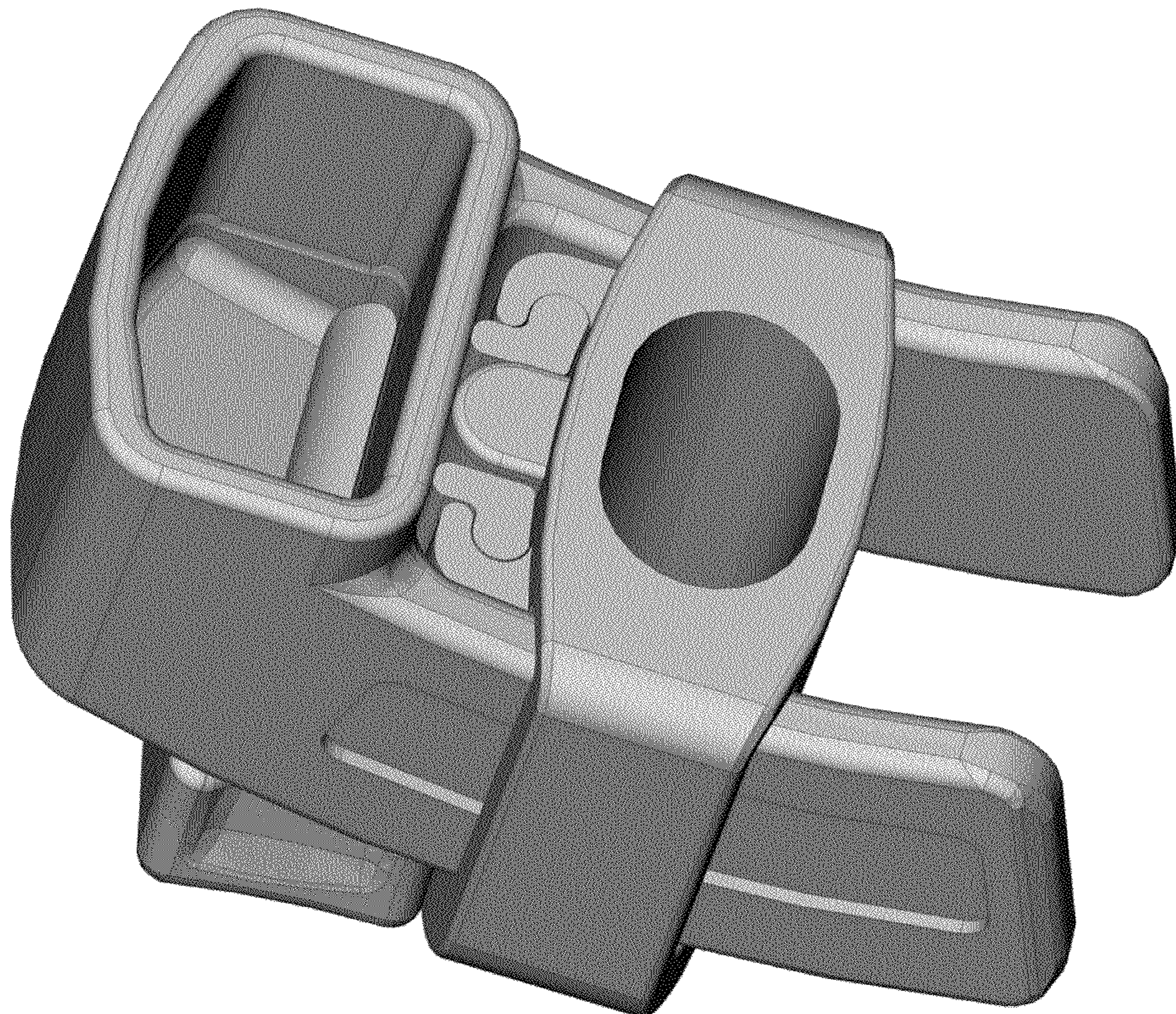
(57) **CLAIM**

The ornamental design for a height adjusting unit for golf carts, as shown and described.

DESCRIPTION

FIG. 1 is a first perspective view of the height adjusting unit for golf carts showing my new design;
FIG. 2 is a second perspective view thereof;
FIG. 3 is a third perspective view thereof;
FIG. 4 is a fourth perspective view thereof;
FIG. 5 is a top plan view thereof;
FIG. 6 is a bottom plan view thereof;
FIG. 7 is a front elevational view thereof;
FIG. 8 is a back elevational view thereof;
FIG. 9 is a left side elevational view thereof; and,
FIG. 10 is a right side elevational view thereof.

1 Claim, 10 Drawing Sheets



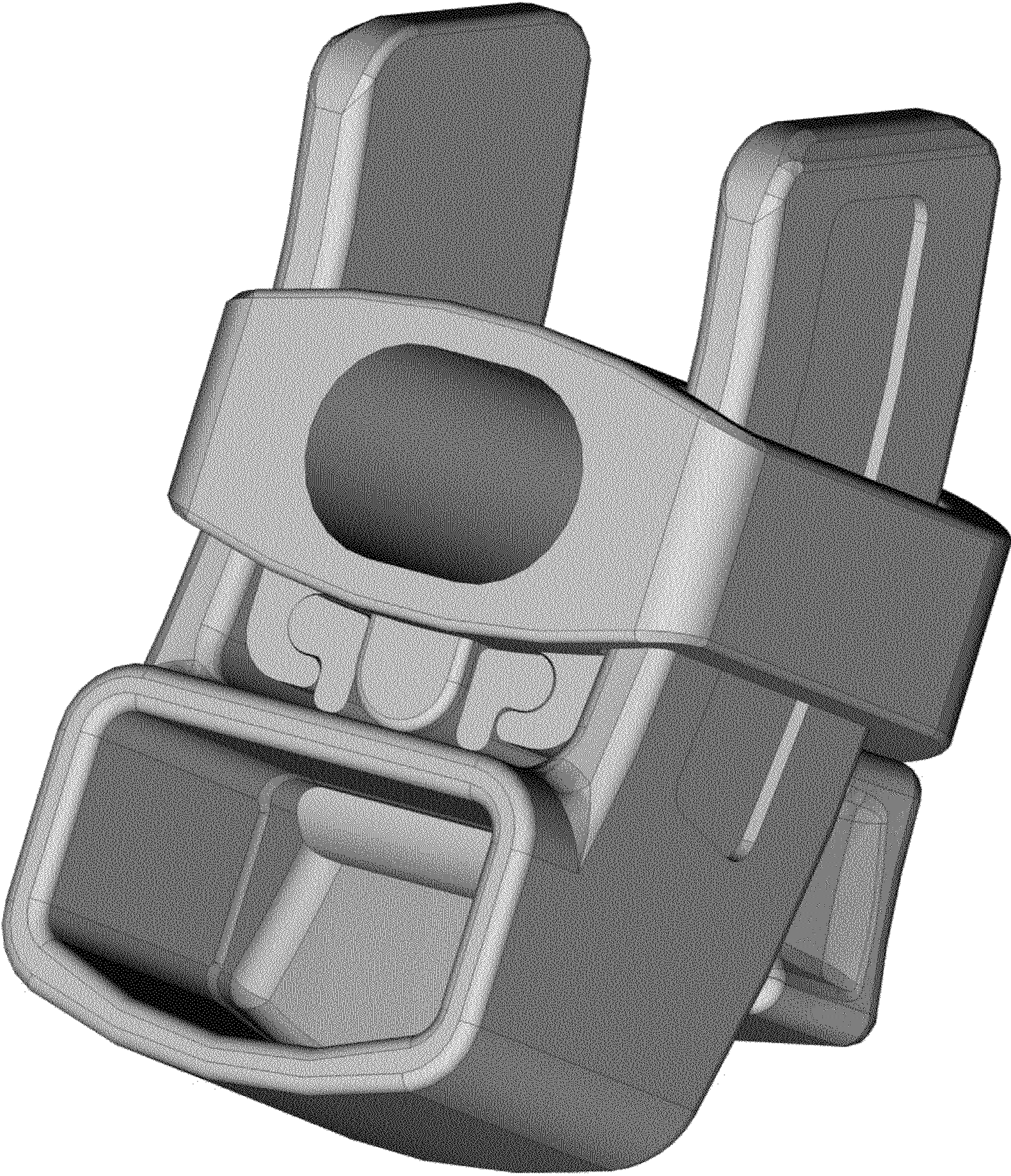


Fig. 1

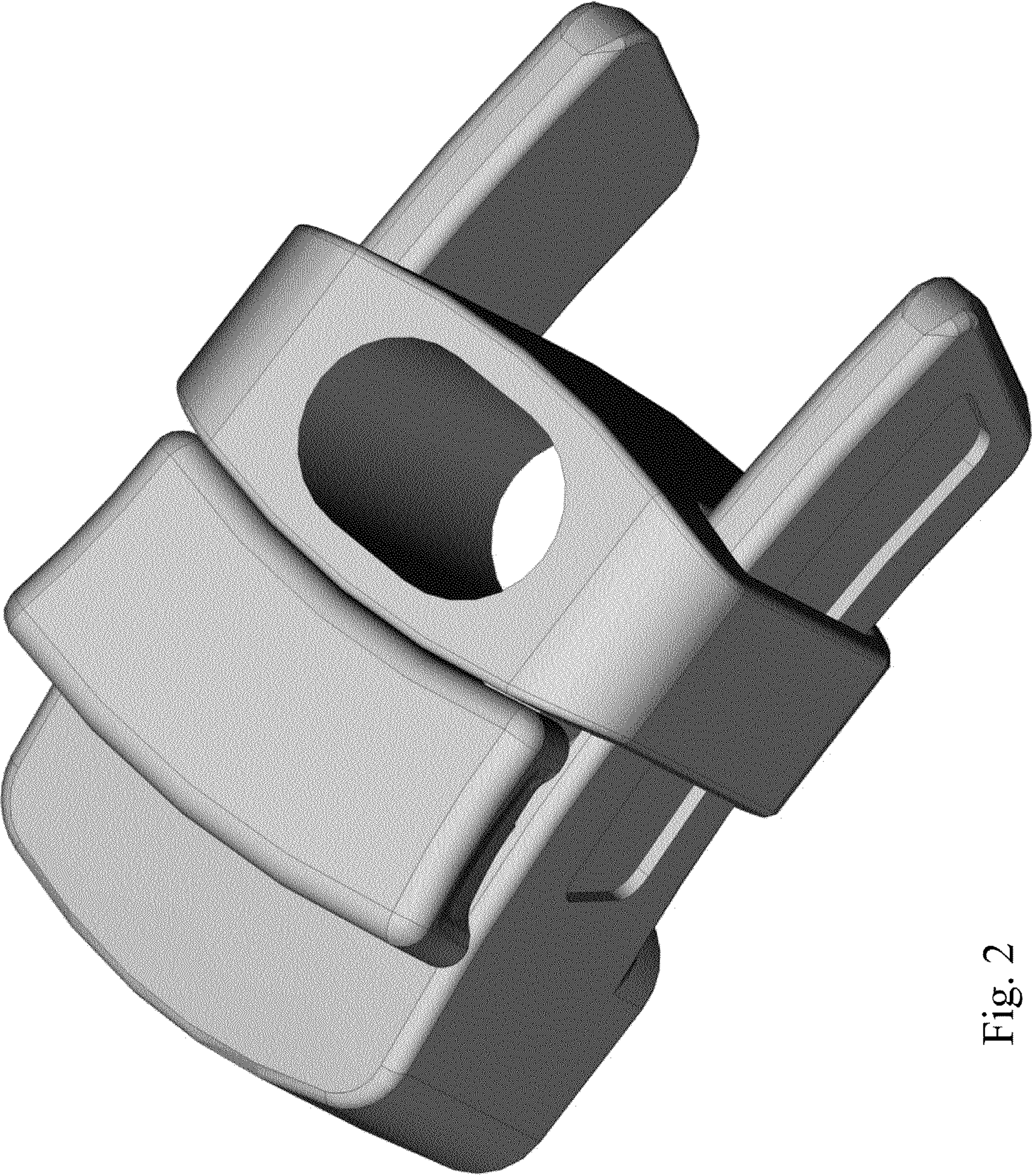


Fig. 2

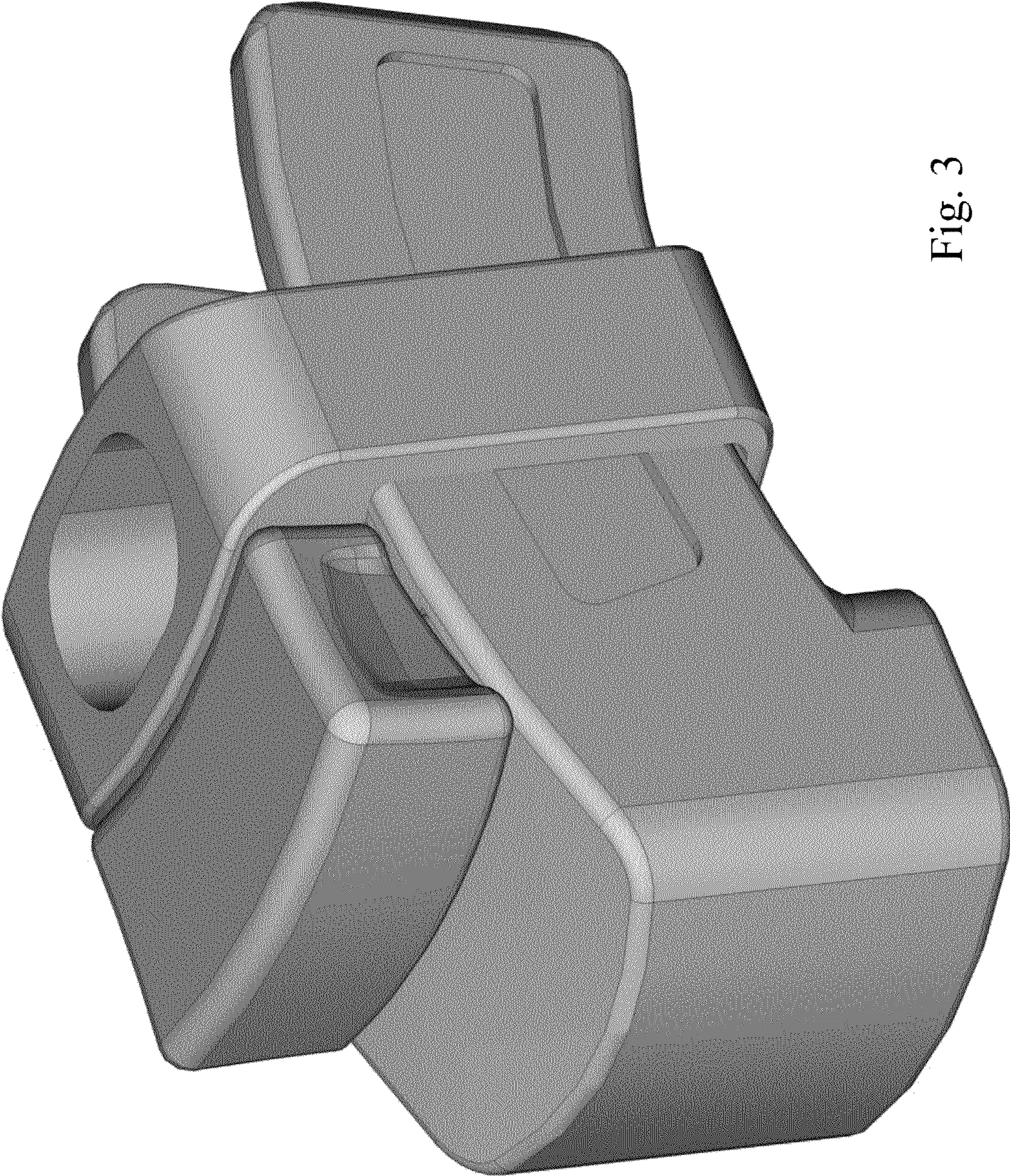


Fig. 3

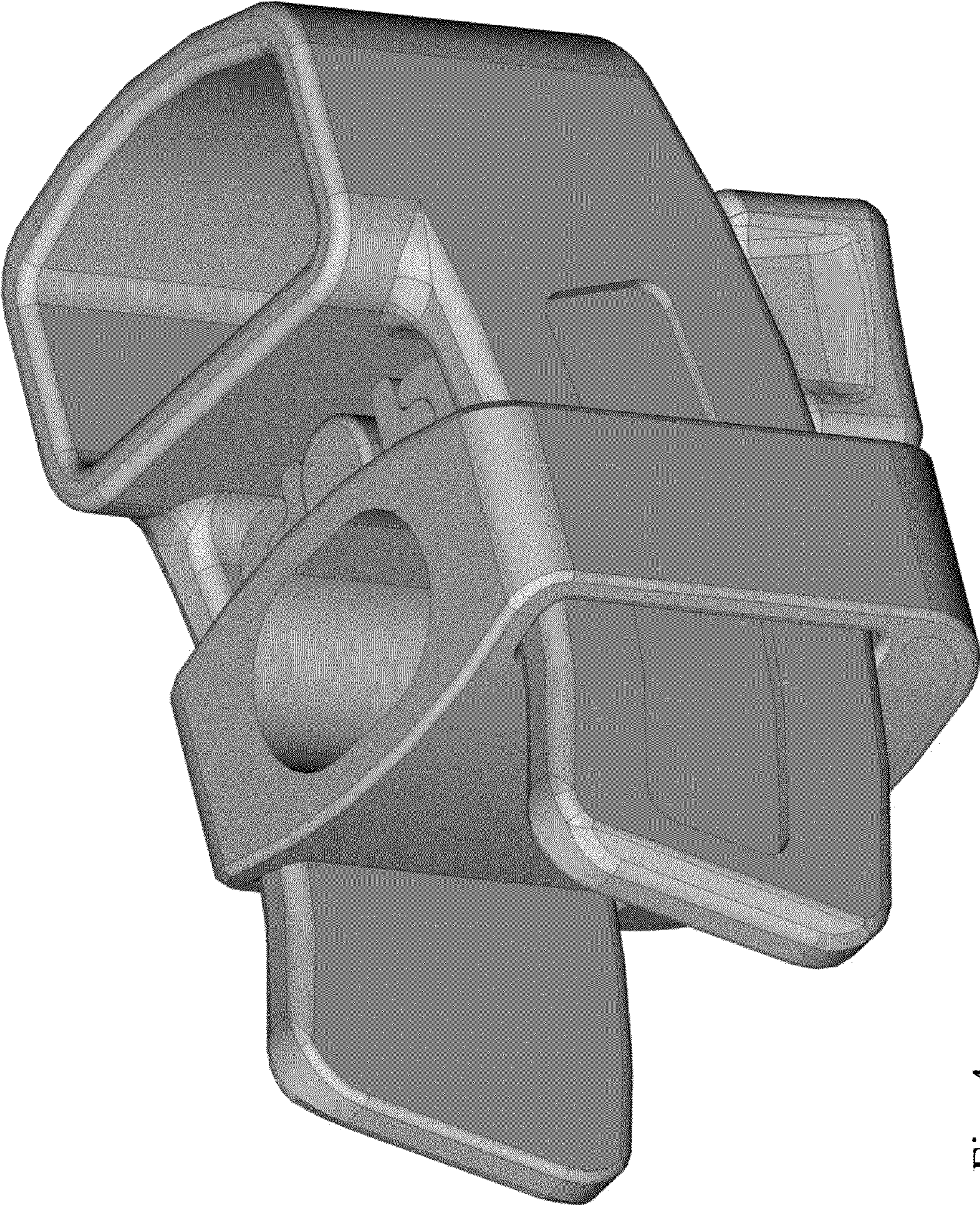


Fig. 4

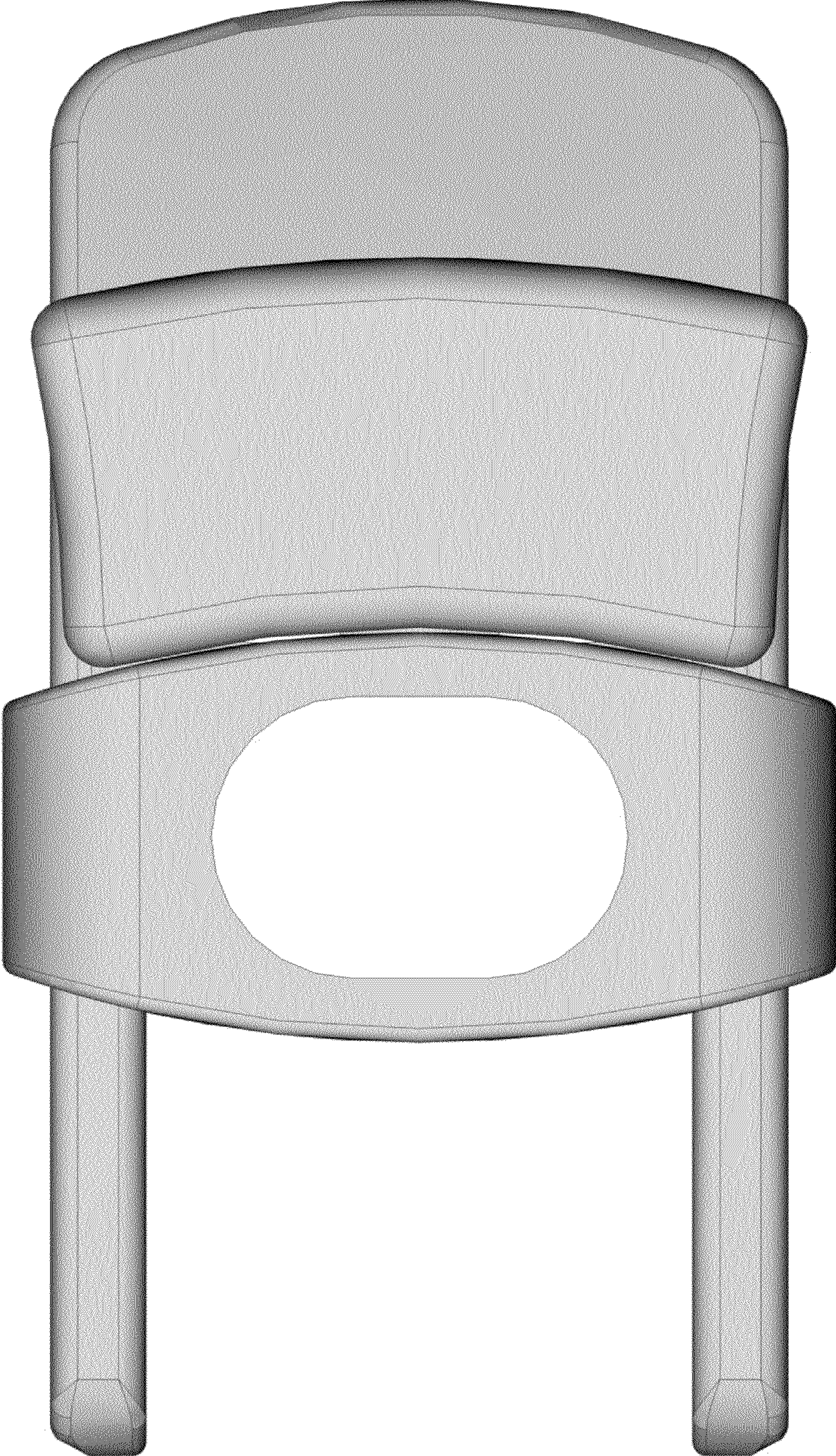


Fig. 5

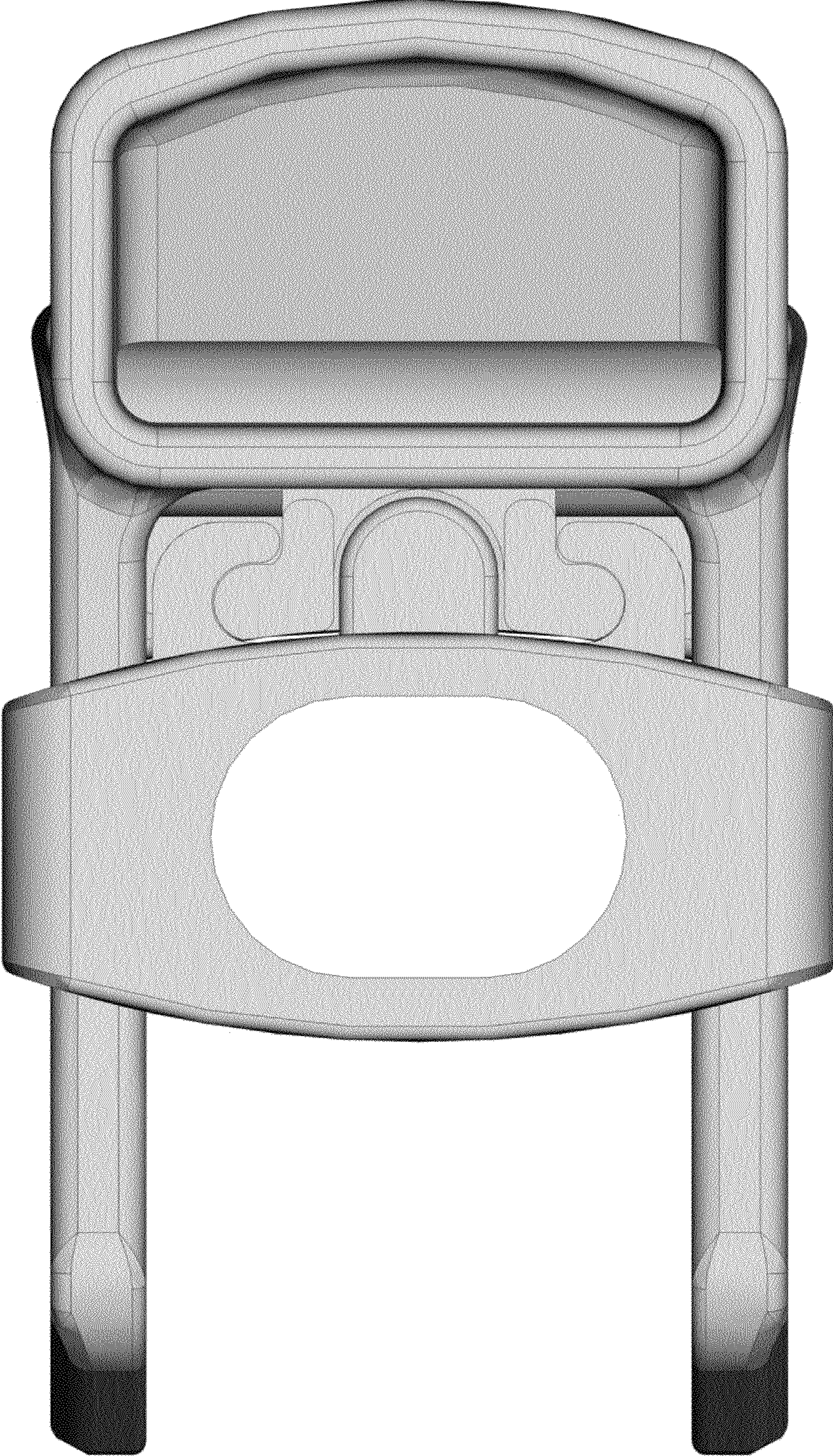


Fig. 6



Fig. 7



Fig. 8

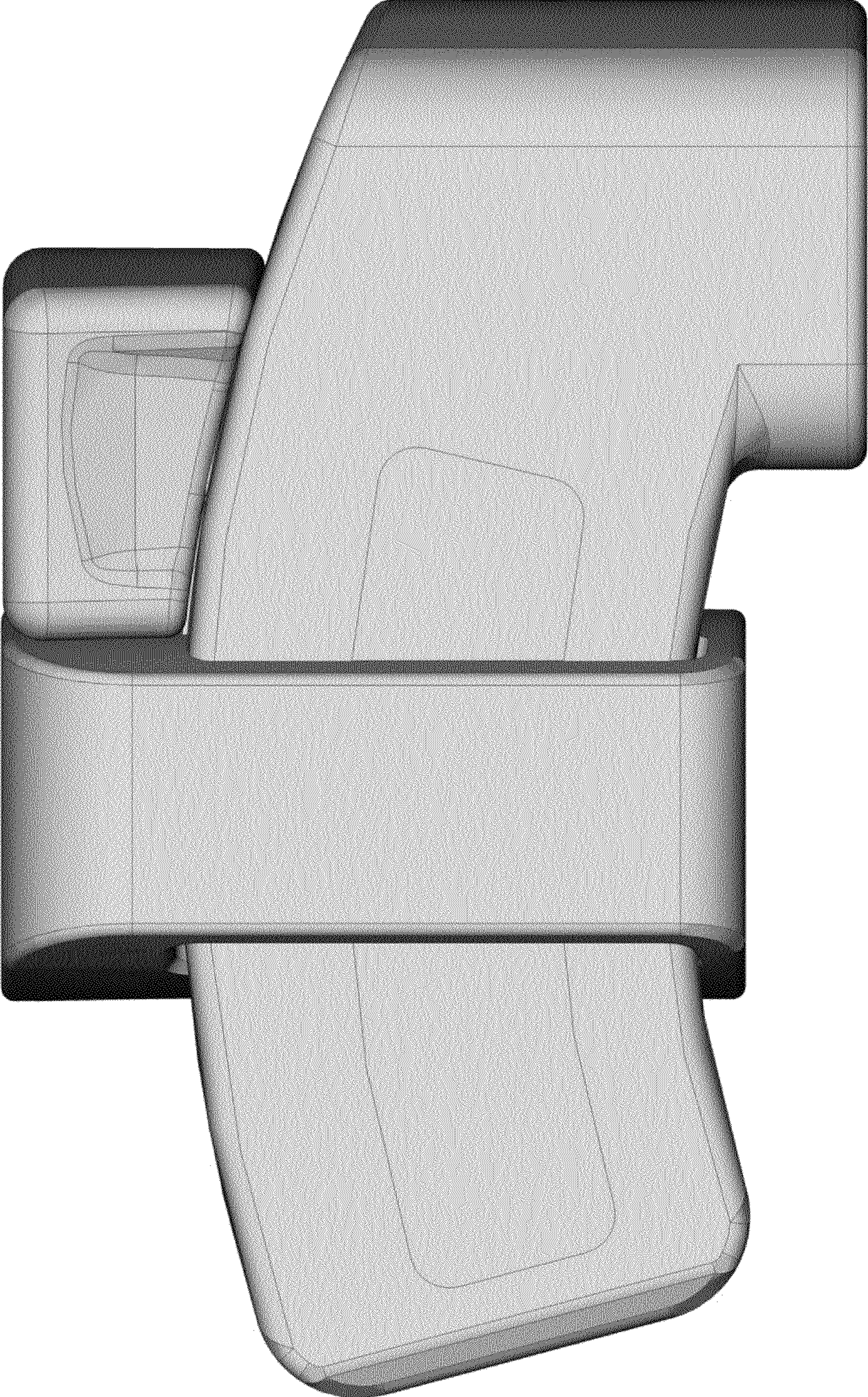


Fig. 9

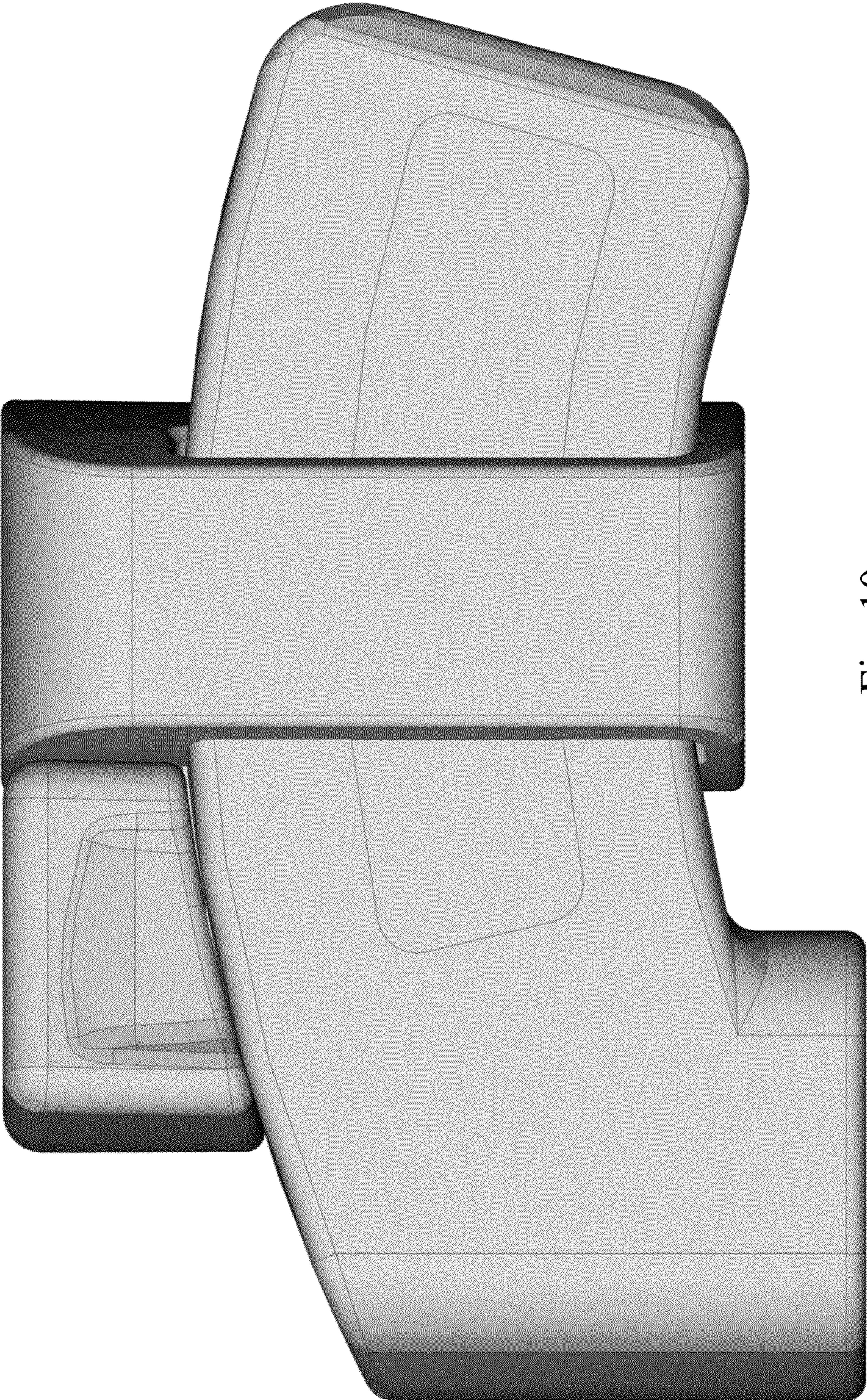


Fig. 10