



US00D708412S

(12) **United States Design Patent**
Bruns

(10) **Patent No.:** **US D708,412 S**
(45) **Date of Patent:** **** Jul. 1, 2014**

(54) **SUPPORT ARM FOR A WHEEL CHAIR LIFT**

FOREIGN PATENT DOCUMENTS

(71) Applicant: **AMF-Bruns GmbH & Co. KG**, Apen (DE)

DE	83 28 858	U1	1/1984
DE	33 32 974	C1	4/1985
DE	34 38 079	A1	10/1985
DE	203 09 868	U1	11/2004
DE	699 33 332	T2	5/2007
DE	699 36 644	T2	4/2008
EP	1 369 299	A1	12/2003
GB	2 480 489	A	11/2011
GB	2501669	A *	6/2013
JP	2003-341408	A	12/2003

(72) Inventor: **Gerit Bruns**, Bad Zwischenahn (DE)

(73) Assignee: **AMF-Bruns GmbH & Co. KG**, Apen (DE)

(**) Term: **14 Years**

OTHER PUBLICATIONS

(21) Appl. No.: **29/435,354**

Dr. Alf Harnisch; Search Report issued in German Application No. 20 2012 002 834.4; Nov. 7, 2012; 5 pages; German Patent Office.
Dr. Alf Harnisch; Search Report issued in German Application No. 20 2012 002 833.2; Nov. 7, 2012; 5 pages; German Patent Office.

(22) Filed: **Oct. 23, 2012**

(51) **LOC (10) Cl.** **12-05**

(52) **U.S. Cl.**
USPC **D34/33**

* cited by examiner

(58) **Field of Classification Search**
CPC A61G 3/06; B66F 9/06; B66F 9/07554;
B66F 9/07545
USPC D34/28, 33, 35; 414/546, 921, 539,
414/540, 545, 556, 558; 187/222
See application file for complete search history.

Primary Examiner — Cynthia Ramirez
(74) *Attorney, Agent, or Firm* — Wood, Herron & Evans, LLP

(57) **CLAIM**
The ornamental design for a support arm for a wheel chair lift, as shown and described.

(56) **References Cited**

DESCRIPTION

U.S. PATENT DOCUMENTS

2,899,089	A	8/1959	Ajero	
4,534,450	A	8/1985	Savaria	
4,604,022	A	8/1986	Bourgraf	
5,261,779	A	11/1993	Goodrich	
6,086,314	A *	7/2000	Savaria	414/546
6,379,102	B1	4/2002	Kameda	
6,464,447	B2	10/2002	Dupuy et al.	
6,585,474	B1	7/2003	Kameda	
7,306,422	B2 *	12/2007	Dupuy et al.	414/546
7,413,395	B2 *	8/2008	Goodrich	414/546
2004/0146386	A1 *	7/2004	Goodrich	414/546
2005/0238472	A1 *	10/2005	Sobota et al.	414/546
2006/0018743	A1 *	1/2006	Goodrich	414/546
2006/0104775	A1 *	5/2006	Kasten et al.	414/546
2007/0183880	A1 *	8/2007	Fisher et al.	414/546
2007/0224025	A1 *	9/2007	Ablabutyan et al.	414/546
2009/0010744	A1 *	1/2009	Sobota et al.	414/546
2013/0251488	A1 *	9/2013	Bruns	414/546

FIG. 1 is a front perspective view of a wheel chair lift incorporating a first embodiment of my new, original and ornamental design for a support arm for a wheel chair lift.
FIG. 2 is an enlarged front perspective view of the support arm for a wheel chair lift of FIG. 1.
FIG. 3 is a rear perspective view thereof.
FIG. 4 is a front view thereof.
FIG. 5 is a rear view thereof.
FIG. 6 is one side thereof, the side other side view being a mirror image of the one side view.
FIG. 7 is a top view thereof.
FIG. 8 is a bottom view thereof.
FIG. 9 is a front perspective view of a second embodiment of my new, original and ornamental design for a support arm for a wheel chair lift.

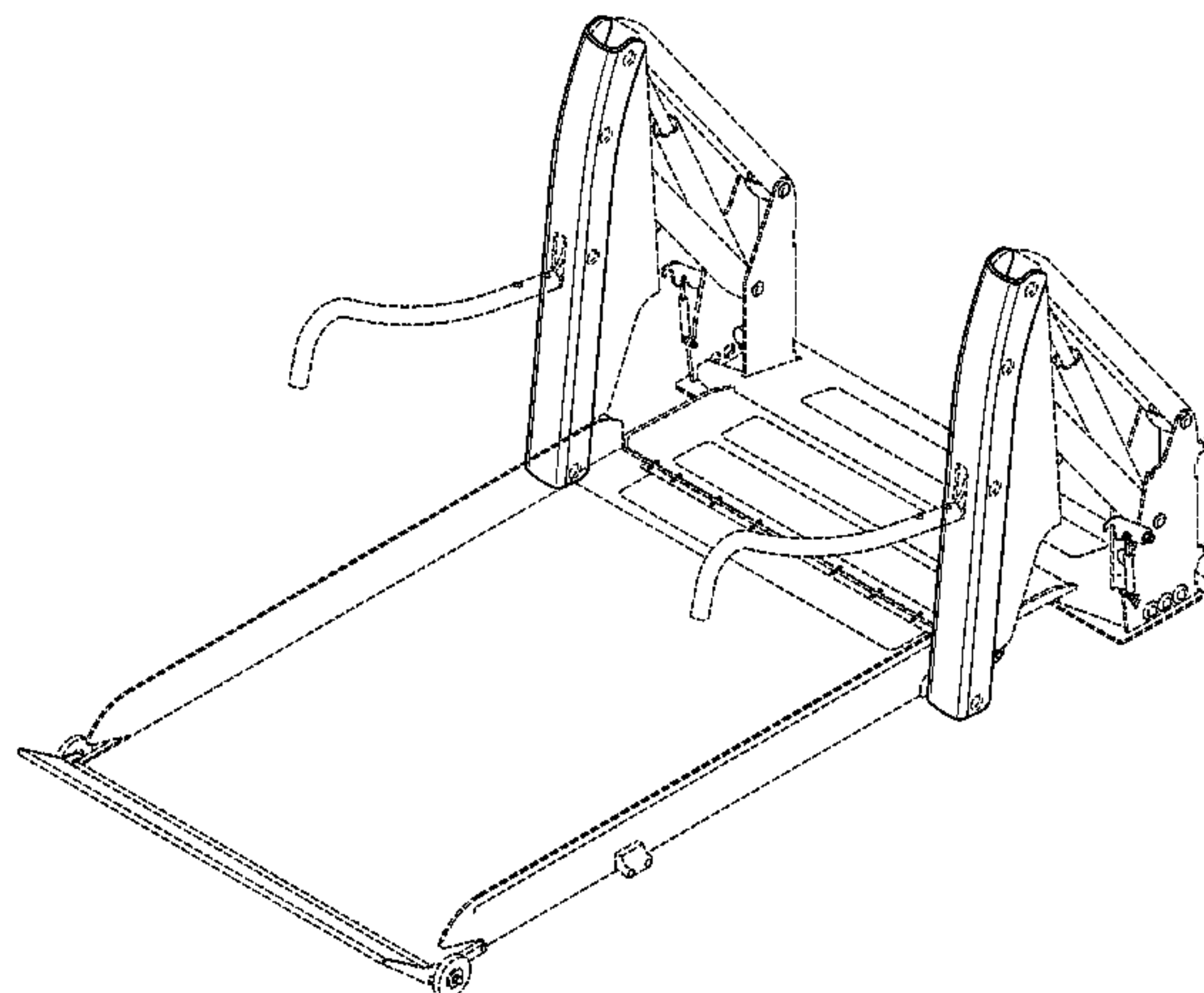


FIG. 10 is a rear perspective view thereof.
FIG. 11 is a front view thereof.
FIG. 12 is a rear view thereof.
FIG. 13 is one side thereof, the side other side view being a mirror image of the one side view.
FIG. 14 is a top view thereof.
FIG. 15 is a bottom view thereof.
FIG. 16 is a front perspective view of a third embodiment of my new, original and ornamental design for a support arm for a wheel chair lift.
FIG. 17 is a rear perspective view thereof.
FIG. 18 is a front view thereof.
FIG. 19 is a rear view thereof.
FIG. 20 is one side thereof, the side other side view being a mirror image of the one side view.
FIG. 21 is a top view thereof.
FIG. 22 is a bottom view thereof.
FIG. 23 is a front perspective view of a fourth embodiment of my new, original and ornamental design for a support arm for a wheel chair lift.
FIG. 24 is a rear perspective view thereof.
FIG. 25 is a front view thereof.
FIG. 26 is a rear view thereof.
FIG. 27 is one side thereof, the side other side view being a mirror image of the one side view.
FIG. 28 is a top view thereof.
FIG. 29 is a bottom view thereof.
FIG. 30 is a front perspective view of a fifth embodiment of my new, original and ornamental design for a support arm for a wheel chair lift.
FIG. 31 is a rear perspective view thereof.

FIG. 32 is a front view thereof.
FIG. 33 is a rear view thereof.
FIG. 34 is one side thereof, the side other side view being a mirror image of the one side view.
FIG. 35 is a top view thereof.
FIG. 36 is a bottom view thereof.
FIG. 37 is a front perspective view of a sixth embodiment of my new, original and ornamental design for a support arm for a wheel chair lift.
FIG. 38 is a rear perspective view thereof.
FIG. 39 is a front view thereof.
FIG. 40 is a rear view thereof.
FIG. 41 is one side thereof, the side other side view being a mirror image of the one side view.
FIG. 42 is a top view thereof.
FIG. 43 is a bottom view thereof.
FIG. 44 is a front perspective view of a seventh embodiment of my new, original and ornamental design for a support arm for a wheel chair lift.
FIG. 45 is a rear perspective view thereof.
FIG. 46 is a front view thereof.
FIG. 47 is a rear view thereof.
FIG. 48 is one side thereof, the side other side view being a mirror image of the one side view.
FIG. 49 is a top view thereof; and,
FIG. 50 is a bottom view thereof.
The broken lines in FIG. 1 illustrate environment and form no part of the claimed design. The broken lines in FIGS. 2-50 represent unclaimed portions and/or unclaimed boundaries of the design.

1 Claim, 22 Drawing Sheets

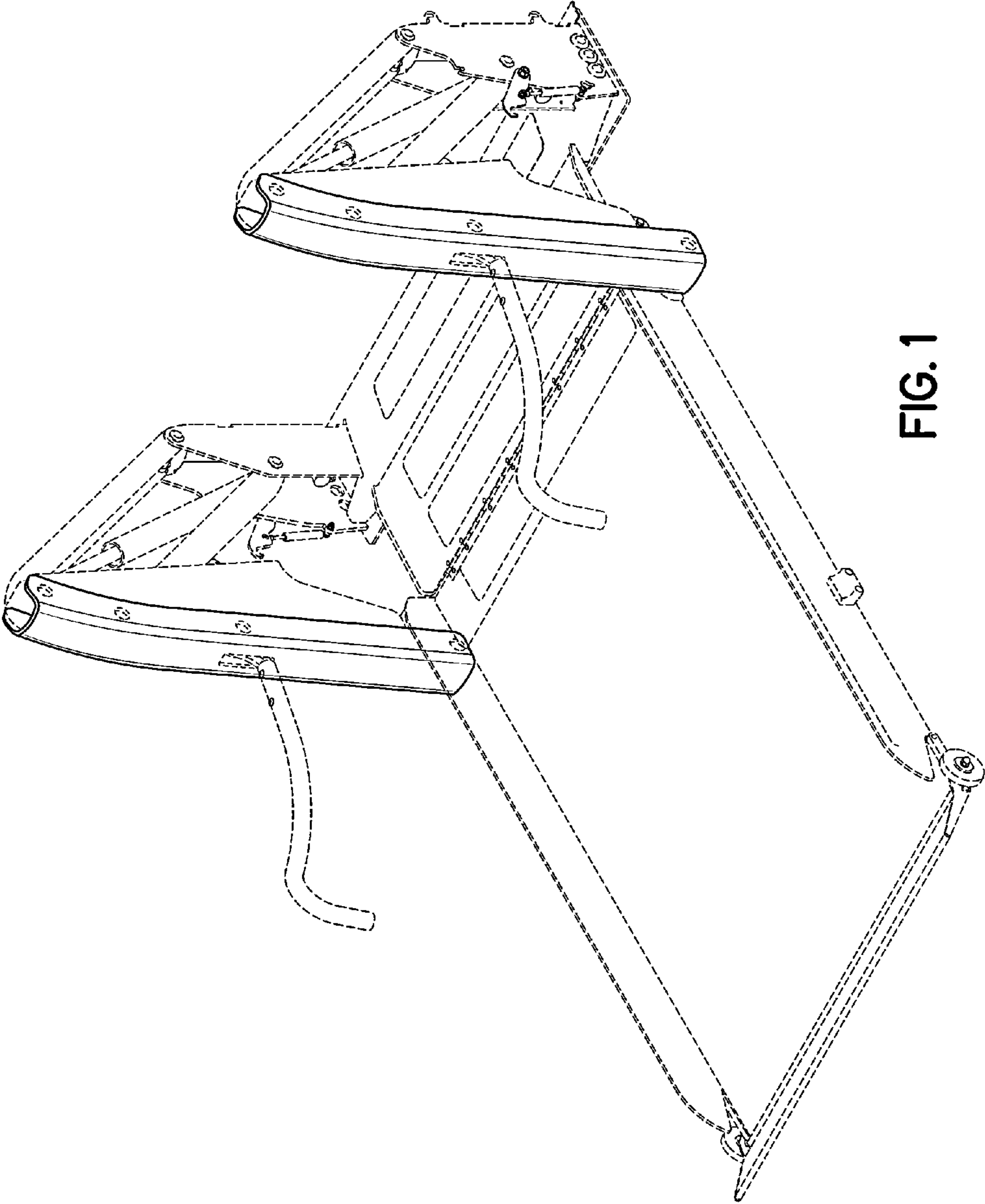


FIG. 1

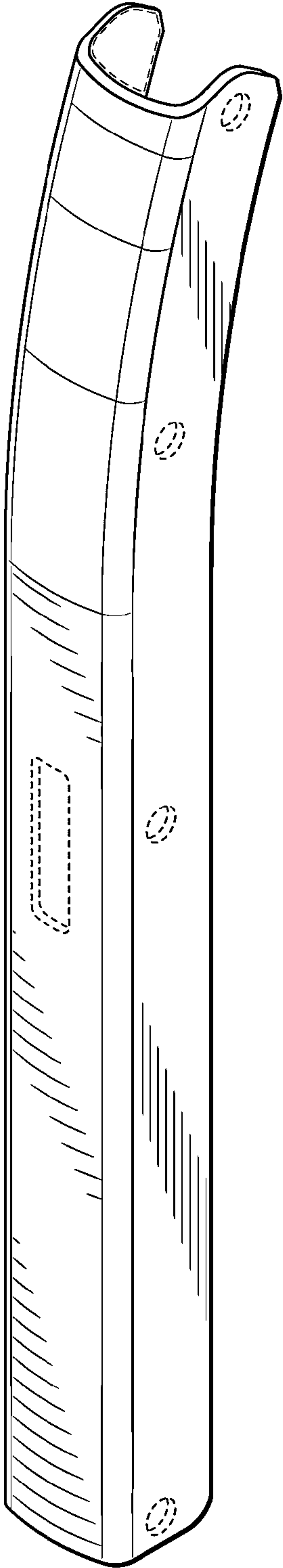


FIG. 2

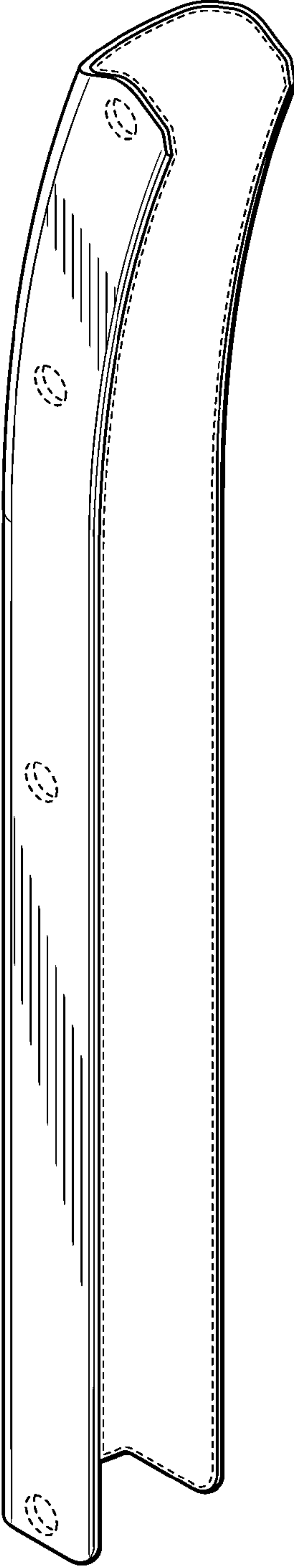


FIG. 3

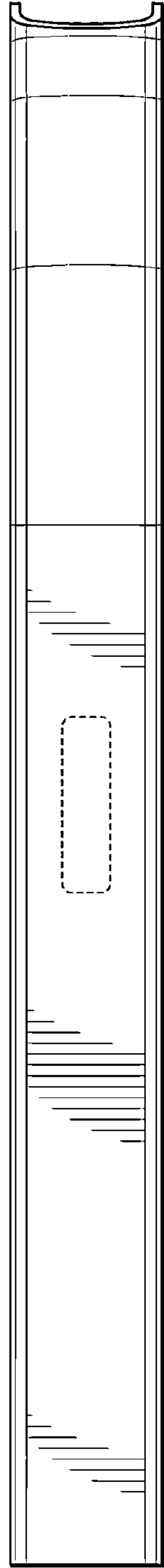


FIG. 4

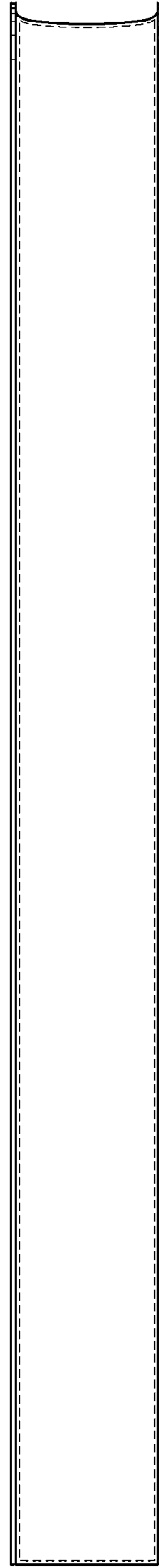


FIG. 5

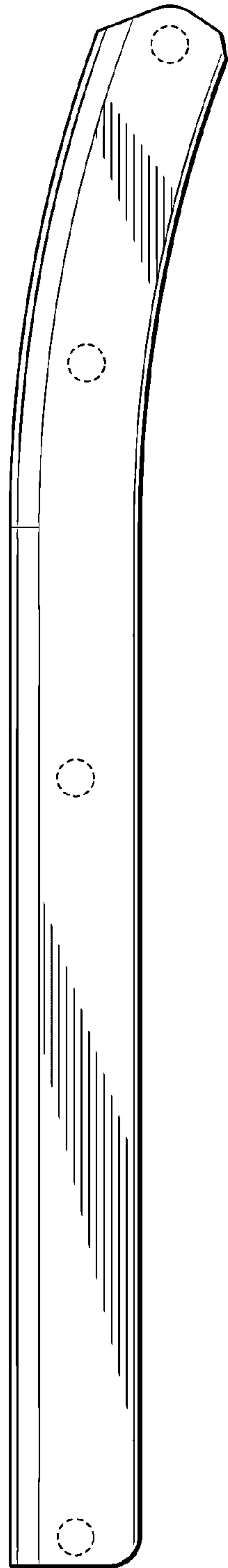


FIG. 6

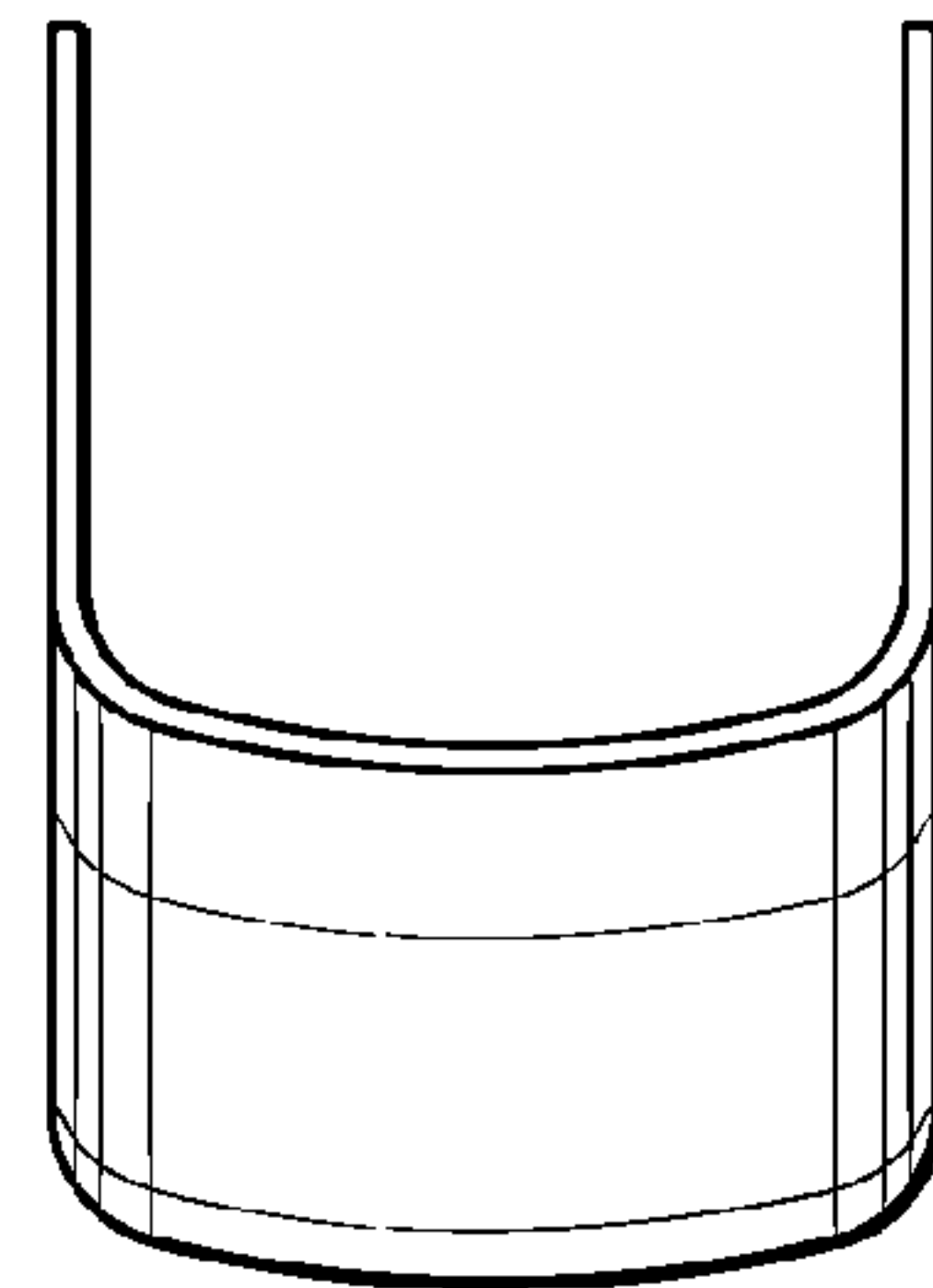


FIG. 7

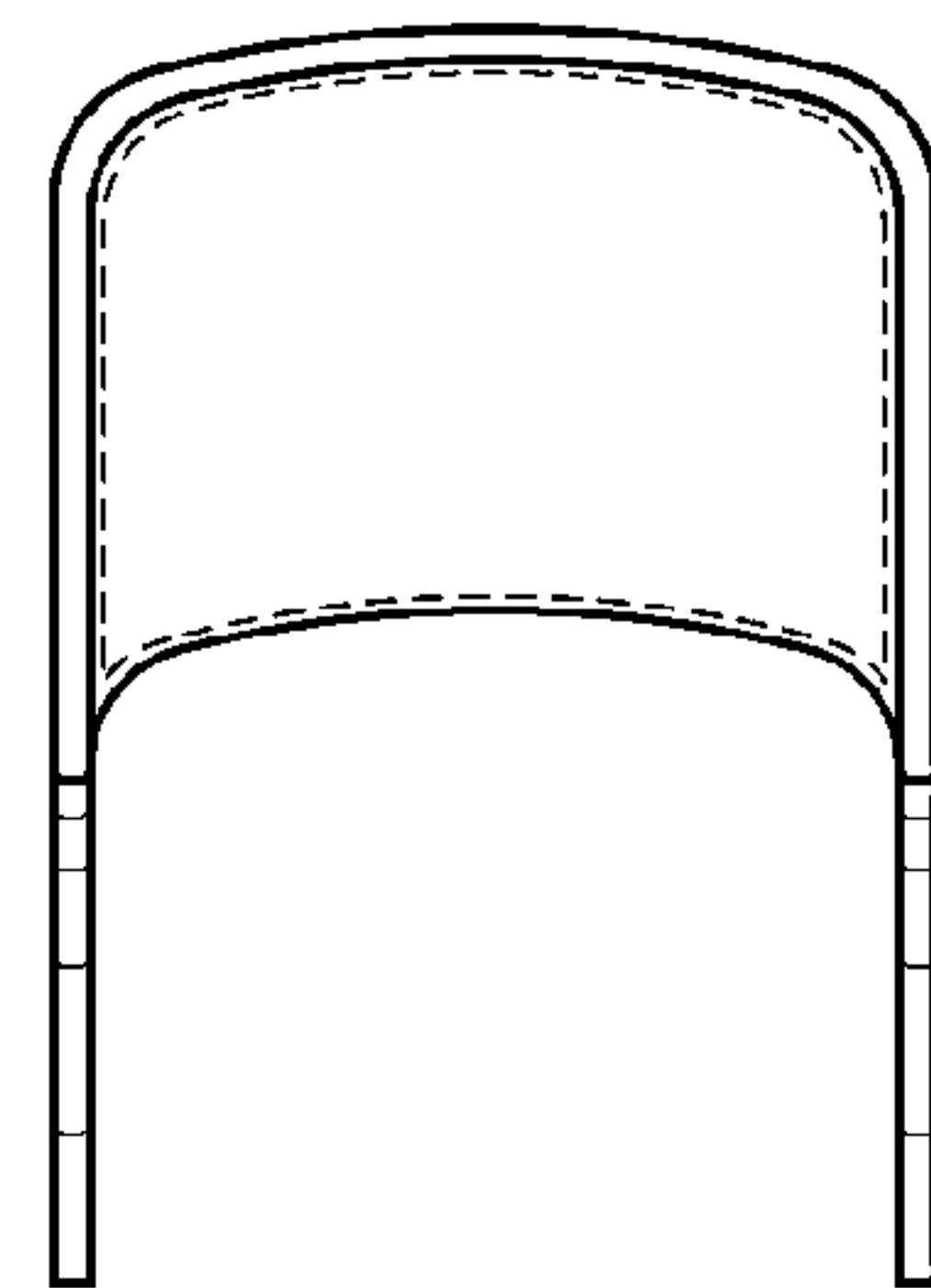


FIG. 8

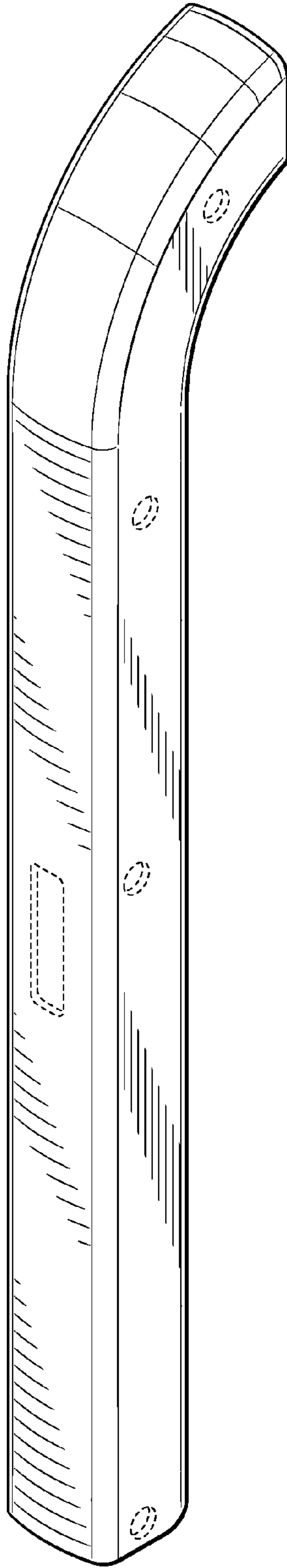


FIG. 9

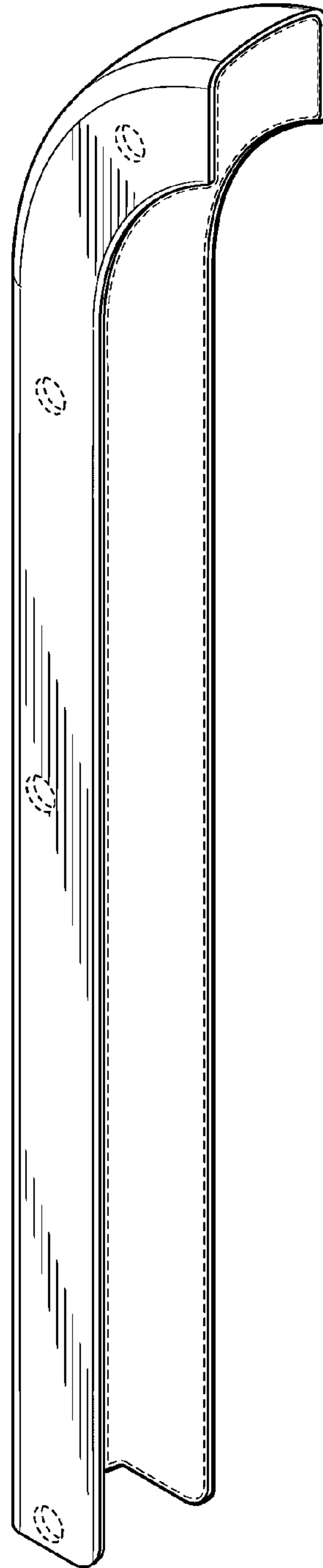


FIG. 10

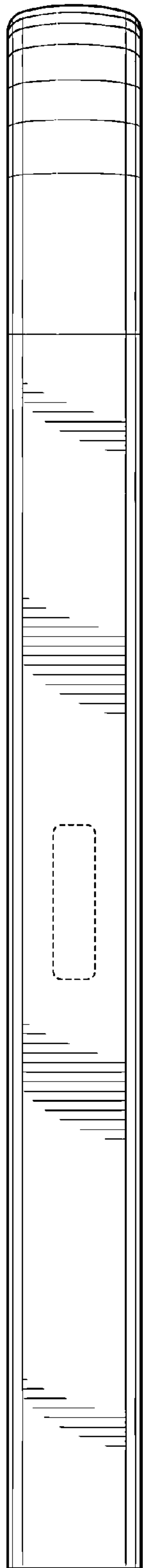


FIG. 11

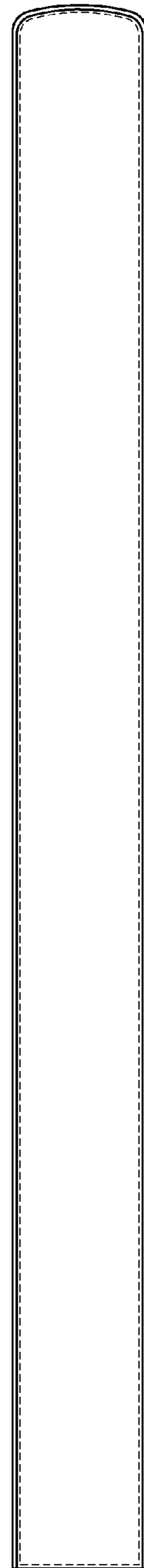


FIG. 12

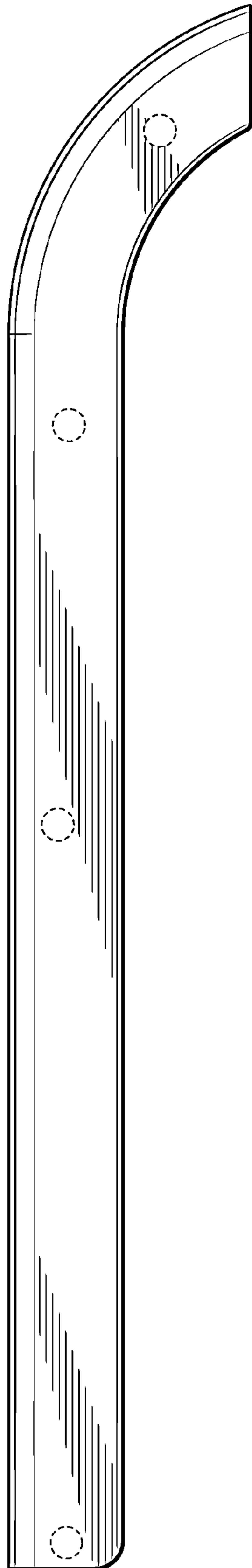


FIG. 13

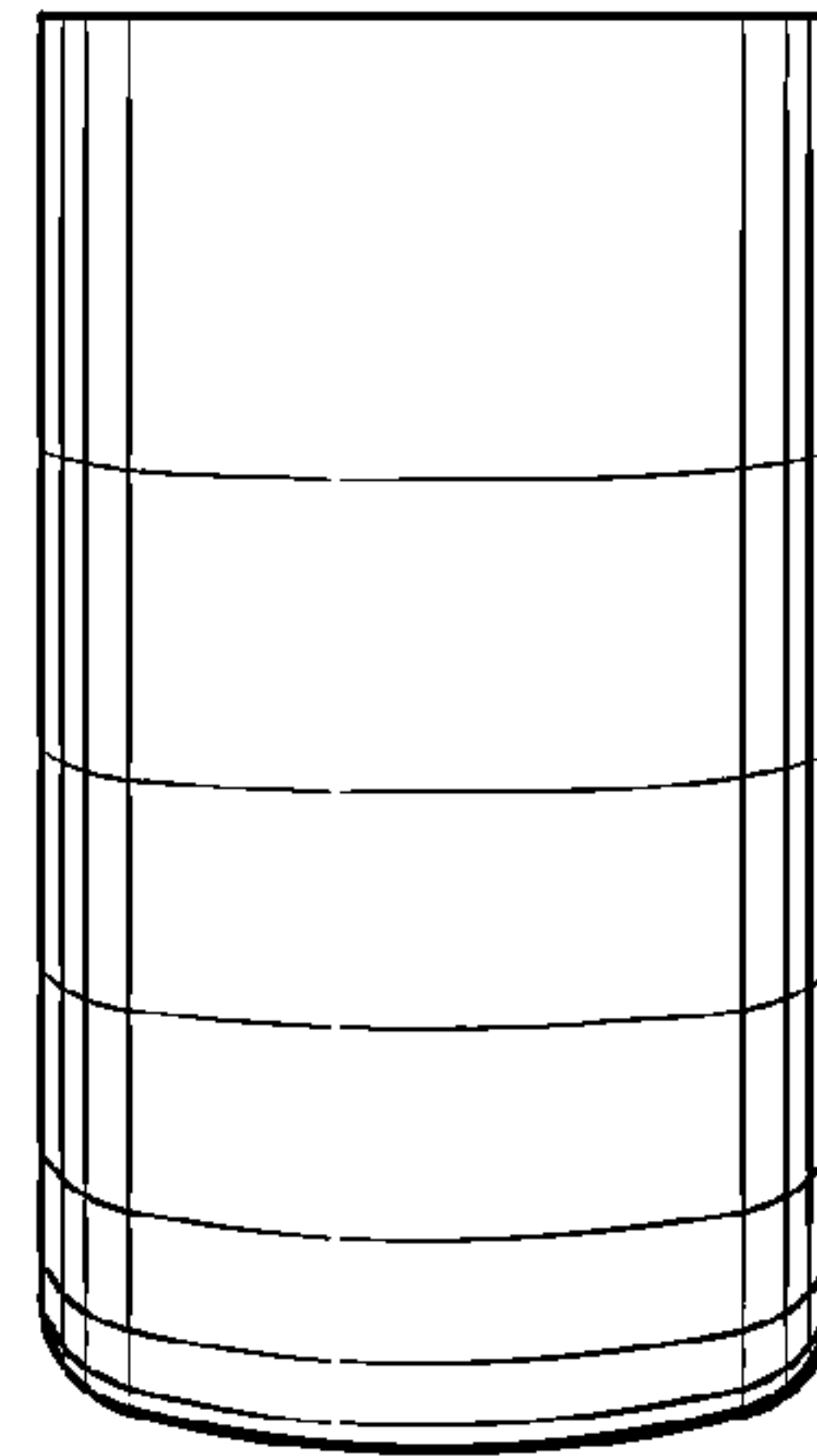


FIG. 14

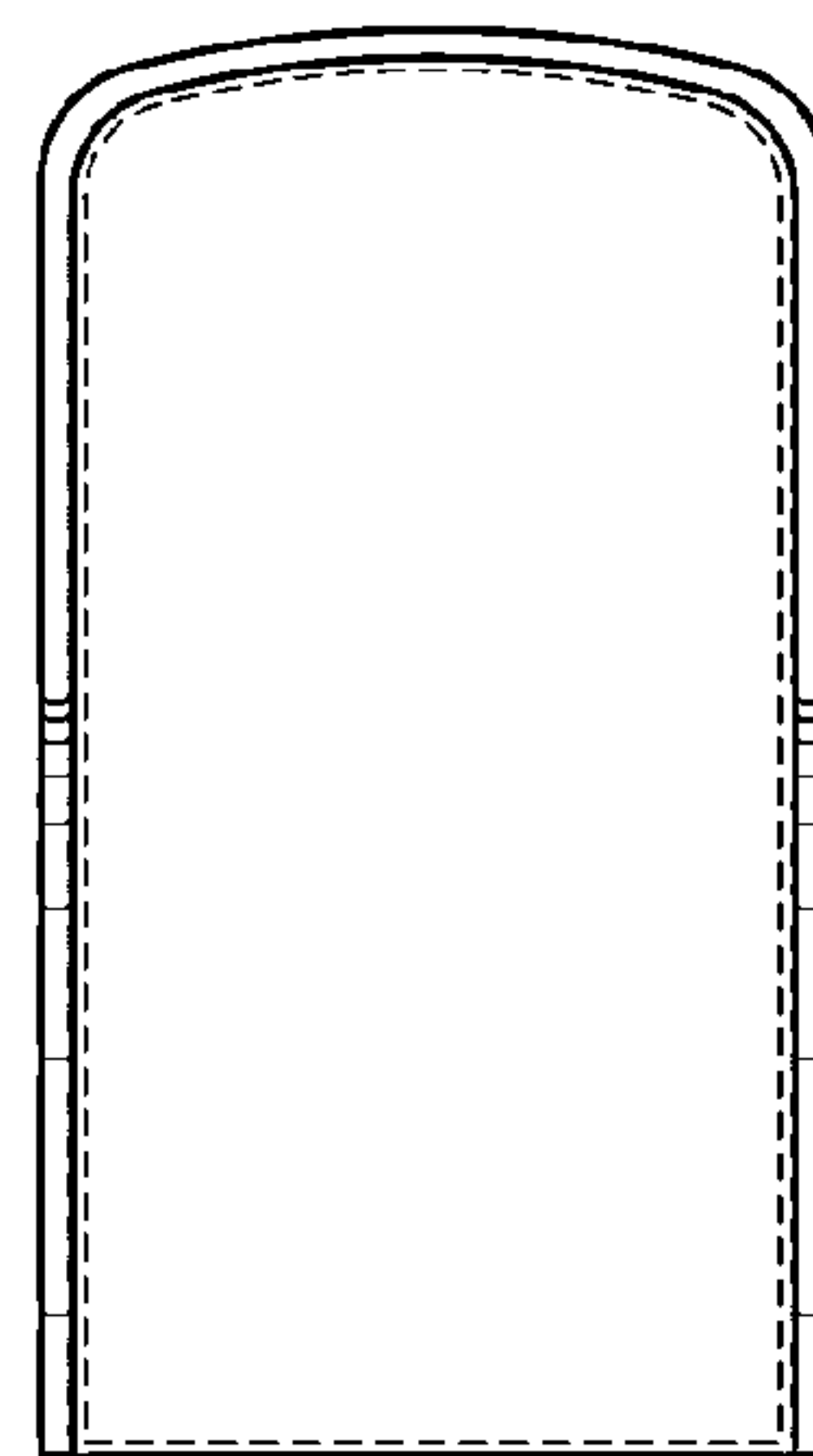


FIG. 15

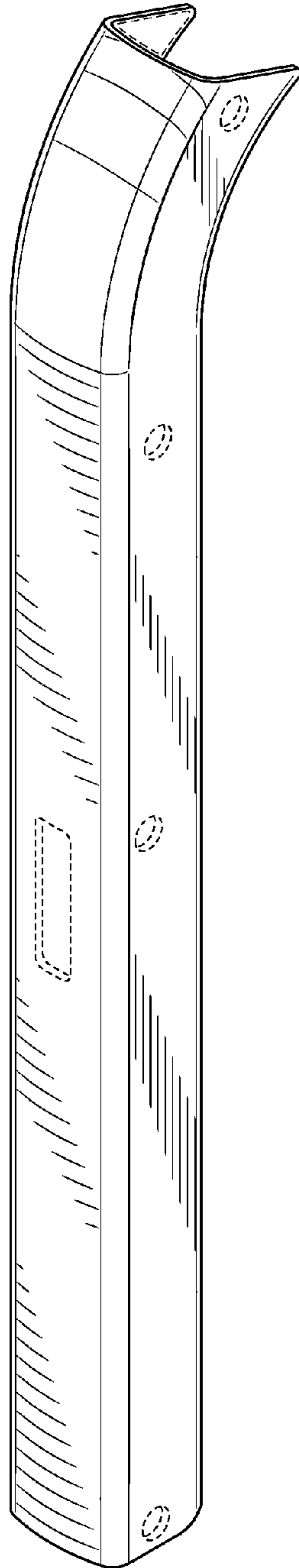


FIG. 16

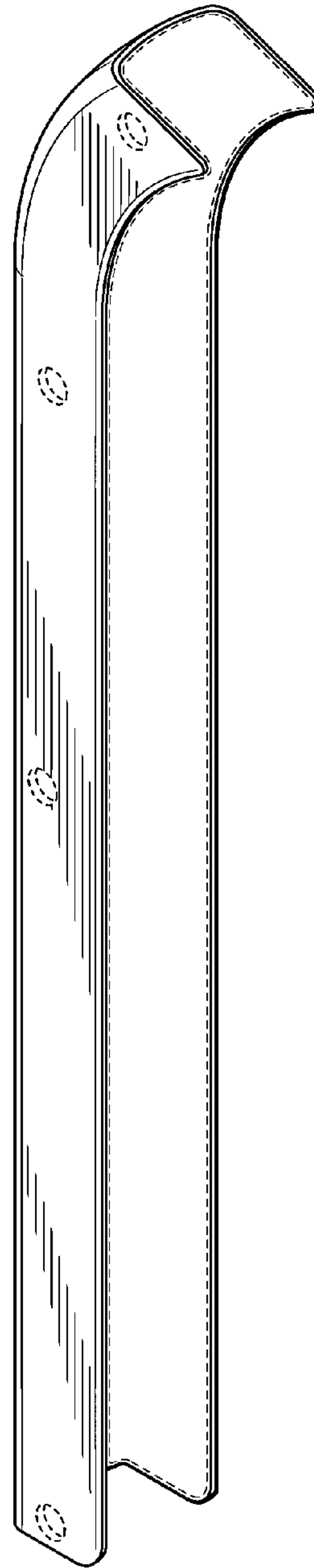


FIG. 17

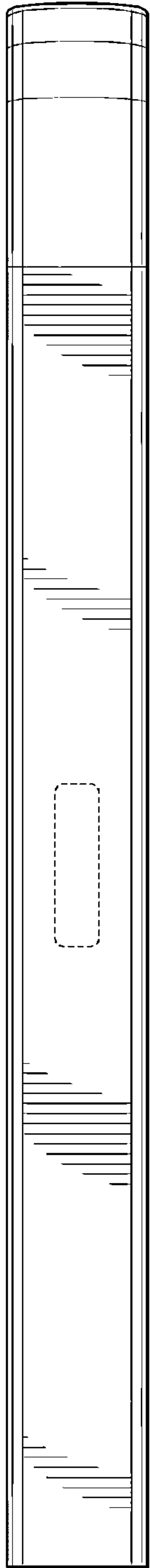


FIG. 18

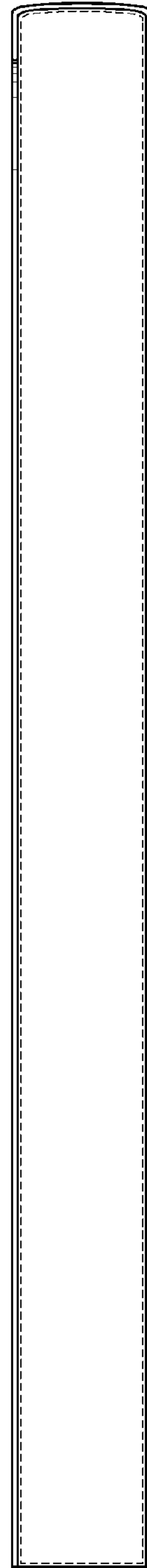


FIG. 19

FIG. 20

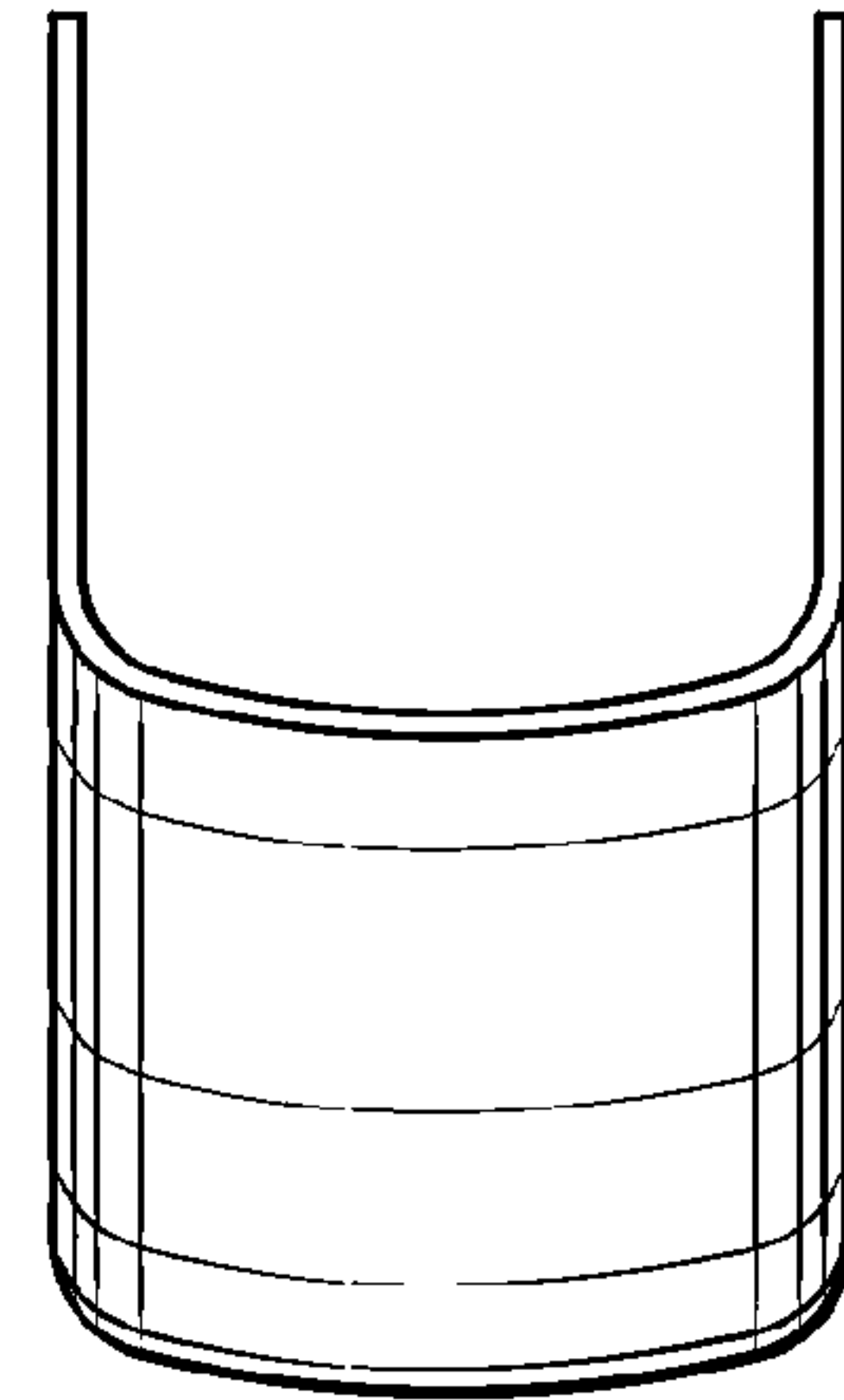
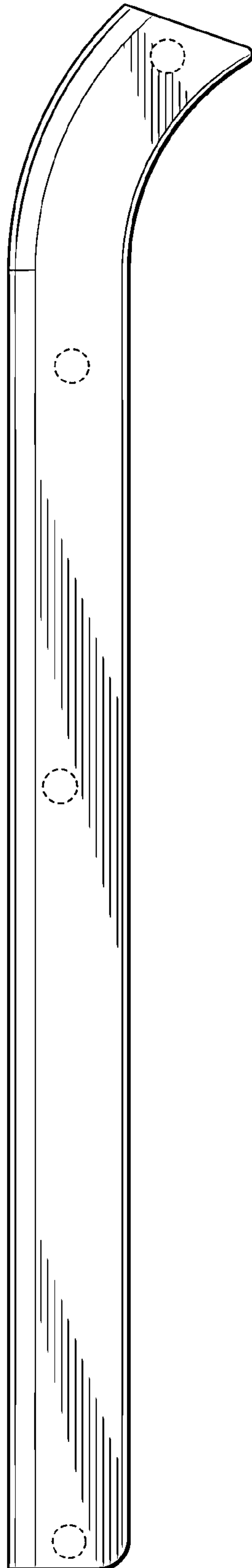


FIG. 21

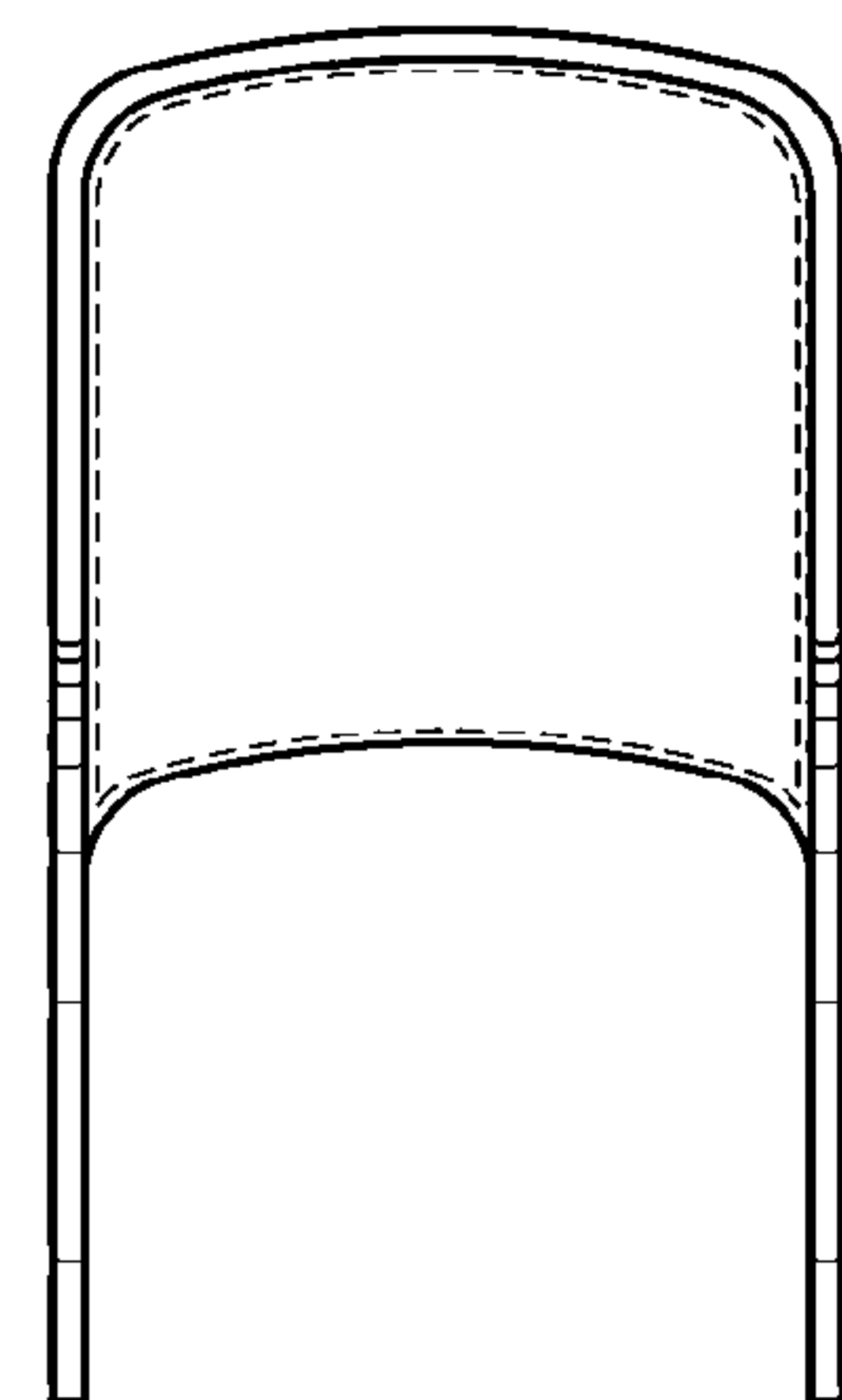


FIG. 22

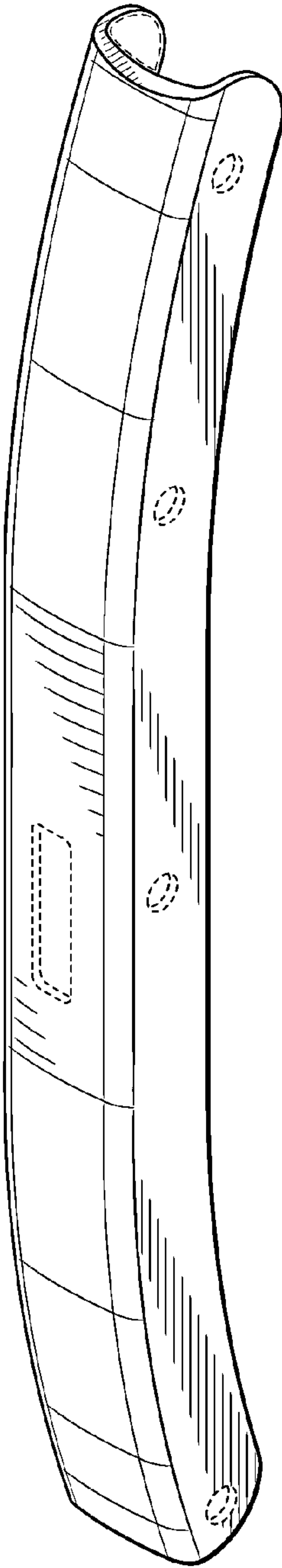


FIG. 23

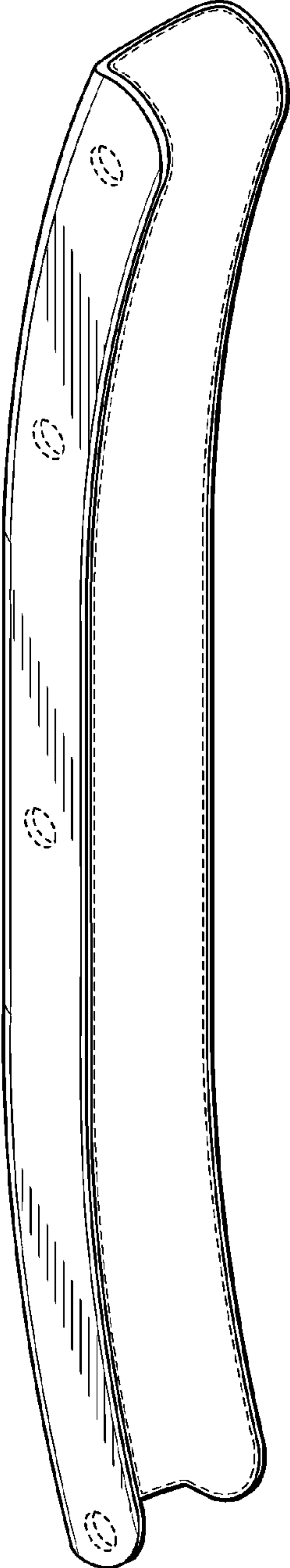


FIG. 24

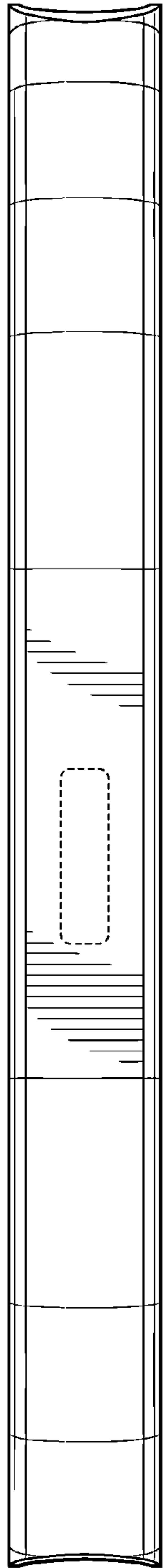


FIG. 25

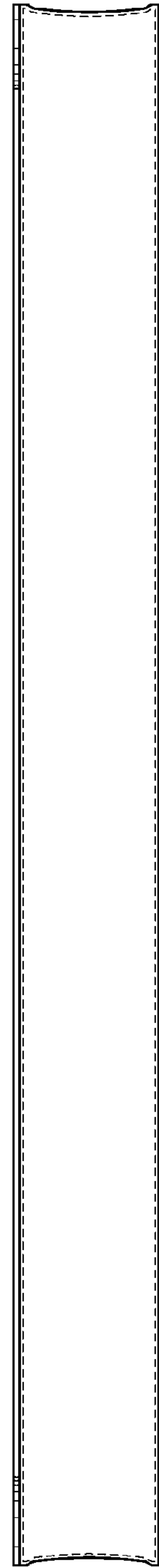


FIG. 26

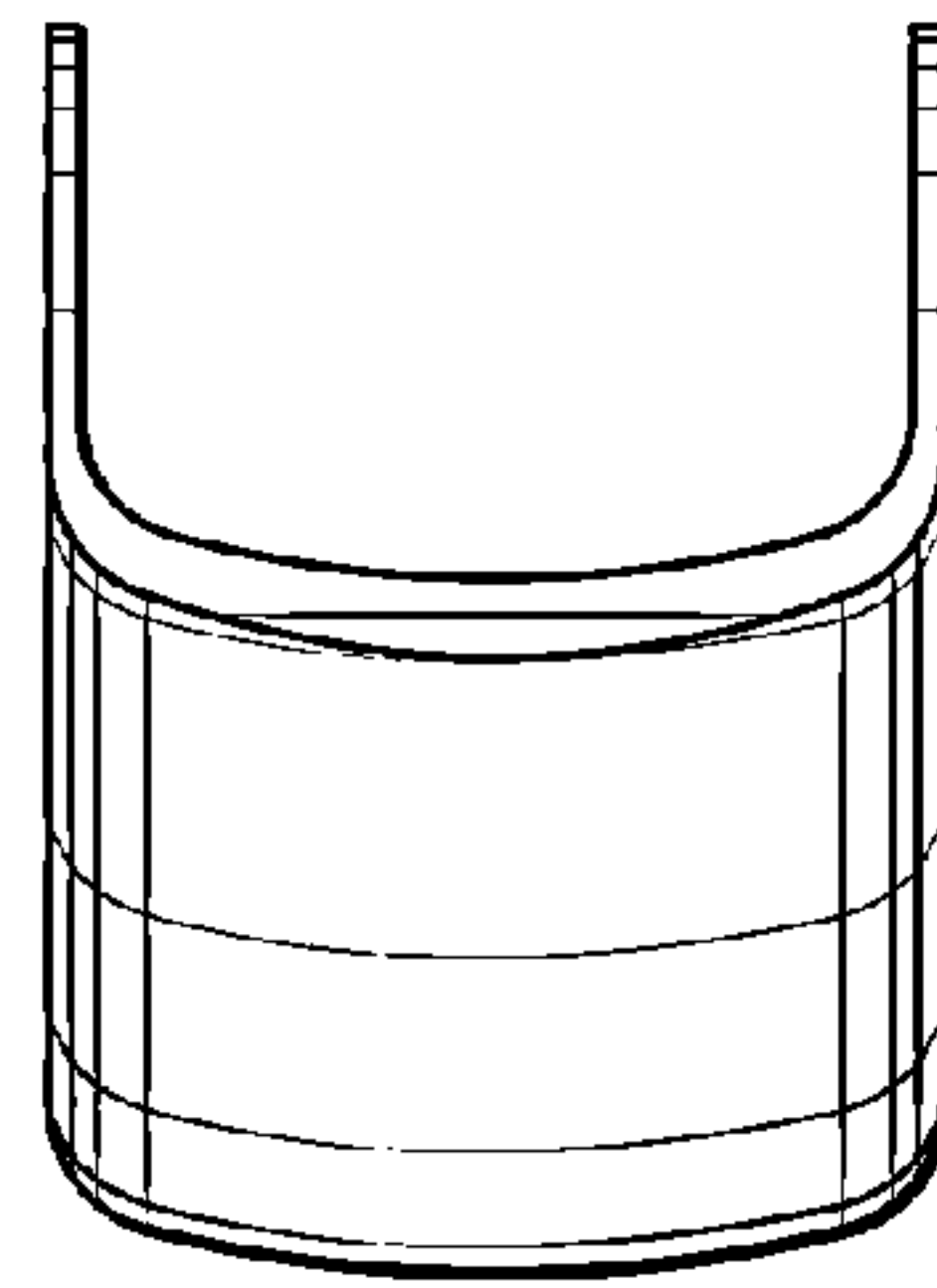
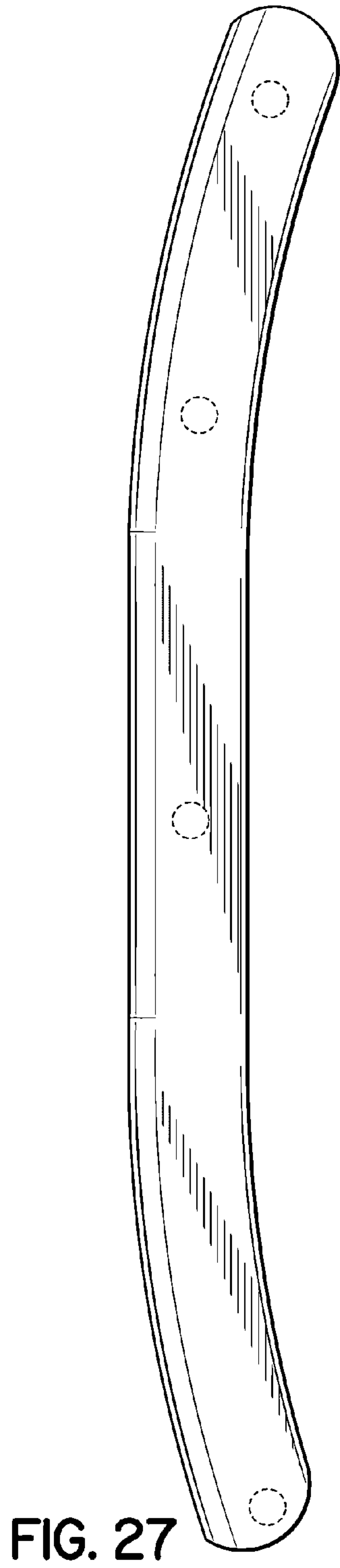


FIG. 28

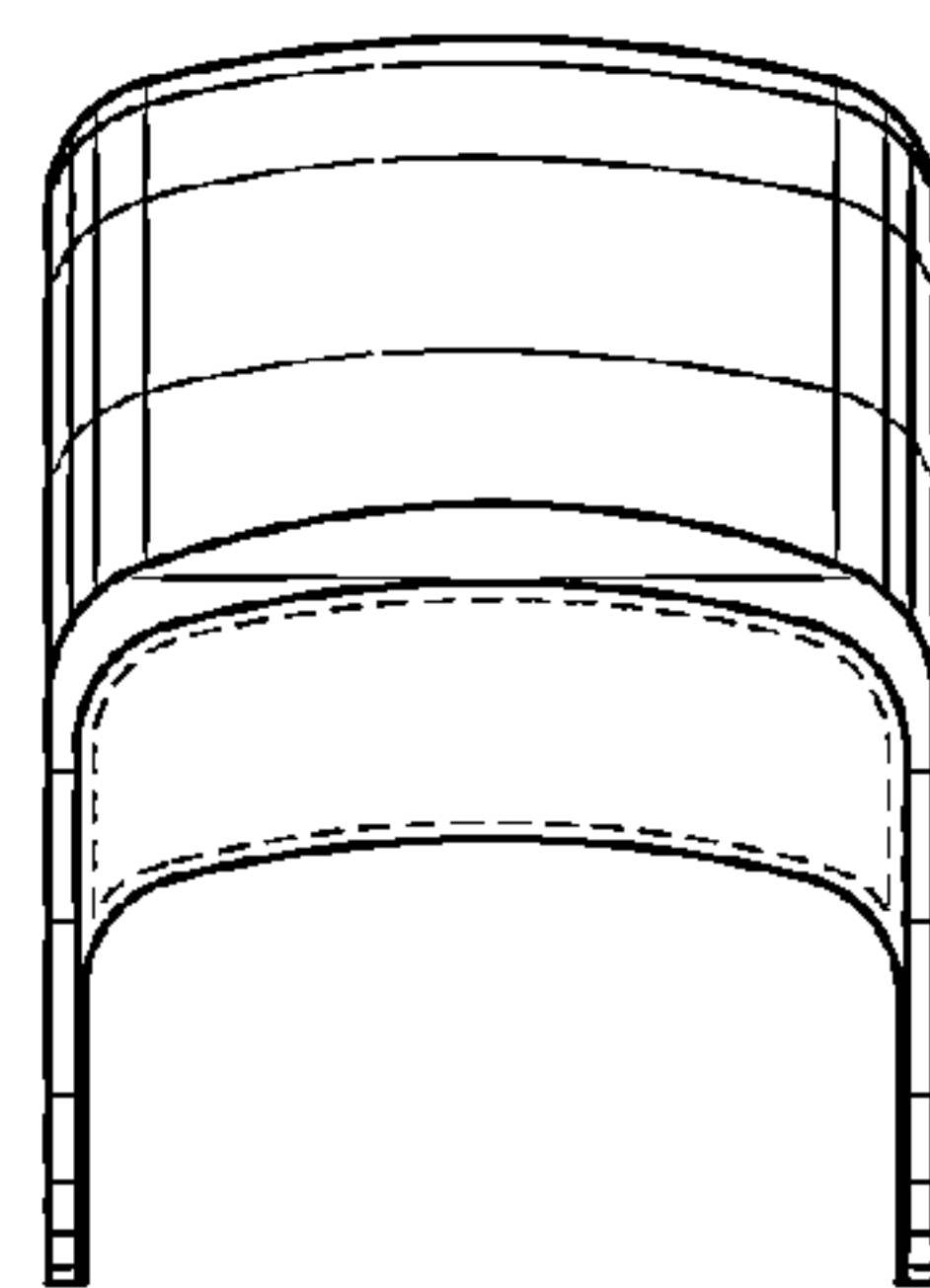


FIG. 29

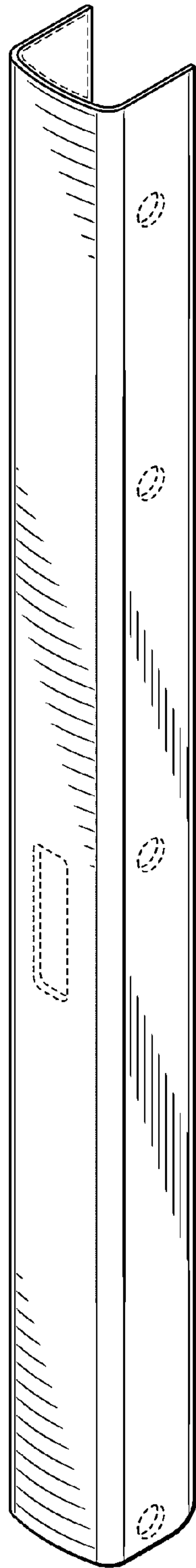


FIG. 30

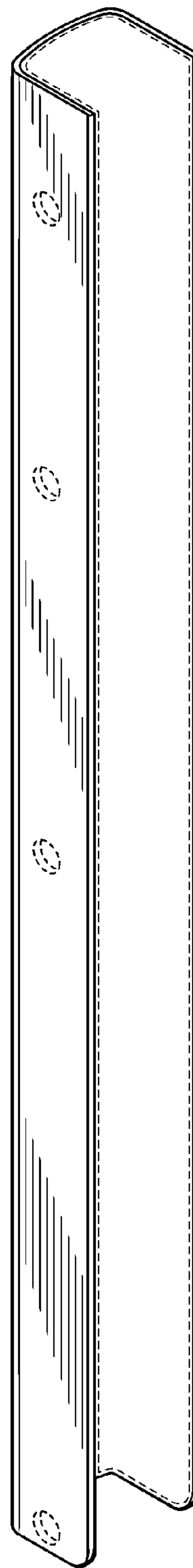


FIG. 31

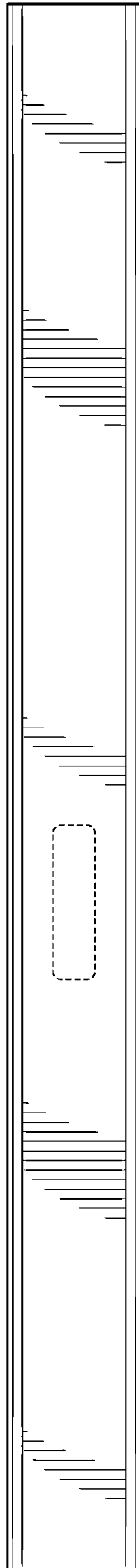


FIG. 32

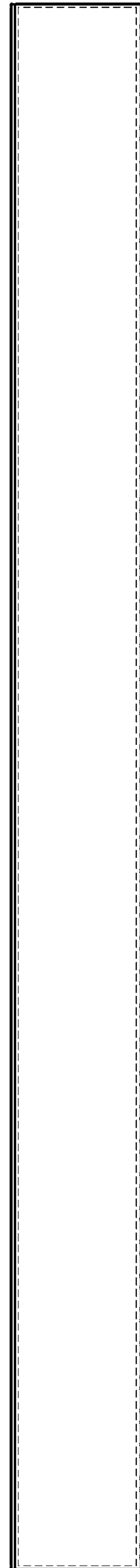


FIG. 33

FIG. 34

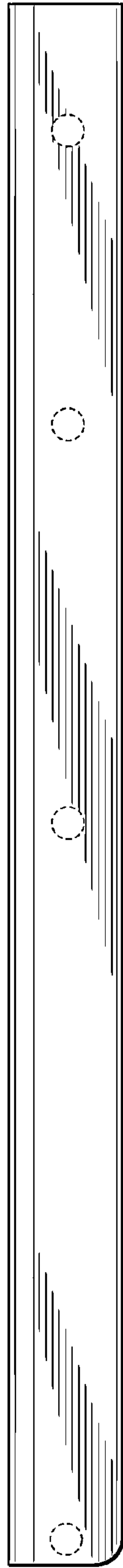


FIG. 35

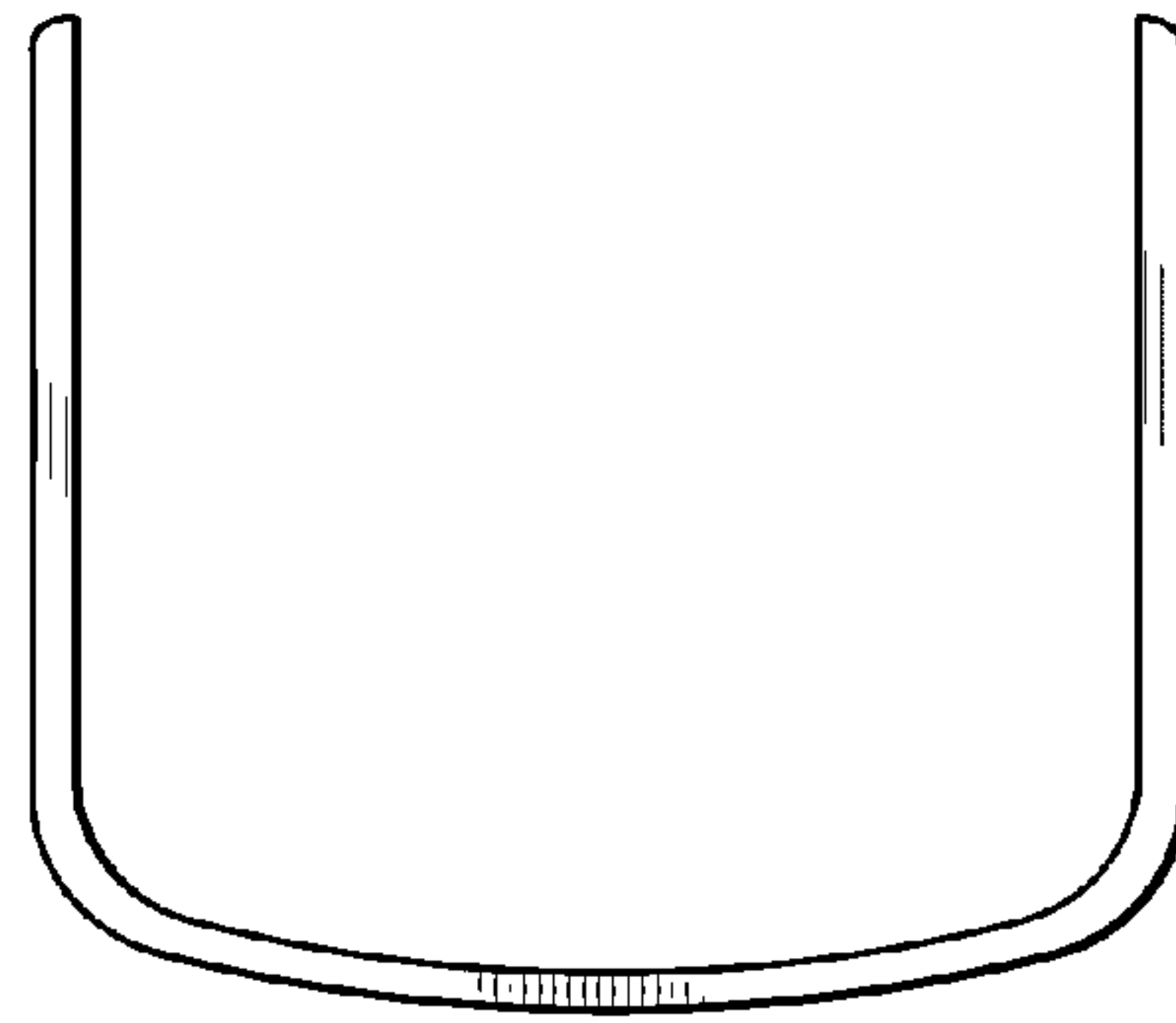
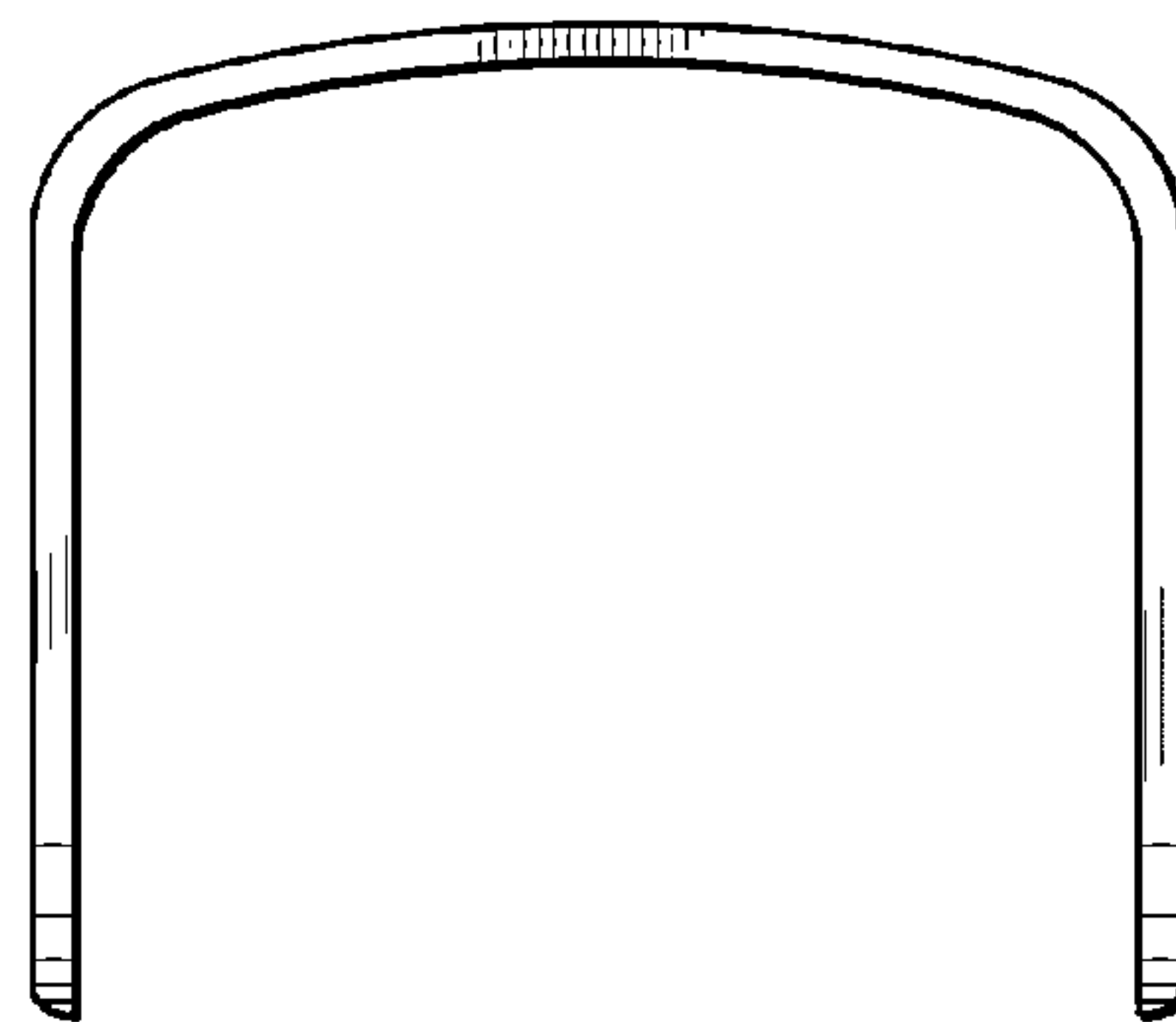


FIG. 36



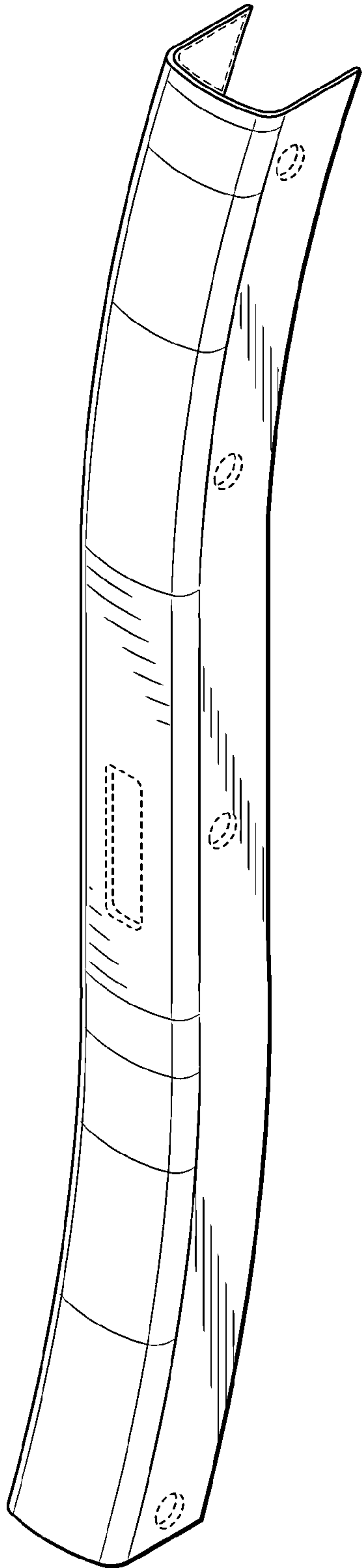


FIG. 37

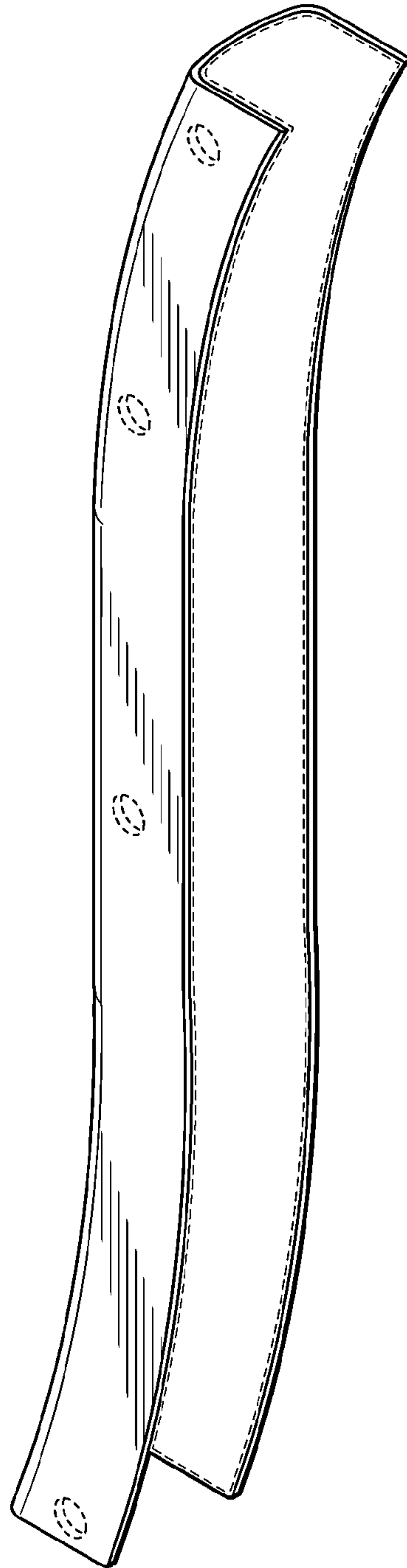


FIG. 38

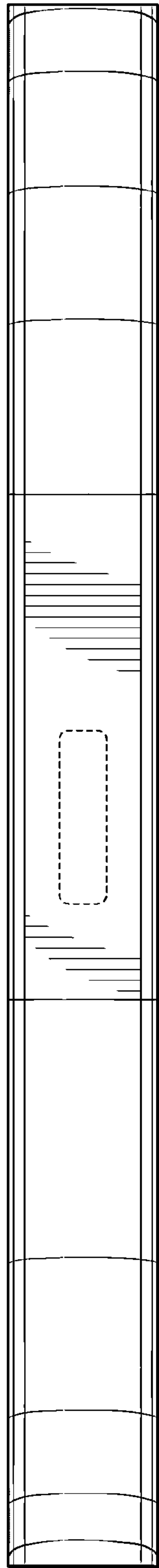


FIG. 39

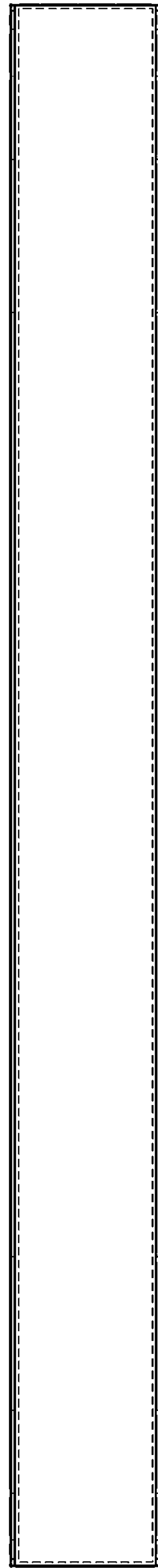


FIG. 40

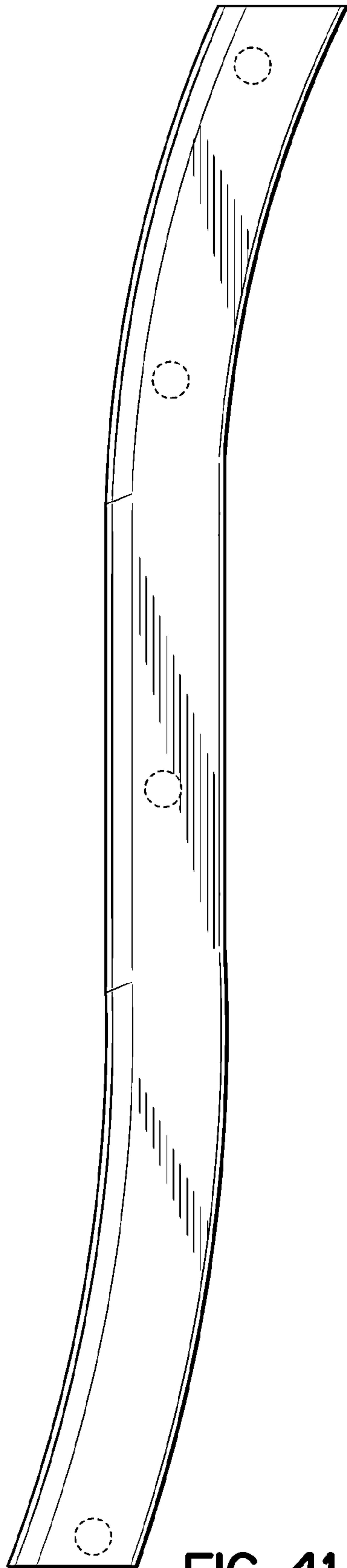


FIG. 41

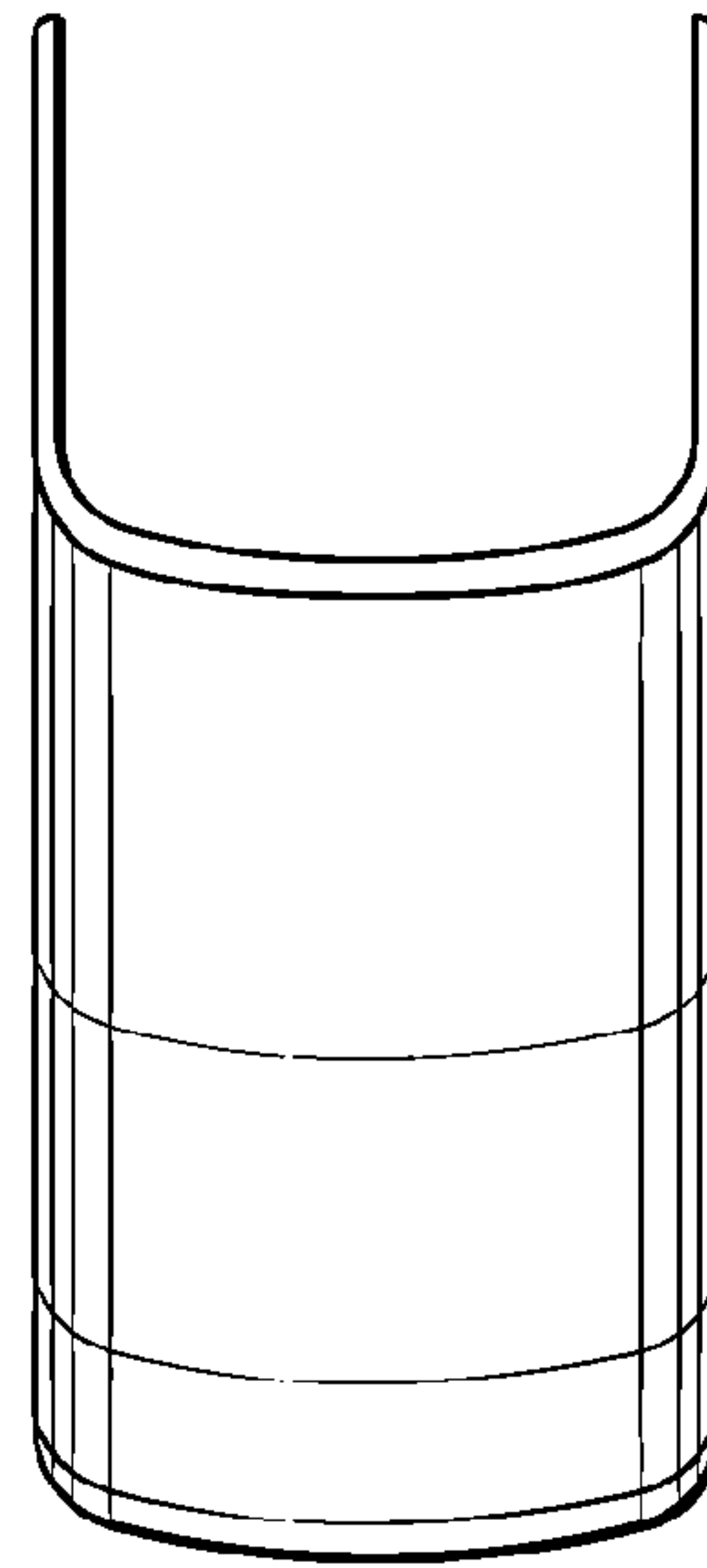


FIG. 42

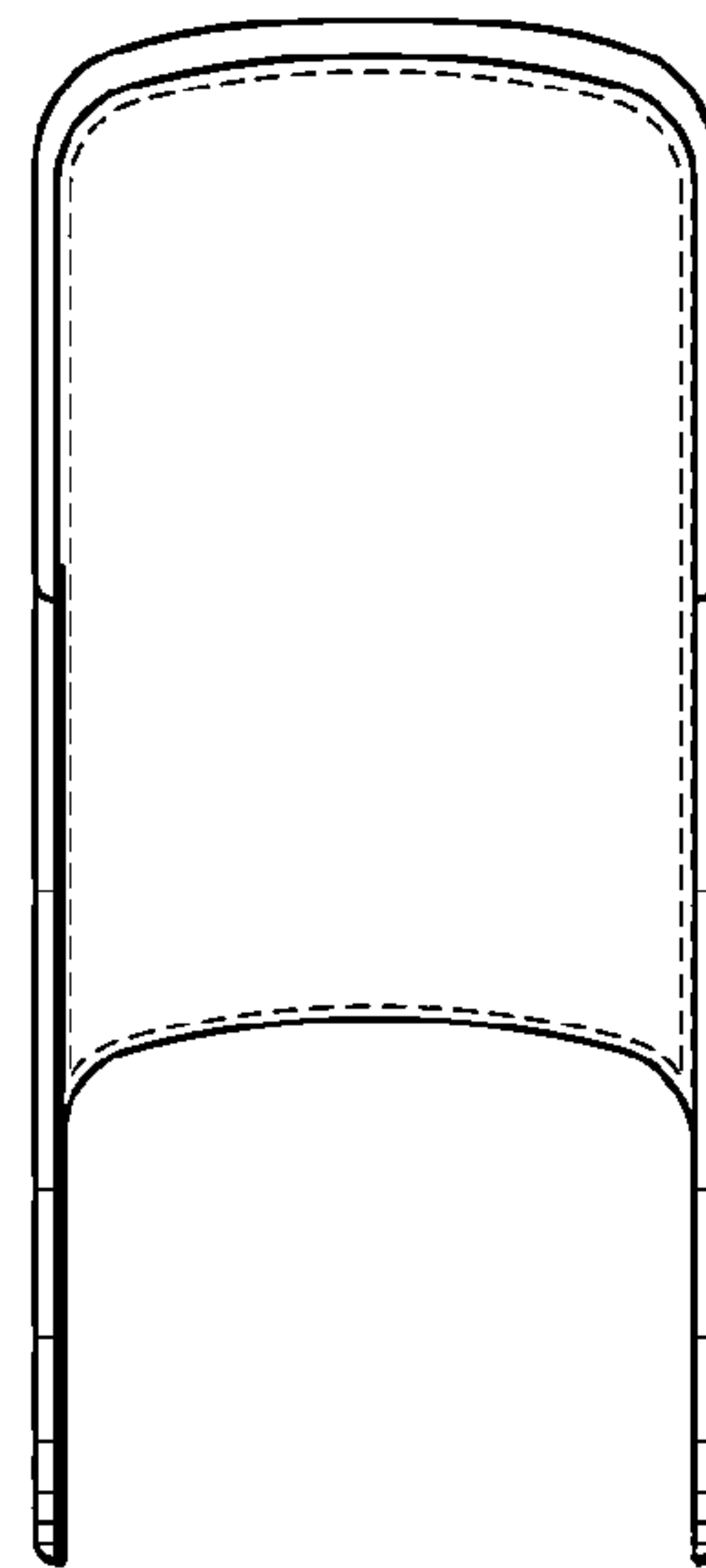


FIG. 43

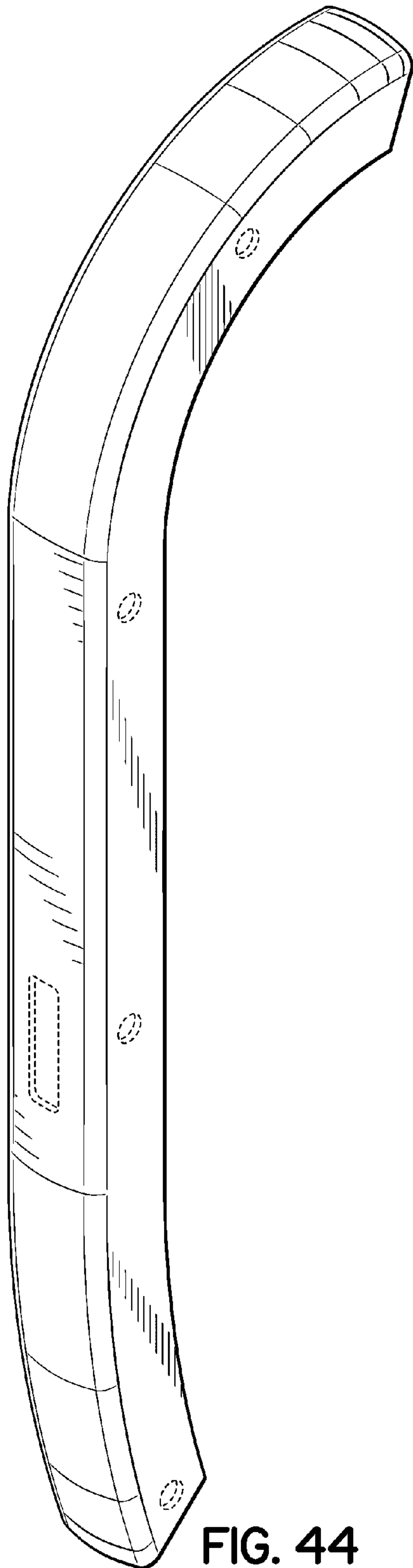


FIG. 44

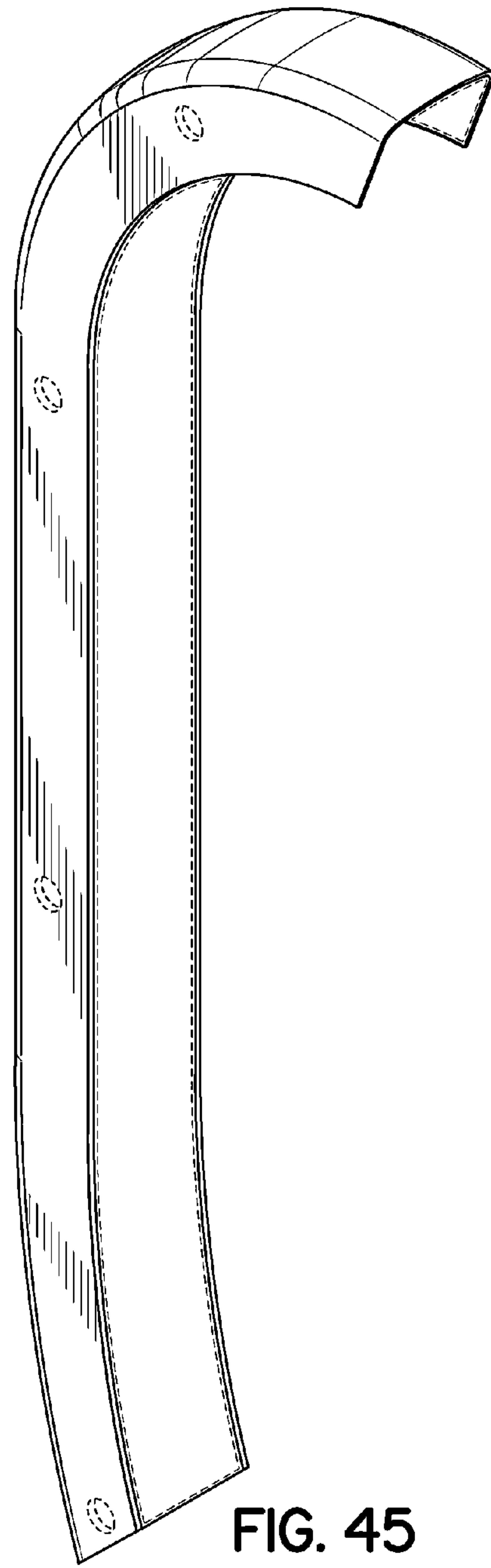


FIG. 45

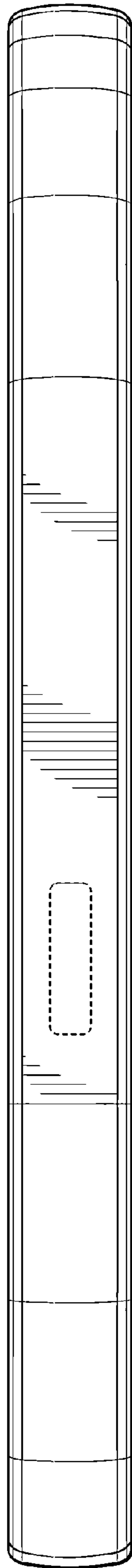


FIG. 46

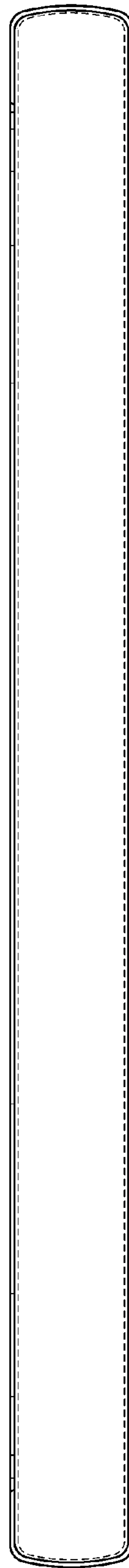


FIG. 47

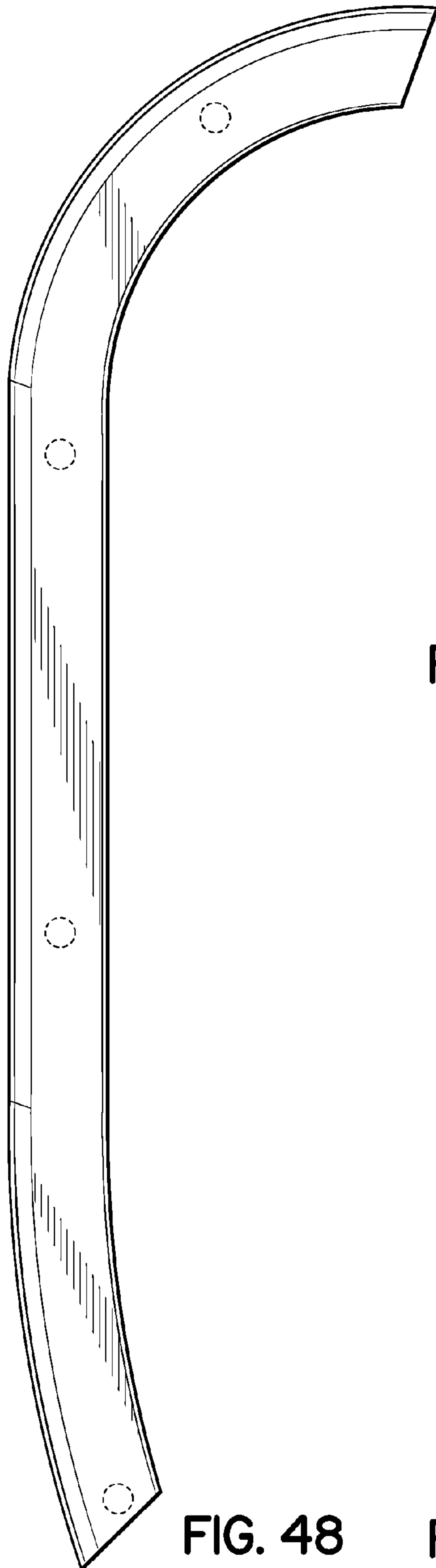


FIG. 48

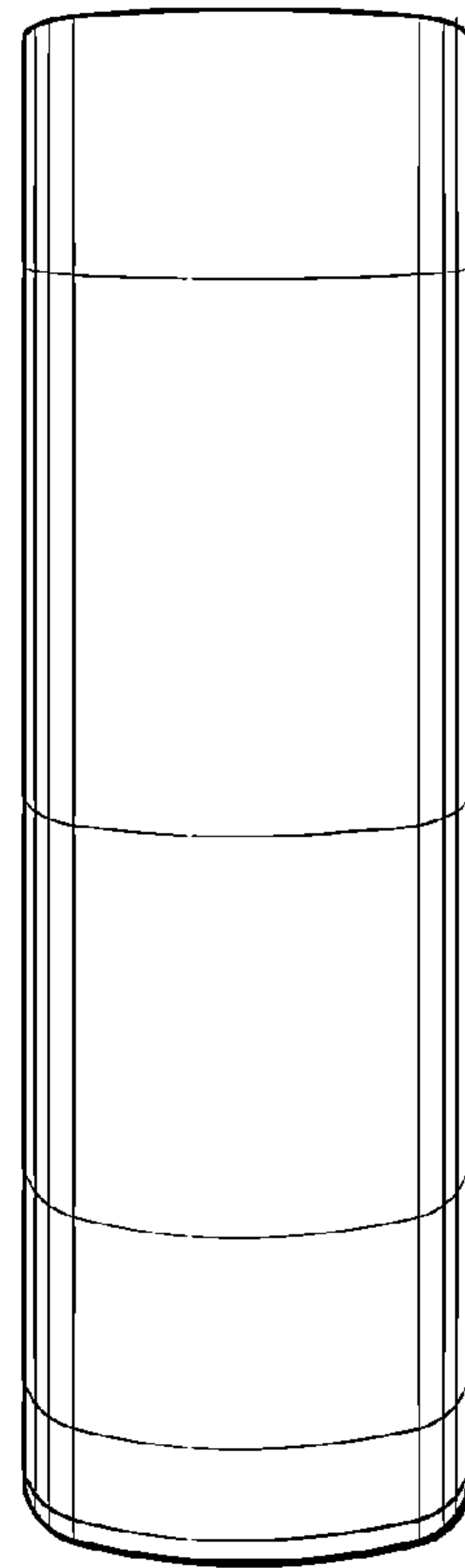


FIG. 49

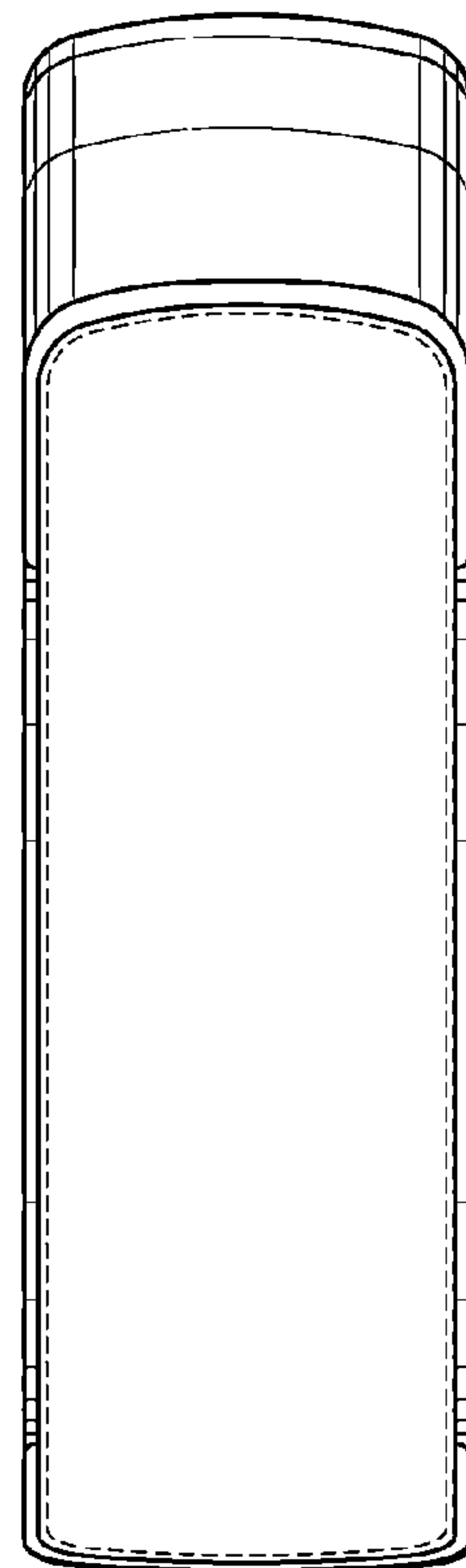


FIG. 50