



US00D708411S

(12) **United States Design Patent**  
**Schnautz**

(10) **Patent No.:** **US D708,411 S**  
(45) **Date of Patent:** **\*\* Jul. 1, 2014**

(54) **PORTABLE TOOL CARRIER**  
(71) Applicant: **Kurt Schnautz**, Evansville, IN (US)  
(72) Inventor: **Kurt Schnautz**, Evansville, IN (US)  
(\*\*) Term: **14 Years**  
(21) Appl. No.: **29/454,013**  
(22) Filed: **May 6, 2013**  
(51) **LOC (10) Cl.** ..... **12-02**  
(52) **U.S. Cl.**  
USPC ..... **D34/14; D34/24**  
(58) **Field of Classification Search**  
USPC ..... D34/12-27; 280/47.18, 47.19, 47.29,  
280/47.2, 47.27, 47.28, 79.1, 79.2, 79.3,  
280/47.26  
See application file for complete search history.

D523,203 S \* 6/2006 Pertuset ..... D34/24  
D524,505 S \* 7/2006 Babkes ..... D34/14  
D564,724 S \* 3/2008 Dethier ..... D34/24  
D570,069 S \* 5/2008 Leonard ..... D34/24  
D592,374 S \* 5/2009 Zenkus et al. .... D34/24  
7,766,161 B2 8/2010 Good  
D633,679 S \* 3/2011 DeLuca ..... D34/23  
D638,190 S \* 5/2011 Spann ..... D34/14  
D644,401 S \* 8/2011 Dechant et al. .... D34/26  
2002/0084629 A1 7/2002 Levy et al.  
2004/0061298 A1 4/2004 Sandoval  
2007/0039986 A1 2/2007 Tomasi  
2008/0079227 A1 4/2008 Angellotto  
2010/0052276 A1 3/2010 Brunner

\* cited by examiner

*Primary Examiner* — Cynthia Ramirez  
(74) *Attorney, Agent, or Firm* — Woodard, Emhardt,  
Moriarty, McNett & Henry LLP

(57) **CLAIM**  
The ornamental design for a portable tool carrier, as shown  
and described.

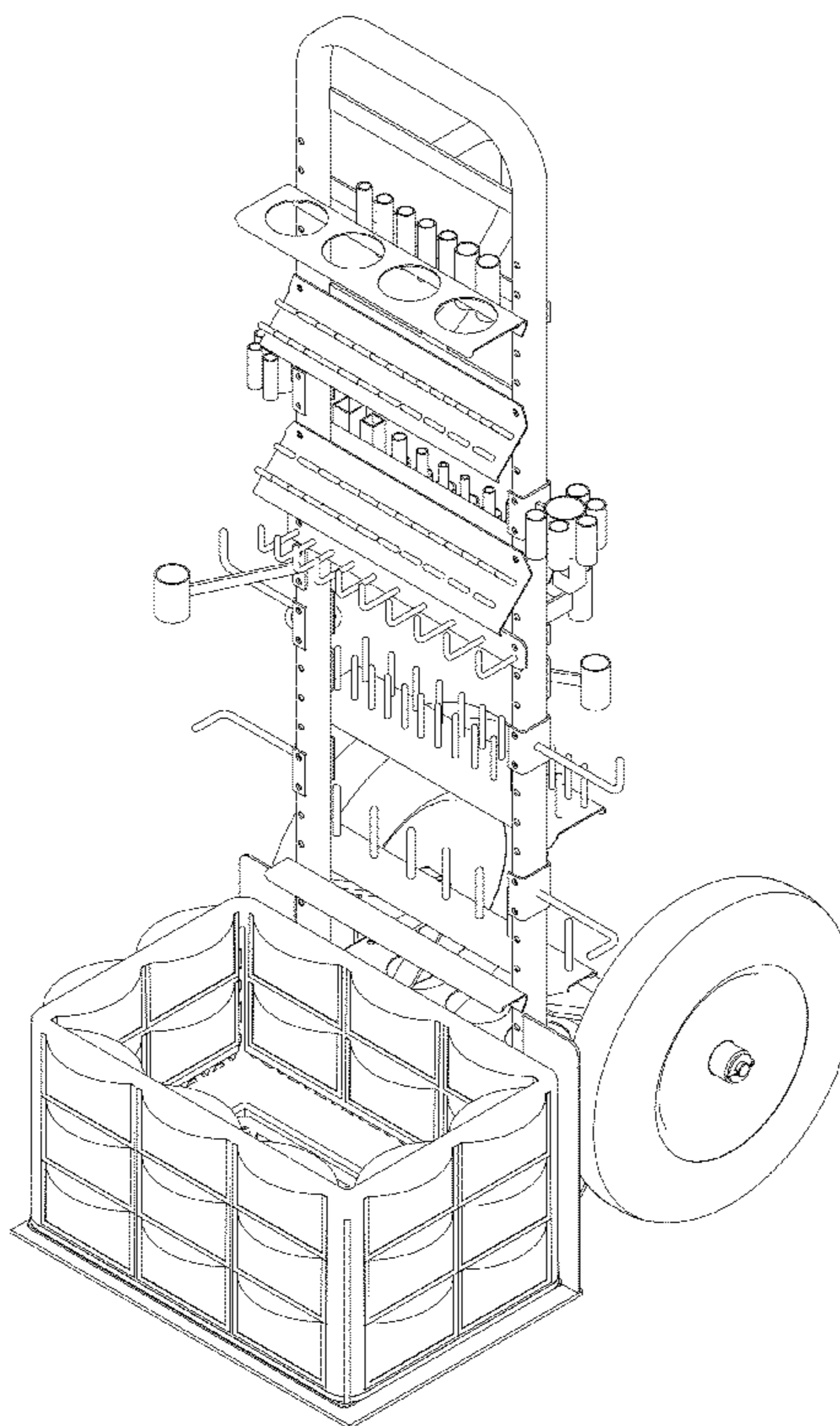
(56) **References Cited**  
U.S. PATENT DOCUMENTS

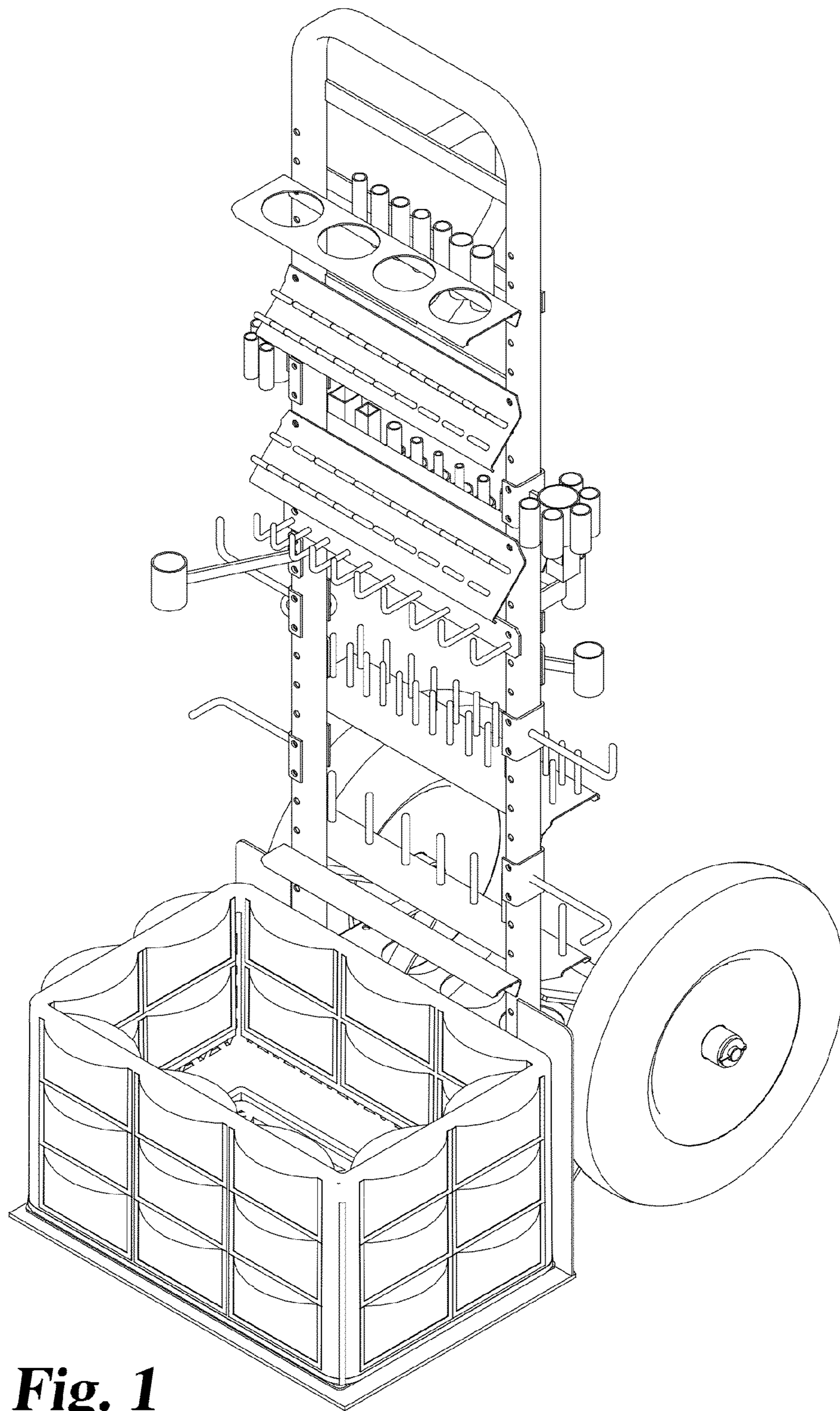
D166,953 S \* 6/1952 Clarke ..... D34/15  
D302,887 S \* 8/1989 Ackerfeldt ..... D34/15  
5,013,055 A 5/1991 Labrum  
D392,127 S \* 3/1998 Paus ..... D6/492  
D396,924 S \* 8/1998 Cardenas ..... D34/24  
D408,606 S 4/1999 Hurt  
6,036,203 A 3/2000 Tyus et al.  
6,179,306 B1 1/2001 Maxwell  
D441,935 S \* 5/2001 Cook ..... D34/24  
D451,256 S \* 11/2001 Armanno, Sr. .... D34/15  
6,808,185 B1 10/2004 Brace

**DESCRIPTION**

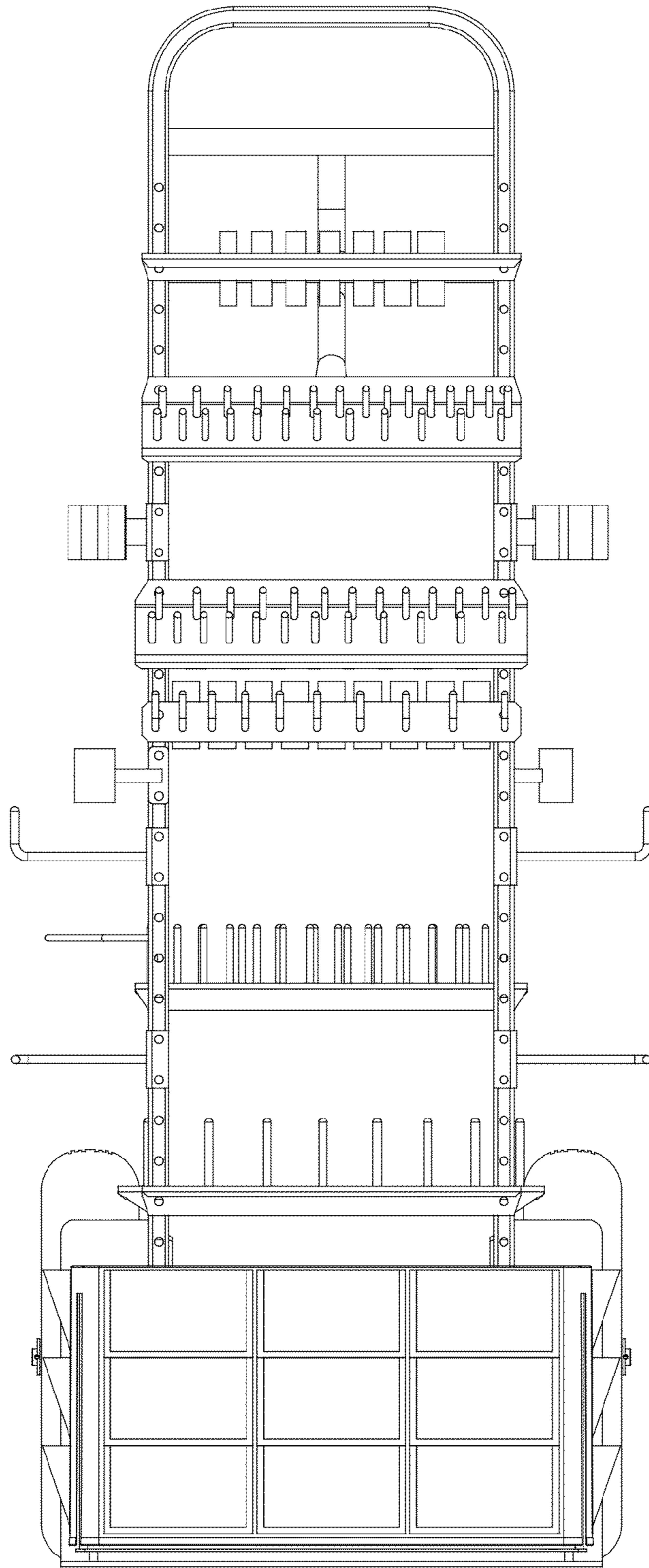
FIG. 1 is a perspective view of the portable tool carrier show-  
ing the design;  
FIG. 2 is a front elevational view thereof;  
FIG. 3 is a rear elevational view thereof;  
FIG. 4 is a left side elevational view thereof;  
FIG. 5 is a right side elevational view thereof;  
FIG. 6 is an enlarged top plan view thereof; and,  
FIG. 7 is an enlarged bottom plan view thereof.

**1 Claim, 7 Drawing Sheets**

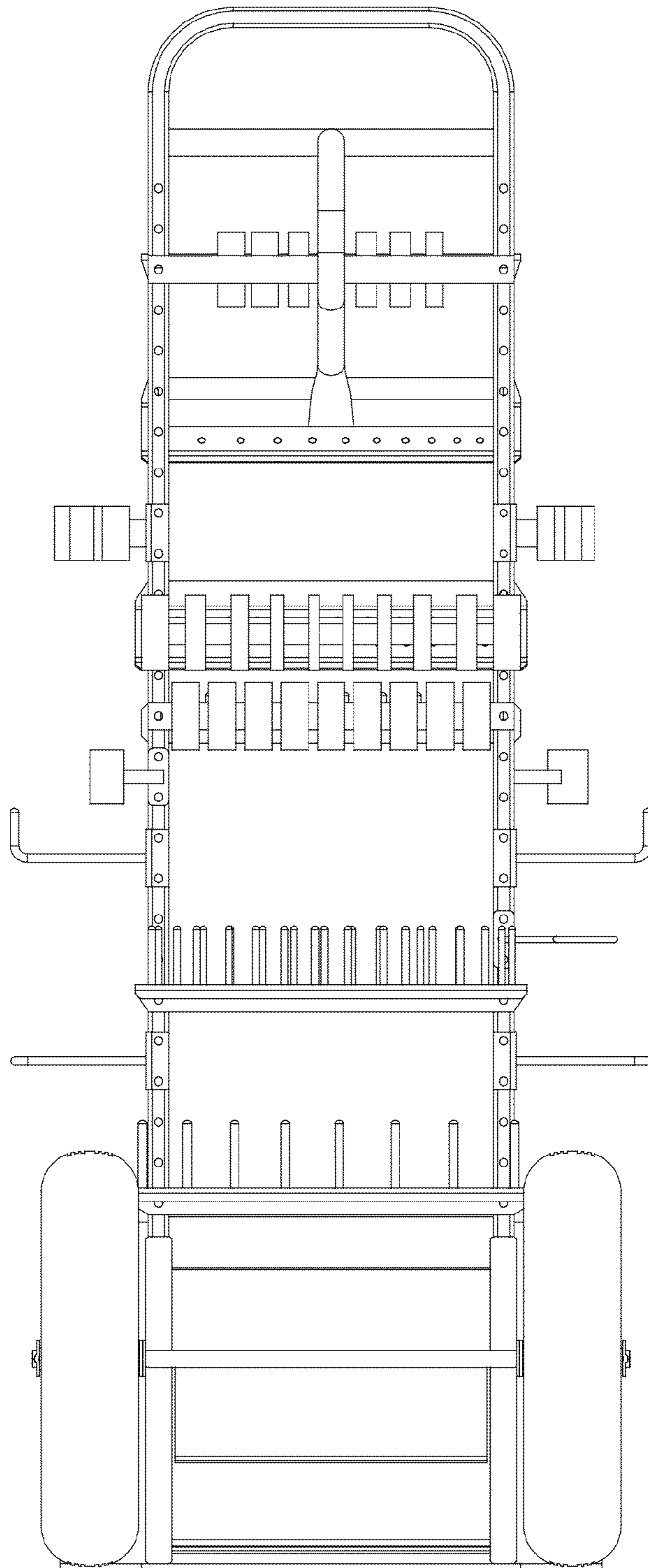




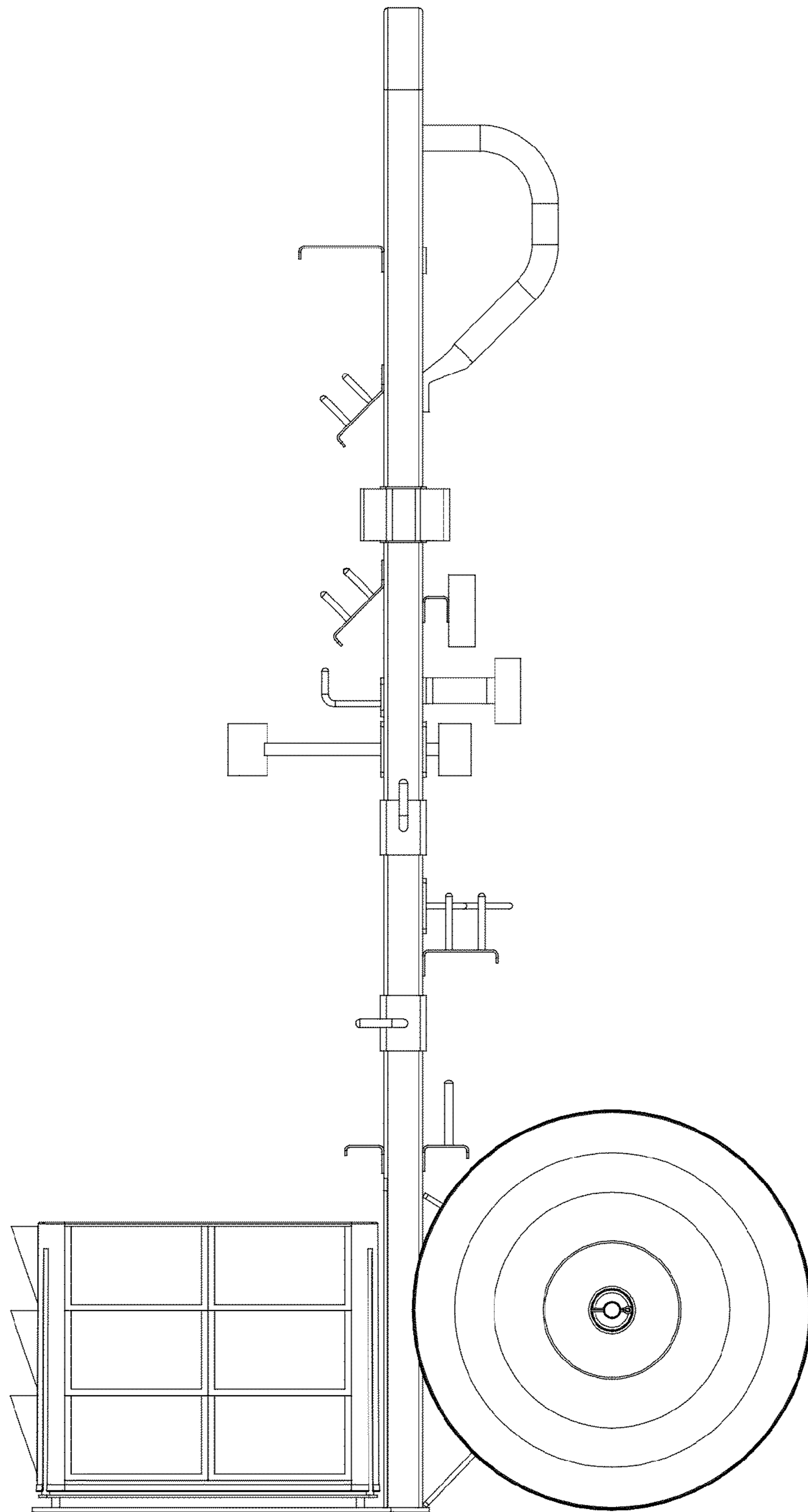
**Fig. 1**



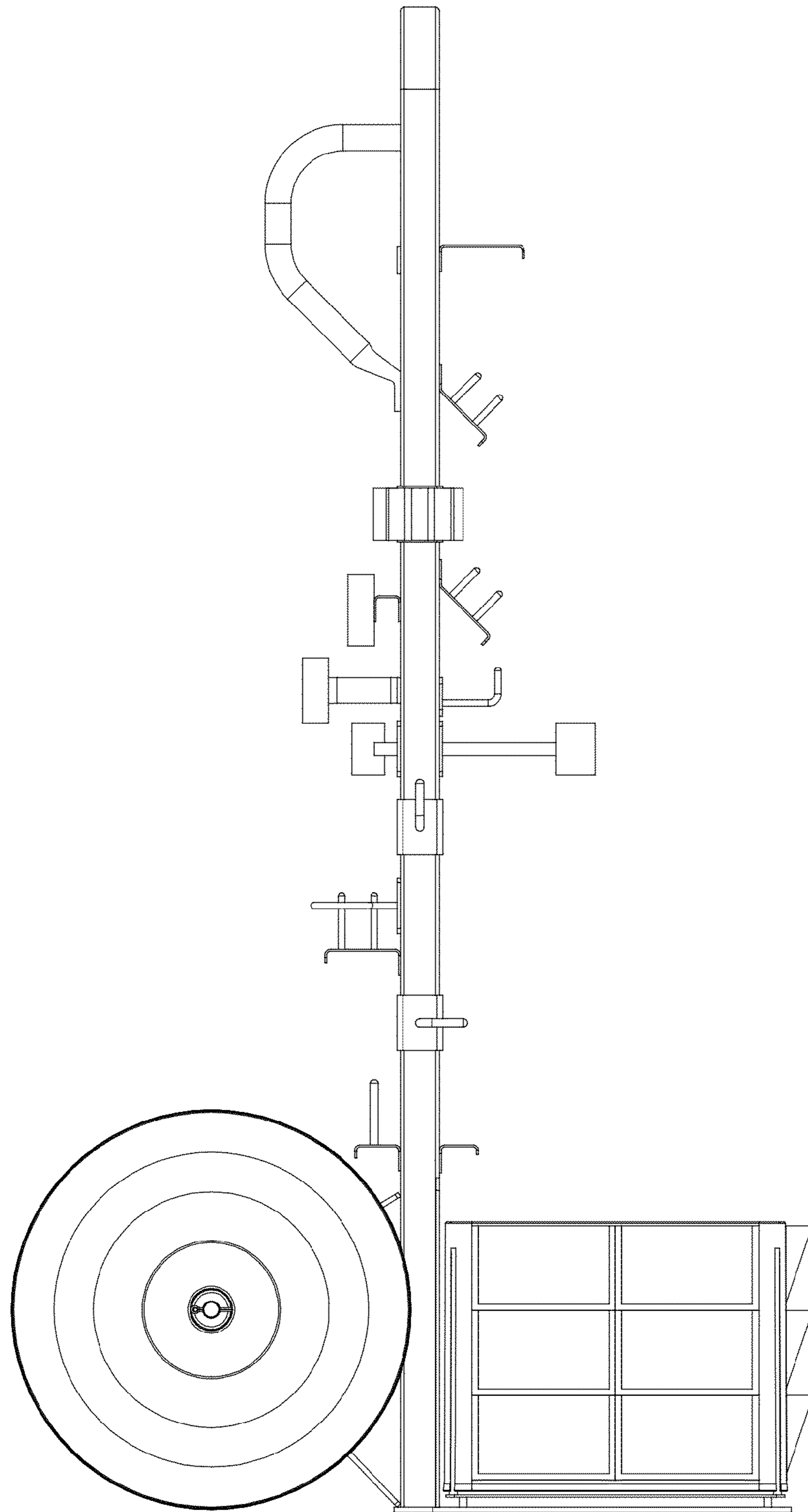
**Fig. 2**



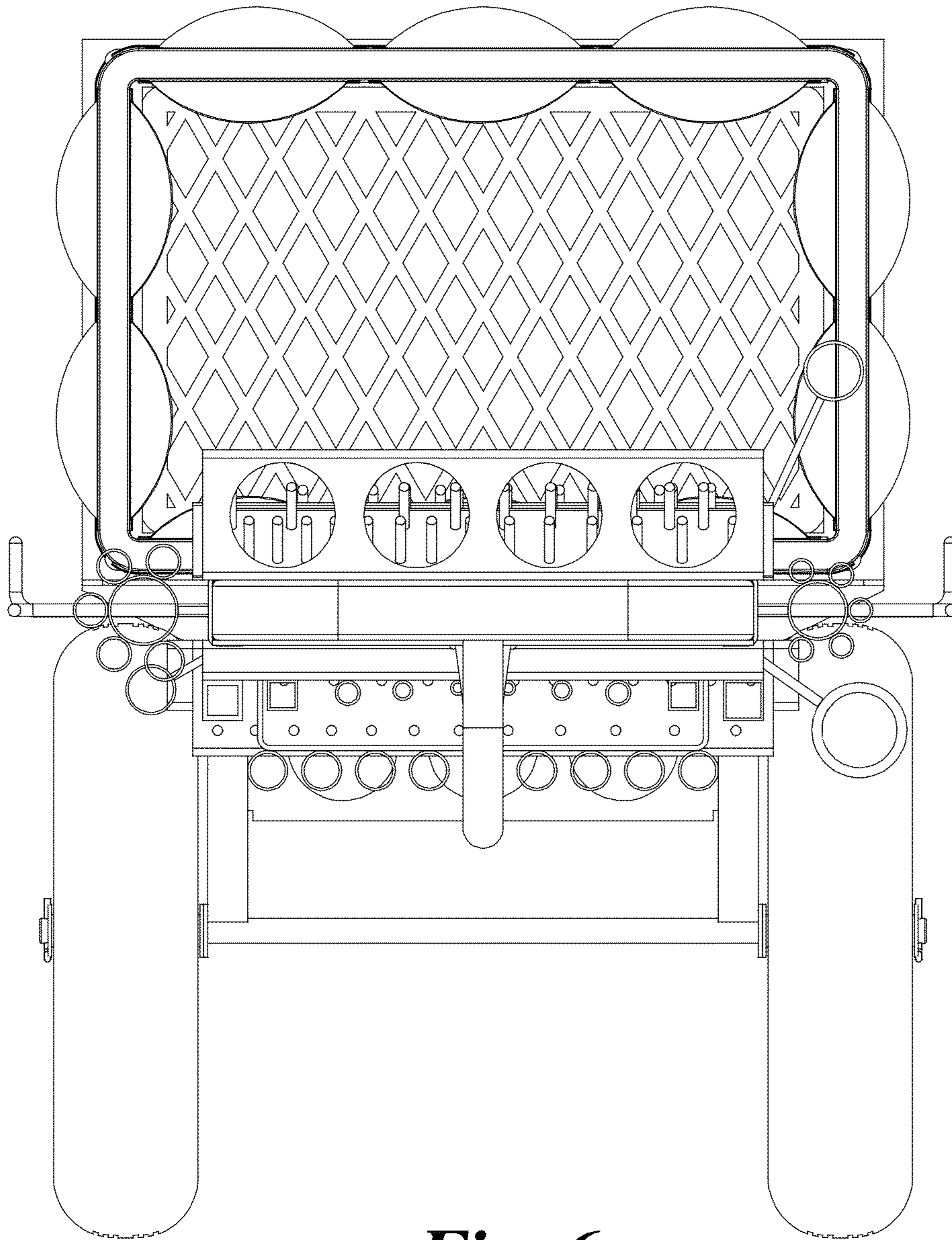
**Fig. 3**



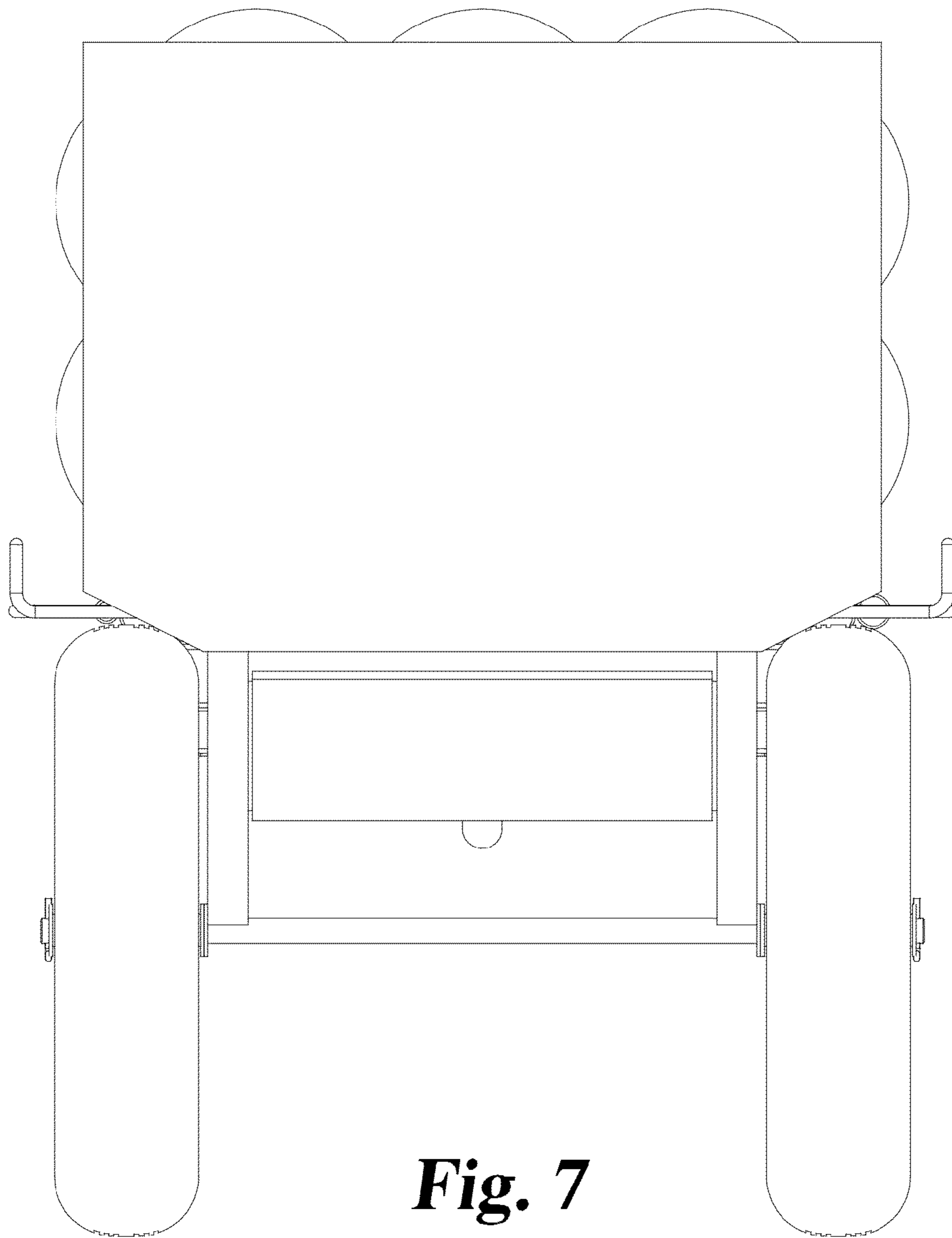
**Fig. 4**



**Fig. 5**



**Fig. 6**



**Fig. 7**