



US00D708407S

(12) **United States Design Patent**  
**Chu et al.**

(10) **Patent No.:** **US D708,407 S**

(45) **Date of Patent:** **\*\* Jul. 1, 2014**

(54) **FLOOR CLEANER CANISTER**

(71) Applicant: **BISSELL Homecare, Inc.**, Grand Rapids, MI (US)

(72) Inventors: **Lawrence Chun-Hei Chu**, Shenzhen (CN); **Charles Jing Yang**, Zhongshan (CN); **Christopher John Reinke**, Saint Joseph, MI (US); **Matthias Reisenberger**, Shanghai (CN); **Jing Pang**, Shanghai (CN); **Jonas Vollmer**, Shanghai (CN)

(73) Assignee: **BISSELL Homecare, Inc.**, Grand Rapids, MI (US)

(\*\*) Term: **14 Years**

(21) Appl. No.: **29/447,009**

(22) Filed: **Feb. 28, 2013**

(51) **LOC (10) Cl.** ..... **15-05**

(52) **U.S. Cl.**  
USPC ..... **D32/21**

(58) **Field of Classification Search**  
USPC ..... D32/21, 23, 24, 30, 31; 55/378, 337, 55/447, 345, DIG. 3, 349, 429, 459.1, 395; 15/327.1, 327.2, 327.4, 327.6, 327.7, 15/347, 353, 337, 411

See application file for complete search history.

(56) **References Cited**

U.S. PATENT DOCUMENTS

|              |    |   |         |              |       |          |
|--------------|----|---|---------|--------------|-------|----------|
| D445,226     | S  | * | 7/2001  | Jupp         | ..... | D32/21   |
| D518,611     | S  | * | 4/2006  | Hare         | ..... | D32/21   |
| D552,310     | S  | * | 10/2007 | Shin         | ..... | D32/21   |
| 7,380,308    | B2 | * | 6/2008  | Oh et al.    | ..... | 15/327.2 |
| D594,162     | S  | * | 6/2009  | Knox et al.  | ..... | D32/21   |
| D594,609     | S  | * | 6/2009  | Dyson et al. | ..... | D32/21   |
| 7,721,385    | B2 | * | 5/2010  | Genn et al.  | ..... | 15/347   |
| D646,030     | S  | * | 9/2011  | Carr et al.  | ..... | D32/21   |
| D646,031     | S  | * | 9/2011  | Carr et al.  | ..... | D32/21   |
| 2006/0213023 | A1 | * | 9/2006  | Hare et al.  | ..... | 15/327.2 |
| 2013/0025086 | A1 | * | 1/2013  | Komae et al. | ..... | 15/347   |

\* cited by examiner

*Primary Examiner* — Ruth McInroy

(74) *Attorney, Agent, or Firm* — McGarry Bair Pc

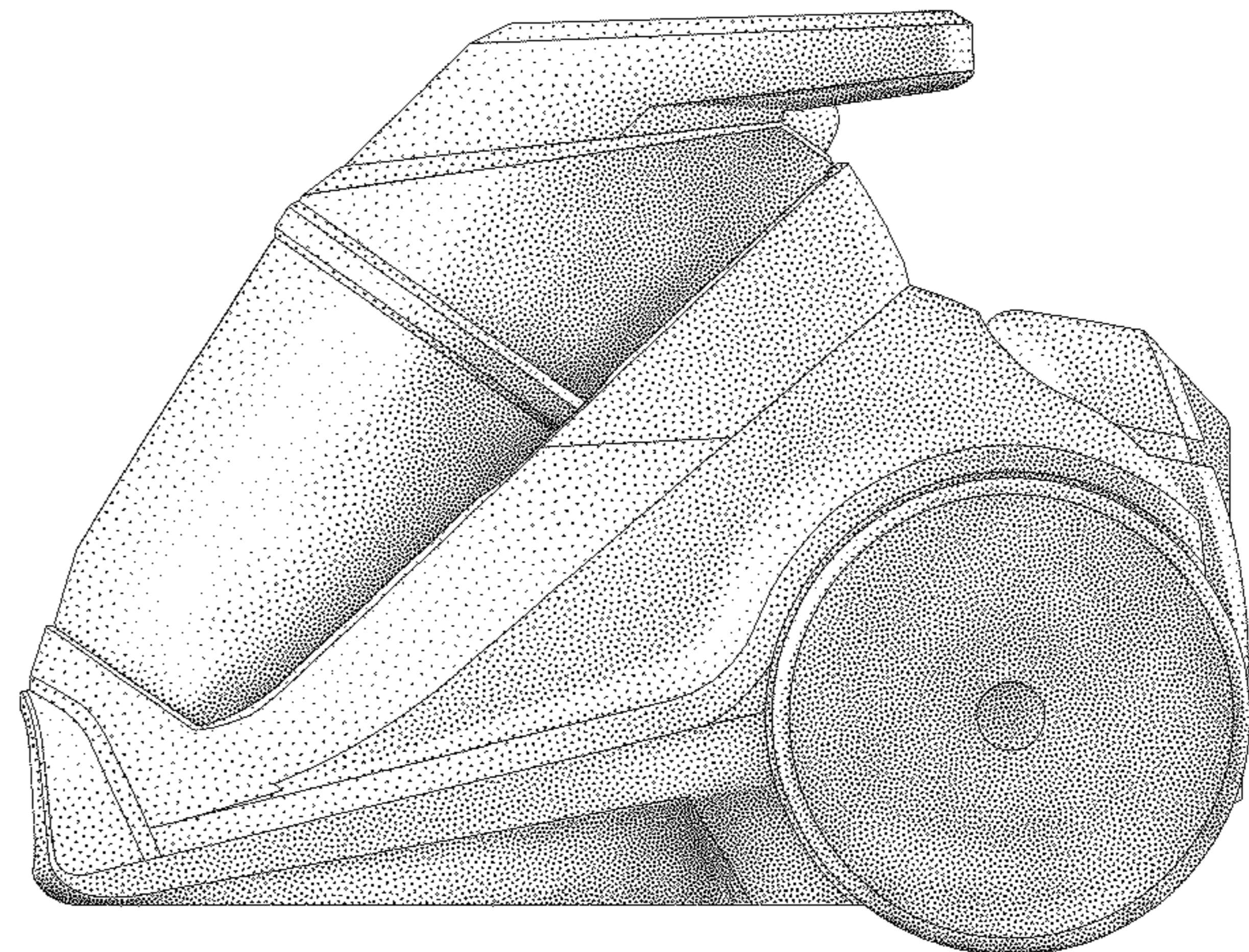
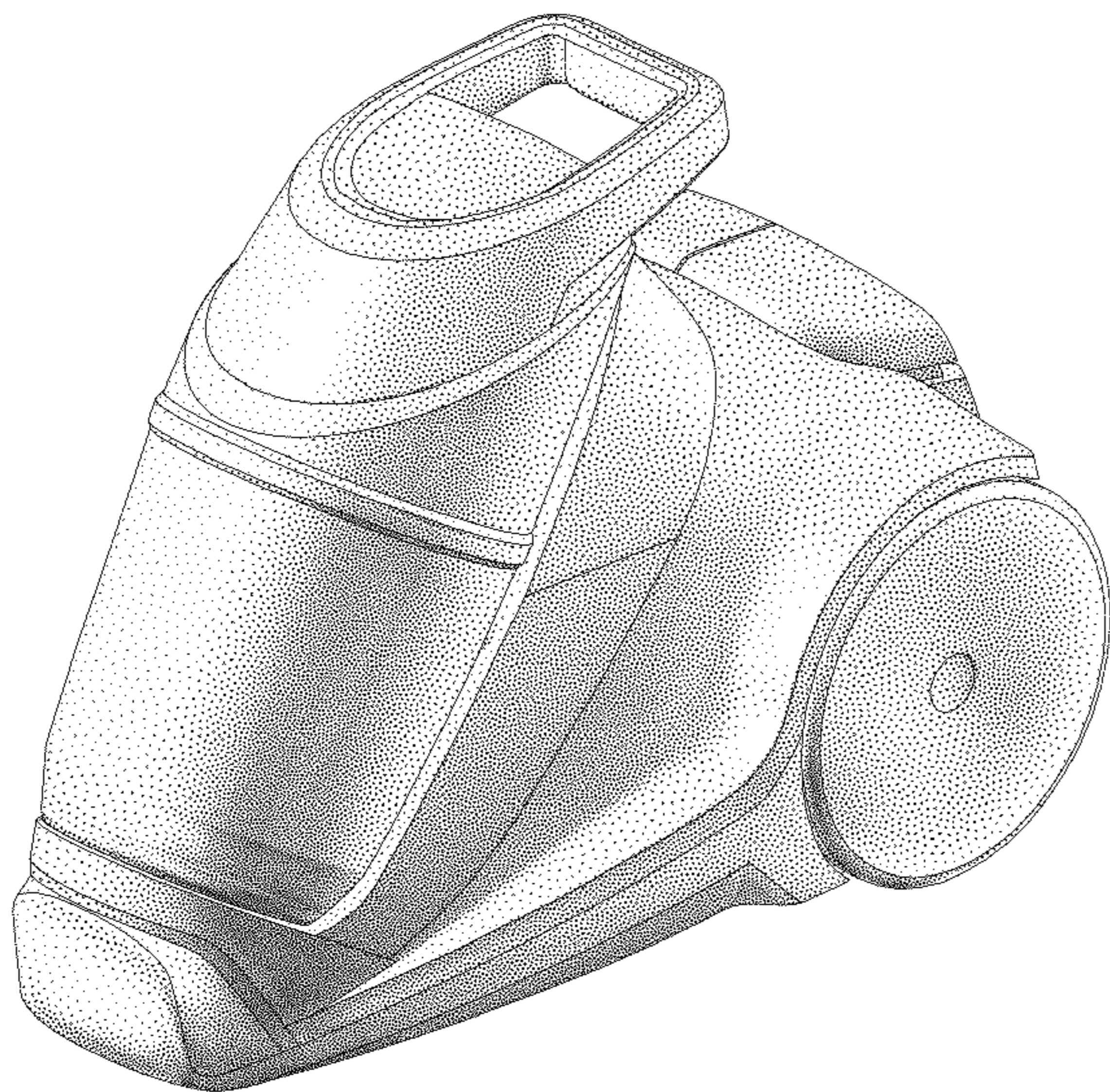
(57) **CLAIM**

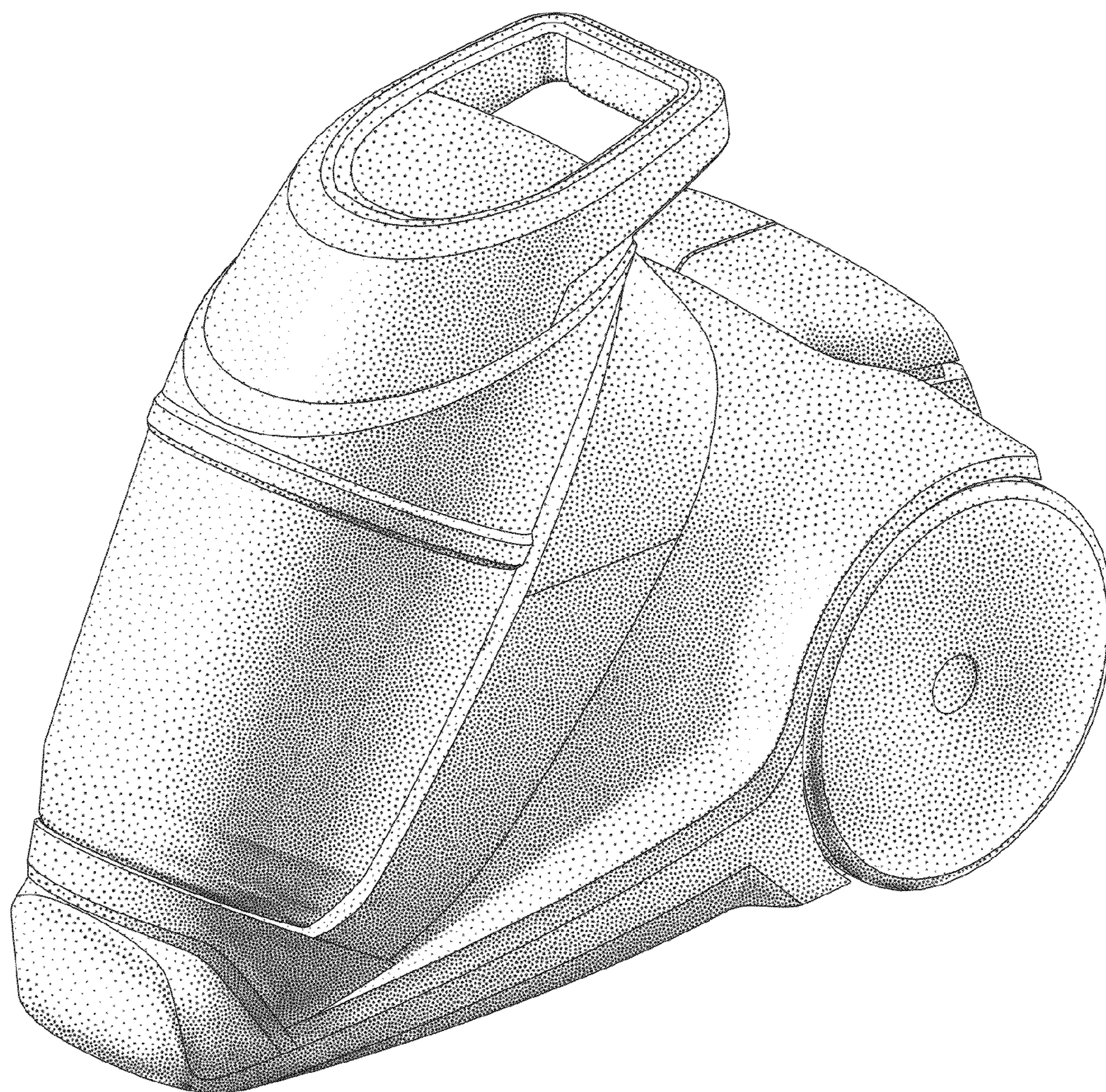
The ornamental design for a floor cleaner canister, as shown and described.

**DESCRIPTION**

FIG. 1 is a front, right perspective view of a floor cleaning canister showing our new design;  
FIG. 2 is a front view thereof;  
FIG. 3 is a rear view thereof;  
FIG. 4 is a right side view thereof, the left side being a mirror image; and,  
FIG. 5 is a top view thereof.

**1 Claim, 4 Drawing Sheets**





**FIG. 1**

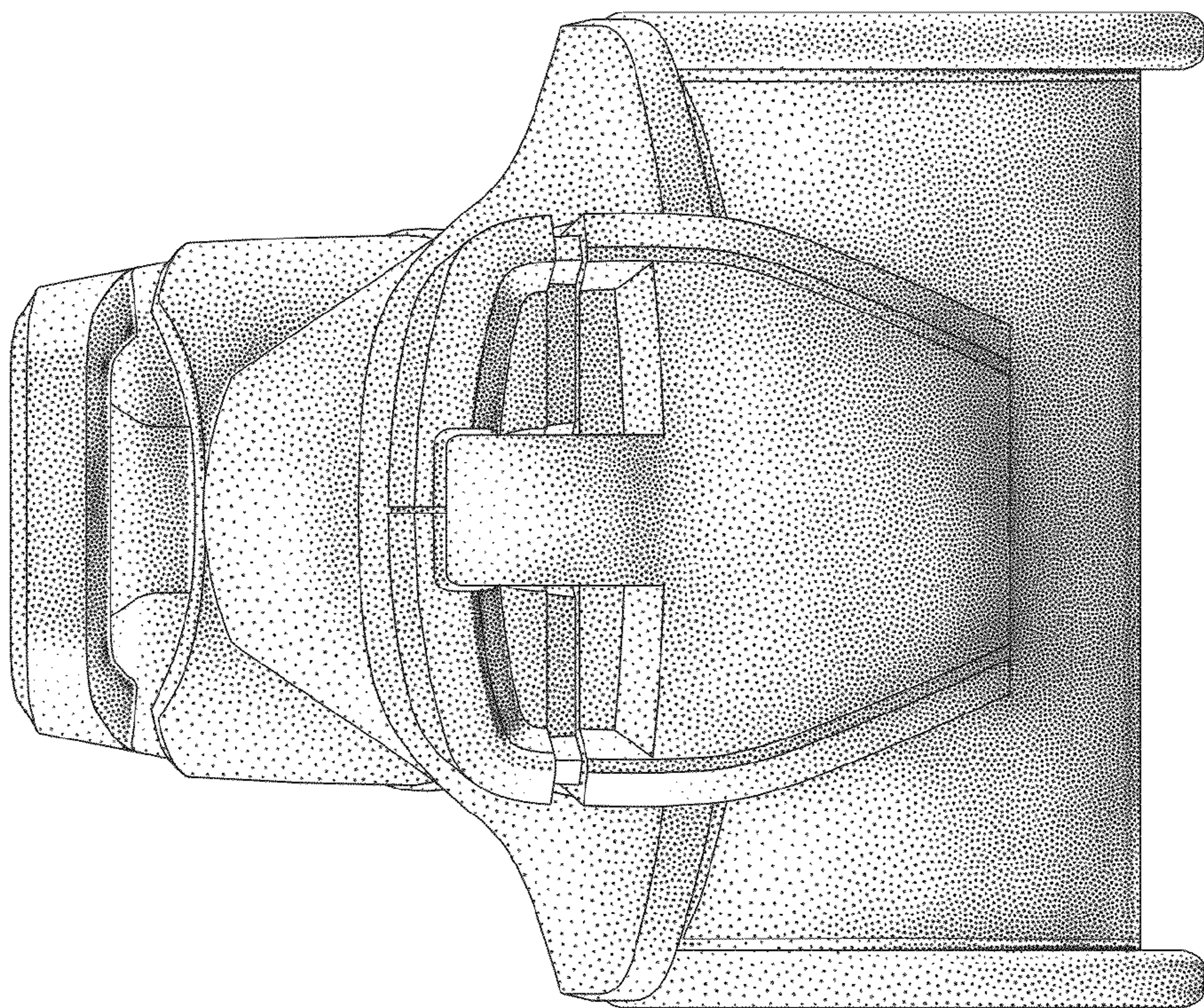


FIG. 3

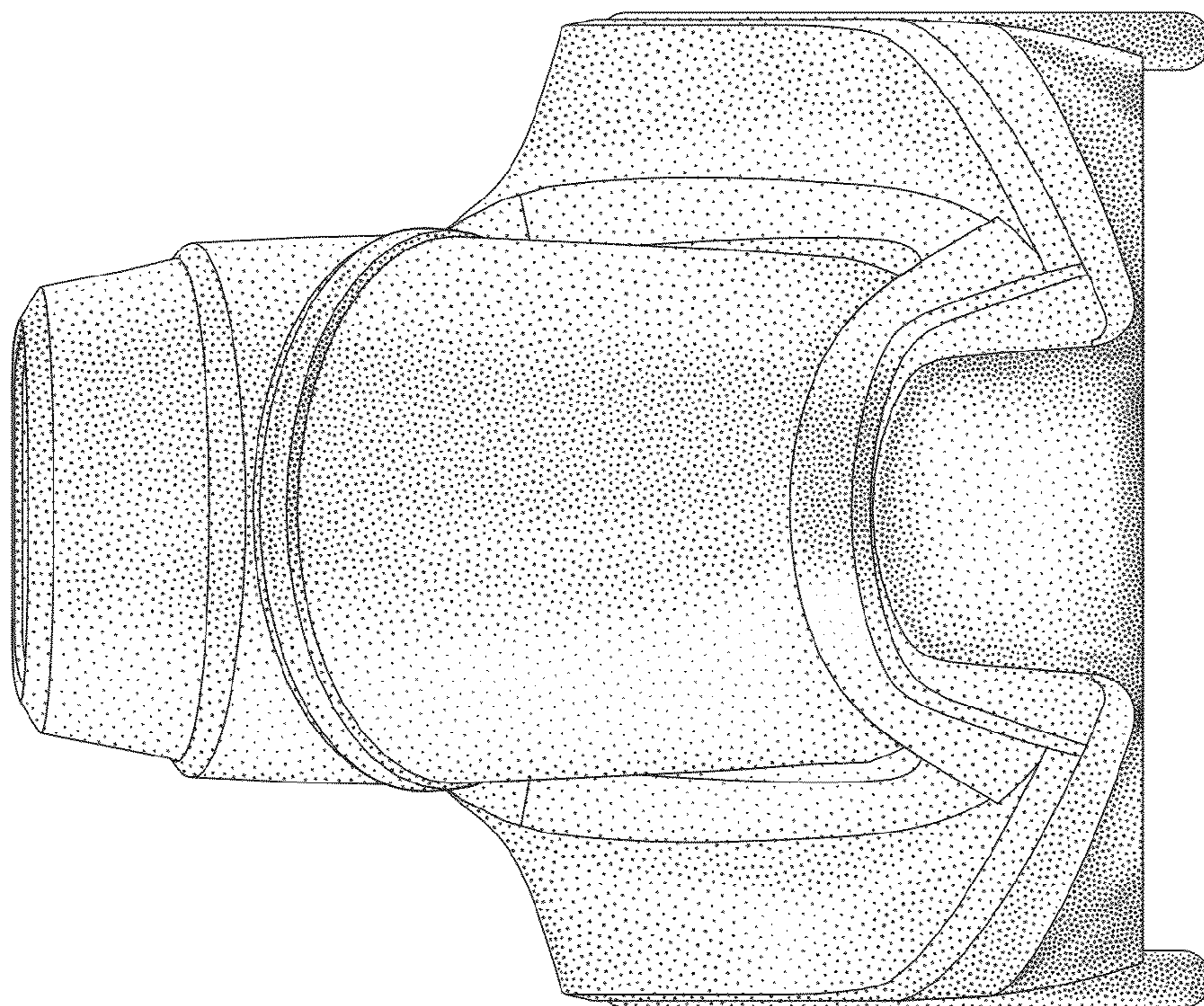


FIG. 2

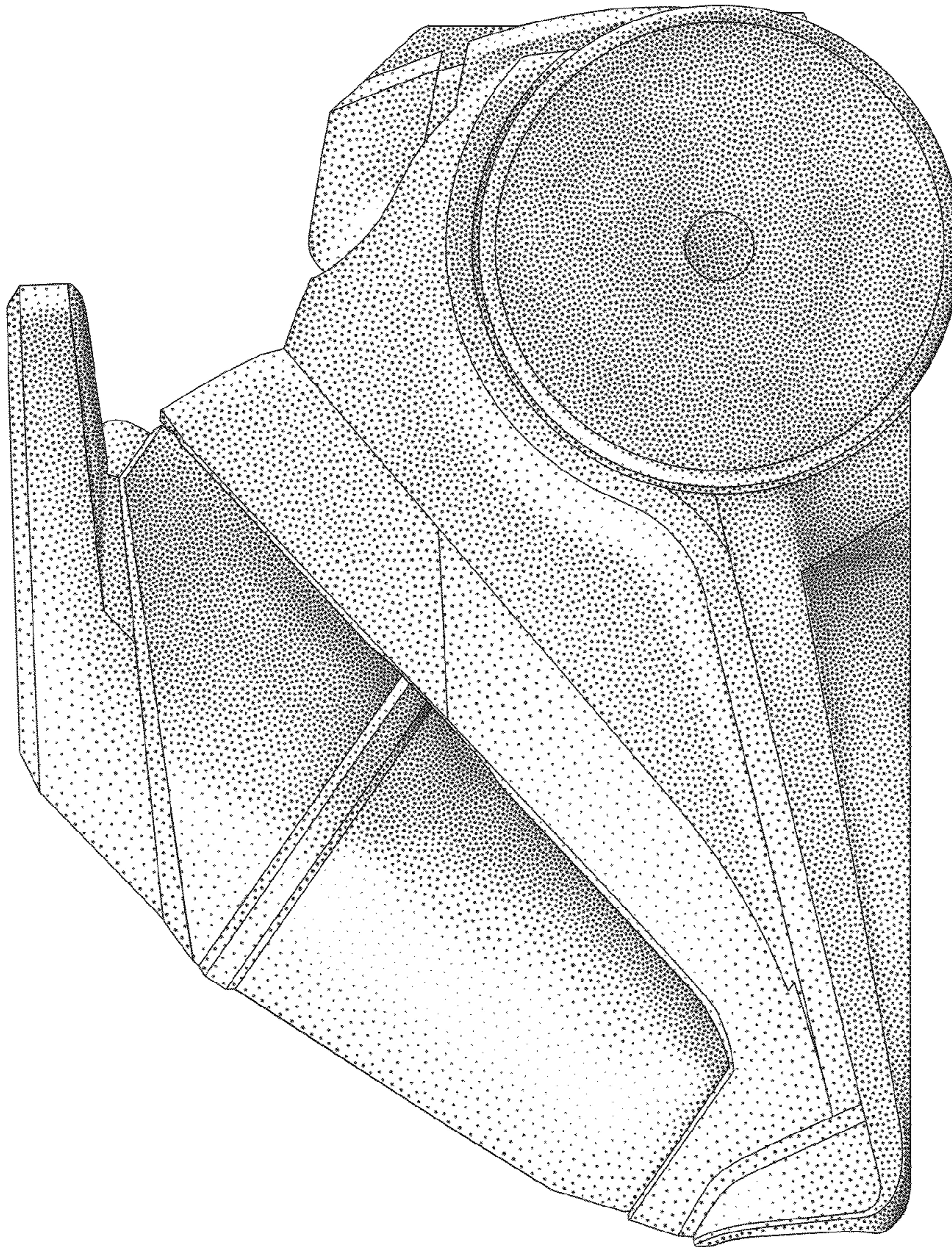


FIG. 4

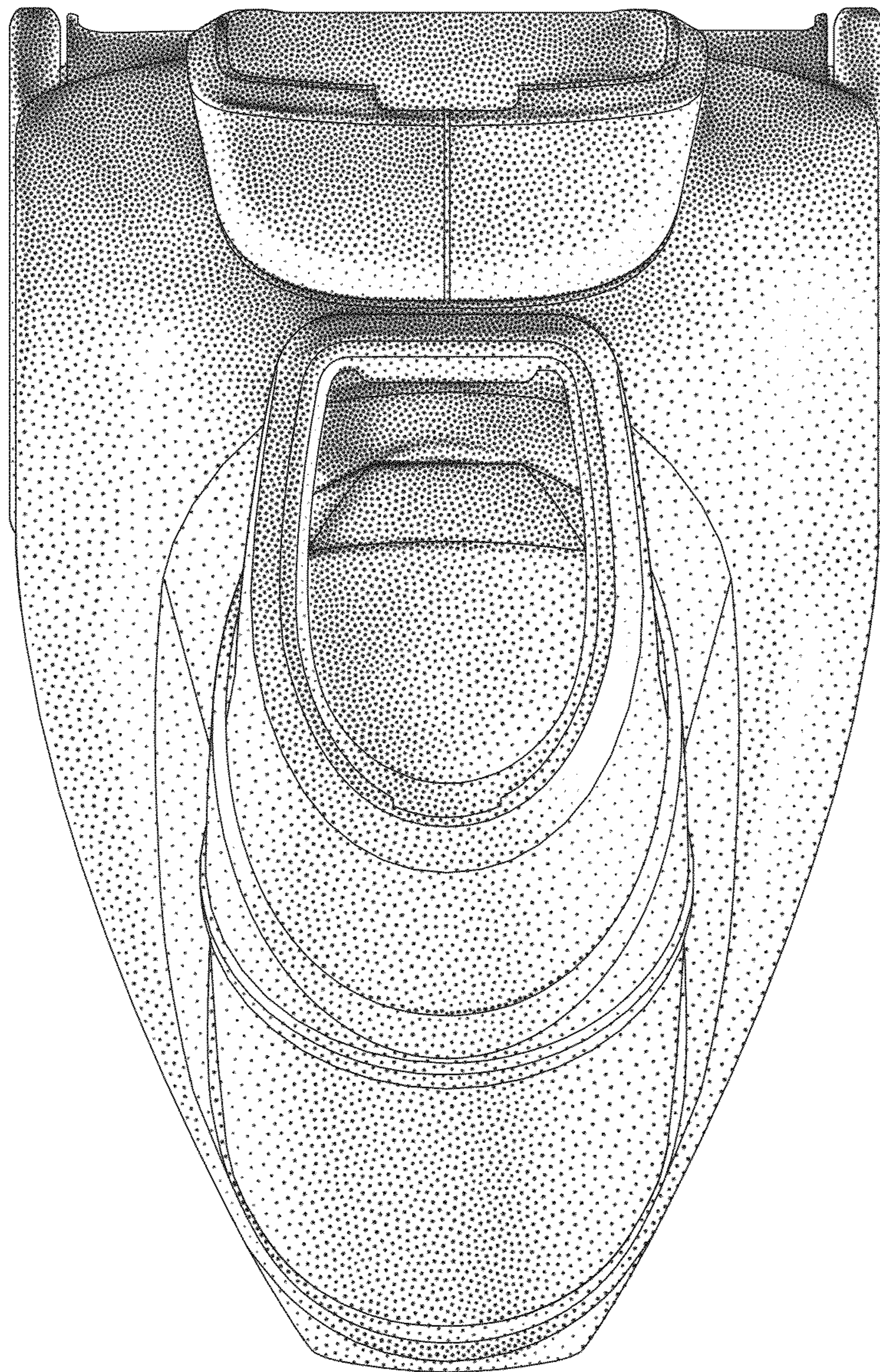


FIG. 5