



US00D708406S

(12) **United States Design Patent**
Eng

(10) **Patent No.:** **US D708,406 S**

(45) **Date of Patent:** **** Jul. 1, 2014**

(54) **DISHWASHER DOOR CONTROL PANEL AND HANDLE**

D670,457 S * 11/2012 Eng D32/3
D672,101 S * 12/2012 Eng et al. D32/3
D673,742 S * 1/2013 Eng et al. D32/2

(Continued)

(71) Applicant: **BSH Home Appliances Corporation**,
Irvine, CA (US)

Primary Examiner — T. Chase Nelson

Assistant Examiner — Kathleen M Sims

(72) Inventor: **Lindsay Eng**, Long Beach, CA (US)

(74) *Attorney, Agent, or Firm* — James E. Howard; Andre Pallapies

(73) Assignee: **BSH Home Appliances Corporation**,
Irvine, CA (US)

(57) **CLAIM**

The ornamental design for a dishwasher door control panel and handle, as shown and described.

(**) Term: **14 Years**

DESCRIPTION

(21) Appl. No.: **29/470,193**

FIG. 1 is a front view of a dishwasher door control panel and handle according to a first embodiment showing my new ornamental design;

(22) Filed: **Oct. 18, 2013**

FIG. 2 is a front perspective view thereof;

(51) **LOC (10) Cl.** **15-05**

FIG. 3 is a cross section taken along lines 3-3 of FIG. 1;

(52) **U.S. Cl.**

FIG. 4 is a cross section taken along lines 4-4 of FIG. 1;

USPC **D32/3**

FIG. 5 is a front view of a dishwasher door control panel and handle according to a second embodiment showing our new ornamental design;

(58) **Field of Classification Search**

USPC D32/1-3, 25, 28; D7/340, 348-350,

D7/405; 312/31, 109, 228; 134/56 D, 57 D,

134/58 D, 58 DL, 201

See application file for complete search history.

FIG. 6 is a front perspective view thereof;

FIG. 7 is a cross section taken along lines 7-7 of FIG. 5;

FIG. 8 is a cross section taken along lines 8-8 of FIG. 5;

FIG. 9 is a front view of a dishwasher door control panel and handle according to a third embodiment showing our new ornamental design;

FIG. 10 is a front perspective view thereof from the bottom;

FIG. 11 is a cross section taken along lines 11-11 of FIG. 9; and,

FIG. 12 is a cross section taken along lines 12-12 of FIG. 9.

The broken line showing of dishwasher details in FIGS. 1-12 is included for the purpose of showing environmental portions of the dishwasher door control panel and handle and forms no part of the claimed design.

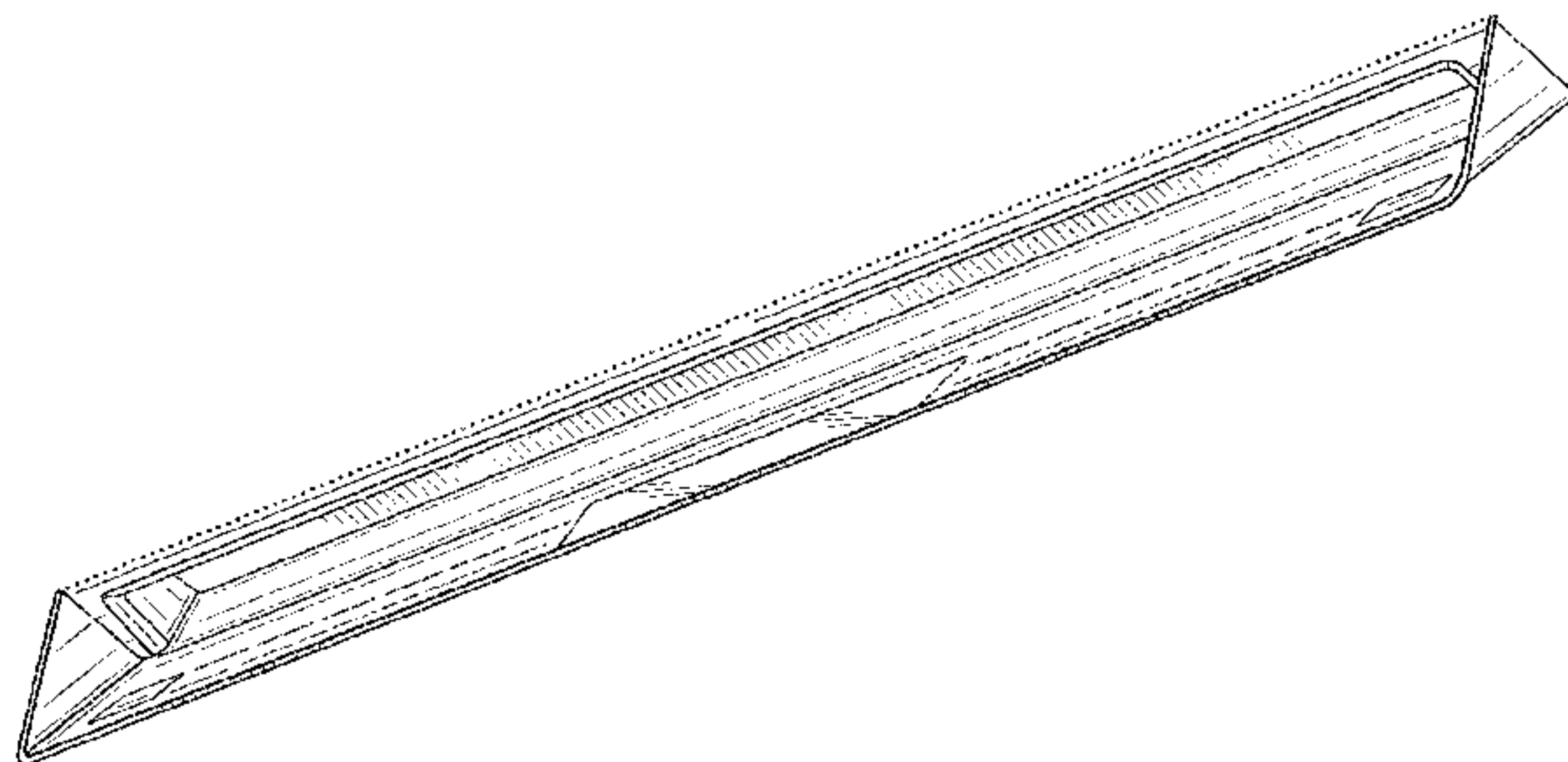
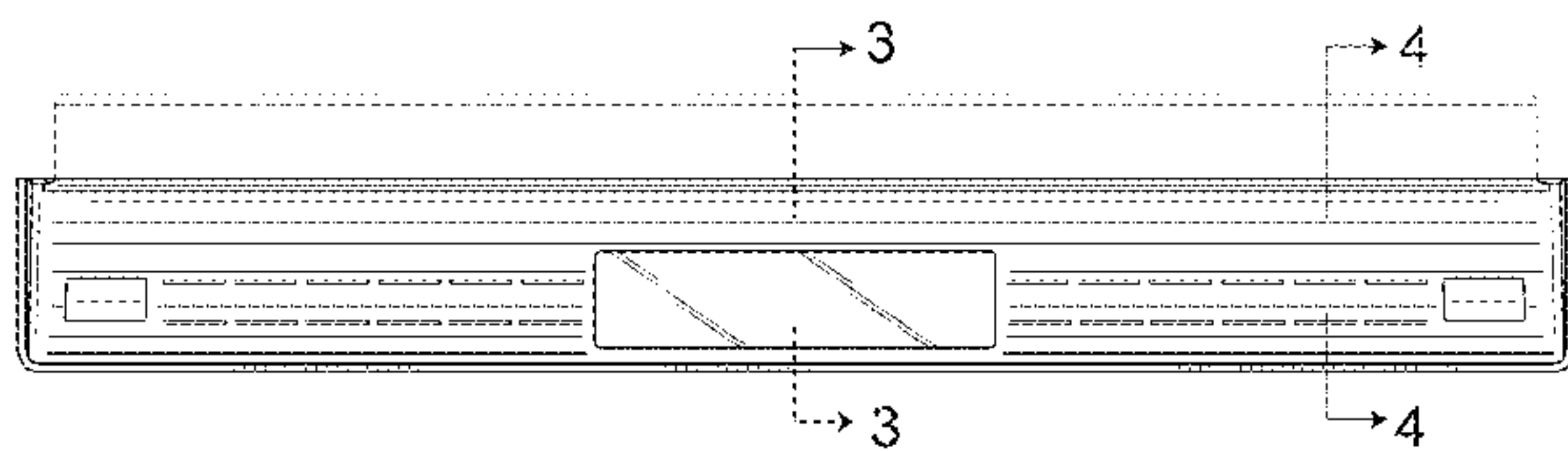
The bottom and rear parts of the dishwasher door are unornamented and form no part of the claimed design.

(56) **References Cited**

U.S. PATENT DOCUMENTS

D424,257 S *	5/2000	Umeda et al.	D32/2
6,893,061 B2 *	5/2005	Miller et al.	292/303
7,216,944 B2 *	5/2007	Oyler et al.	312/311
D627,937 S *	11/2010	Kim	D32/2
D665,956 S *	8/2012	Eng et al.	D32/2
D665,957 S *	8/2012	Eng et al.	D32/2
D668,402 S *	10/2012	Eng et al.	D32/3
D668,403 S *	10/2012	Eng et al.	D32/3
D668,404 S *	10/2012	Eng et al.	D32/3

1 Claim, 3 Drawing Sheets



US D708,406 S

Page 2

(56)

References Cited

U.S. PATENT DOCUMENTS

D684,735 S * 6/2013 Eng et al. D32/3
D684,736 S * 6/2013 Eng et al. D32/3
D685,149 S * 6/2013 Eng et al. D32/3

D689,248 S * 9/2013 Eng D32/3
D692,628 S * 10/2013 Eng et al. D32/2
D693,070 S * 11/2013 Eng et al. D32/3
2003/0030288 A1 * 2/2003 Miller et al. 292/303

* cited by examiner

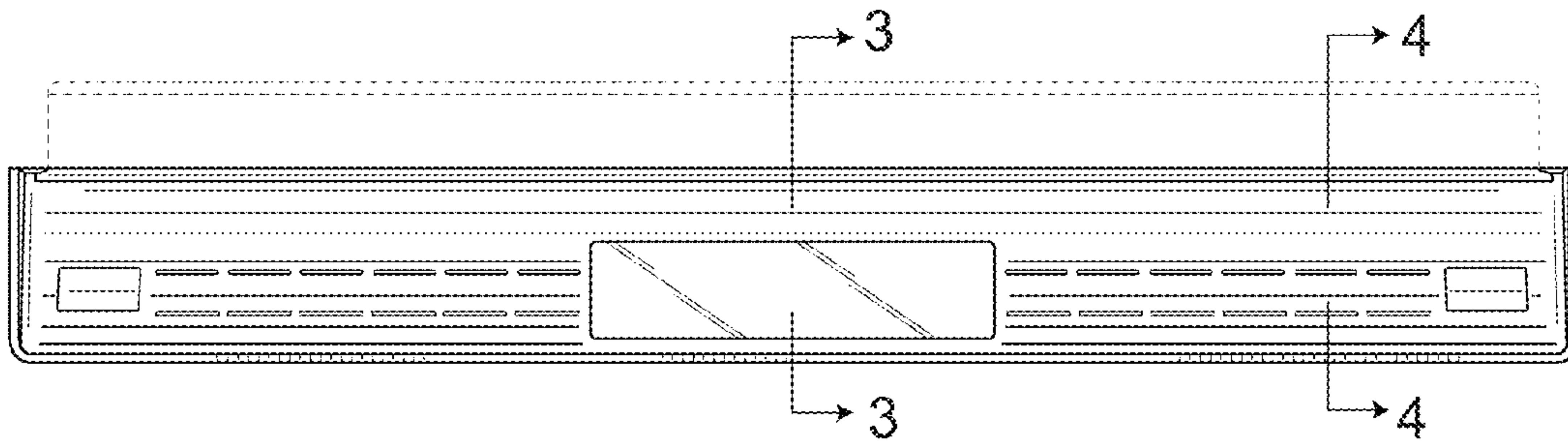


Fig. 1

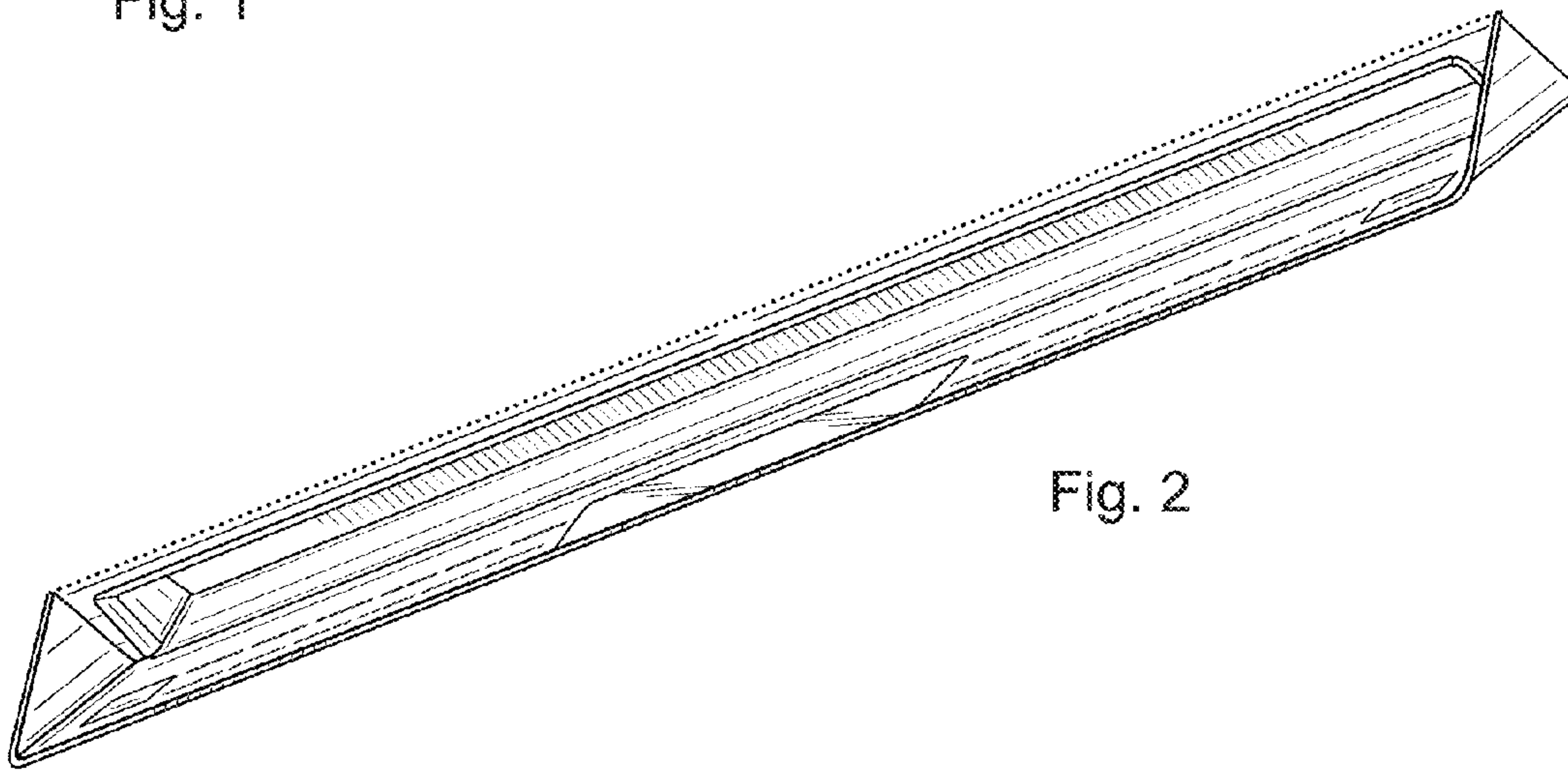


Fig. 2

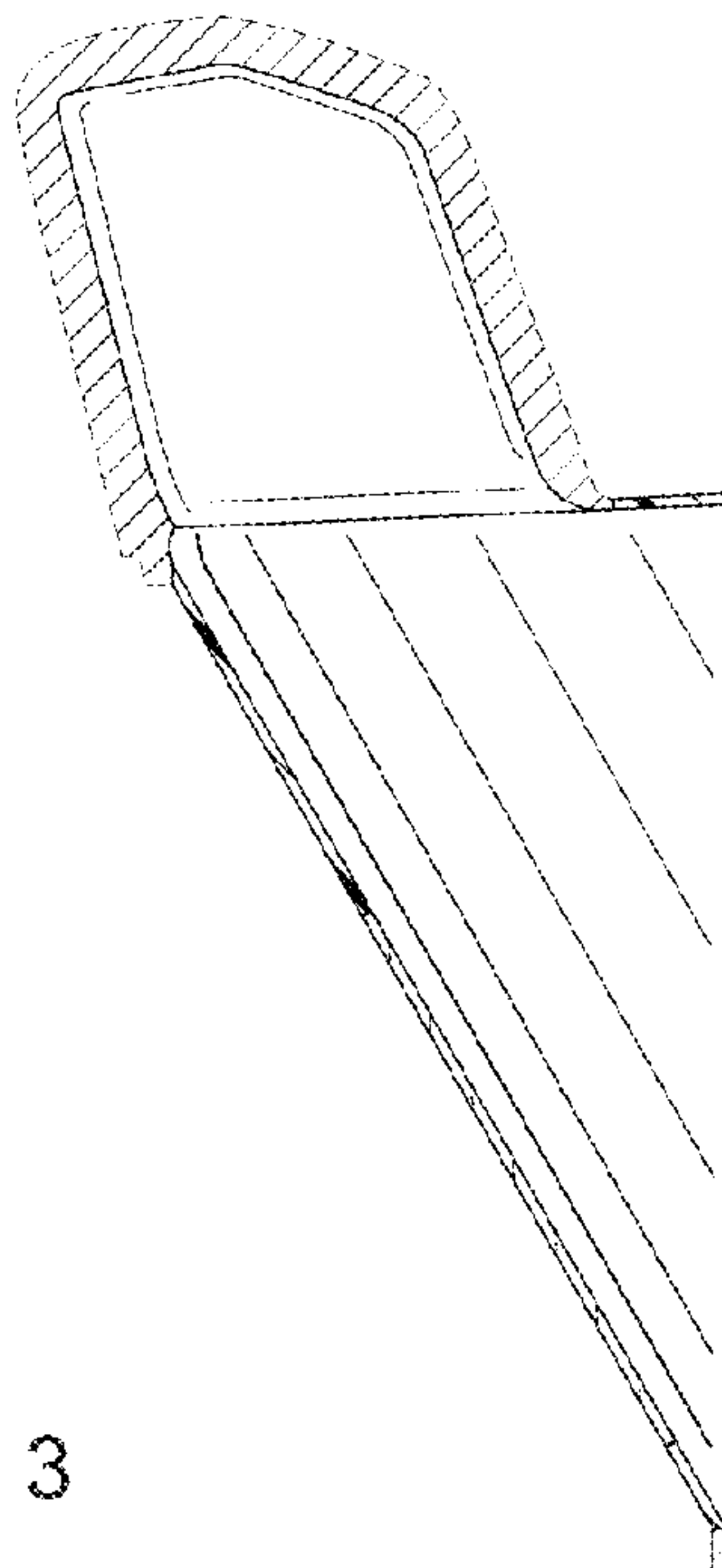


Fig. 3

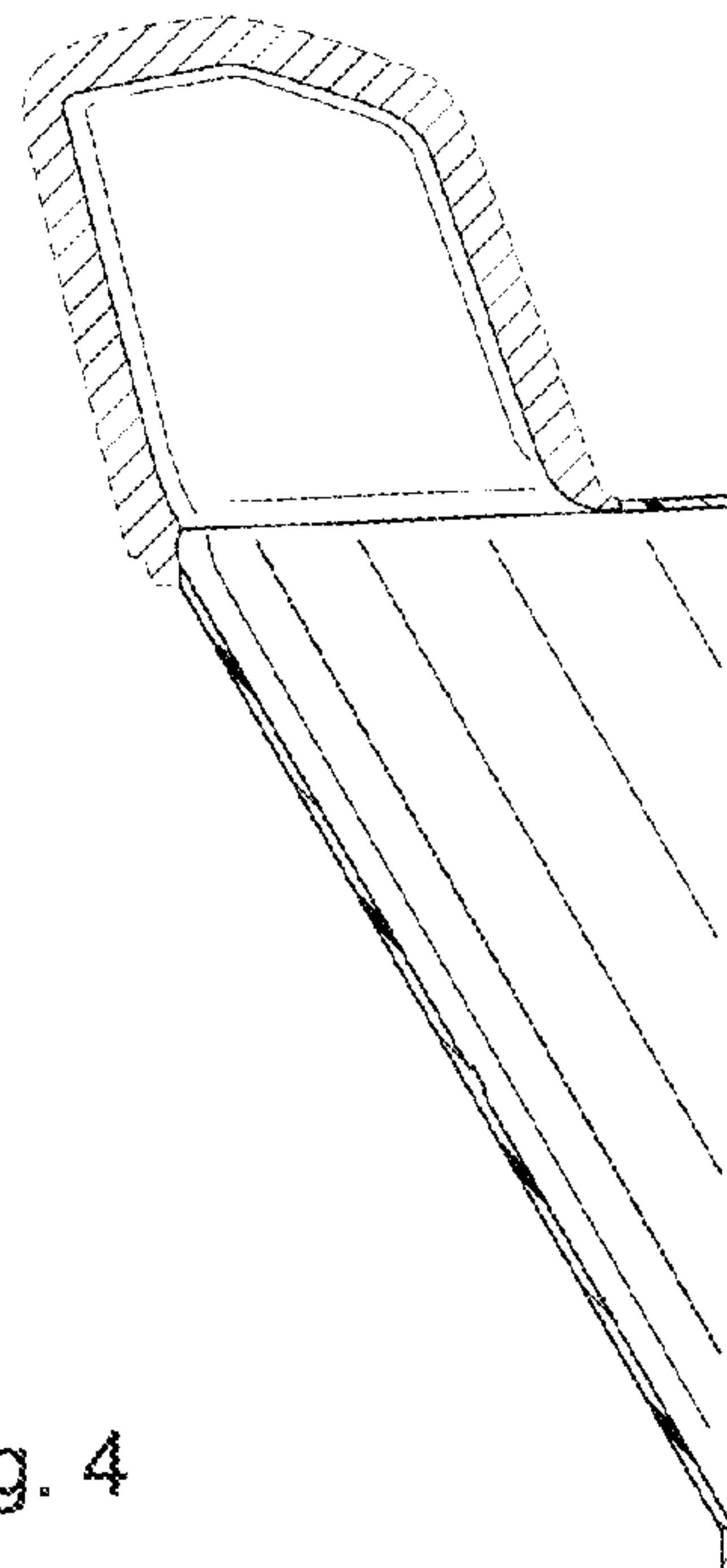


Fig. 4

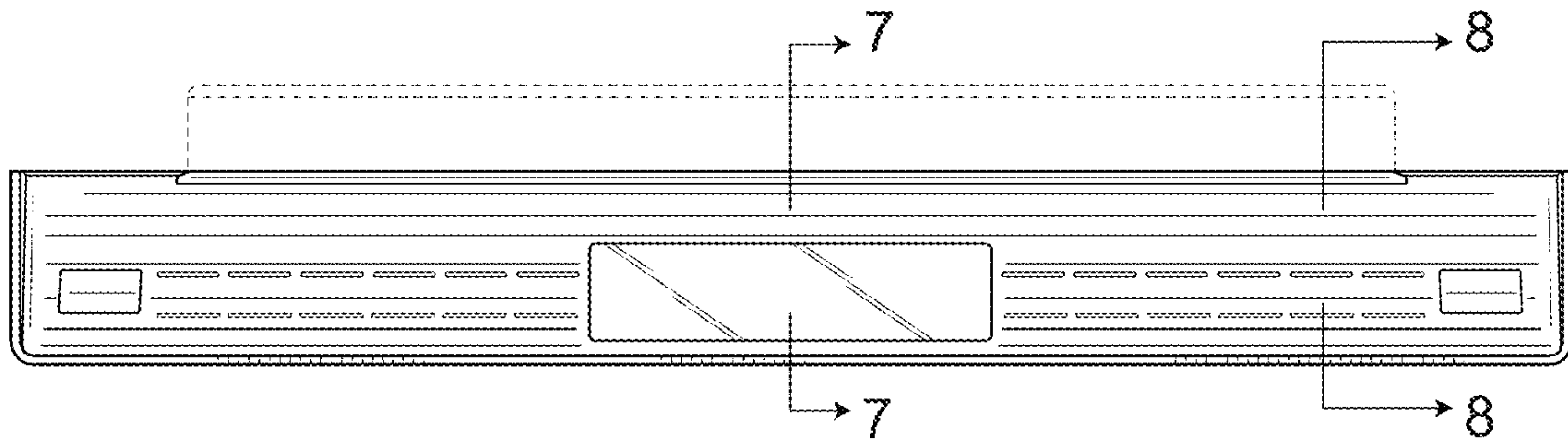


Fig. 5

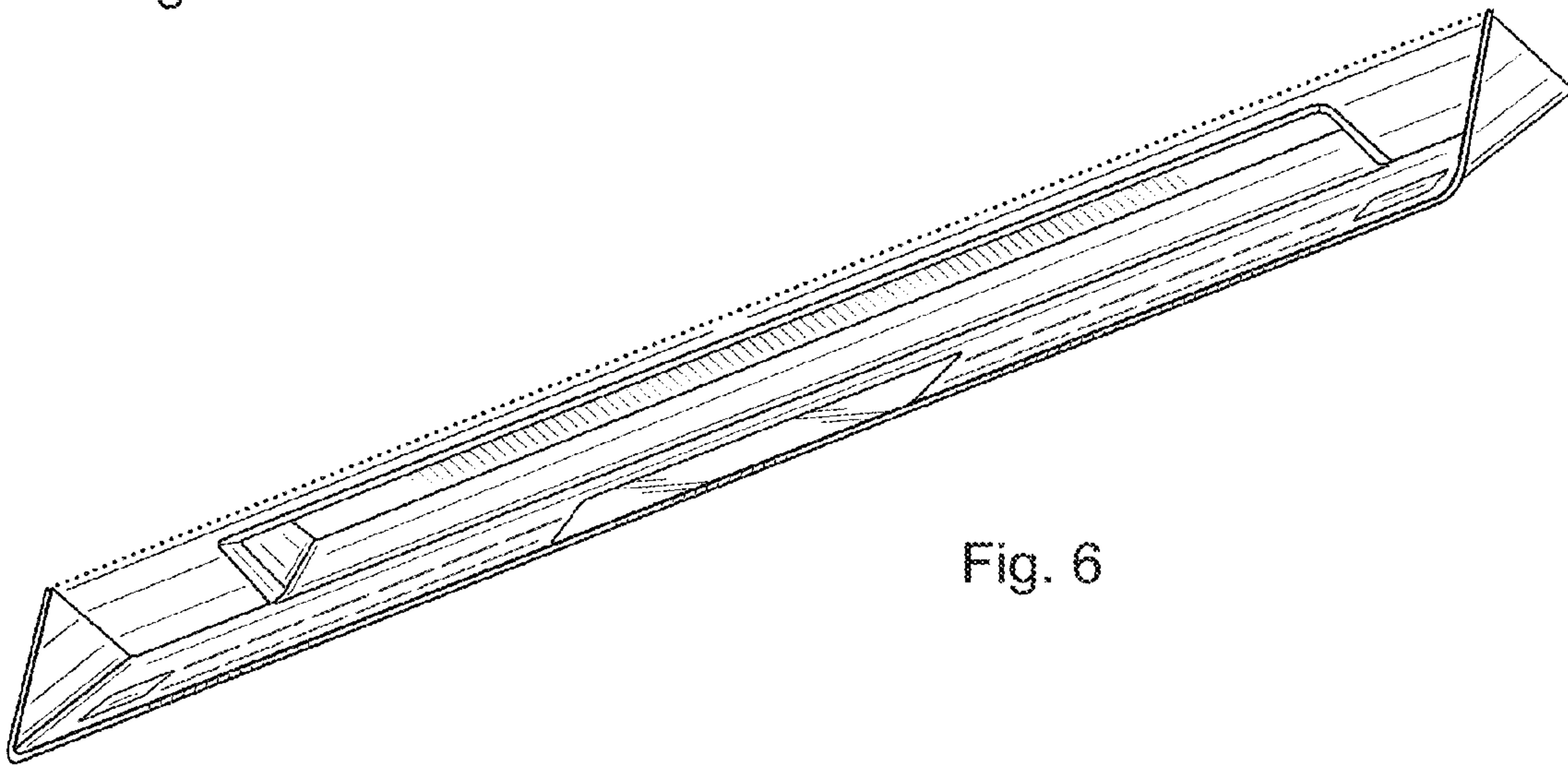


Fig. 6

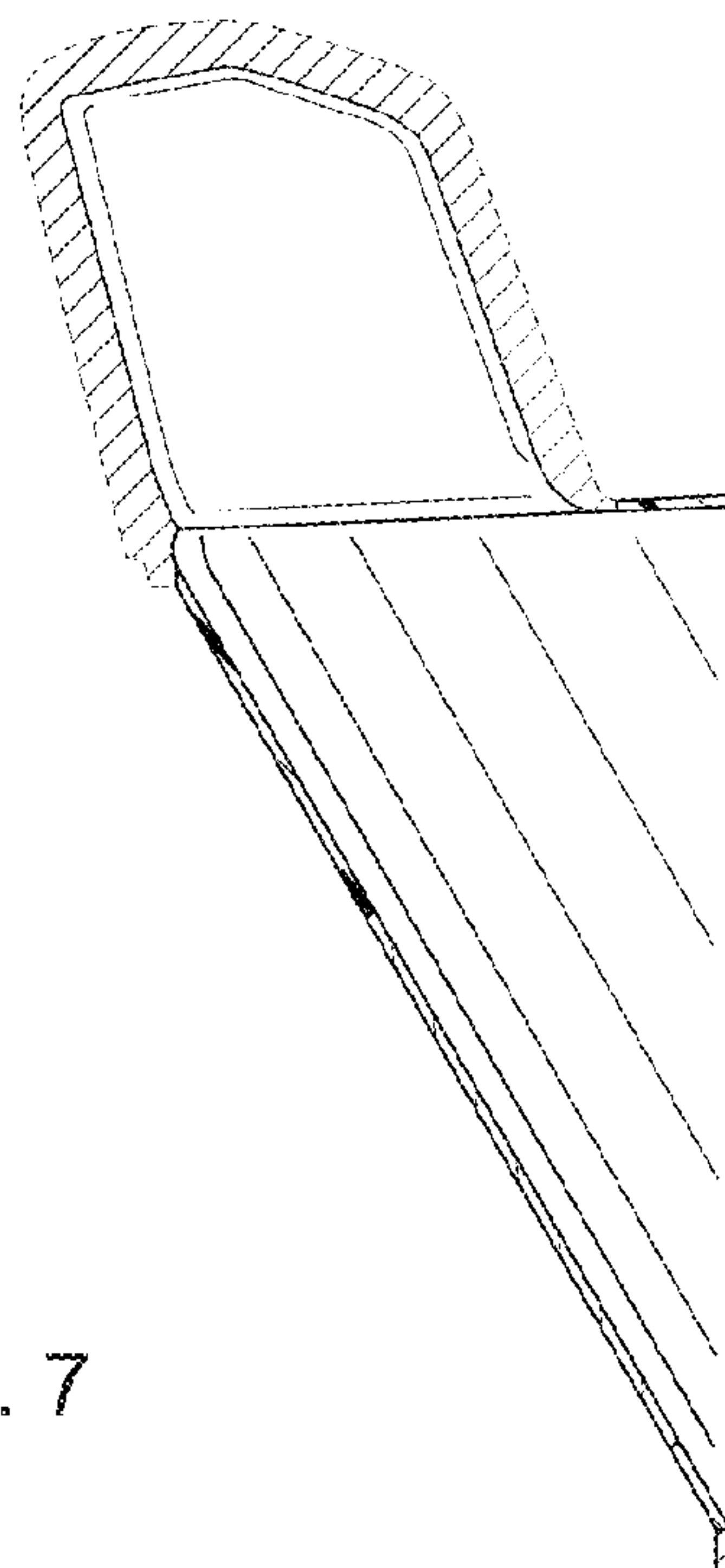


Fig. 7

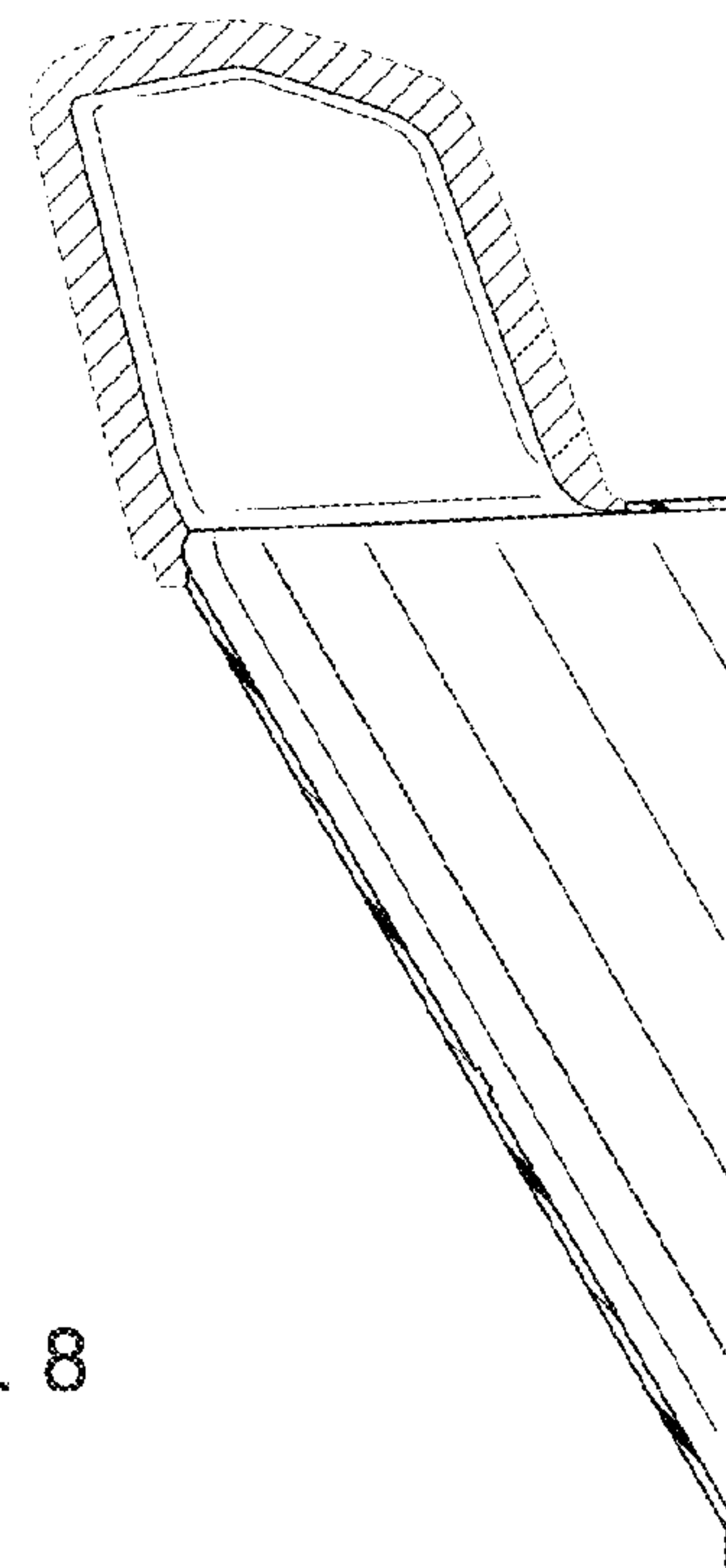


Fig. 8

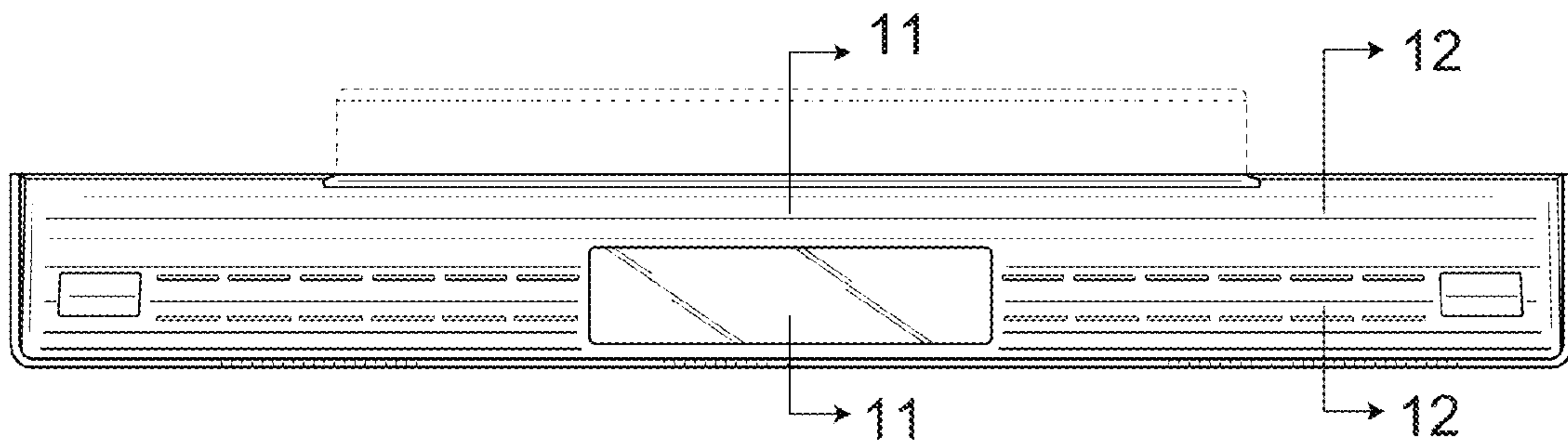


Fig. 9

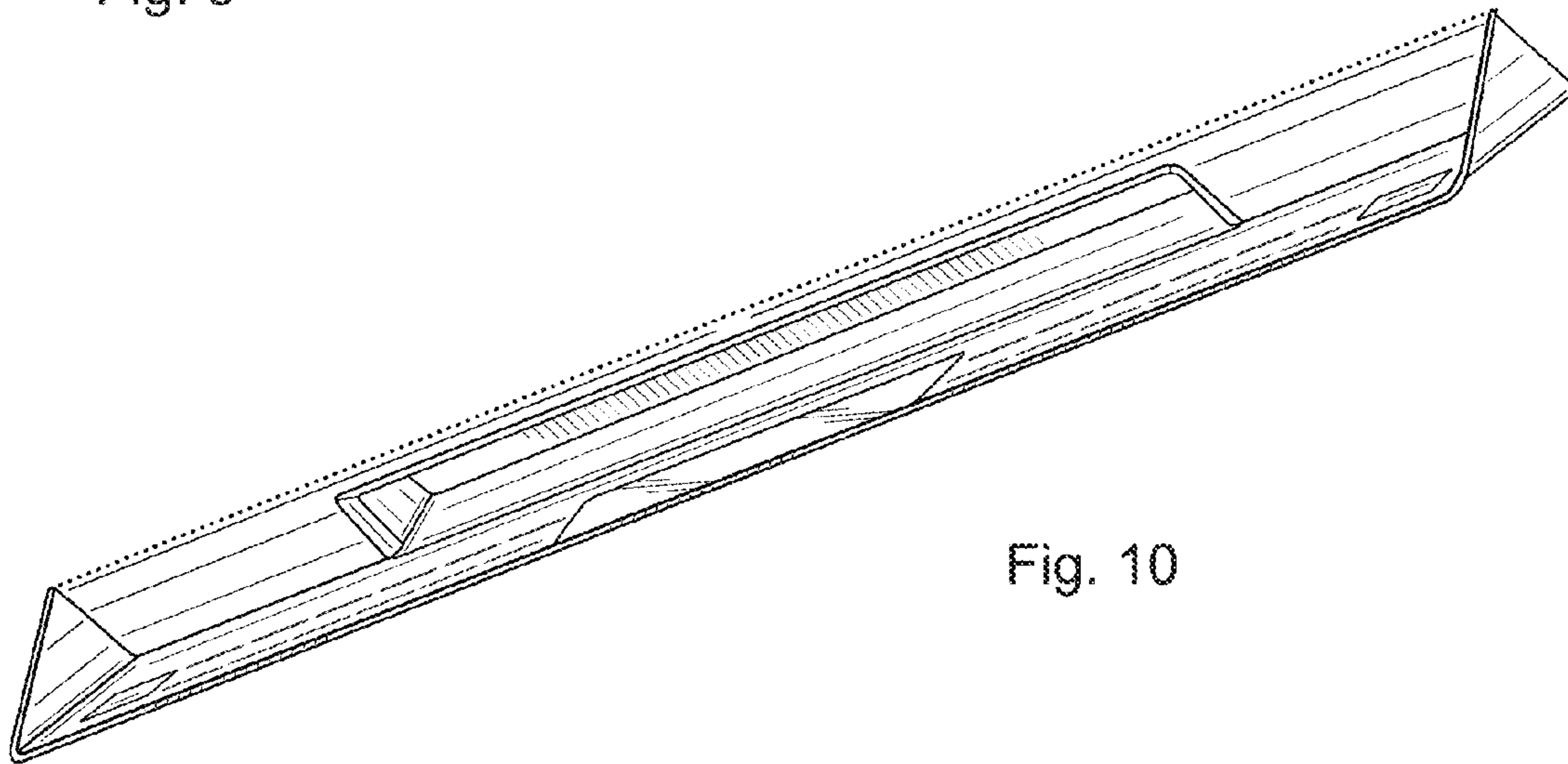


Fig. 10

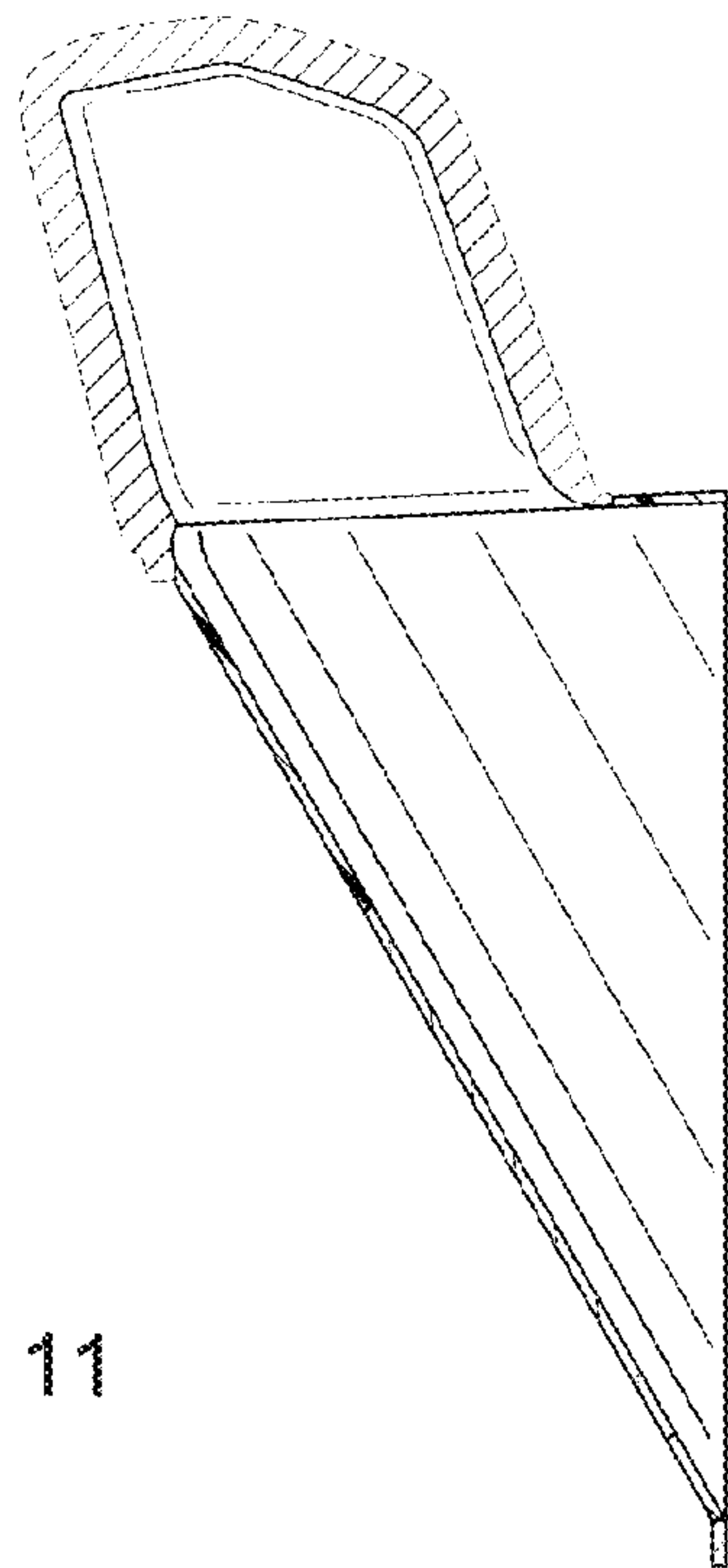


Fig. 11



Fig. 12