



US00D708405S

(12) **United States Design Patent**
Sikora

(10) **Patent No.:** **US D708,405 S**

(45) **Date of Patent:** **** Jul. 1, 2014**

(54) **CAT SCRATCHER**

(71) Applicant: **Target Brands, Inc.**, Minneapolis, MN (US)

(72) Inventor: **Elyse Sikora**, Minneapolis, MN (US)

(73) Assignee: **Target Brands, Inc.**, Minneapolis, MN (US)

(**) Term: **14 Years**

(21) Appl. No.: **29/468,146**

(22) Filed: **Sep. 26, 2013**

(51) **LOC (10) Cl.** **30-99**

(52) **U.S. Cl.**
USPC **D30/160**

(58) **Field of Classification Search**
USPC D30/118, 160; D6/349; 119/28.5, 702, 119/706; 297/423.27, 423.41, 423.46
See application file for complete search history.

(56) **References Cited**

U.S. PATENT DOCUMENTS

3,482,548	A	12/1969	Burns	
3,993,027	A	11/1976	Mullin	
4,359,245	A *	11/1982	Franke	297/284.1
D299,297	S *	1/1989	Prager	D6/601
D364,202	S *	11/1995	Benson	D21/686
D381,855	S *	8/1997	Galick	D6/601
D453,977	S	2/2002	Park et al.	
D589,657	S	3/2009	Lamstein	
D627,524	S	11/2010	Seliskar	
D627,525	S *	11/2010	Seliskar	D30/160
D633,662	S *	3/2011	Seliskar	D30/160
D644,795	S	9/2011	Haaf	
D644,796	S	9/2011	Haaf	
D648,078	S *	11/2011	Haaf	D30/160
D651,367	S	12/2011	Seliskar et al.	
D651,368	S *	12/2011	Seliskar et al.	D30/160
D651,369	S	12/2011	Seliskar et al.	

D651,371	S	12/2011	Seliskar et al.	
D651,770	S	1/2012	Seliskar et al.	
D652,179	S	1/2012	Haaf	
D653,820	S	2/2012	Haaf	
D655,464	S *	3/2012	Seliskar et al.	D30/160
D661,436	S	6/2012	Haaf et al.	
D663,490	S	7/2012	Haaf et al.	
D663,493	S	7/2012	Haaf et al.	
D663,905	S	7/2012	Haaf et al.	
D667,177	S	9/2012	Roberts	
D696,821	S *	12/2013	Haaf	D30/160

OTHER PUBLICATIONS

“Hanging Holiday Candy Cane Cat Scratcher”, printed from www.bigappleherp.com/Hanging-Holiday-Candy-Cane-Cat-Scratcher, publicly available at least as early as Nov. 17, 2011, per http://web.archive.org (1 page).

(Continued)

Primary Examiner — Cathy A MacCormac
(74) *Attorney, Agent, or Firm* — Griffiths & Seaton PLLC; JoAnn M. Seaton

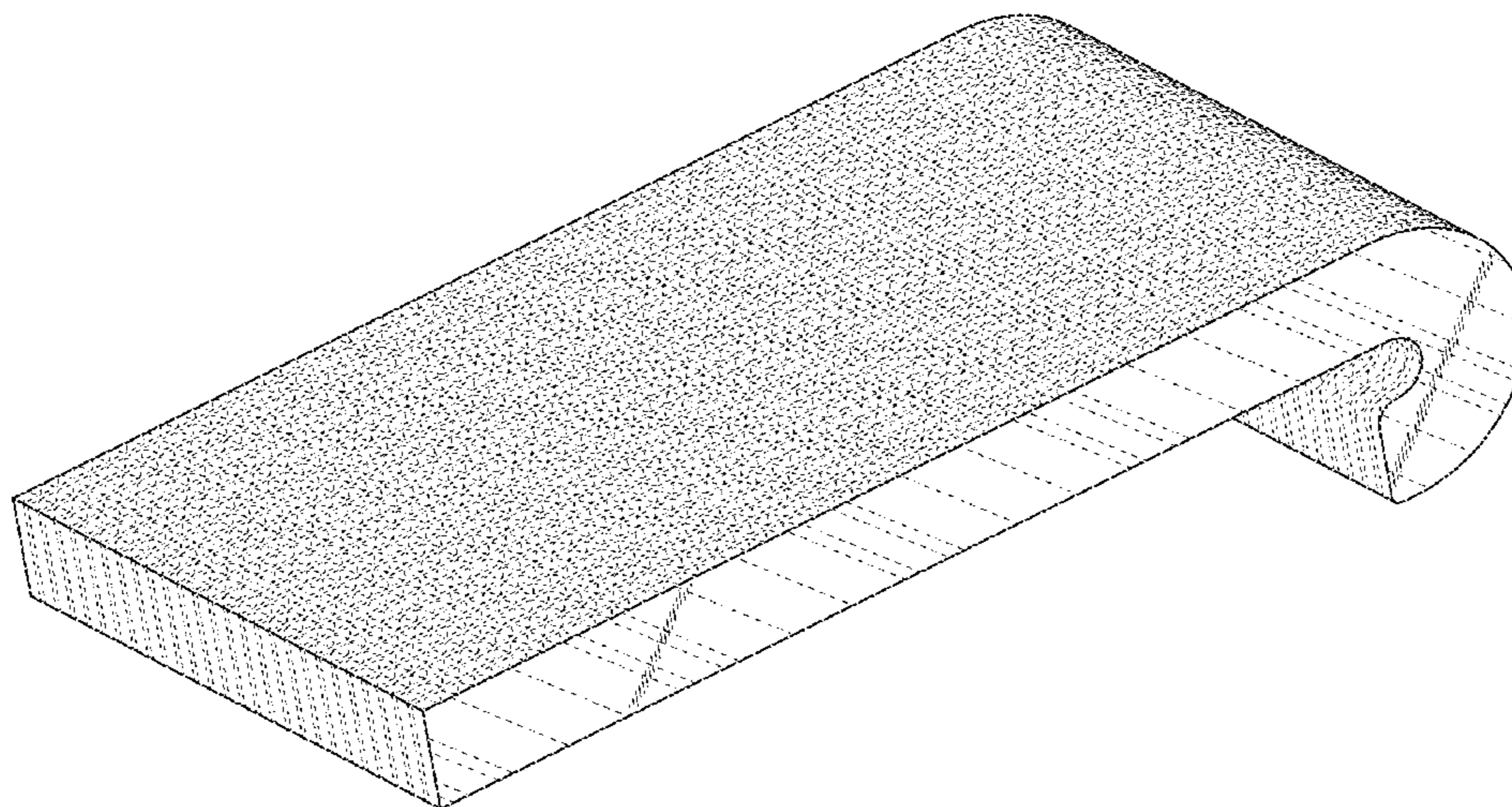
(57) **CLAIM**

The ornamental design for a cat scratcher, as shown and described.

DESCRIPTION

FIG. 1 is a front, perspective view of a cat scratcher showing our new design;
FIG. 2 is a front view thereof;
FIG. 3 is a rear view thereof;
FIG. 4 is a right side view thereof
FIG. 5 is a left side view thereof;
FIG. 6 is a top view thereof; and,
FIG. 7 is a bottom view.
The features shown in broken lines are for illustration only and are portions of the cat scratcher forming no part of the claimed design.

1 Claim, 6 Drawing Sheets



(56)

References Cited

OTHER PUBLICATIONS

“Spread Feline Cheer with Imperial Cat Scratchers”, printed from www.examiner.com/article/cats-love-their-scratchers, posted on Nov. 6, 2012 (3 pages).

“Holiday Cat Scratchers”, printed from www.nipandbones.com/holiday-cat-scratchers.html, publicly available at least as early as Jan. 20, 2012, per <http://web.archive.org> (2 pages).

“Imperial Cat Christmas Tree Recycled Paper Scratching Post”, printed from www.wayfair.com/Imperial-Cat-Christmas-Tree-Re-

[cycled-Paper-Scratching-Post-01021-IPC1041.html](http://www.wayfair.com/Imperial-Cat-Christmas-Tree-Recycled-Paper-Scratching-Post-01021-IPC1041.html), publicly available at least as early as Jun. 16, 2012, per <http://web.archive.org> (2 pages).

“Imperial Cat Santa’s Sleigh Recycled Paper Cat Scratching Board”, printed from www.wayfair.com/Imperial-Cat-Santas-Sleigh-Recycled-Paper-Cat-Scratching-Board-01132-IPC1038.html, publicly available at least as early as Jan. 11, 2010 (4 pages).

* cited by examiner

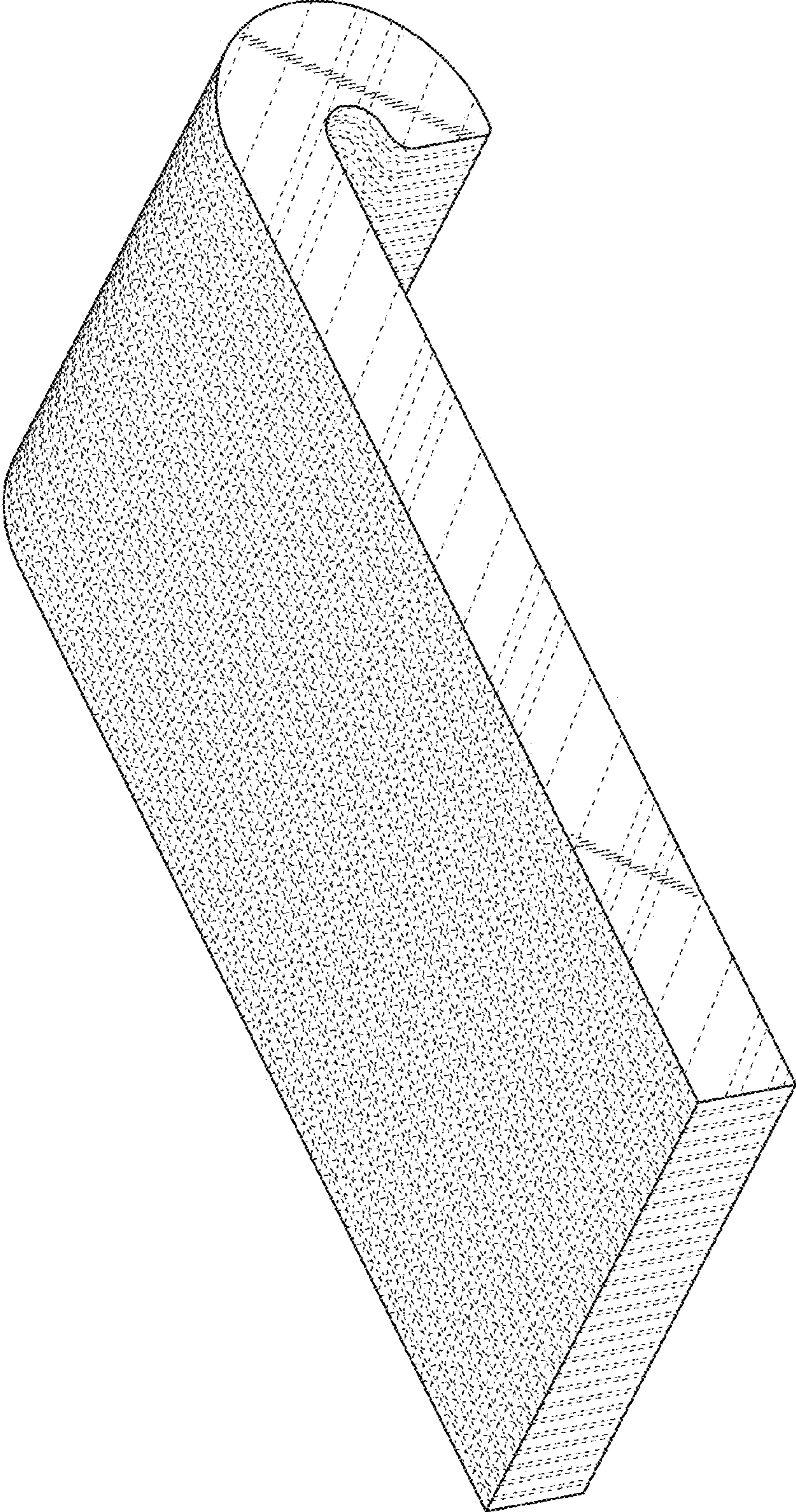


FIG. 1

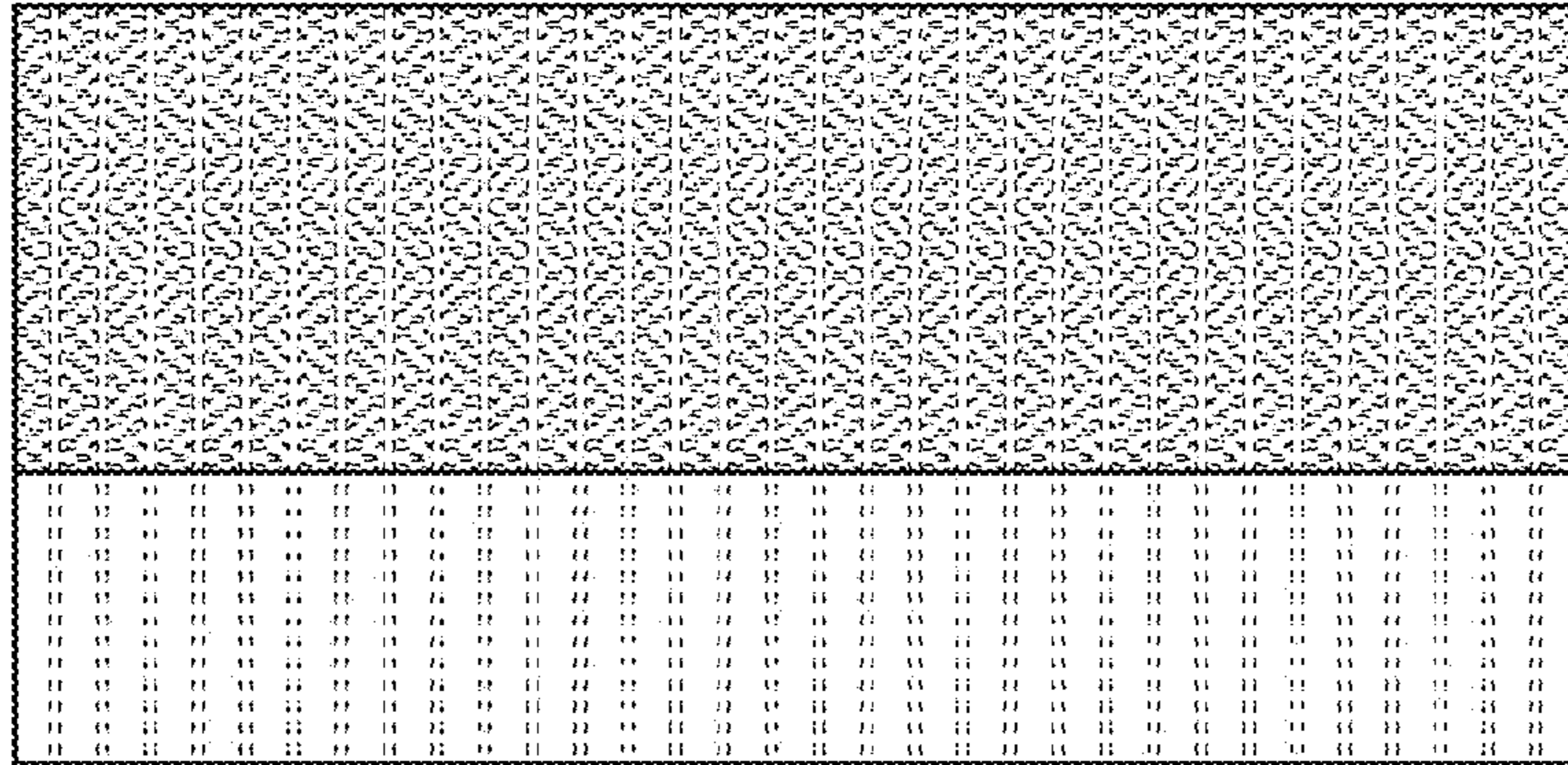


FIG. 2

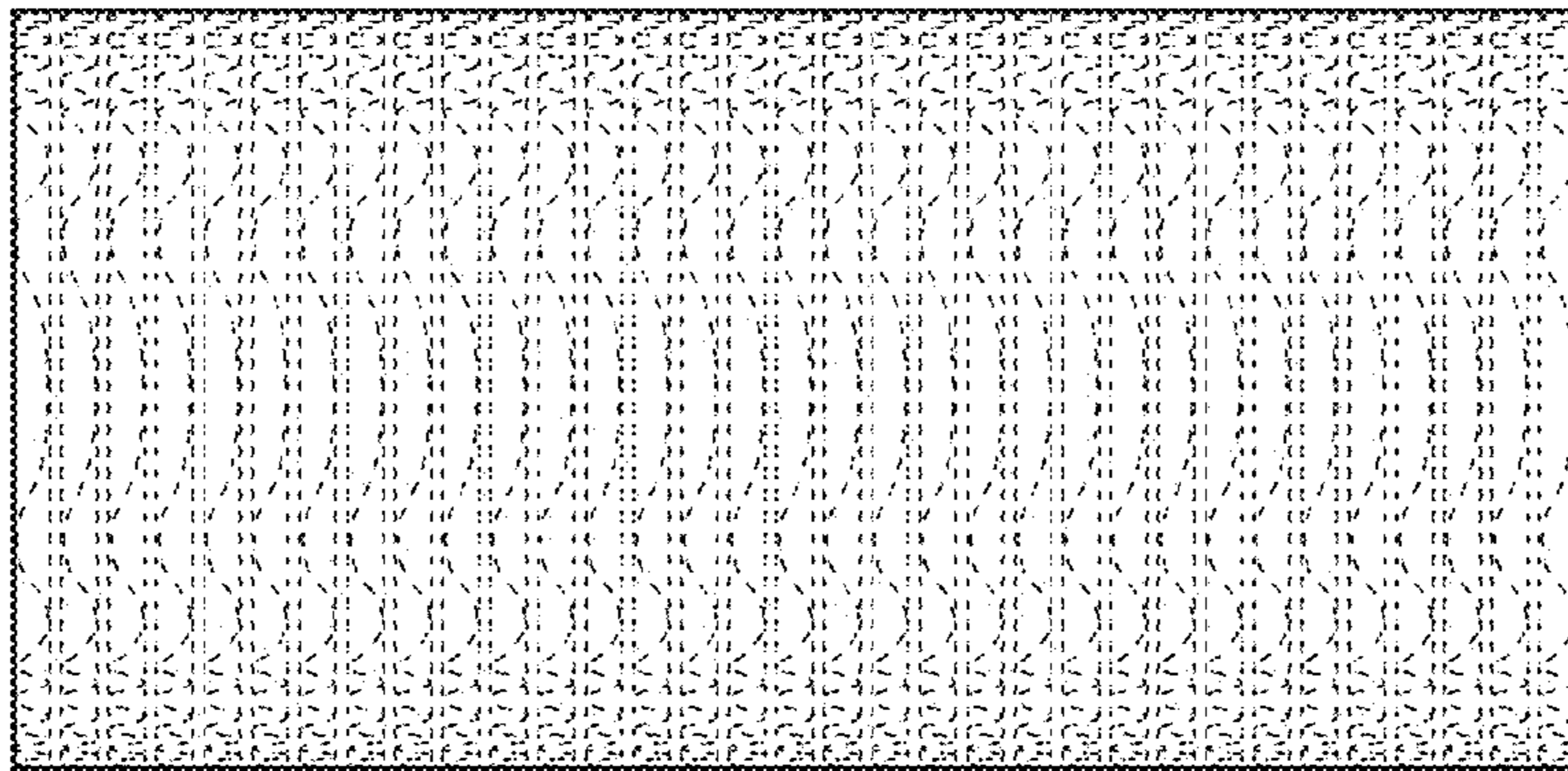


FIG. 3

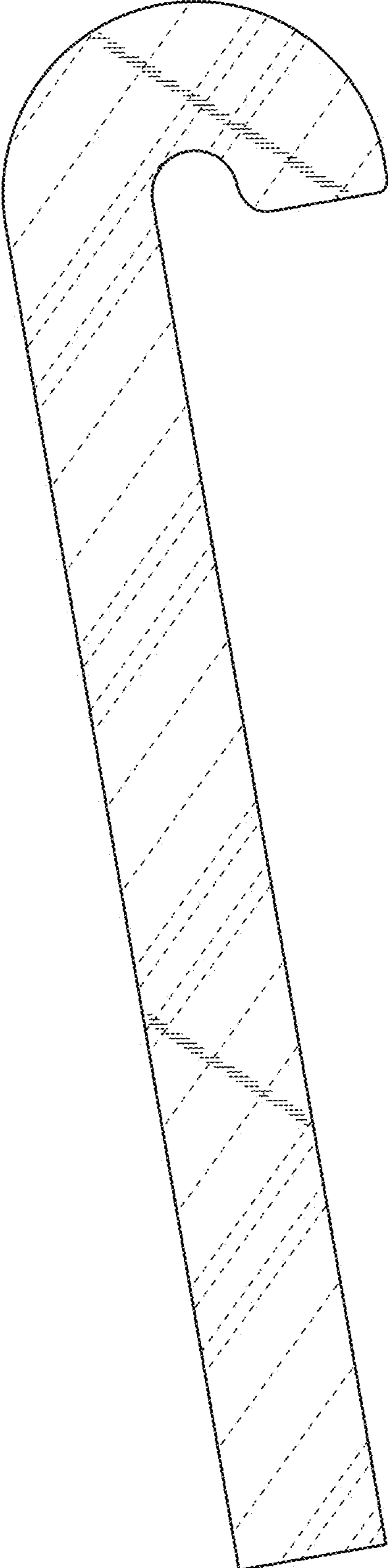


FIG. 4

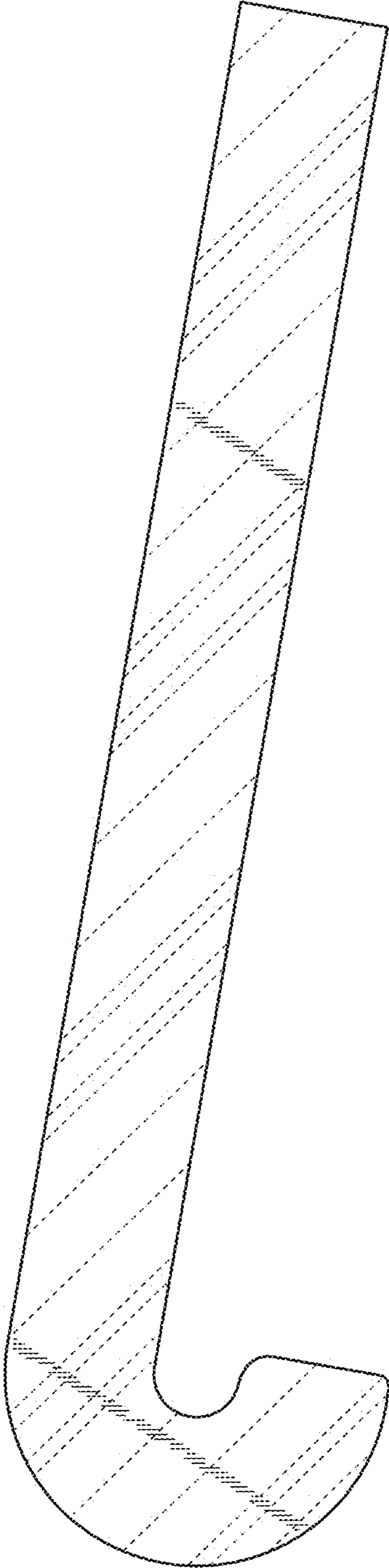


FIG. 5

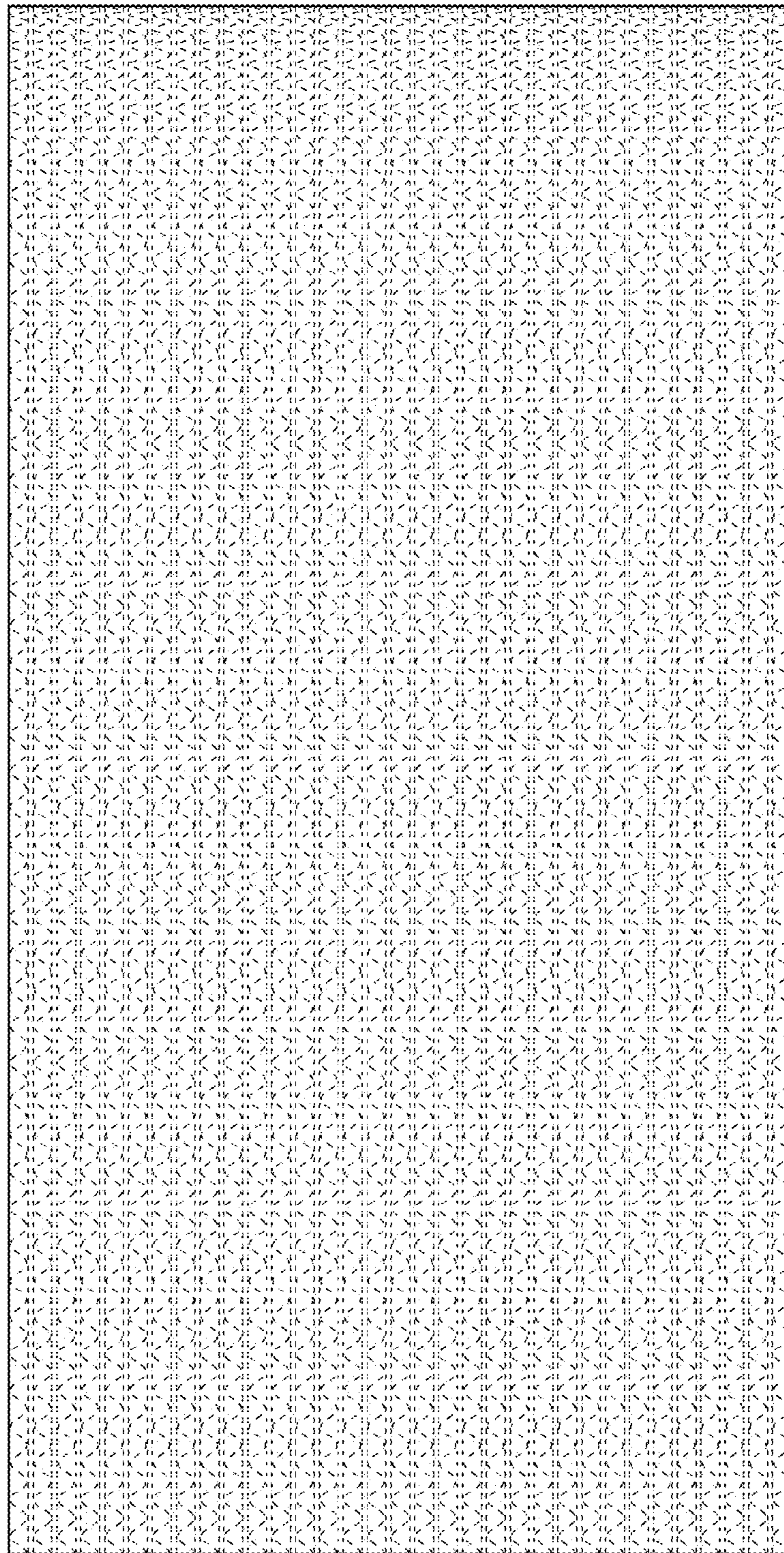


FIG. 6

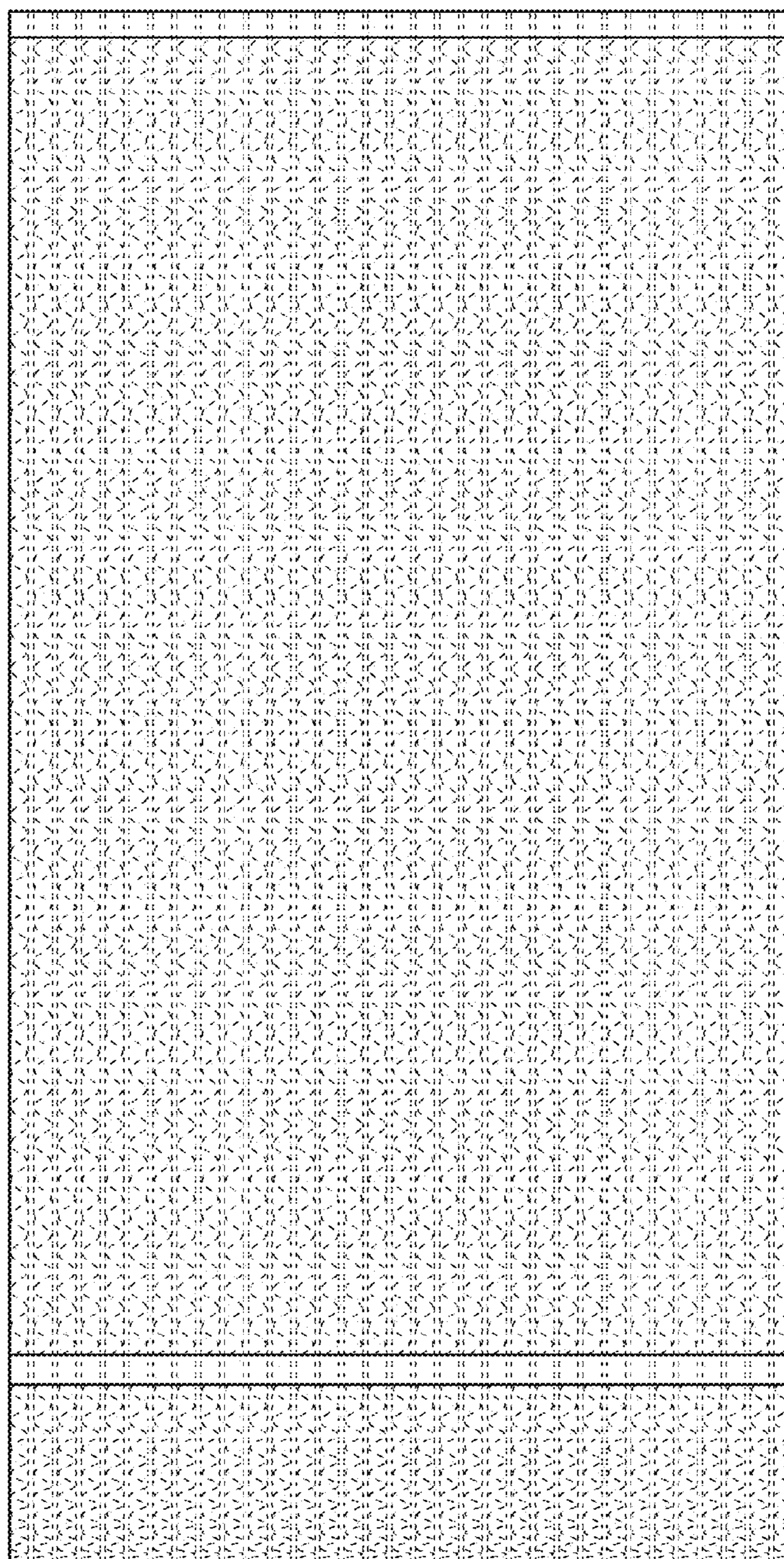


FIG. 7