



US00D708404S

(12) **United States Design Patent**  
**Nutting**

(10) **Patent No.:** **US D708,404 S**  
(45) **Date of Patent:** **\*\* Jul. 1, 2014**

- (54) **DOG HARNESS**
- (71) Applicant: **Alan Leslie Nutting**, Leominster, MA (US)
- (72) Inventor: **Alan Leslie Nutting**, Leominster, MA (US)
- (\*\*) Term: **14 Years**
- (21) Appl. No.: **29/451,467**
- (22) Filed: **Apr. 2, 2013**
- (51) **LOC (10) Cl.** ..... **30-04**
- (52) **U.S. Cl.**  
USPC ..... **D30/152**
- (58) **Field of Classification Search**  
USPC ..... D30/144, 145, 151, 152, 153, 199;  
D3/213, 214, 215, 216; 119/174, 497,  
119/769, 772, 725, 728, 791, 792, 793, 850,  
119/855, 856, 863, 865, 907; 224/576, 191  
See application file for complete search history.

6,802,282 B2 *	10/2004	Muckleroy	.....	119/497
D510,160 S *	9/2005	Rominger	.....	D30/199
7,140,326 B2	11/2006	Jenny et al.		
7,281,363 B2	10/2007	Woerner		
7,284,504 B1	10/2007	Purschwitz, Jr. et al.		
7,325,516 B2 *	2/2008	Moore	.....	119/850
7,665,425 B2 *	2/2010	Gross	.....	119/850
7,757,641 B1	7/2010	Worden		
D633,257 S *	2/2011	Trias	.....	D30/145
7,930,997 B2	4/2011	Ashby		
7,963,255 B2	6/2011	Horgan		
D652,581 S	1/2012	Evans		
8,109,240 B2	2/2012	Matusak		
8,171,891 B2	5/2012	Rubinstein et al.		
8,171,892 B1	5/2012	Horgan		
2005/0229869 A1 *	10/2005	Leo	.....	119/850
2005/0263102 A1 *	12/2005	Sherman et al.	.....	119/792
2006/0254534 A1	11/2006	Lin		

\* cited by examiner

Primary Examiner — Martie K Holtje

(74) Attorney, Agent, or Firm — KB Patents; Luca d'Ottone

(57) **CLAIM**

The ornamental design for a dog harness, as shown and described.

(56) **References Cited**

U.S. PATENT DOCUMENTS

4,530,309 A *	7/1985	Collins	.....	119/863
4,559,906 A *	12/1985	Smith	.....	119/865
5,148,956 A *	9/1992	Funk	.....	224/576
5,193,486 A *	3/1993	Kitchens	.....	119/725
5,738,043 A *	4/1998	Manuel	.....	119/497
5,826,547 A	10/1998	Gajewska		
5,887,772 A *	3/1999	Dooley	.....	224/191
5,894,817 A *	4/1999	Manuel	.....	119/497
6,123,049 A *	9/2000	Slater	.....	119/850
6,367,424 B1	4/2002	Higham		
6,408,799 B1	6/2002	Franck		
6,431,123 B1 *	8/2002	Hibbert	.....	119/850
6,595,162 B1 *	7/2003	Hibbert	.....	119/850
6,631,697 B1 *	10/2003	Solze	.....	119/728
6,694,921 B2 *	2/2004	Emerick	.....	119/725
6,694,923 B1	2/2004	Fouche		

**DESCRIPTION**

FIG. 1 is a rear view of a dog harness in a fully opened condition showing my new design;  
 FIG. 2 is a left view of FIG. 1, the right side being a mirror image thereof;  
 FIG. 3 is a top plan view of FIG. 1,  
 FIG. 4 is a bottom plan view of FIG. 1; and,  
 FIG. 5 is a bottom perspective view of FIG. 4.  
 The structural elements depicted by broken lines in the drawings have been provided for the purpose of illustrating portions of the dog harness that form no part of the claimed design.

**1 Claim, 5 Drawing Sheets**

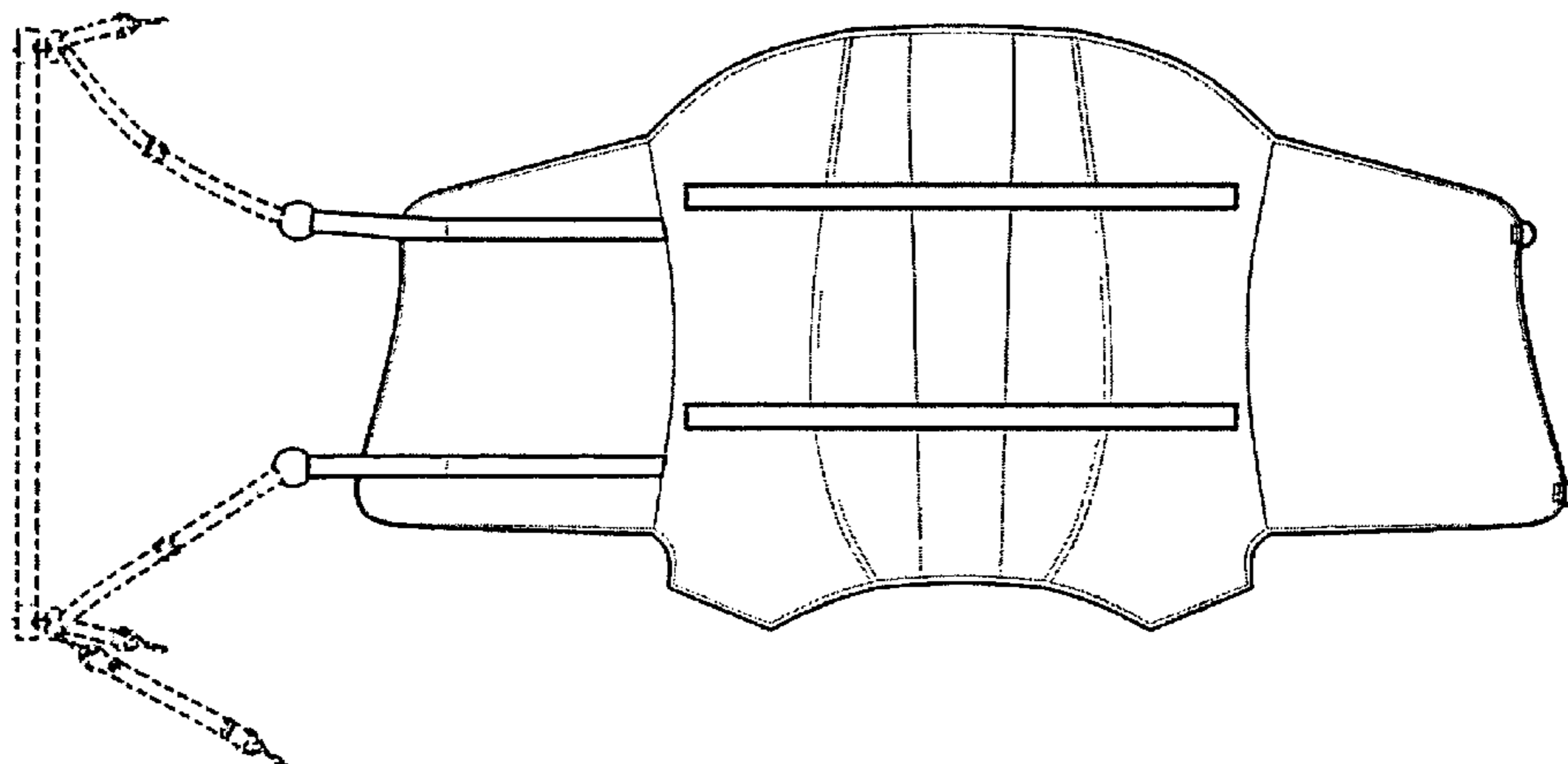




FIG.1

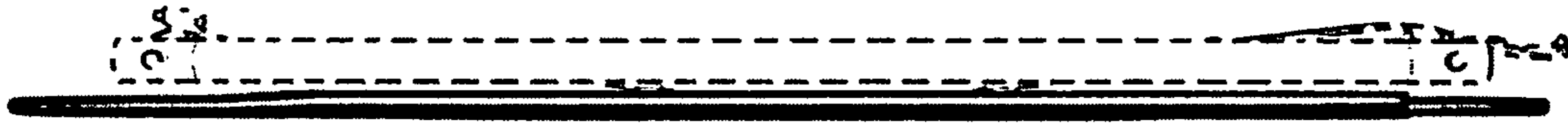


FIG. 2

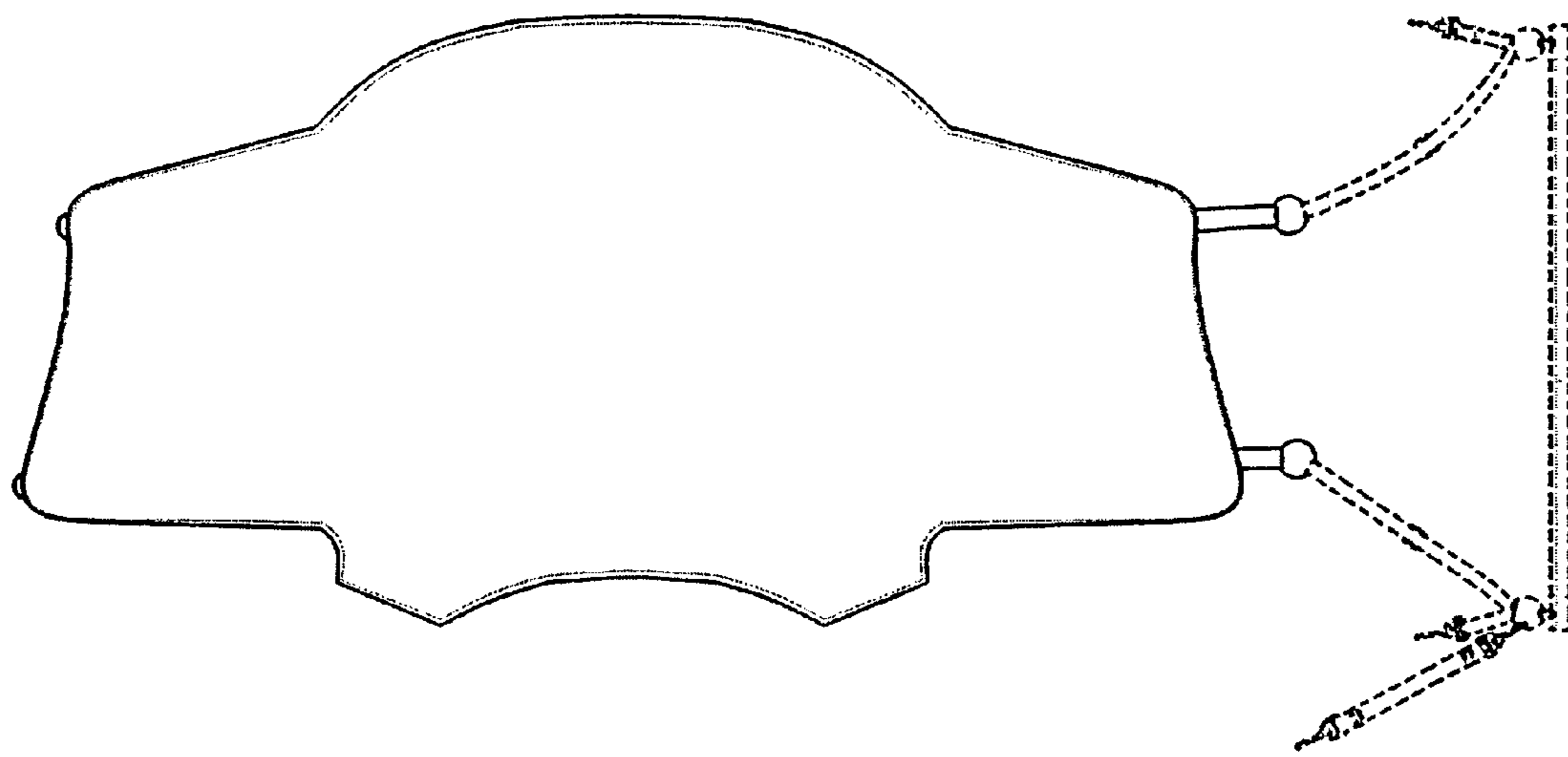


FIG. 3

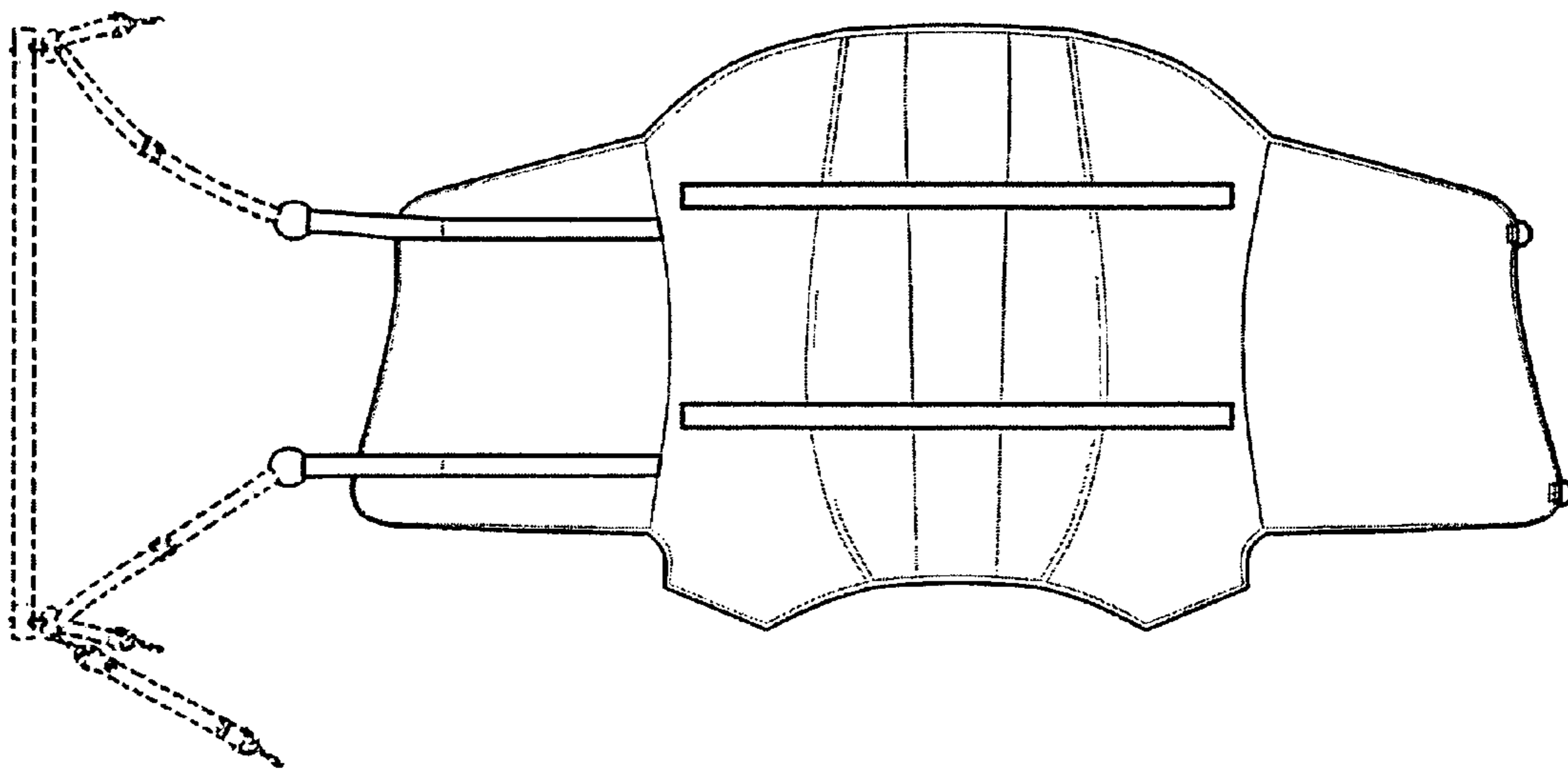


FIG. 4

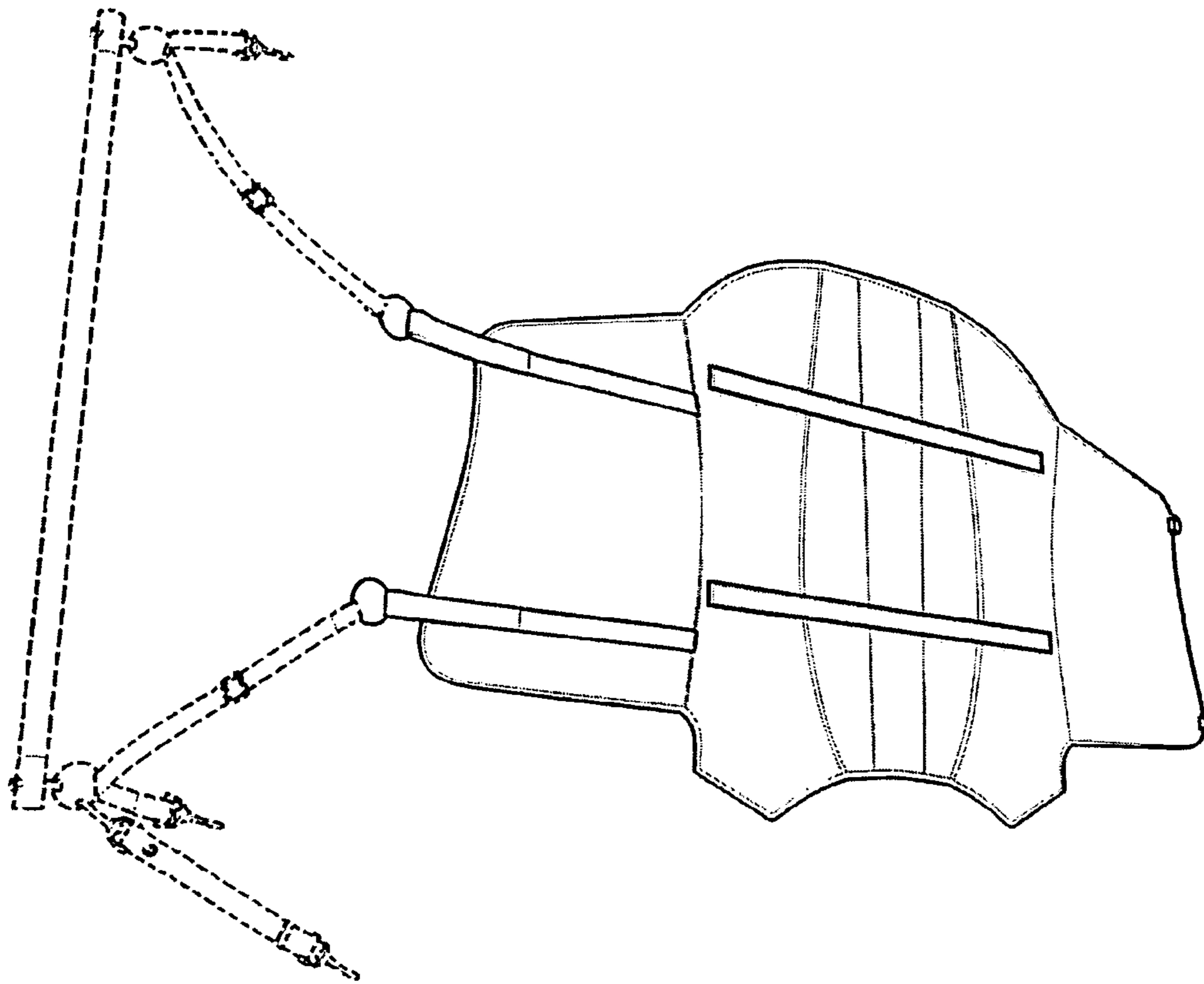


FIG. 5