



US00D708402S

(12) **United States Design Patent**  
**Orgill et al.**

(10) **Patent No.:** **US D708,402 S**  
(45) **Date of Patent:** **\*\* Jul. 1, 2014**

(54) **BREATHER CAP FOR USE IN CONNECTION WITH A WATERING ASSEMBLY**

(75) Inventors: **Michael Allen Orgill**, Goshen, IN (US); **Christopher Richard Roes**, Cromwell, IN (US); **Roger Steven Kiphart**, Warsaw, IN (US); **Grant Alexander White**, Kewanna, IN (US)

(73) Assignee: **CTB, Inc.**, Milford, IN (US)

(\*\*) Term: **14 Years**

(21) Appl. No.: **29/425,787**

(22) Filed: **Jun. 27, 2012**

(51) **LOC (10) Cl.** ..... **30-03**

(52) **U.S. Cl.**

USPC ..... **D30/132**; D30/121; D30/131

(58) **Field of Classification Search**

USPC ..... D30/123, 129, 132, 121; 119/69.5, 673, 119/57.8, 68, 74, 61.57, 78-81, 61.4, 57.9, 119/51.5, 61.5, 72; 47/66.6, 39, 67, 83; 239/27, 280, 200, 281, 280.5, 273, 16, 239/17, 20, 22; 4/644, 627, 638; D7/558; D11/144, 145, 153; D99/5, 24; 27/1; D23/201, 292; 248/127, 132, 137, 138, 248/158, 910; 215/10; D6/353, 352, 484, D6/360, 480, 488; 219/521; 329/442, 459

See application file for complete search history.

(56) **References Cited**

**U.S. PATENT DOCUMENTS**

957,347	A *	5/1910	Kennedy	.....	251/321
2,013,615	A *	9/1935	Fontan	.....	220/568
2,513,489	A *	7/1950	Jenkins	.....	215/313
2,858,558	A *	11/1958	Sudbeaz	.....	401/214
2,981,968	A *	5/1961	Schaich	.....	401/213
3,149,611	A *	9/1964	Harrison	.....	119/72.5
D212,622	S *	11/1968	Pochyla et al.	.....	D30/132
3,513,811	A *	5/1970	Graham	.....	119/72.5
3,529,575	A *	9/1970	Schalk	.....	119/72.5

D222,271	S *	10/1971	Rader	.....	D30/132
D222,274	S *	10/1971	Rader	.....	D30/132
3,838,664	A *	10/1974	Atchley	.....	119/72.5
D237,092	S *	10/1975	Pochyla et al.	.....	D30/132
4,021,125	A *	5/1977	Berghahn et al.	.....	401/213
4,111,567	A *	9/1978	Berghahn et al.	.....	401/202
4,221,495	A *	9/1980	Braun et al.	.....	401/213
4,382,520	A *	5/1983	Aleff	.....	215/21
4,406,253	A *	9/1983	Atchley et al.	.....	119/72.5
4,457,325	A *	7/1984	Green	.....	
4,458,817	A *	7/1984	Guala	.....	215/21

(Continued)

**FOREIGN PATENT DOCUMENTS**

GB 2204380 A 11/1988

*Primary Examiner* — Susan Moon Lee

(74) *Attorney, Agent, or Firm* — Clark Hill PLC

(57) **CLAIM**

We claim the ornamental design for a breather cap for use in connection with a watering assembly, as shown and described.

**DESCRIPTION**

FIG. 1 is a perspective view of a breather cap for use in connection with a watering assembly, according to our new design;

FIG. 2 is another perspective thereof;

FIG. 3 is a front view thereof, the rear view being a mirror image thereof;

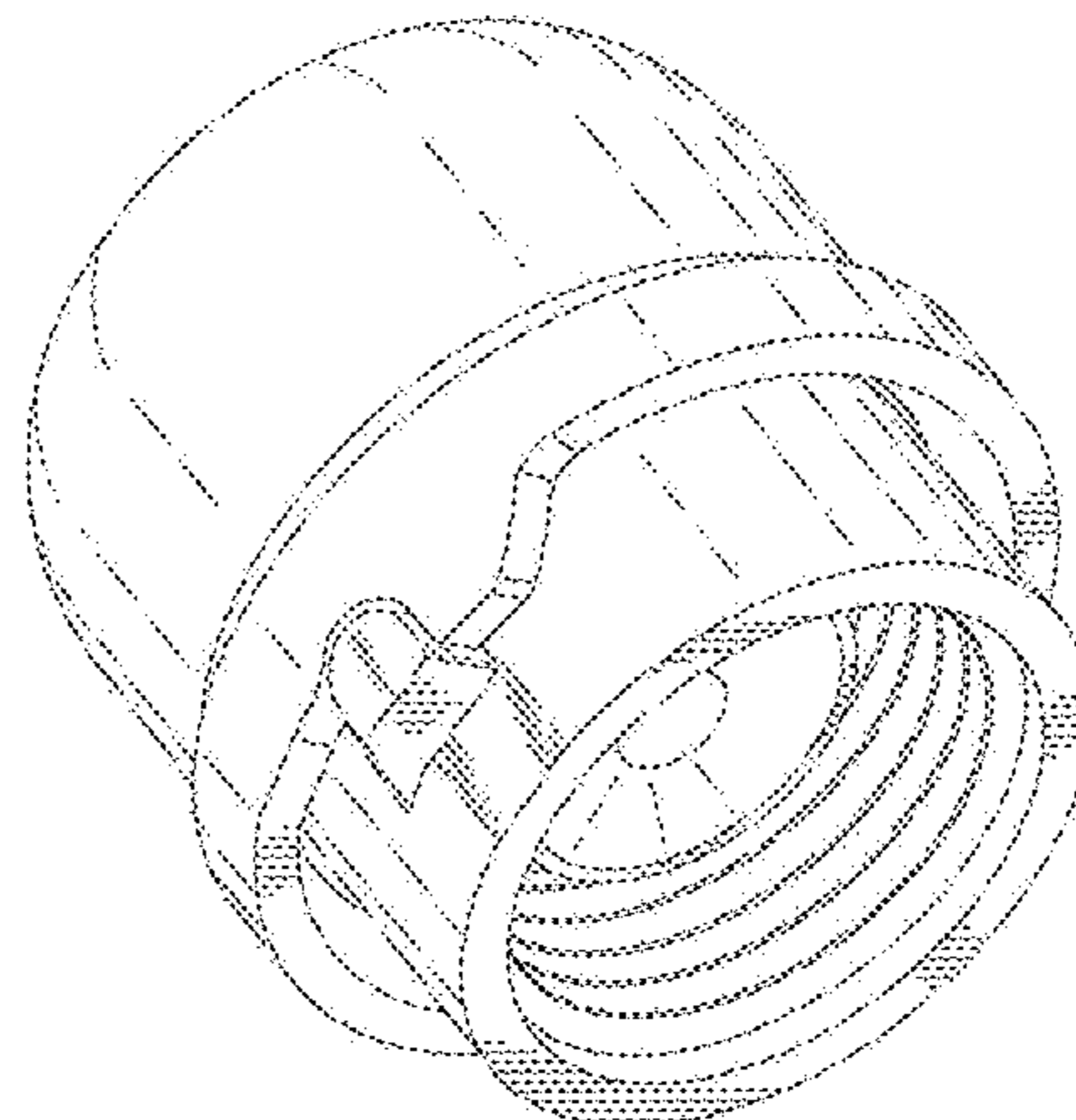
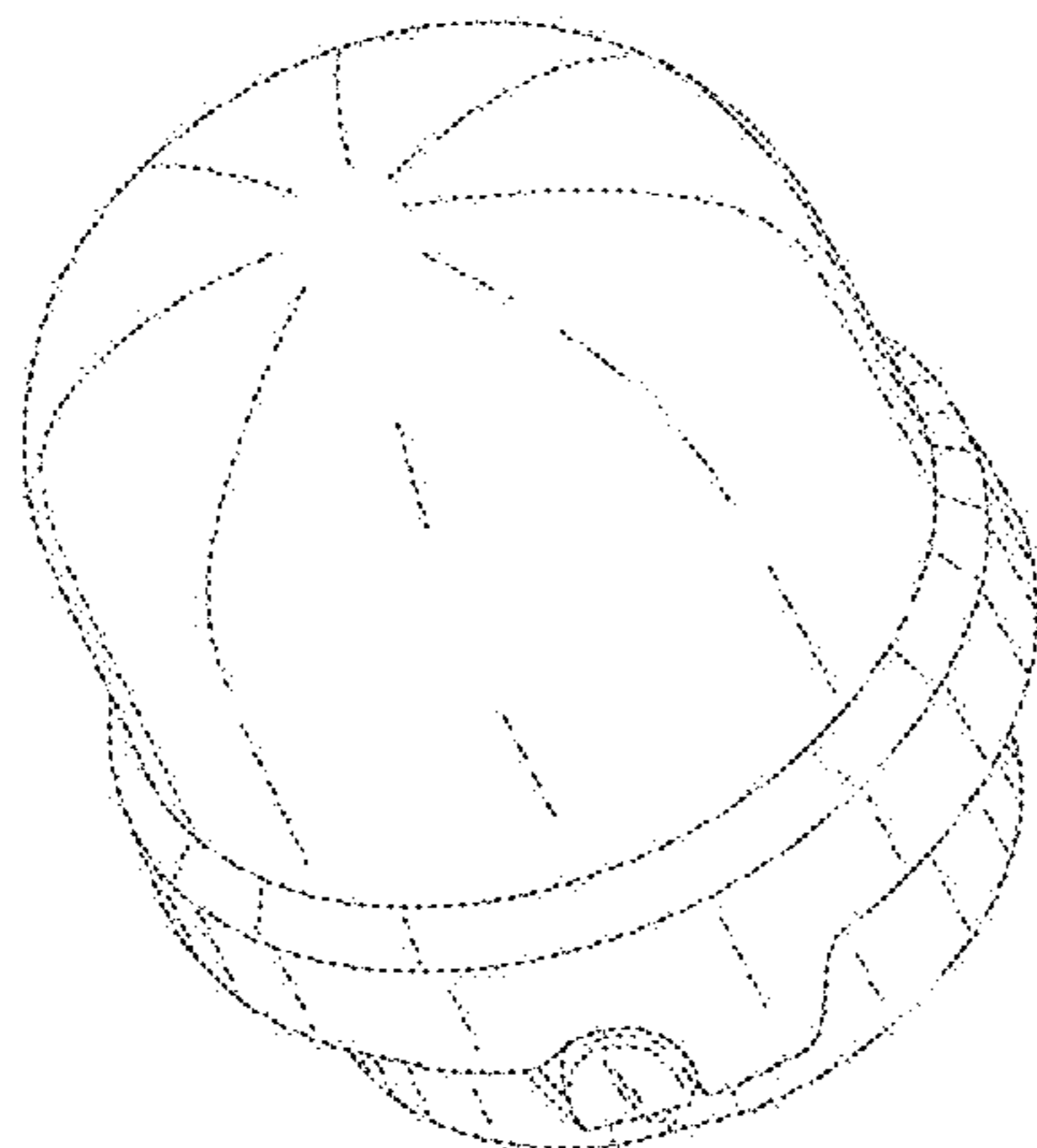
FIG. 4 is a left side view thereof, the right side being a mirror image thereof;

FIG. 5 is a top view thereof; and,

FIG. 6 is a bottom view thereof.

The broken lines showing in FIG. 3 are for illustrative purposes only to show the environment in which the breather cap assembly is intended to be associated, namely a connector which connects the breather cap assembly to a stand-tube of a watering assembly, and forms no part of the claimed design.

**1 Claim, 3 Drawing Sheets**



(56)

## References Cited

## U.S. PATENT DOCUMENTS

- 4,589,373 A \* 5/1986 Hostetler et al. .... 119/72.5  
4,640,304 A 2/1987 Looney  
4,655,247 A 4/1987 Westra et al.  
D291,523 S \* 8/1987 Minuti ..... D7/300.1  
4,736,863 A 4/1988 Harris  
4,945,947 A 8/1990 Westra et al.  
5,065,700 A \* 11/1991 Cross ..... 119/72.5  
5,073,057 A \* 12/1991 Lathrop et al. .... 401/206  
5,094,363 A \* 3/1992 Monahan et al. .... 222/131  
5,101,769 A \* 4/1992 Arentoft et al. .... 119/72.5  
5,136,983 A 8/1992 Hostetler et al.  
5,143,022 A \* 9/1992 Fore ..... 119/51.03  
5,154,138 A \* 10/1992 Siddiqui et al. .... 119/72.5  
5,213,431 A \* 5/1993 Gentile et al. .... 401/219  
5,301,635 A \* 4/1994 Rovira Badia et al. .... 119/72.5  
5,329,877 A \* 7/1994 Schumacher ..... 119/72.5  
5,373,811 A \* 12/1994 Wastell ..... 119/72.5  
5,400,744 A \* 3/1995 Coiro et al. .... 119/72.5  
5,427,058 A \* 6/1995 Chung ..... 119/72.5  
5,456,210 A \* 10/1995 Miller ..... 119/75  
5,494,000 A \* 2/1996 Tanabe ..... 119/72.5  
5,501,177 A \* 3/1996 Edstrom et al. .... 119/72.5  
D369,980 S \* 5/1996 Dinand ..... D9/558  
5,553,957 A \* 9/1996 Dornbusch et al. .... 401/209  
5,628,278 A \* 5/1997 Uri ..... 119/72.5  
5,740,759 A \* 4/1998 Cummings ..... 119/72  
5,799,811 A \* 9/1998 Bruckner et al. .... 215/386  
5,809,935 A \* 9/1998 Kolterman et al. .... 119/74  
5,857,429 A \* 1/1999 Hostetler ..... 119/72.5  
D406,062 S \* 2/1999 Brewer ..... D9/520  
6,073,584 A \* 6/2000 Schumacher ..... 119/72  
6,095,708 A \* 8/2000 Butaud ..... 401/209  
6,126,024 A \* 10/2000 Ramirez et al. .... 215/12.1  
D436,535 S \* 1/2001 Kerr et al. .... D9/445  
6,179,505 B1 \* 1/2001 Oder et al. .... 401/213  
6,202,678 B1 3/2001 Hawkins  
6,219,963 B1 \* 4/2001 Wang ..... 47/48.5  
6,237,800 B1 \* 5/2001 Barrett ..... 220/505  
D443,734 S \* 6/2001 Cheng ..... D30/132  
6,243,986 B1 \* 6/2001 Crowley ..... 47/48.5  
6,293,226 B1 \* 9/2001 Hwang ..... 119/72  
6,308,657 B1 \* 10/2001 Schumacher et al. .... 119/72  
6,325,253 B1 \* 12/2001 Robinson ..... 222/212  
6,401,964 B1 \* 6/2002 Goto et al. .... 220/592.27  
D468,489 S \* 1/2003 Wechsler ..... D30/132  
6,511,243 B2 \* 1/2003 Miranda ..... 401/213  
6,547,471 B1 \* 4/2003 Tucker et al. .... 401/206  
D480,590 S \* 10/2003 Linz et al. .... D7/300.1  
D483,982 S \* 12/2003 Irvine ..... D7/300.1  
6,656,350 B2 \* 12/2003 Kitakaze ..... 210/136  
6,668,754 B1 \* 12/2003 Gerbo ..... 119/72.5  
6,718,912 B2 \* 4/2004 Pappas ..... 119/72.5  
D489,627 S \* 5/2004 Klitsner et al. .... D9/502  
6,758,165 B2 \* 7/2004 Pappas et al. .... 119/72.5  
7,108,157 B2 \* 9/2006 Alei ..... 222/153.06  
7,117,818 B2 \* 10/2006 Pappas et al. .... 119/72.5  
7,194,857 B2 3/2007 Hung  
7,303,713 B2 \* 12/2007 Gabriel et al. .... 264/255  
7,318,556 B2 1/2008 Lee et al.  
D577,583 S \* 9/2008 Porter et al. .... D9/447  
7,618,208 B2 \* 11/2009 Baines et al. .... 401/213  
D623,460 S \* 9/2010 Krasner ..... D7/300.1  
7,810,787 B2 \* 10/2010 Johnson ..... 251/339  
7,987,817 B2 \* 8/2011 Johnson ..... 119/74  
D648,177 S \* 11/2011 Eyal ..... D7/510  
8,087,640 B2 \* 1/2012 Bassols ..... 251/246  
D654,752 S \* 2/2012 Krasner ..... D7/300.1  
8,166,917 B2 \* 5/2012 Welbourne ..... 119/75  
8,388,252 B2 \* 3/2013 Thiebaut ..... 401/213  
8,464,660 B2 \* 6/2013 Valeriano ..... 119/72  
D689,332 S \* 9/2013 Krasner ..... D7/510  
8,596,220 B2 \* 12/2013 Mainini ..... 119/72  
D699,516 S \* 2/2014 Kim et al. .... D7/510  
2003/0079692 A1 \* 5/2003 Stuedler et al. .... 119/72.5  
2004/0211366 A1 \* 10/2004 Jarke et al. .... 119/75  
2004/0244705 A1 \* 12/2004 Momont et al. .... 119/72.5  
2005/0039691 A1 \* 2/2005 Jarke et al. .... 119/72  
2005/0061814 A1 \* 3/2005 Jackel ..... 220/259.1  
2005/0160994 A1 \* 7/2005 Pollock et al. .... 119/72  
2005/0221166 A1 \* 10/2005 Jones et al. .... 429/64  
2006/0027179 A1 \* 2/2006 Welbourne ..... 119/75  
2006/0231040 A1 \* 10/2006 Bast et al. .... 119/77  
2007/0215056 A1 \* 9/2007 Kreger et al. .... 119/72.5  
2007/0272165 A1 \* 11/2007 von der Assen et al. .... 119/72  
2008/0017120 A1 \* 1/2008 Hawk ..... 119/72  
2008/0121751 A1 \* 5/2008 Steinhagen et al. .... 242/588.6  
2009/0107407 A1 \* 4/2009 Lee ..... 119/72  
2010/0175624 A1 \* 7/2010 Orozco Osorio ..... 119/72.5  
2010/0192865 A1 \* 8/2010 Hawk ..... 119/72  
2010/0218726 A1 \* 9/2010 Adams ..... 119/72.5  
2010/0282174 A1 \* 11/2010 Pappas ..... 119/72.5  
2010/0313817 A1 \* 12/2010 Krasner ..... 119/72.5  
2011/0083611 A2 \* 4/2011 Orozco Osorio ..... 119/72.5  
2012/0222625 A1 \* 9/2012 Adams ..... 119/72  
2012/0255496 A1 \* 10/2012 Federico et al. .... 119/72  
2012/0318202 A1 \* 12/2012 Schumacher et al. .... 119/74  
2013/0263789 A1 \* 10/2013 Delman ..... 119/72  
2014/0000524 A1 \* 1/2014 Orgill et al. .... 119/72.5

\* cited by examiner

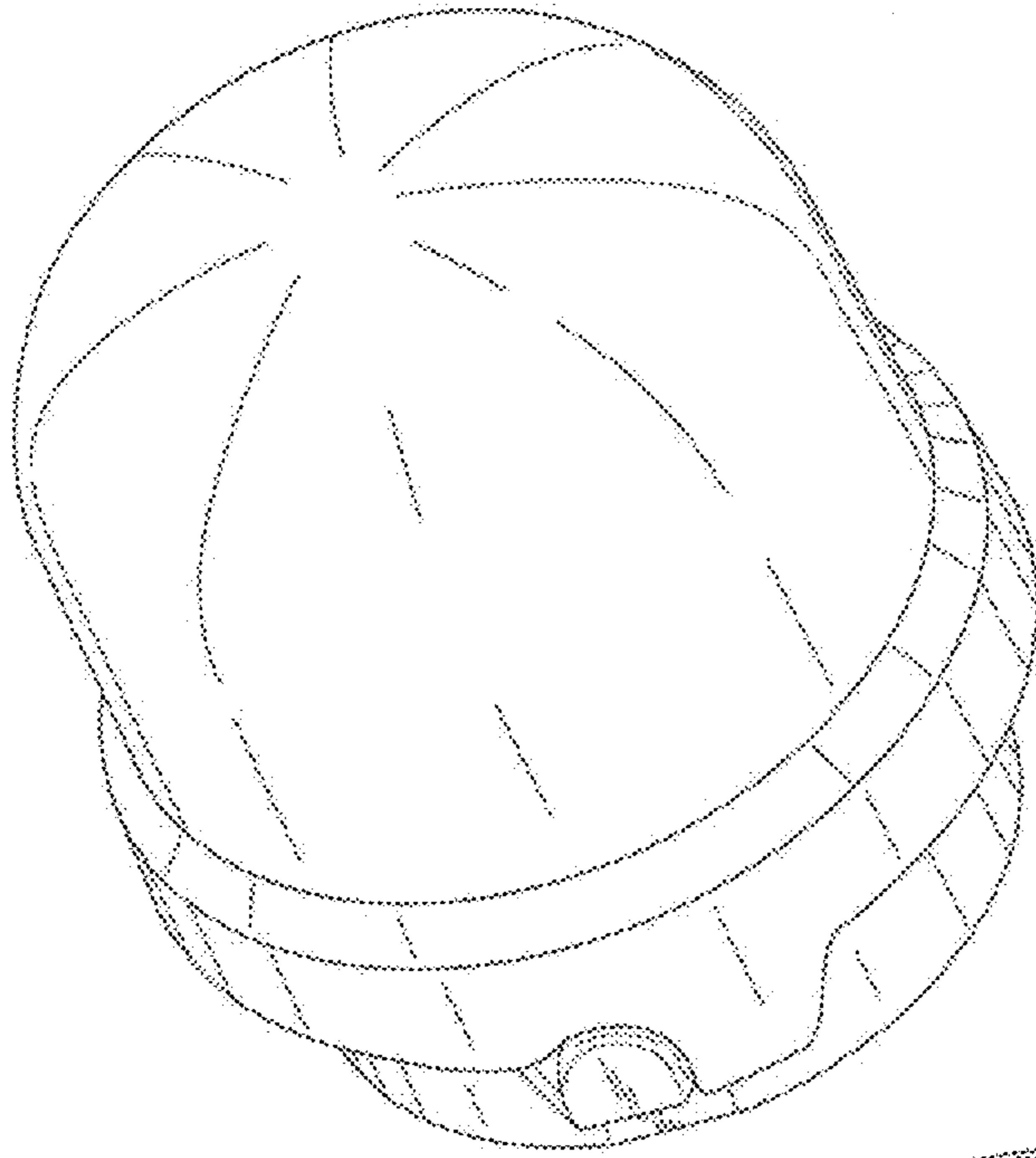


FIG. 1

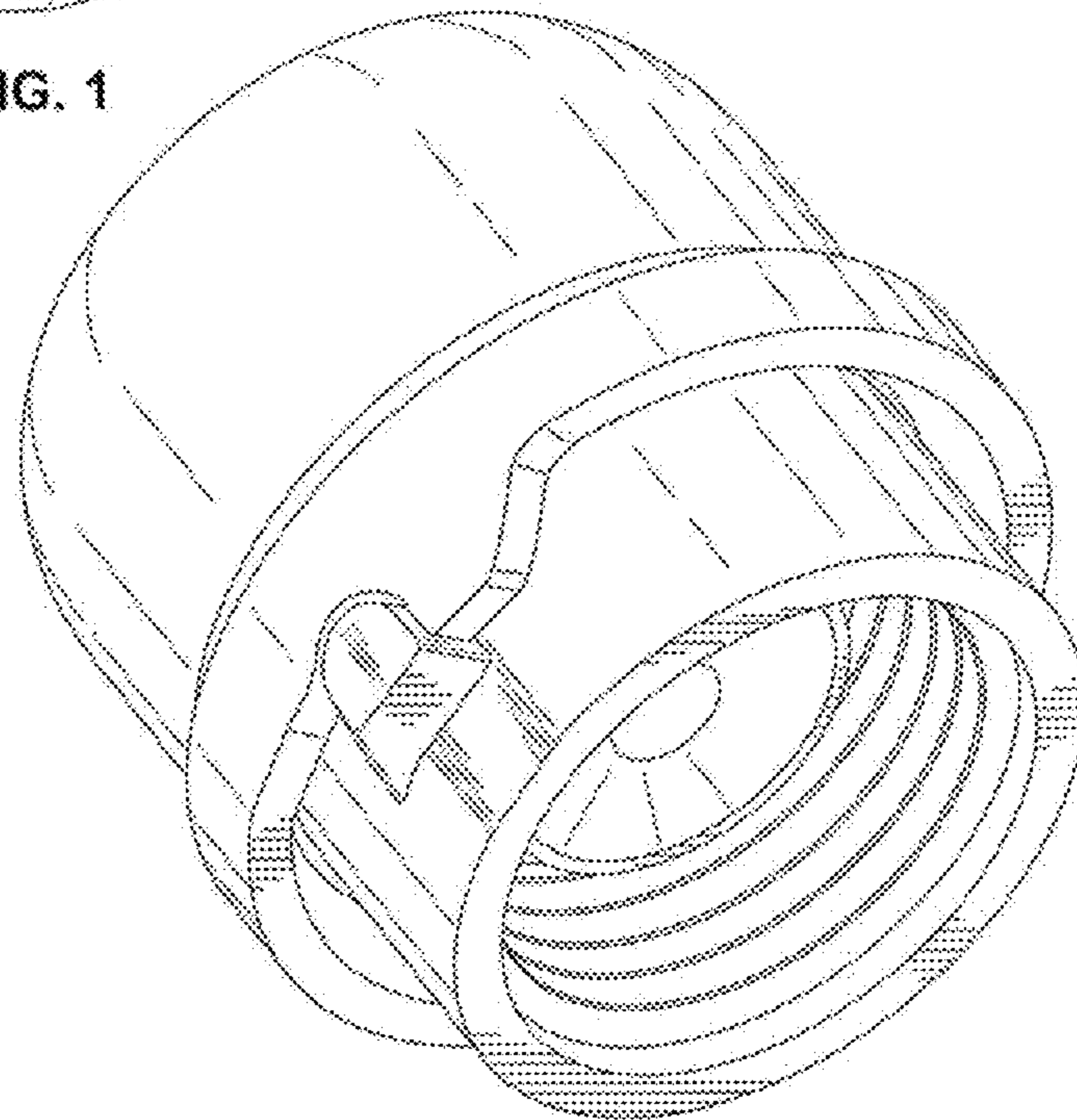


FIG. 2

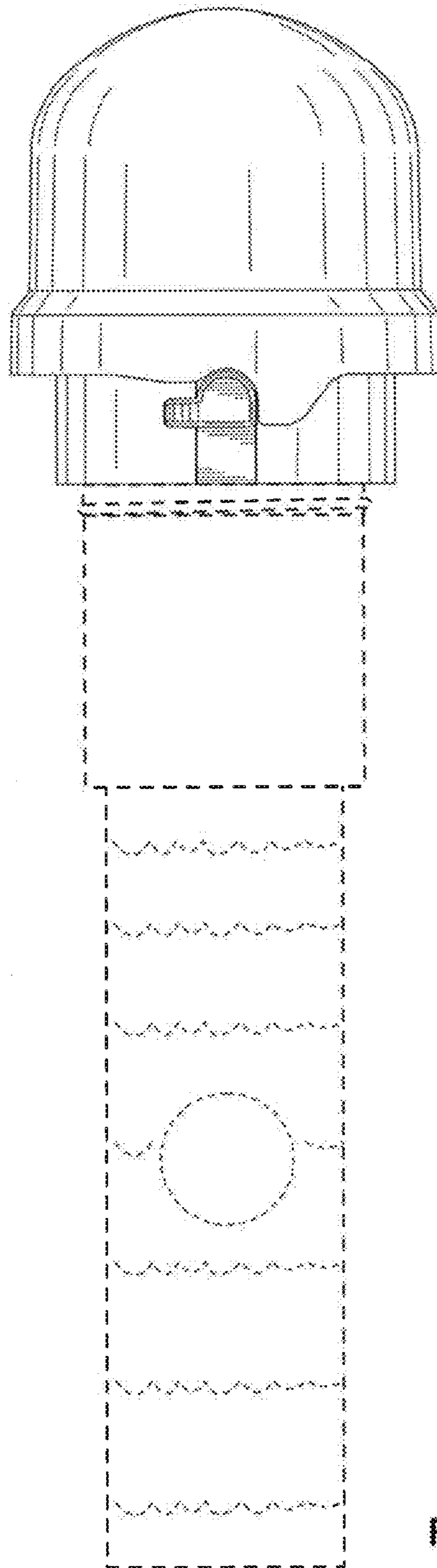


FIG. 3

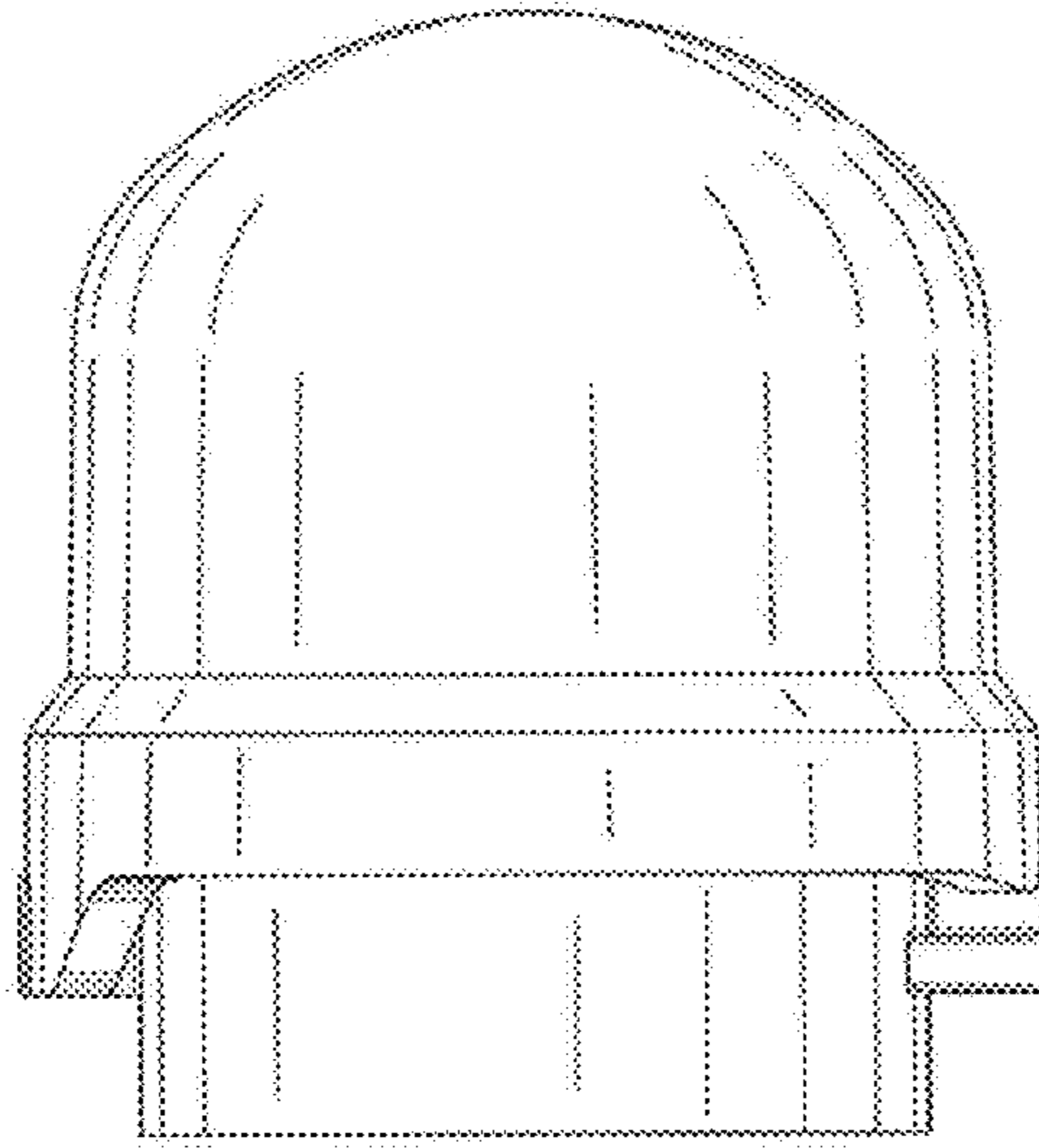


FIG. 4

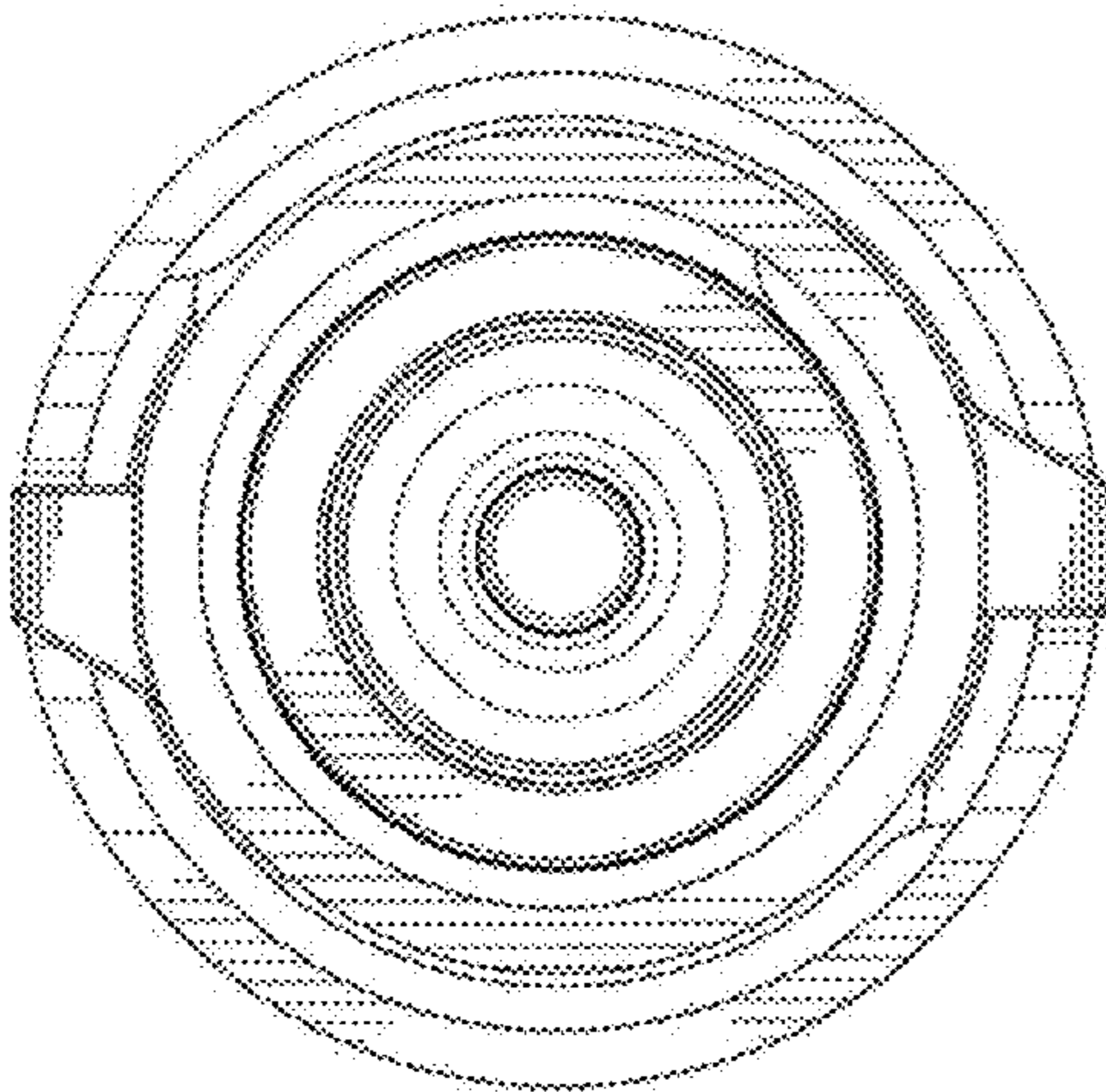


FIG. 6

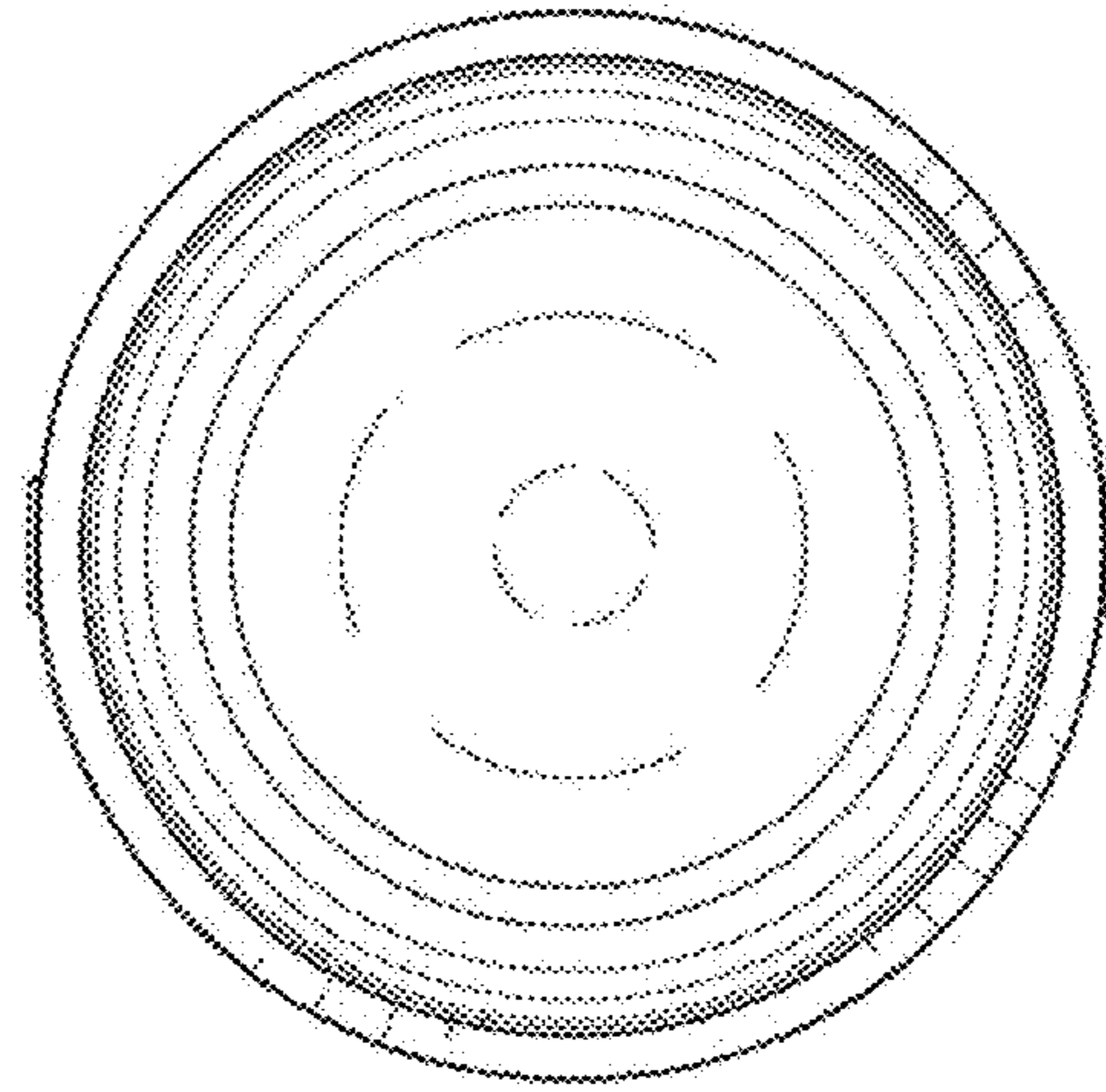


FIG. 5