



US00D708401S

(12) **United States Design Patent**
Krueger

(10) **Patent No.:** **US D708,401 S**
(45) **Date of Patent:** **** Jul. 1, 2014**

- (54) **FILL COMPONENT OF A BIRD FEEDER**
- (71) Applicant: **Classic Brands, LLC**, Denver, CO (US)
- (72) Inventor: **Bryan Krueger**, Denver, CO (US)
- (73) Assignee: **Classic Brands, LLC**, Denver, CO (US)
- (**) Term: **14 Years**
- (21) Appl. No.: **29/437,619**
- (22) Filed: **Nov. 19, 2012**

1,634,569 A	7/1927	Bray
D81,602 S	7/1930	Teague
1,791,956 A	2/1931	Cowles
D87,460 S	8/1932	Cook
1,891,042 A	12/1932	Benoit
D115,321 S	6/1939	Pueschel
2,350,922 A	6/1944	Planeta
2,417,178 A	3/1947	Ritter
D153,759 S	5/1949	Blatt
2,510,721 A	6/1950	Smith
D169,798 S *	6/1953	Anthony D26/67
D170,150 S	8/1953	Kowap
D173,658 S	12/1954	Jones

(Continued)

Related U.S. Application Data

- (63) Continuation-in-part of application No. 29/387,517, filed on Mar. 14, 2011, now Pat. No. Des. 671,276.
- (51) **LOC (10) Cl.** **30-03**
- (52) **U.S. Cl.**
USPC **D30/127**
- (58) **Field of Classification Search**
USPC D30/121, 124, 126-129, 133, 199,
D30/110-112, 123, 125; 119/52.2, 51.5,
119/61.5, 57.8, 57.9, 52.3, 61.1, 531, 63,
119/428-435, 52.4, 55, 61.3, 69.5, 75, 76;
47/67, 83; 248/318; D11/164, 152;
211/128.1; D27/123; D6/495, 460,
D6/461, 476, 405
See application file for complete search history.

OTHER PUBLICATIONS

Ex Parte Quayle Action, U.S. Appl. No. 29/437,624, mailed Jun. 7, 2013, 23 pages.

(Continued)

Primary Examiner — Susan Moon Lee
(74) *Attorney, Agent, or Firm* — Polsinelli PC

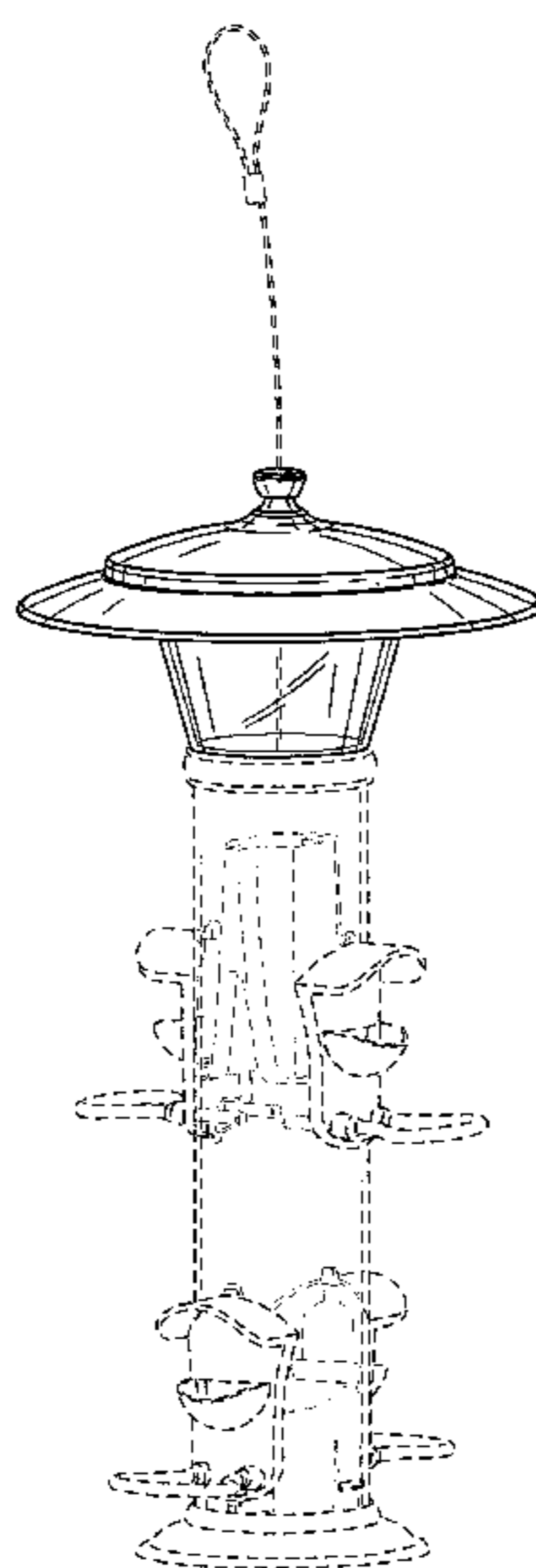
(57) **CLAIM**
The ornamental design for a fill component of a bird feeder, as shown and described.

DESCRIPTION

FIG. 1 is a front environmental perspective view of a fill component of a bird feeder showing our new design; FIG. 2 is a front perspective view of the fill component of a bird feeder; FIG. 3 is a side perspective view thereof; FIG. 4 is an elevational view thereof; FIG. 5 is a side elevation view thereof; FIG. 6 top plan view thereof; and, FIG. 7 is a bottom plan view thereof. Broken lines and unshaded portions contained within broken lines are not claimed.

1 Claim, 7 Drawing Sheets

- (56) **References Cited**
U.S. PATENT DOCUMENTS
- | | | |
|-------------|---------|-----------|
| 117,807 A | 8/1871 | Orndoff |
| D8,908 S | 1/1876 | Wiley |
| 632,167 A | 8/1899 | Biesmeyer |
| 727,597 A | 5/1903 | Day |
| 813,954 A | 2/1906 | Davis |
| D43,781 S | 4/1913 | Sanford |
| 1,251,935 A | 1/1918 | Stevens |
| 1,558,316 A | 10/1925 | Tipple |



(56)

References Cited

U.S. PATENT DOCUMENTS

2,696,803 A	12/1954	Deffenbaugh	4,974,547 A	12/1990	Graham
D174,139 S	3/1955	Sadler	4,986,219 A	1/1991	Harris
2,725,663 A	12/1955	Mullen	4,996,947 A	3/1991	Petrides
D178,917 S	10/1956	England et al.	5,033,411 A	7/1991	Brucker
2,786,446 A	3/1957	Wilson	D324,436 S	3/1992	Embree
2,804,844 A	9/1957	Gigliotti	D326,003 S	5/1992	Embree
2,887,987 A	5/1959	Fitzgerald et al.	5,140,945 A	8/1992	Barnhart et al.
2,891,508 A	6/1959	Bower	D329,892 S	9/1992	Brister
2,944,516 A	7/1960	Malloy, Sr.	5,168,830 A	12/1992	Deglis
2,971,671 A	2/1961	Shakman	5,191,857 A	3/1993	Boaz
D190,674 S *	6/1961	Hoensch D26/41	D334,635 S	4/1993	Wenstrand
2,987,041 A	6/1961	Bard	D335,006 S *	4/1993	Blasbalg D30/127
D191,534 S *	10/1961	Curtin et al. D26/67	5,207,180 A	5/1993	Graham
3,022,768 A	2/1962	Lynch	D337,271 S	7/1993	Pezzoli et al.
3,051,126 A	8/1962	Merritt et al.	D338,317 S	8/1993	Woodward
3,051,303 A	8/1962	Daanen	5,247,904 A	9/1993	Anderson
D193,558 S	9/1962	Parry	5,269,242 A	12/1993	Toldi
3,090,354 A	5/1963	Merritt et al.	D343,030 S	1/1994	Harwick, Jr.
D195,990 S *	8/1963	Pettengill D26/67	5,289,796 A	3/1994	Armstrong
3,136,296 A	6/1964	Luin	5,291,855 A	3/1994	Laverty
3,145,690 A	8/1964	Bachman	D351,691 S	10/1994	Lipton
D200,778 S	4/1965	Pregont	D351,692 S	10/1994	Cossey
3,307,602 A	3/1967	Boster	5,361,723 A	11/1994	Burleigh
3,316,884 A *	5/1967	Viggars 119/52.3	D360,495 S	7/1995	Sanderson
3,372,676 A	3/1968	Williams	D360,829 S	8/1995	Leeds
D216,361 S	12/1969	Pappas, Jr.	D366,413 S	1/1996	Tober
D216,750 S *	3/1970	Klein D7/335	5,479,879 A	1/1996	Biek
D217,470 S	5/1970	Morrow	D370,313 S	5/1996	Nottingham et al.
3,526,335 A	9/1970	Swett et al.	D371,230 S	6/1996	Nottingham et al.
D229,218 S *	11/1973	Curtis et al. D26/41	D371,979 S	7/1996	Nottingham et al.
D230,948 S	3/1974	Moon	5,533,467 A	7/1996	Lancia
D234,180 S	1/1975	Dart et al.	5,558,040 A	9/1996	Colwell et al.
3,901,192 A	8/1975	Adams	D376,731 S	12/1996	Lin
3,941,554 A *	3/1976	Curtis 431/89	D380,066 S	6/1997	Green et al.
3,977,363 A	8/1976	Fisher, Jr.	5,655,477 A	8/1997	Hoffman et al.
D241,860 S	10/1976	Calamia	D383,878 S	9/1997	Merino et al.
D244,786 S	6/1977	Dryden	D386,835 S	11/1997	Passamare
4,030,451 A	6/1977	Miller	D386,836 S	11/1997	Hunt
D245,349 S	8/1977	Fisher, Jr.	5,682,835 A	11/1997	Walter et al.
D245,643 S	8/1977	Orfei	5,701,841 A	12/1997	Fasino
D245,927 S	9/1977	Edwards et al.	5,711,247 A	1/1998	Henshaw
D248,006 S	5/1978	Christian	5,775,256 A	7/1998	Henshaw
4,102,308 A *	7/1978	Kilham 119/52.3	5,782,200 A	7/1998	Knowles et al.
4,144,842 A	3/1979	Schlisling	D397,529 S	8/1998	Fuller et al.
D258,338 S	2/1981	Gersin	5,791,286 A *	8/1998	Taussig et al. 119/52.3
D260,843 S	9/1981	Laird et al.	D399,611 S	10/1998	Ericson et al.
4,327,669 A	5/1982	Blasbalg	5,829,382 A	11/1998	Garrison
D266,611 S	10/1982	Metts et al.	D406,307 S	3/1999	Kang
D267,355 S	12/1982	Blasbalg	D408,420 S	4/1999	Buter
D268,056 S	2/1983	Campbell-Kelly et al.	5,975,015 A *	11/1999	Runyon et al. 119/52.1
4,389,975 A	6/1983	Fisher, Jr.	D425,259 S	5/2000	Lang
D272,507 S	2/1984	Conti	6,079,361 A	6/2000	Bowell et al.
D272,508 S	2/1984	Conti	D428,537 S	7/2000	Miller
4,444,324 A	4/1984	Grenell	D429,354 S *	8/2000	Petterson D26/40
D274,563 S	7/1984	Blasbalg	6,095,087 A	8/2000	Bloedorn
D277,514 S	2/1985	Bescherer	D431,760 S	10/2000	Sullivan
D278,751 S	5/1985	Seager	D433,633 S	11/2000	La Fata
D282,019 S	12/1985	Kilham	6,145,477 A	11/2000	Jansen
D284,033 S	5/1986	Brodsky	D434,980 S	12/2000	Suzuki
D289,143 S	4/1987	Guillaume	D440,361 S	4/2001	Colwell
D289,210 S	4/1987	Tucker et al.	D440,677 S *	4/2001	Long et al. D26/40
D289,211 S	4/1987	Riha	6,213,054 B1	4/2001	Marshall
4,664,066 A	5/1987	Steuernagel et al.	6,253,706 B1	7/2001	Sloop
D290,769 S	7/1987	Taylor	D448,290 S	9/2001	Schultz et al.
D290,773 S	7/1987	Liethen	6,305,321 B1	10/2001	Potente
D292,372 S	10/1987	Sykes	6,360,690 B1	3/2002	Canby
4,712,512 A	12/1987	Schreib et al.	6,418,878 B1	7/2002	Cathell et al.
4,732,112 A	3/1988	Fenner et al.	D461,827 S	8/2002	Koebbe
4,798,172 A	1/1989	Clarke	6,427,629 B1	8/2002	Lush
D299,770 S	2/1989	Coffer	6,450,120 B1	9/2002	Nylen
4,821,681 A	4/1989	Tucker	D466,255 S	11/2002	Kuelbs
4,896,628 A	1/1990	Kadunce	D466,656 S	12/2002	Kuelbs et al.
4,901,673 A	2/1990	Overstreet	D470,630 S	2/2003	Kuelbs
4,938,168 A	7/1990	Meidell	D471,327 S	3/2003	Kuelbs
D309,858 S	8/1990	Meyersburg	6,543,384 B2	4/2003	Cote
			6,546,894 B2	4/2003	Chrisco et al.
			6,561,128 B1	5/2003	Carter
			6,584,933 B1	7/2003	Stone
			6,591,781 B2	7/2003	Hardison

(56)

References Cited

U.S. PATENT DOCUMENTS

D478,475 S	8/2003	Backes et al.	
D481,819 S *	11/2003	Cheong et al.	D26/72
6,659,041 B1	12/2003	Curts	
D485,930 S	1/2004	Chen	
D487,809 S *	3/2004	Leung et al.	D26/40
6,701,867 B1	3/2004	Garrison	
D490,576 S	5/2004	Rich et al.	
D491,019 S	6/2004	Marsden et al.	
D491,302 S *	6/2004	Krieger et al.	D26/40
D492,437 S *	6/2004	Hon et al.	D26/67
D493,053 S	7/2004	Snell	
D495,900 S	9/2004	Mayse	
D496,119 S *	9/2004	Bucher et al.	D26/67
6,789,916 B2	9/2004	Ruggles	
6,792,891 B1	9/2004	Coburn et al.	
D497,226 S	10/2004	Nauert	
D497,406 S	10/2004	King	
D497,458 S	10/2004	Nauert	
D499,503 S *	12/2004	Hon et al.	D26/67
6,830,009 B1	12/2004	Kuelbs	
D503,006 S *	3/2005	May et al.	D26/40
D503,019 S	3/2005	Swift et al.	
6,866,004 B1	3/2005	Lush	
D504,547 S	4/2005	Nauert	
D504,746 S	5/2005	Lee	
D505,216 S *	5/2005	Chen	D26/40
D505,521 S	5/2005	Schrodt	
D505,755 S	5/2005	Lundstrom et al.	
6,895,894 B2	5/2005	Fort, II	
6,901,882 B2	6/2005	Kuelbs	
6,945,192 B2	9/2005	Cote	
D511,866 S	11/2005	Lundstrom et al.	
D512,800 S	12/2005	Jung et al.	
6,986,322 B2	1/2006	Lumpkin et al.	
D515,916 S	2/2006	Bleuer	
7,017,517 B2	3/2006	Paquette	
7,017,521 B2	3/2006	Kuelbs	
D518,380 S	4/2006	Moran	
7,032,538 B1	4/2006	Lush	
D521,167 S *	5/2006	Krieger et al.	D26/40
D522,682 S *	6/2006	Burke	D26/67
D523,141 S	6/2006	Massey	
D524,490 S	7/2006	Obenshain	
D527,128 S *	8/2006	Lo et al.	D26/40
7,096,821 B2	8/2006	Ruff	
D528,692 S *	9/2006	Chen	D26/67
D530,034 S *	10/2006	Hon et al.	D26/67
D531,341 S *	10/2006	Chen	D26/67
D532,141 S *	11/2006	Chen	D26/67
D533,293 S *	12/2006	Chen	D26/67
D533,294 S *	12/2006	Chen	D26/67
D533,295 S *	12/2006	Chen	D26/67
D533,676 S *	12/2006	Hon et al.	D26/67
D535,425 S *	1/2007	Chen	D26/67
7,162,975 B1 *	1/2007	Nauert	119/72
7,168,392 B2	1/2007	Kuelbs	
D538,455 S *	3/2007	Lo et al.	D26/40
7,185,605 B1	3/2007	Lush	
D539,957 S *	4/2007	Luo	D26/67
D540,349 S	4/2007	Waki	
D541,453 S *	4/2007	Lau	D26/40
D542,659 S	5/2007	Meether et al.	
D543,256 S	5/2007	Chen	
D544,942 S	6/2007	Chen	
7,234,416 B2	6/2007	Hoff	
D545,984 S *	7/2007	Leung et al.	D26/40
D546,488 S *	7/2007	Poon	D26/40
D546,991 S *	7/2007	Poon	D26/40
D548,587 S	8/2007	DuVal et al.	
D548,870 S *	8/2007	Richmond	D26/67
7,258,075 B1	8/2007	Jones et al.	
D550,891 S *	9/2007	Miranda	D26/85
7,287,486 B2	10/2007	Hunter	
D556,568 S	12/2007	DuVal	
D556,928 S *	12/2007	Poon	D26/40
D557,848 S *	12/2007	Chen	D26/67
D557,849 S *	12/2007	Chen	D26/67
D557,850 S *	12/2007	Chen	D26/67
D559,422 S *	1/2008	Sooferian	D26/68
D561,021 S	2/2008	DuVal et al.	
D561,040 S	2/2008	Sequeira	
D563,586 S *	3/2008	Lee et al.	D26/67
D567,098 S	4/2008	Sequeira	
D567,984 S *	4/2008	Chen	D26/67
D568,754 S	5/2008	Sequeira	
7,370,607 B2	5/2008	O'Dell	
7,373,901 B2	5/2008	Baynard	
D574,103 S *	7/2008	Minami et al.	D26/67
D574,534 S *	8/2008	Lastimoso	D26/67
D574,536 S *	8/2008	Sanoner	D26/67
D574,537 S *	8/2008	Sanoner	D26/67
D575,118 S	8/2008	Bignon	
D575,429 S *	8/2008	Shiu	D26/40
D575,591 S	8/2008	Bonetti	
7,409,922 B1	8/2008	Baynard et al.	
D576,329 S *	9/2008	Poon	D26/40
7,448,346 B1	11/2008	Stone et al.	
7,484,475 B2	2/2009	Milliner	
7,503,282 B1	3/2009	Lush	
7,506,611 B1	3/2009	Lush	
D591,589 S	5/2009	Myers et al.	
D592,046 S	5/2009	Myers et al.	
7,530,330 B1	5/2009	Valle	
D594,586 S *	6/2009	Chen	D26/67
D594,587 S *	6/2009	Chen	D26/67
7,540,260 B2	6/2009	Rich et al.	
7,540,262 B2	6/2009	Kuelbs	
D596,033 S	7/2009	Zach et al.	
D599,159 S	9/2009	Stein	
D599,933 S *	9/2009	van Klinken	D26/67
D599,938 S *	9/2009	Sabernig	D26/67
D600,391 S *	9/2009	Sabernig	D26/67
D603,996 S *	11/2009	Chen	D26/67
D604,436 S *	11/2009	Poon	D26/40
D604,441 S *	11/2009	Chen	D26/67
7,610,875 B2	11/2009	Webber	
D605,803 S *	12/2009	Chen	D26/67
D606,447 S	12/2009	West et al.	
D607,612 S	1/2010	Yang	
D609,864 S	2/2010	Tsai	
7,654,225 B2	2/2010	Madsen et al.	
7,669,553 B2	3/2010	White et al.	
D616,131 S *	5/2010	Chen	D26/67
D616,133 S *	5/2010	Chen	D26/67
7,726,259 B2	6/2010	Hepp et al.	
7,743,732 B2	6/2010	Webber	
D623,805 S	9/2010	Vosbikian	
7,798,099 B2	9/2010	Vosbikian	
7,874,264 B2	1/2011	McMullen	
D636,238 S	4/2011	Elmelund	
7,930,994 B2	4/2011	Stone et al.	
D638,588 S	5/2011	Vosbikian	
D640,407 S *	6/2011	Chen	D26/67
7,958,845 B2	6/2011	Gardner	
D643,442 S	8/2011	Sato et al.	
D643,855 S	8/2011	Taniguchi et al.	
7,997,434 B2	8/2011	Benetti	
8,006,642 B2	8/2011	Vosbikian	
D649,299 S	11/2011	Lush	
D649,302 S	11/2011	Hickok	
D650,105 S *	12/2011	Crawford et al.	D26/41
D652,059 S	1/2012	Sato et al.	
D656,690 S	3/2012	Tu	
D657,399 S	4/2012	Nemoto	
8,156,894 B1	4/2012	Krah	
D658,684 S	5/2012	Roman	
D663,457 S *	7/2012	Ho et al.	D26/67
D664,437 S	7/2012	Barel	
8,230,809 B2	7/2012	Cote	
8,245,666 B2	8/2012	Sena et al.	
D670,013 S *	10/2012	Bertken	D26/40
8,276,541 B2	10/2012	LoRocco et al.	
D671,276 S	11/2012	Krueger	
D671,277 S	11/2012	Vosbikian et al.	

(56)

References Cited

OTHER PUBLICATIONS

U.S. PATENT DOCUMENTS

D671,692	S	11/2012	Carter	
8,347,818	B2	1/2013	Cowger et al.	
D676,614	S	2/2013	Fields et al.	
D676,995	S *	2/2013	Ho et al.	D26/67
D677,016	S	2/2013	Carter	
D678,574	S *	3/2013	Chen	D26/67
D678,575	S *	3/2013	Chen	D26/67
D678,628	S	3/2013	Krueger	
8,413,605	B2	4/2013	Baynard et al.	
D689,639	S *	9/2013	Chung	D26/40
D694,931	S *	12/2013	Meyer et al.	D26/67
D698,062	S *	1/2014	Burke	D26/67
D698,502	S *	1/2014	Krueger	D30/127
D698,964	S *	2/2014	Helms et al.	D26/67
D698,965	S *	2/2014	Helms et al.	D26/67
2003/0033985	A1	2/2003	Hardison	
2003/0226514	A1	12/2003	Cote	
2004/0261726	A1	12/2004	Lumpkin	
2005/0120967	A1	6/2005	Ruff	
2005/0257749	A1	11/2005	Kuelbs	
2006/0225658	A1	10/2006	Baynard	
2006/0272585	A1	12/2006	O'Dell	
2007/0169705	A1 *	7/2007	Cote	119/52.3
2008/0022936	A1	1/2008	Stone et al.	
2008/0105206	A1	5/2008	Rich et al.	
2008/0127902	A1	6/2008	Bent et al.	
2008/0134979	A1	6/2008	Crocker	
2008/0210172	A1	9/2008	Waikas	
2008/0302304	A1	12/2008	Mayfield	
2010/0258054	A1	10/2010	Frazier	
2010/0288200	A1	11/2010	Lush	
2011/0067637	A1	3/2011	Baynard	
2011/0073043	A1	3/2011	Dault	
2011/0083610	A1 *	4/2011	Cote	119/52.3
2011/0180004	A1	7/2011	Humphries et al.	
2012/0055410	A1	3/2012	Cote	

Response to Final Office Action, U.S. Appl. No. 13/107,841, filed Jul. 8, 2013, 10 pages.

U.S. Appl. No. 29/387,517, filed Mar. 14, 2011, Krueger.

U.S. Appl. No. 29/387,518, filed Mar. 14, 2011, Krueger et al.

U.S. Appl. No. 13/107,841, filed May 13, 2011, Donegan et al.

U.S. Appl. No. 13/420,063, filed Mar. 14, 2012, Carter et al.

U.S. Appl. No. 13/420,086, filed Mar. 14, 2012, Carter et al.

Restriction Requirement, Design U.S. Appl. No. 29/387,517, mailed Oct. 12, 2011, 4 pages.

Response to Restriction, Design U.S. Appl. No. 29/387,517, filed Dec. 12, 2011, 2 pages.

Non-Final Office Action, Design U.S. Appl. No. 29/387,517, mailed Mar. 12, 2012, 7 pages.

Response to Non-Final Office Action, Design U.S. Appl. No. 29/387,517, filed Jun. 12, 2012, 13 pages.

Notice of Allowance, Design U.S. Appl. No. 29/387,517, mailed Jul. 3, 2012, 11 pages.

Non-Final Office Action, U.S. Appl. No. 13/107,841, mailed Jun. 27, 2012, 9 pages.

Restriction Requirement, Design U.S. Appl. No. 29/416,890 filed Aug. 4, 2012, 5 pages.

Response to Restriction Requirement, Design U.S. Appl. No. 29/416,890 filed Sep. 4, 2012, 13 pages.

U.S. Appl. No. 13/855,523, filed Apr. 2, 2013, Donegan et al.

U.S. Appl. No. 13/855,565, filed Apr. 2, 2013, Donegan et al.

Response to Non-Final Office Action, U.S. Appl. No. 13/107,841, filed Nov. 27, 2012, 21 pages.

Notice of Allowance, U.S. Appl. No. 29/387,518, mailed Dec. 21, 2012, 24 pages.

Notice of Allowance, U.S. Appl. No. 29/416,890, mailed Dec. 20, 2012, 24 pages.

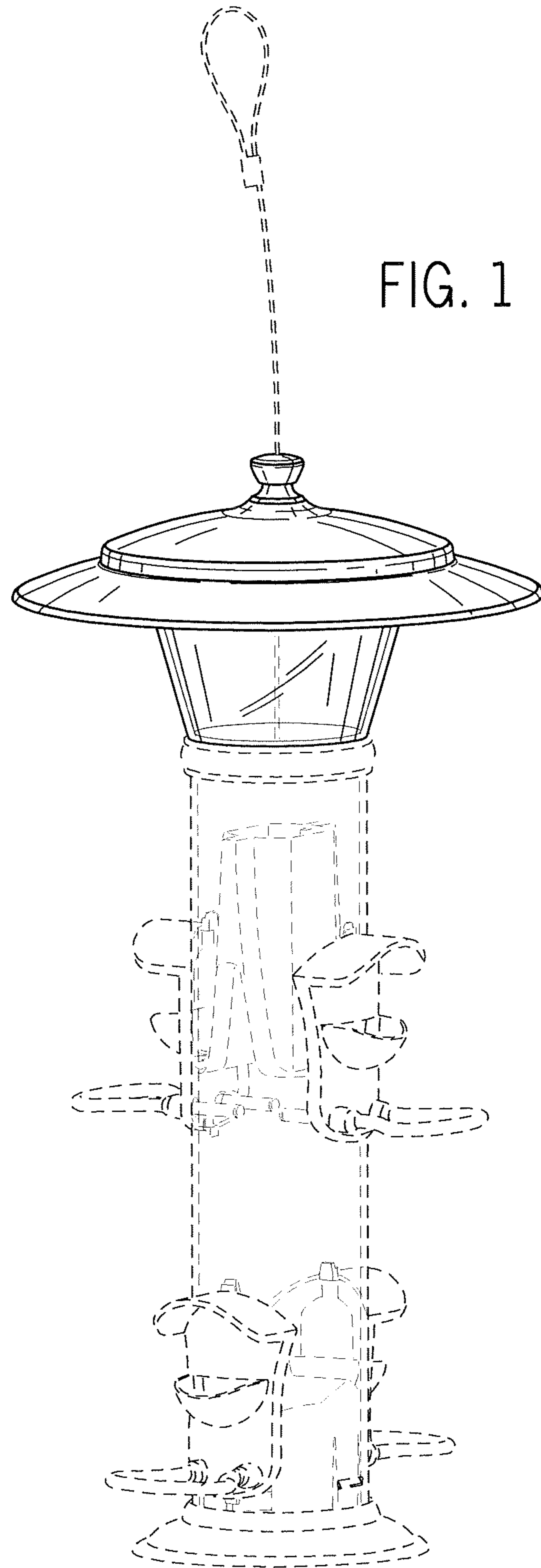
Final Office Action, U.S. Appl. No. 13/107,841, mailed Jan. 9, 2013, 22 pages.

U.S. Appl. No. 29/437,624, filed Nov. 19, 2012, Krueger.

U.S. Appl. No. 29/438,289, filed Nov. 28, 2012, Bruno et al.

U.S. Appl. No. 29/438,291, filed Nov. 28, 2012, Bruno et al.

* cited by examiner



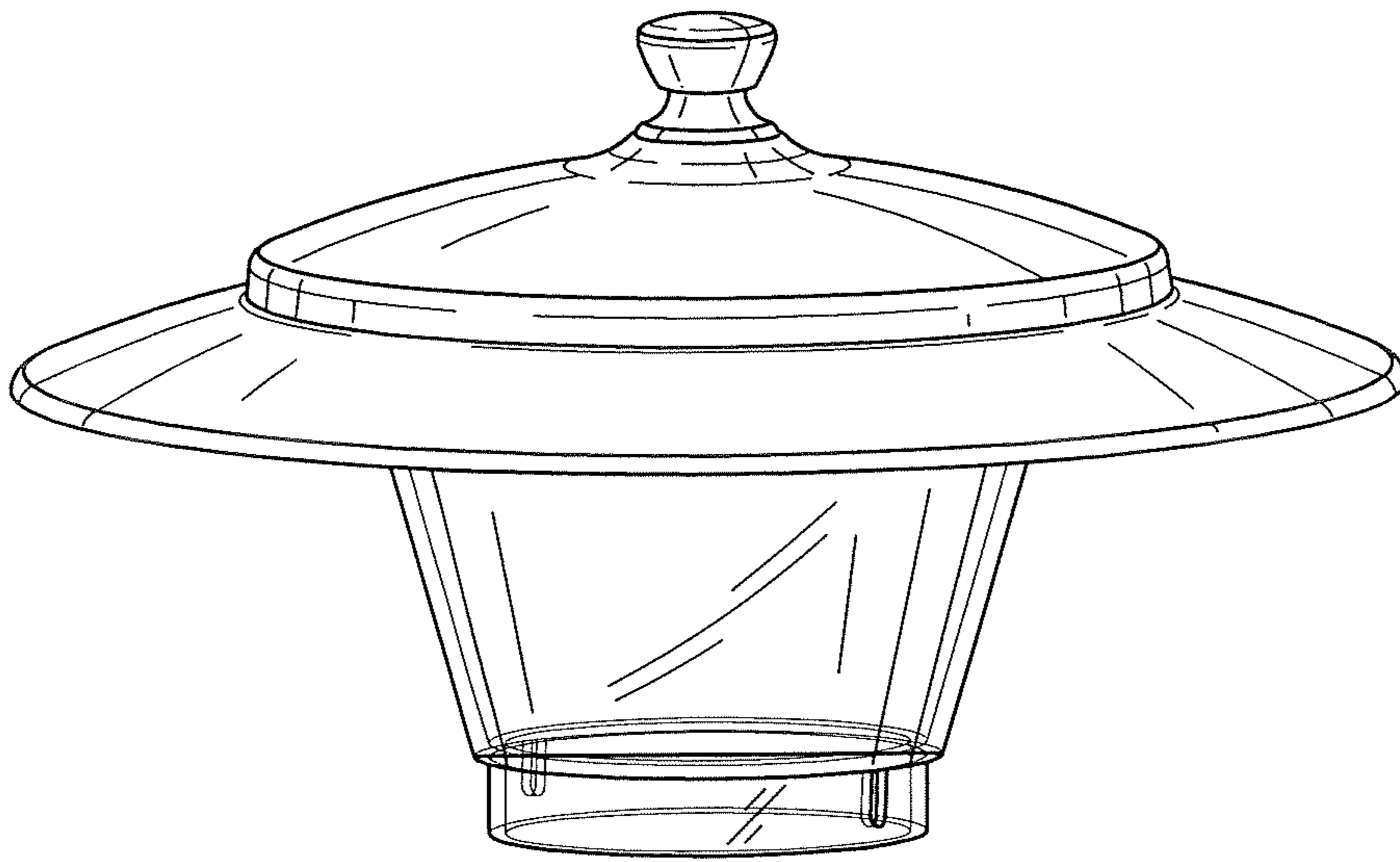


FIG. 2

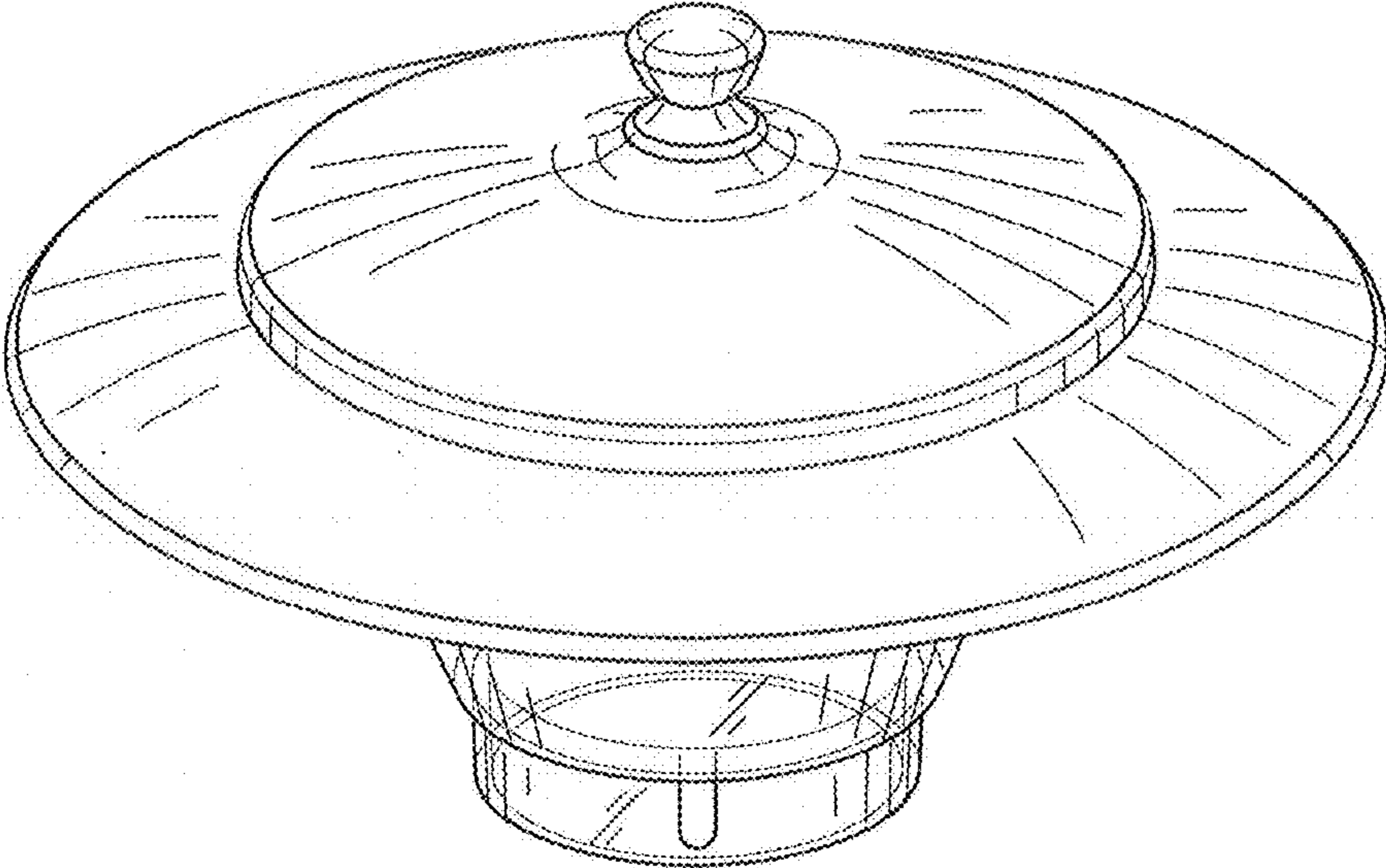


FIG. 3

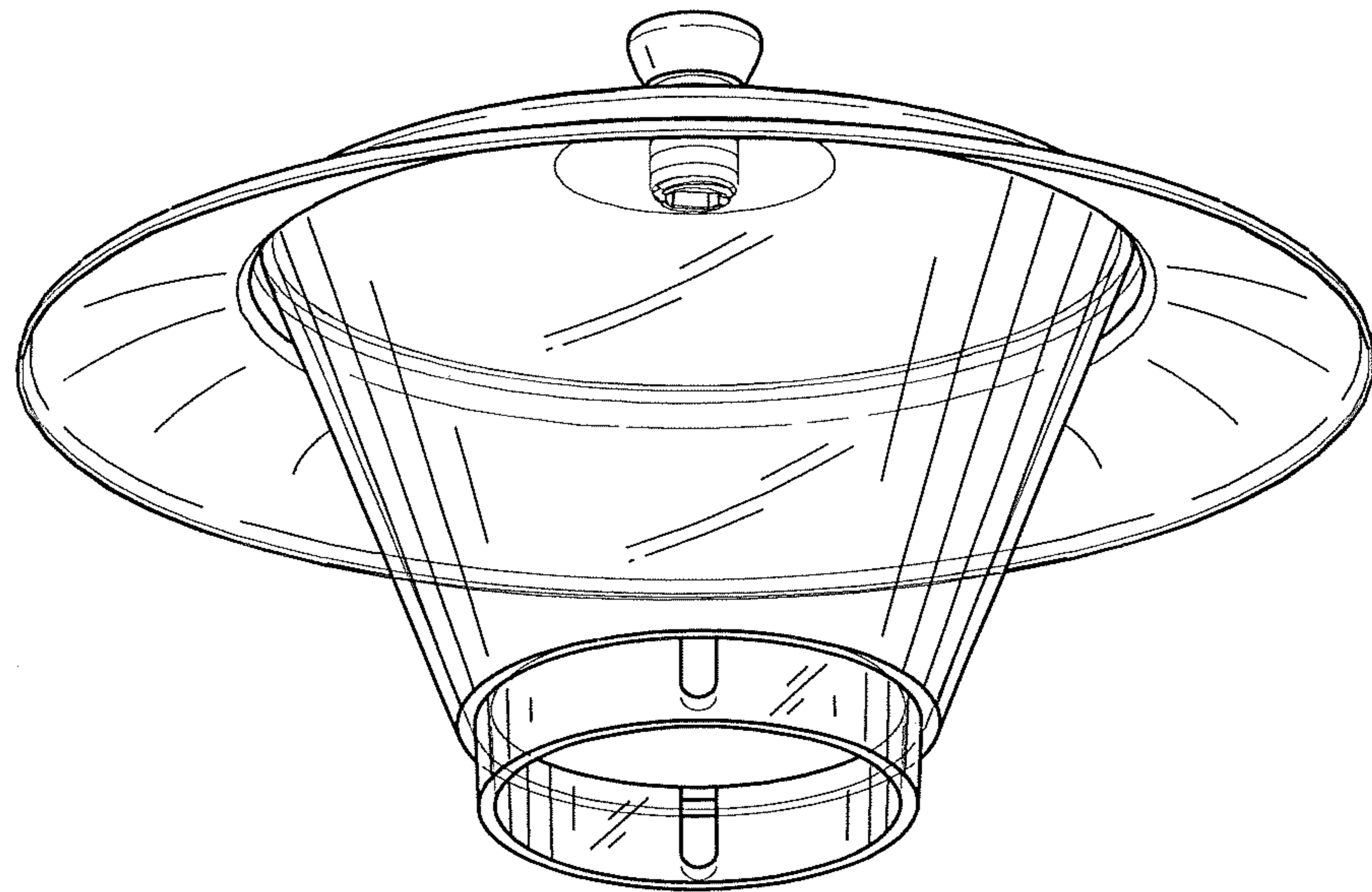


FIG. 4

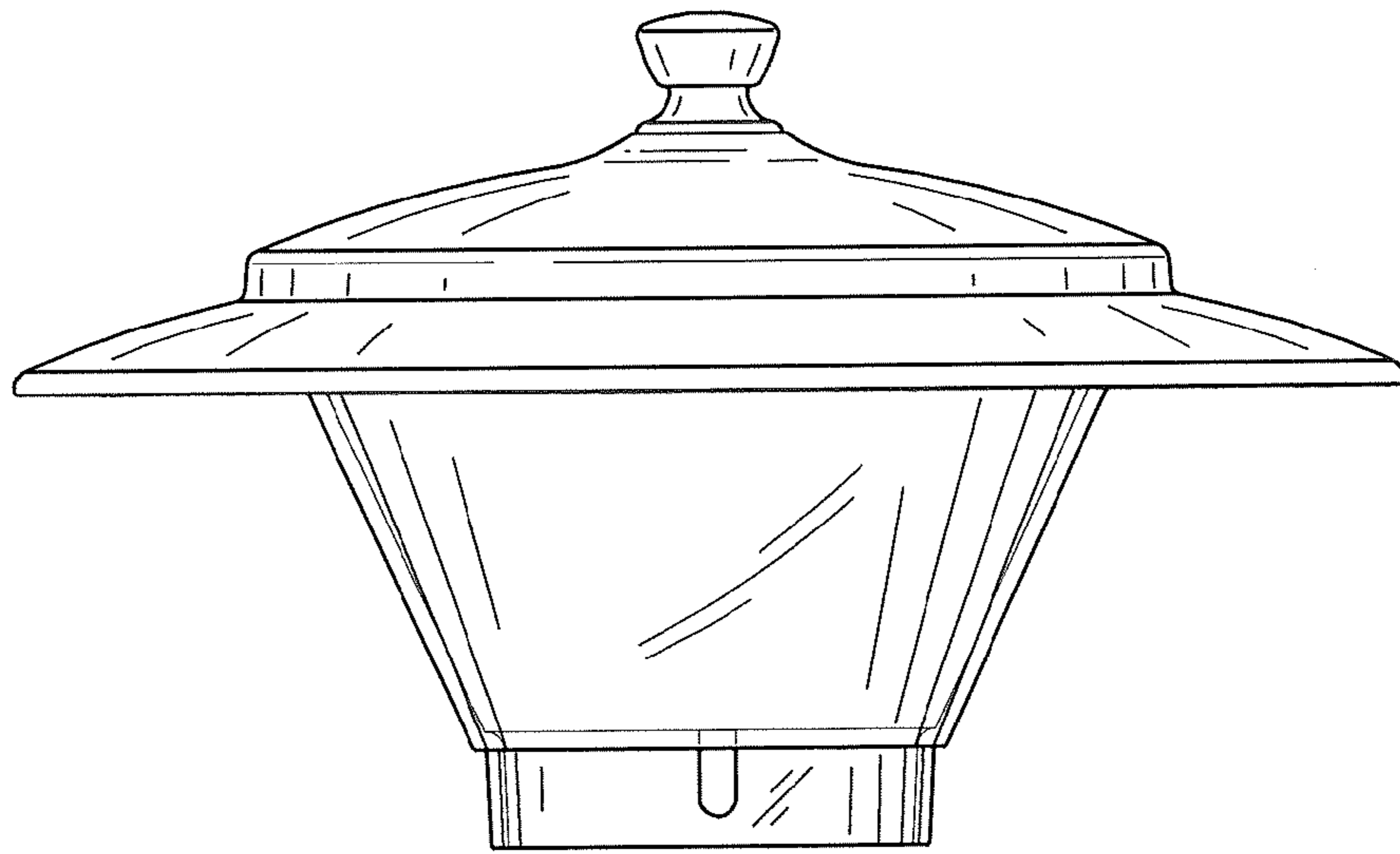


FIG. 5

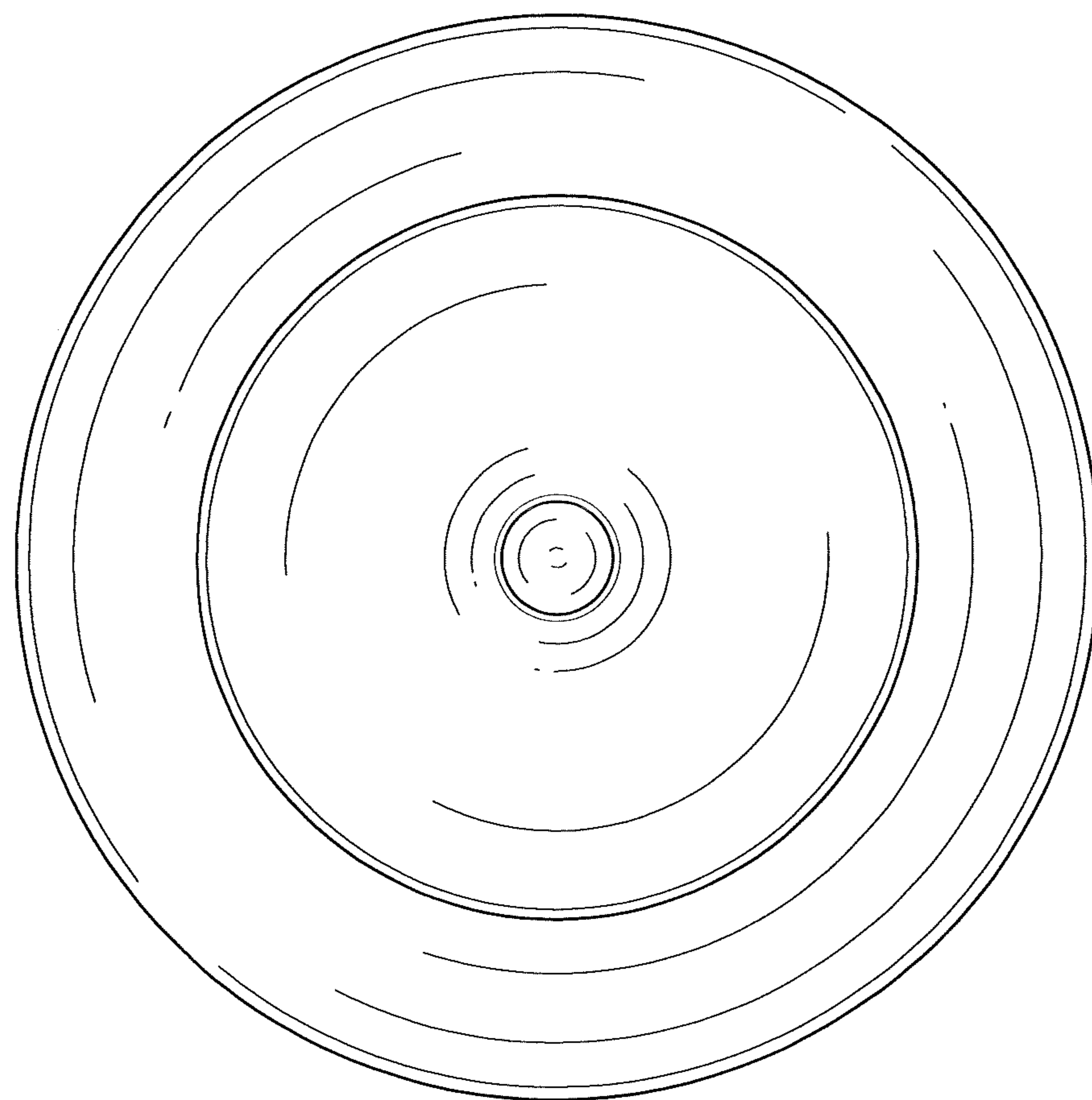


FIG. 6

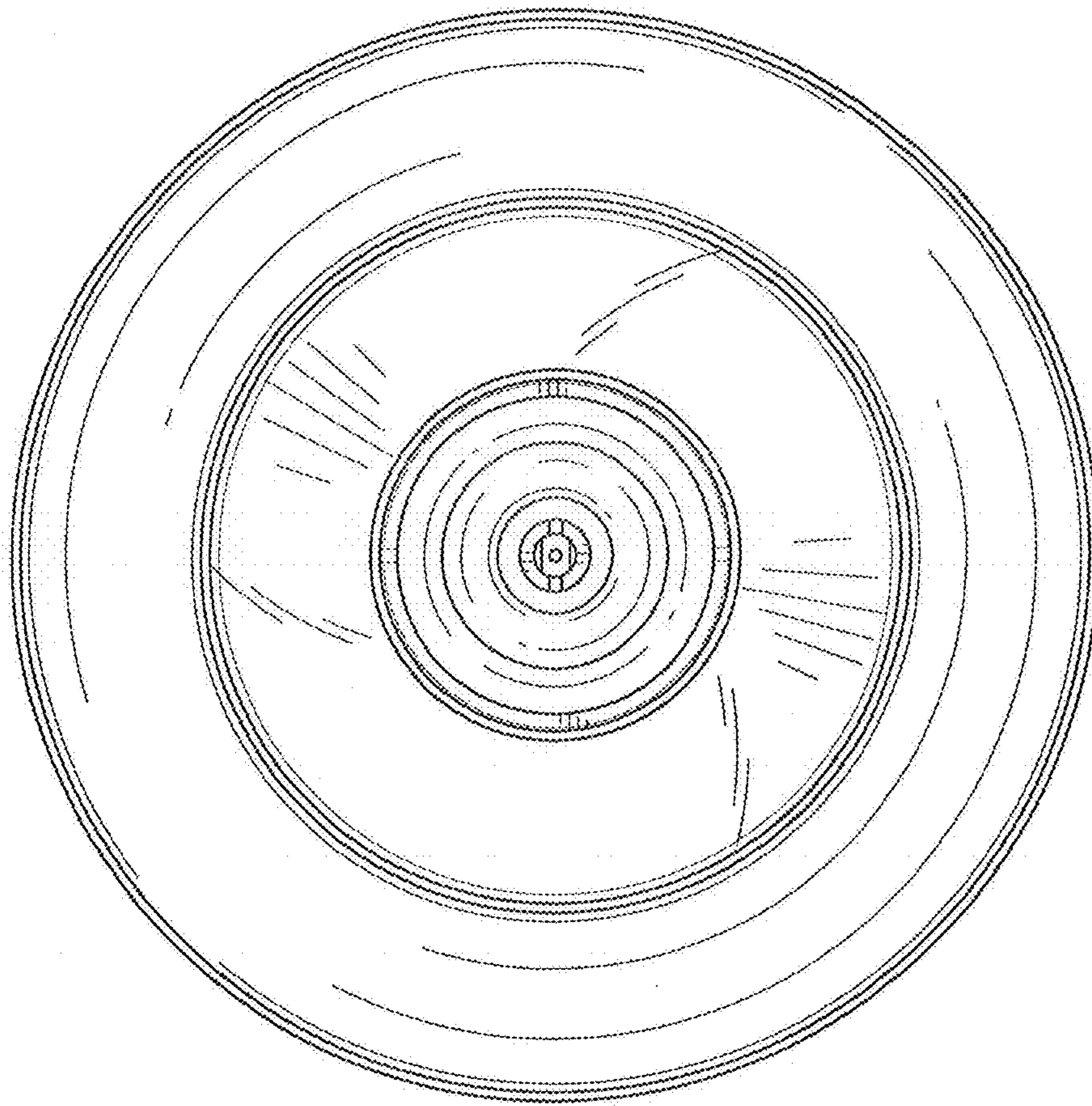


FIG. 7