



US00D708393S

(12) **United States Design Patent**
Clerch

(10) **Patent No.:** **US D708,393 S**

(45) **Date of Patent:** **** Jul. 1, 2014**

(54) **HAND DRYER**

(75) Inventor: **Luis Sau Clerch**, Barcelona (ES)

(73) Assignee: **Mediclinics, S.A.**, Barcelona (ES)

(**) Term: **14 Years**

(21) Appl. No.: **29/404,138**

(22) Filed: **Oct. 17, 2011**

(30) **Foreign Application Priority Data**

Apr. 19, 2011 (EM) 001852757-0001

(51) **LOC (10) Cl.** **28-03**

(52) **U.S. Cl.**
USPC **D28/54.1**

(58) **Field of Classification Search**
USPC D28/12, 54.1, 58; 34/266, 201, 202;
392/381, 380; D23/357, 361, 385
See application file for complete search history.

(56) **References Cited**

U.S. PATENT DOCUMENTS

D533,305 S * 12/2006 Takahashi et al. D28/54.1
D542,474 S * 5/2007 Churchill et al. D28/54.1

D548,399 S * 8/2007 Nikaido et al. D28/54.1
D664,299 S * 7/2012 Ishida D28/54.1
D676,603 S * 2/2013 Ishikawa D28/54.1
D683,075 S * 5/2013 Ishida et al. D28/54.1

* cited by examiner

Primary Examiner — Zenia Bennett

(74) *Attorney, Agent, or Firm* — Sturm & Fix LLP

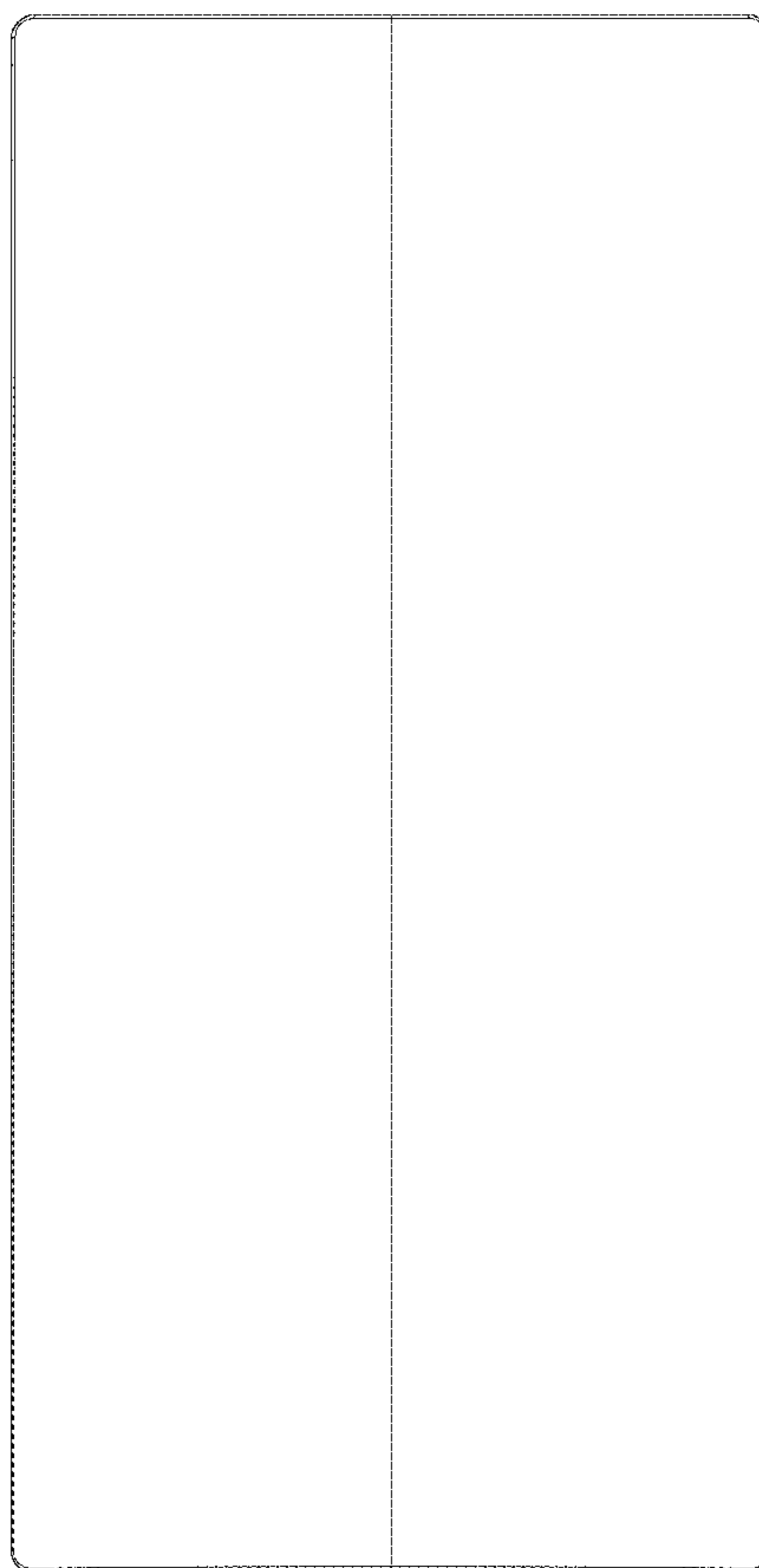
(57) **CLAIM**

The Ornamental design for a hand dryer, as shown and described.

DESCRIPTION

FIG. 1 is a front view of the hand dryer showing my new design;
FIG. 2 is a right side view of the hand dryer;
FIG. 3 is a left side view of the hand dryer;
FIG. 4 is a right, rear perspective view of the hand dryer;
FIG. 5 is another right, rear perspective view of the hand dryer;
FIG. 6 is a left perspective view of the hand dryer;
FIG. 7 is a rear view of the hand dryer;
FIG. 8 is a bottom view of the hand dryer; and,
FIG. 9 is a top plan view of the hand dryer.

1 Claim, 9 Drawing Sheets



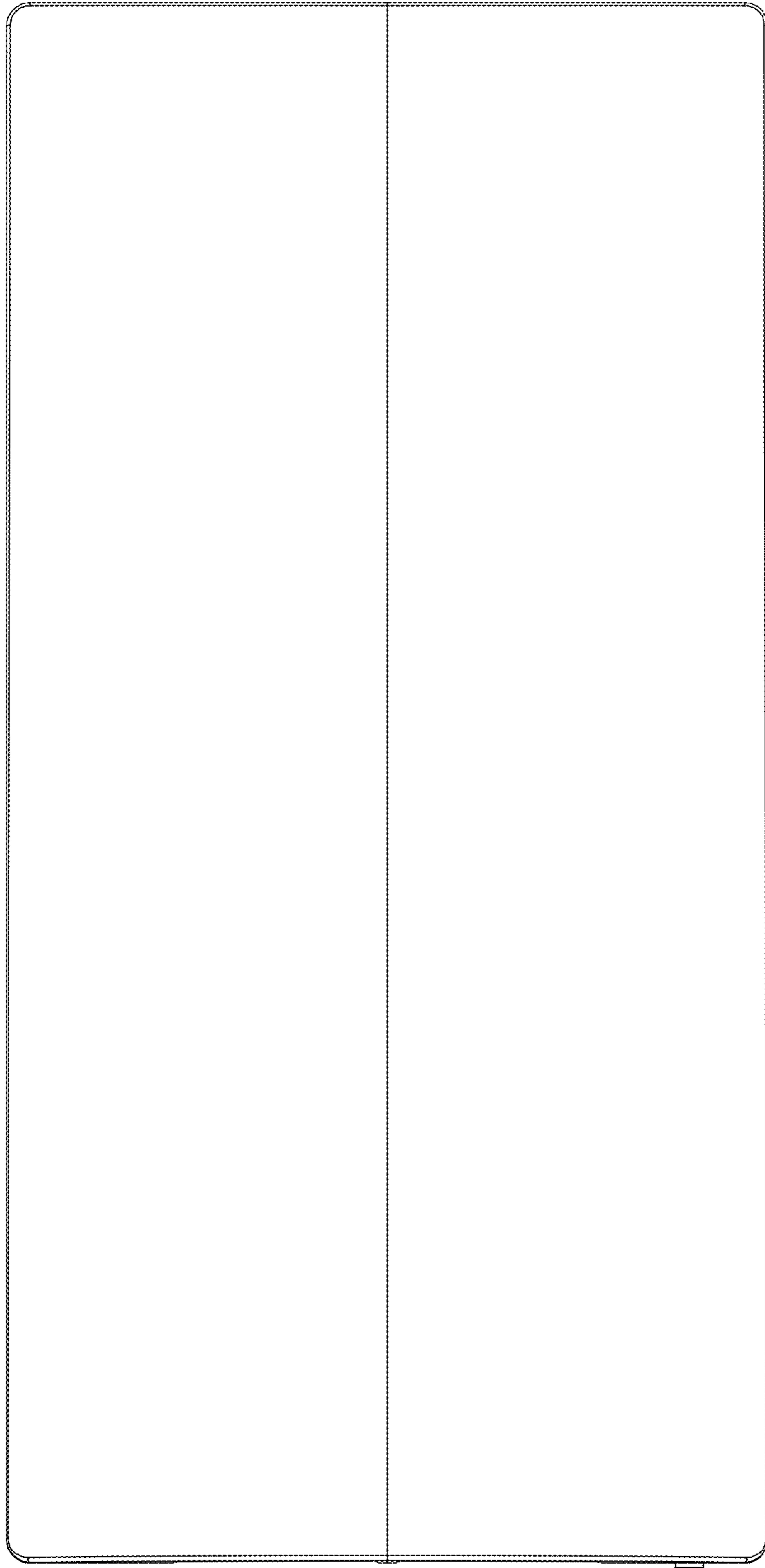


FIG. 1

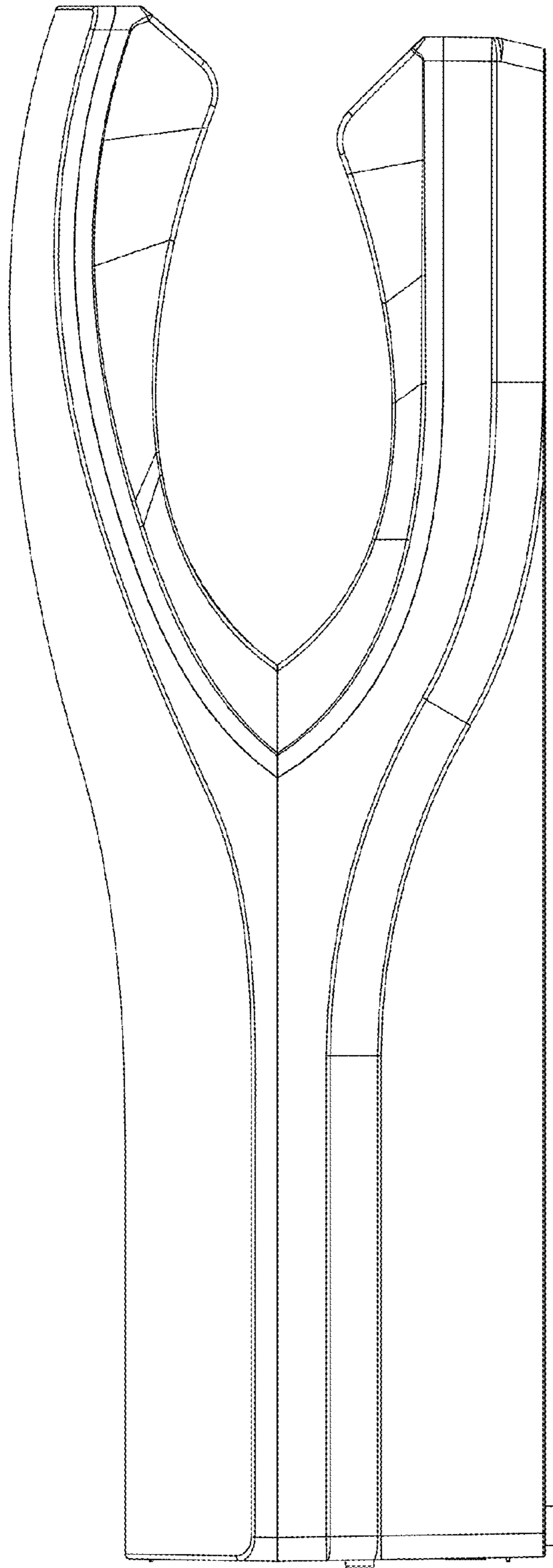


FIG. 2

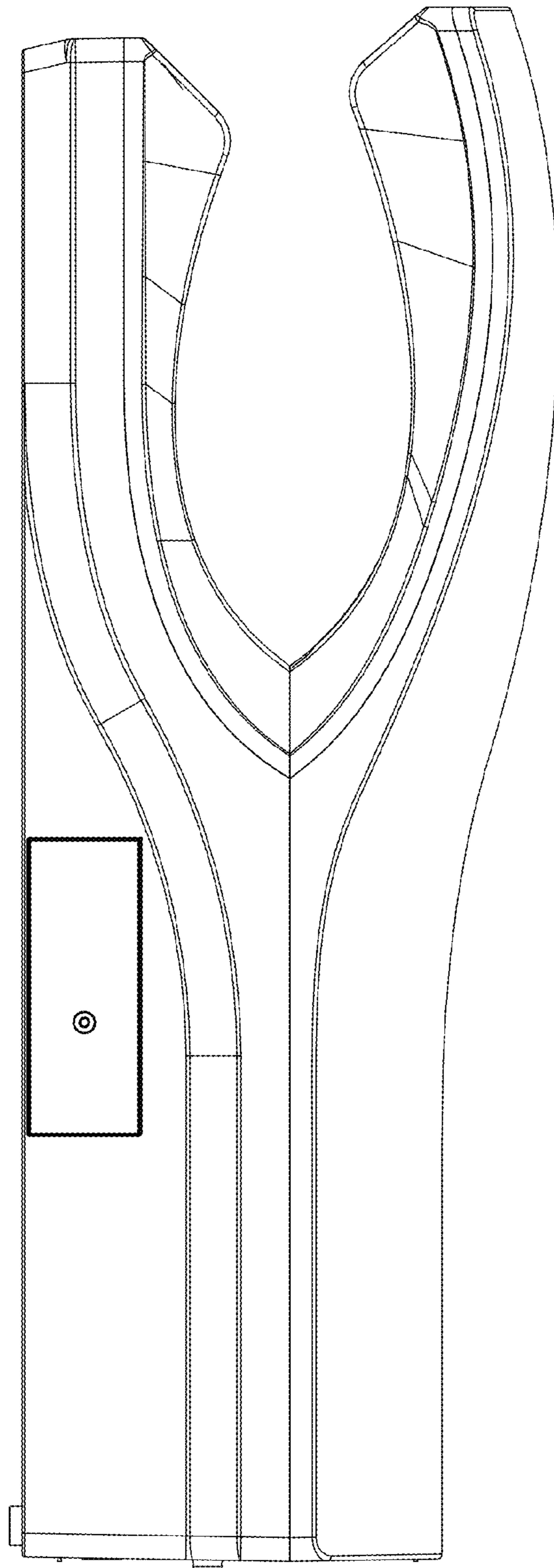


FIG. 3

FIG. 4

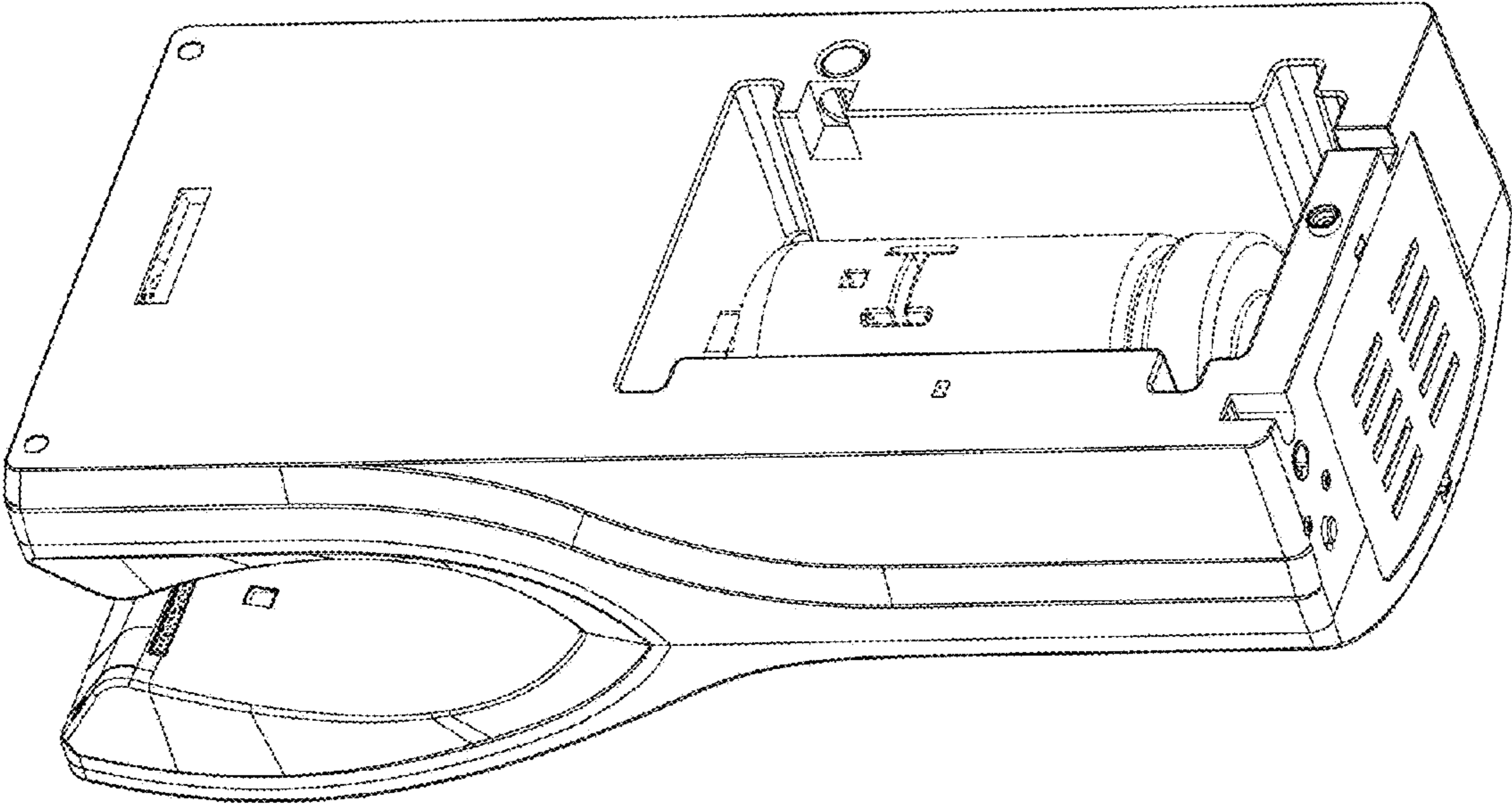


FIG. 5

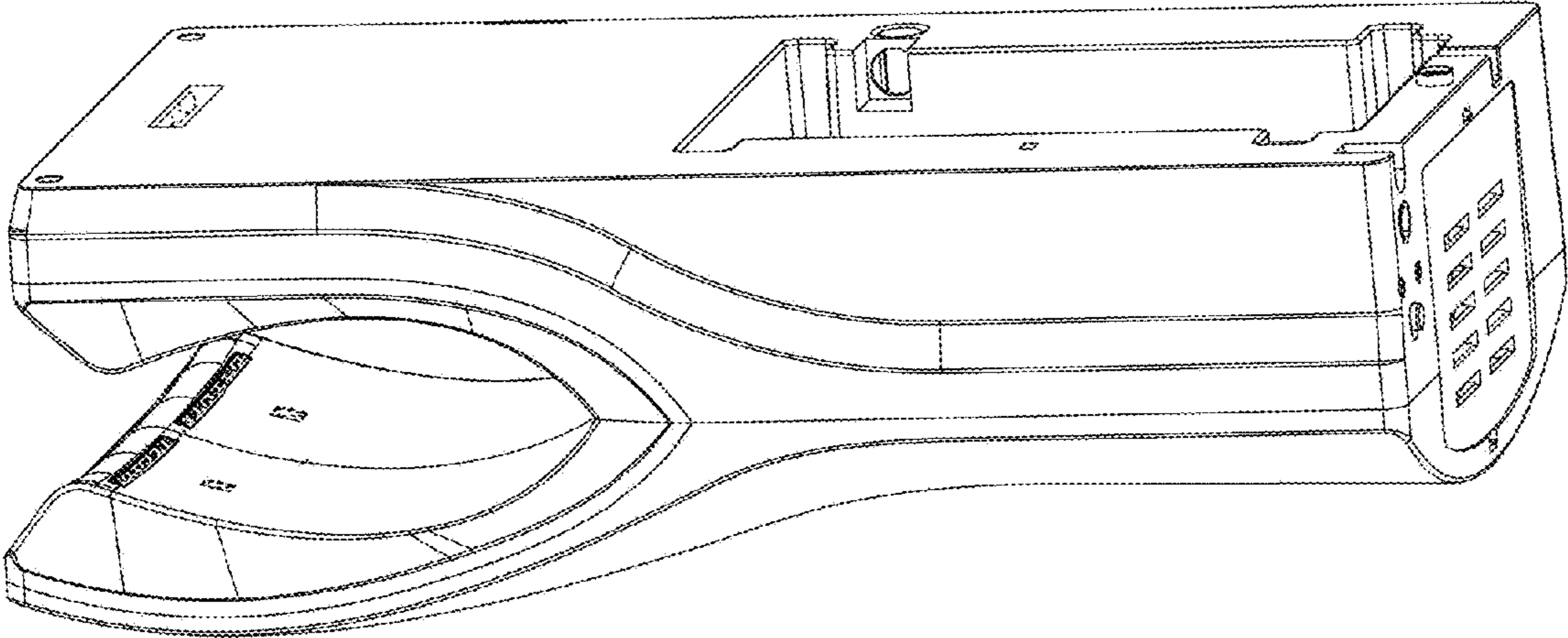


FIG. 6

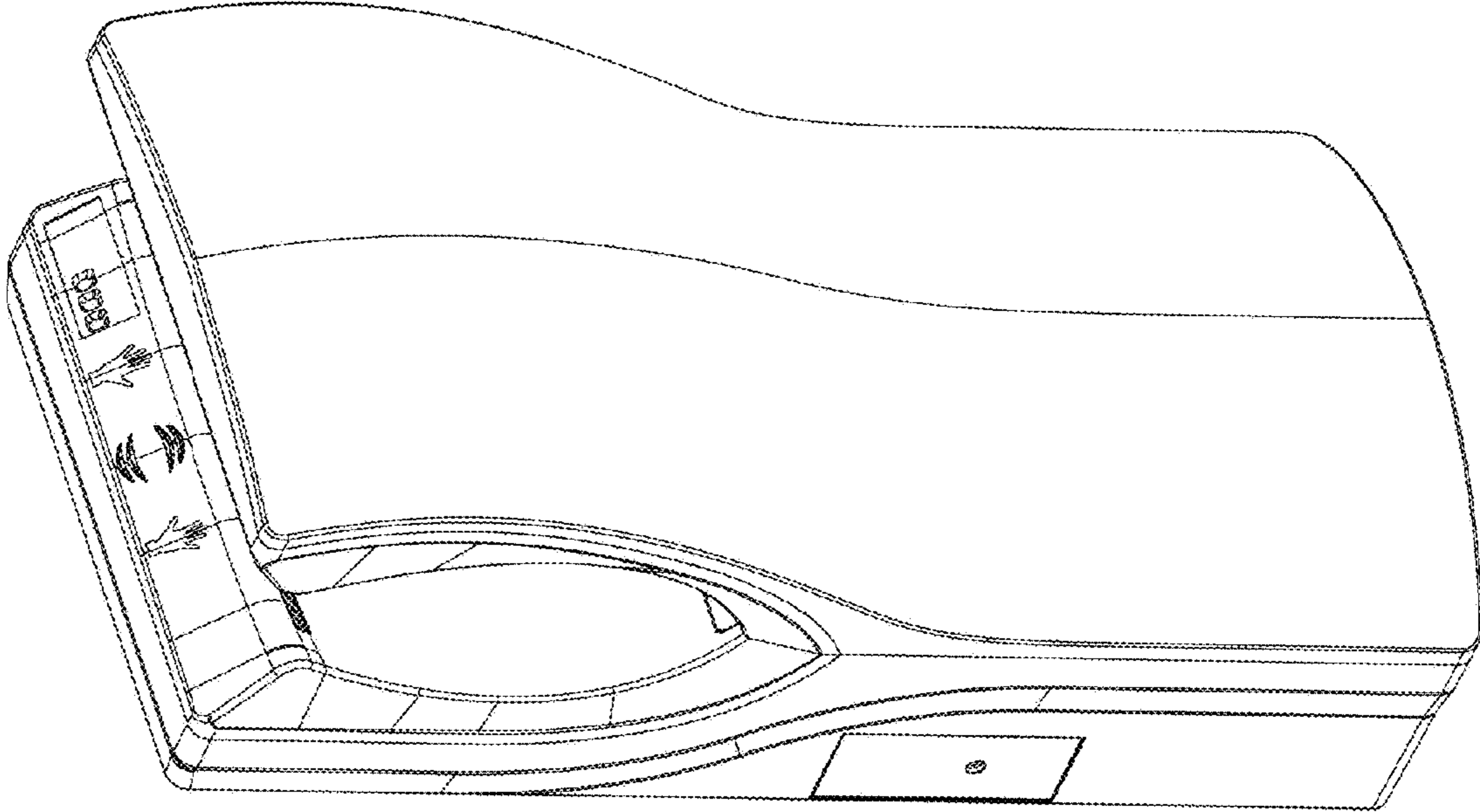
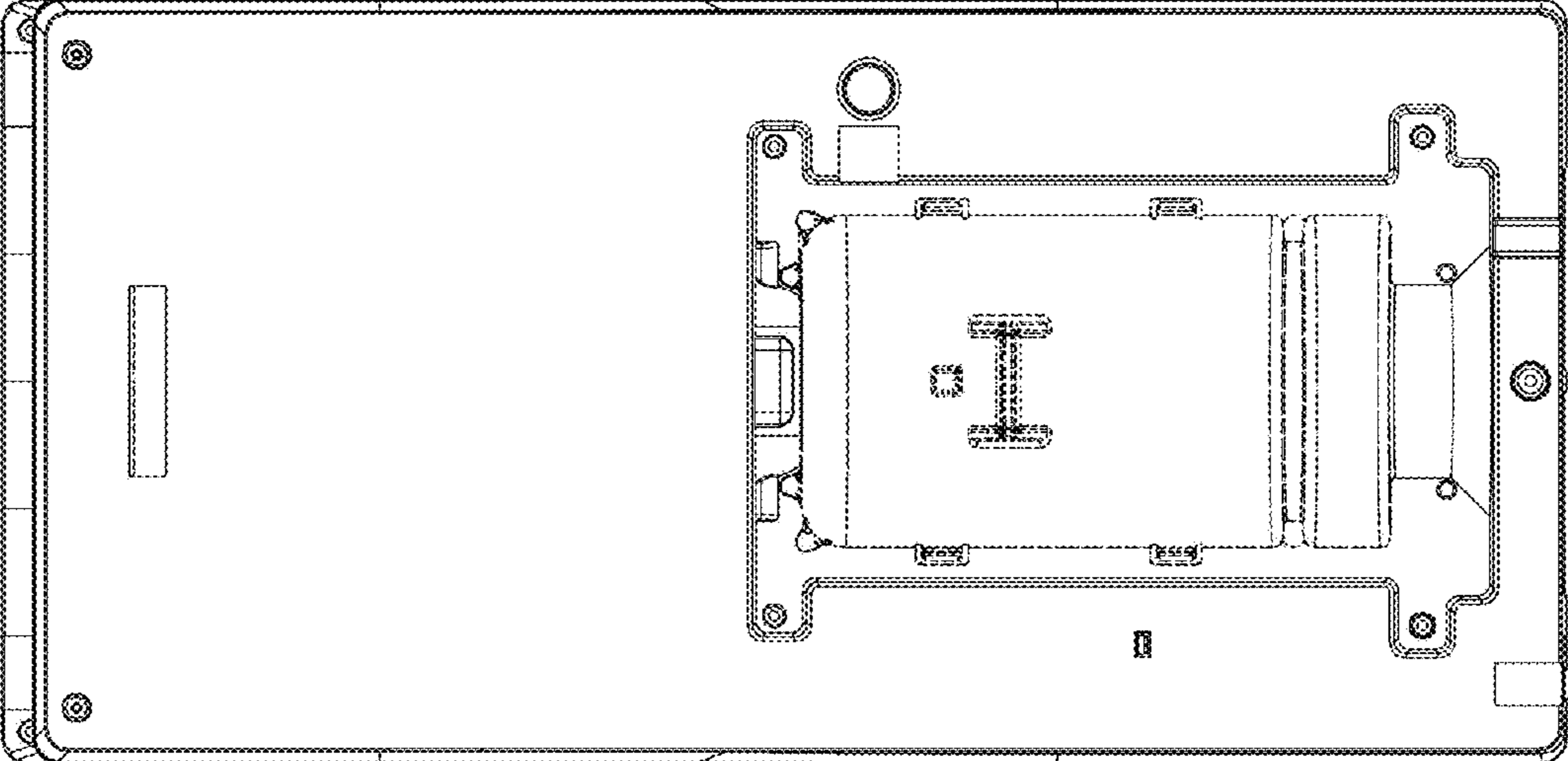


FIG. 7



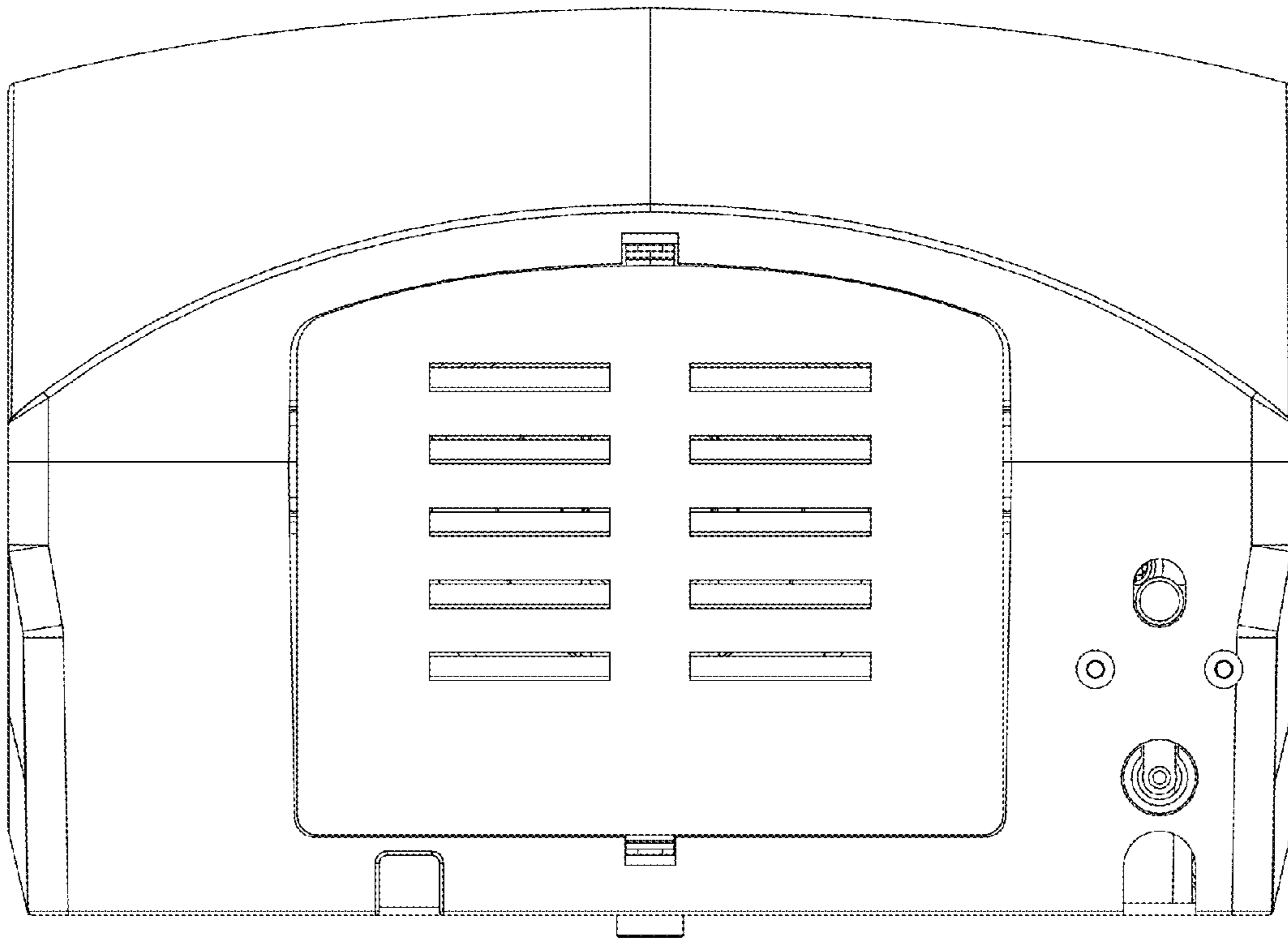


FIG. 8

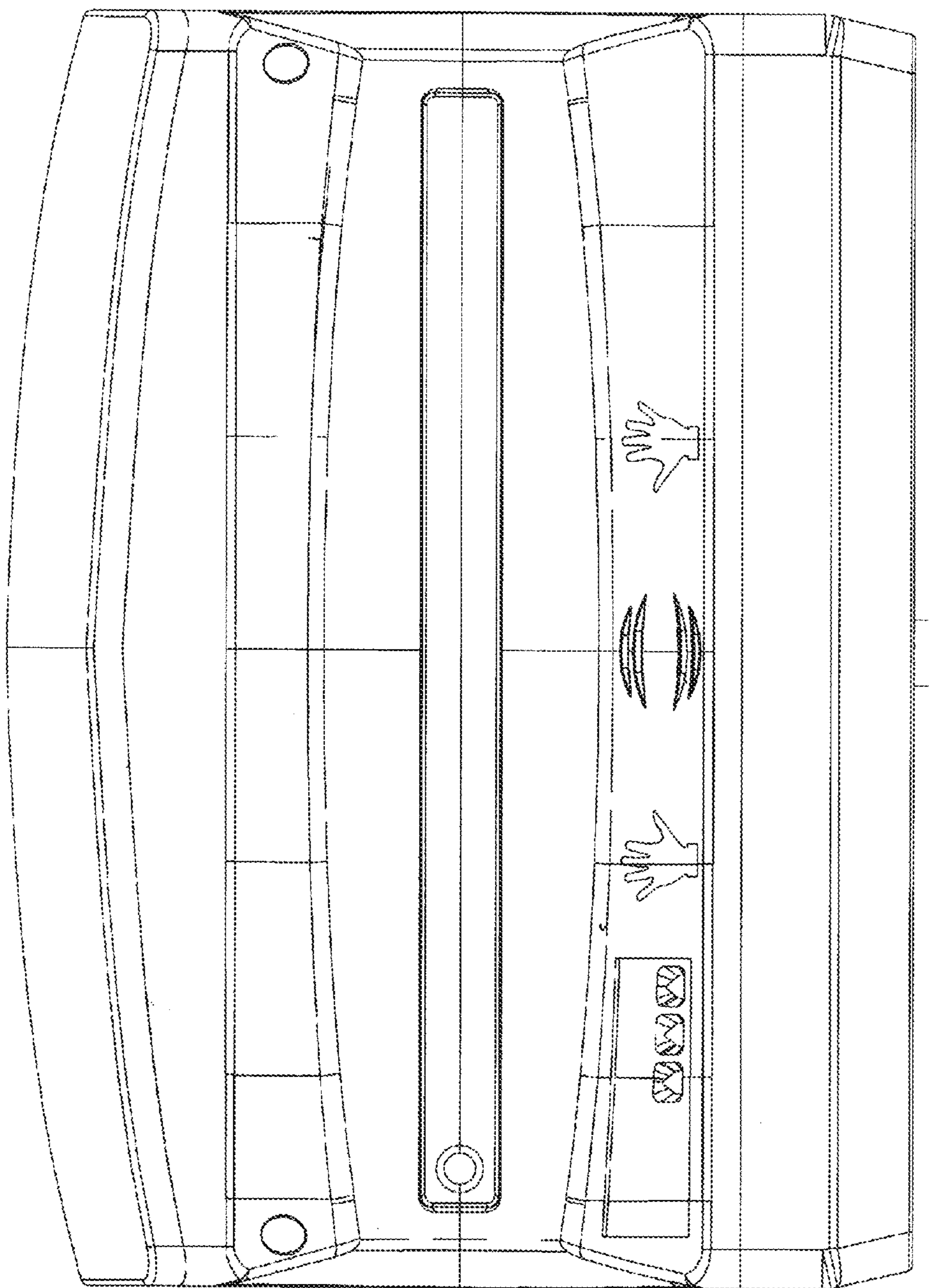


FIG. 9